

ZN-DT352VE

H.264 Megapixel Indoor/Outdoor Dome IP Camera

Megapixel high quality and performance H.264 compression networking camera.

- H.264, Up to 1600 x 1200
- Video Compression: H.264, MPEG-4, MJPEG
- Dual Stream
- Embedded Intelligent Video Analytics
- Burnt-in Text, Video Motion Detection Support
- Two-way Audio
- microSD Memory Support
- IP66 Support
- Remote Firmware Upgrade over Network
- Comprehensive SDK Support



Intelligent Video Analytics included

Specifications

Camera Module	
Image Sensor	Aptina (Micron) 1/3.2" (4:3) CMOS 2M
Effective Pixels	1600 x 1200 (UXGA, 2M)
Scanning System	Progressive Scan
Dynamic Range	71dB
S/N Ratio	Max 42.3dB
Minimum Illumination	0.5 Lux(50IRE), 0.1 Lux(DSS x5 ON)
Lens	3.3~12 mm F1.6 Manual Iris
Day & Night	S/W
Video	
Megapixel Compression	H.264, MJPEG
Number of Streams	Dual Stream, Configurable
Resolution	UXGA, SXGA, HD720, XGA, D1, 4CIF, VGA, CIF, QVGA, QCIF (See Manuals for Detail Information)
Compression FPS <small>(In case of VCA or Burnt In Annotation on, fps could be decreased)</small>	H.264 5 fps@UXGA (1600 x 1200) 8 fps@SXGA (1280 x 1024) 12 fps@HD720 (1280 x 720) 15 fps@XGA (1024 x 768), D1 (720 x 480) MPEG-4 15 fps@D1 (720 x 480) MJPEG 15 fps@UXGA (1600 x 1200)
Motion Detection	Built-in (DSP)
Burnt-in Text	Video stream overlay text (DSP)
Audio	
Input	1 channel
Output	1 channel
Compression Format	G.711
Function	
Digital Input	1
Digital Output	1
Serial port	RS485
Network	10 / 100 Base-T
Protocol	TCP/IP, UDP/IP, HTTP, RTSP, RTP, RTP/UDP, RTP/TCP, SNTP, mDNS, UPnP, SMTP, SOCK, IGMP, DHCP, DDNS, SSL v2/v3, IEEE 802.1X, SSH, SNMP v2/v3
SD Memory Card Slot	Optional, microSD up to 8GB
Electrical	
Power Source	12V DC
Power over Ethernet	Support, IEEE 802.3af
Power Consumption (Approx)	270 mA @ 12V DC
Environmental	
Operating Temperature	-10 °C ~ 50 °C (14 °F ~ 122 °F)
Operating Humidity	Up to 85% RH, Non-condensing
Mechanical	
Material	Aluminum Die Casting / Polycarbonate
Color	Ivory
Dimension	Housing: 150(ø) x 113(H) mm, Dome: 100(ø) mm
Weight (Approx)	1,170 g

Primary Intelligent Video Analytics (Included as Standard)

High Performance	Advanced Tracking Algorithm, Low False Alarm Rate
Easy to Use	Intuitive Web Browser Interface
Detection Zones	Multi-segment Polygons and Lines
On-screen Display	Real-time Display of Tracking Data and Events
Camera Shake Cancellation	Improve the VCA performance with cameras that are prone to shake
Tamper Detection	Detect camera tampering

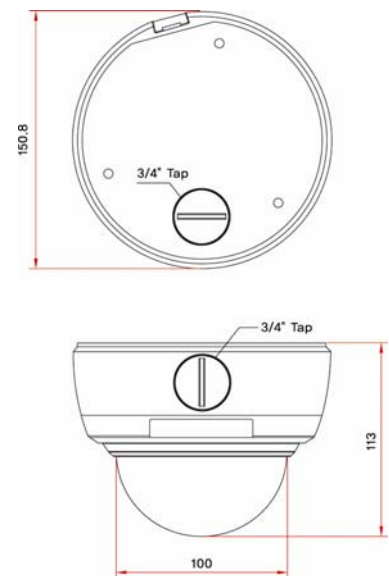
Advanced Intelligent Video Analytics (Option)

Detection Behavior	Direction, Stopping, Loitering, Entering, Exiting, Appear, and Disappear Filters, Abandoned/Removed Object Detection, Tailgating Detection
3D Behavior Statistics	Perspective Corrected Size and Speed Filters
Meta Data	Counting Functions and Other Statistics
Image Stabilization (Option)	Plain XML Format

Image Stabilization (Option)

Electronic Stabilization	Removes Camera Sway
--------------------------	---------------------

Dimension



(unit: mm)