

# TG2Z1816AFCS

**2X 1.8mm - 3.6mm F1.6**  
**for 1/3 type Cameras, Vari-focal Auto Iris VIDEO Drive**  
**CS-Mount**

with Focus and Amplifier

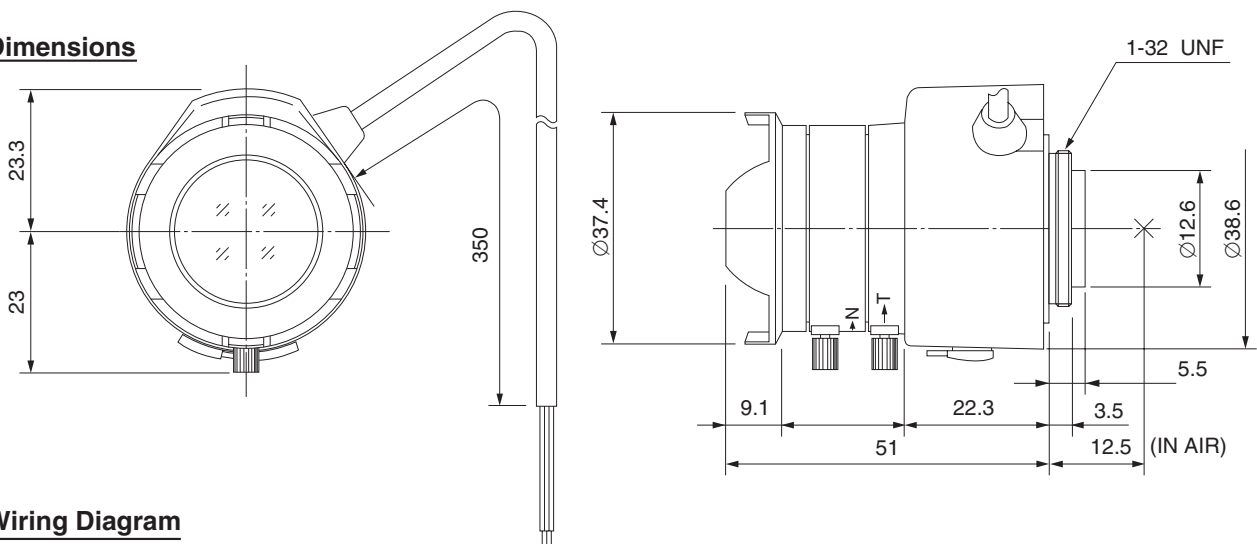
**1/3**  
type

**CS**

|                            |   |                  |                    |                         |                |
|----------------------------|---|------------------|--------------------|-------------------------|----------------|
| Model No.                  | TG2Z1816AFCS  |                  | Effective          | Front                   | Ø22.0mm        |
| Focal Length               | 1.8mm - 3.6mm   |                  | Lens Aperture      | Rear                    | Ø7.9mm         |
| Max. Aperture Ratio        | 1:1.6   |                  | Back Focal         | Tele                    | 10.5mm         |
| Max. Image Format          | 4.8mm x 3.6mm(Ø6mm)   |                  | Length             | Wide                    | 7.0mm          |
| Operation Range            | Iris  | F1.6 - F360C     | Flange Back Length | 12.5mm                  |                |
|                            | Focus   | 0.2m - Inf.      | Mount              | CS-Mount                |                |
|                            | Zoom  | 1.8mm - 3.6mm    | Filter Size        | —                       |                |
| Control                    | Iris  | Video Auto Iris  | Dimensions         | Ø37.4mm x 42.6mm x 51mm |                |
|                            | Focus   | Manual           | Weight             | 83g                     |                |
|                            | Zoom  | Manual           |                    |                         |                |
| Object Dimension at M.O.D. | 1.8mm   | 123.8cm x 56.5cm |                    |                         |                |
|                            | 3.6mm   | 33.2cm x 22.9cm  |                    |                         |                |
| Angle of View              | D   | 1/3 type         | 173.8° - 99.0°     | 1/4 type                | 135.8° - 74.4° |
|                            | H   |                  | 144.2° - 79.4°     |                         | 109.5° - 59.6° |
|                            | V   |                  | 109.4° - 59.6°     |                         | 82.3° - 44.7°  |
| Supply Voltage             | DC8V - DC16V  |                  |                    |                         |                |
| Current                    | Less than 35mA  |                  |                    |                         |                |
| Response Time              | Approx. 2 sec.  |                  |                    |                         |                |
| Light Weighting Method     | Adjustable between Average - Peak (to be Set at Average at Factory) |                  |                    |                         |                |
| Input Signal               | Video Signal (V. or V.S.)   |                  |                    |                         |                |
| Iris Accuracy              | ± 15% at Video Signal Level   |                  |                    |                         |                |
| Sensitivity Adjustment     | 0.5V(p-p) - 1.0V(p-p) (Video Signal)                                |                  |                    |                         |                |
| Input Impedance            | High Impedance  |                  |                    |                         |                |
| Operating Temperature      | -20°C - +50°C   |                  |                    |                         |                |

M.O.D. : Minimum Object Distance

**Dimensions**



**Wiring Diagram**

