

# IIR-MNT-DLB Double L-bracket

www.boschsecurity.com

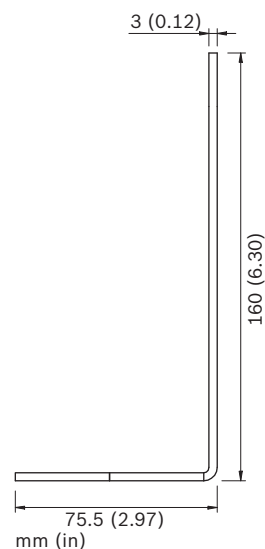
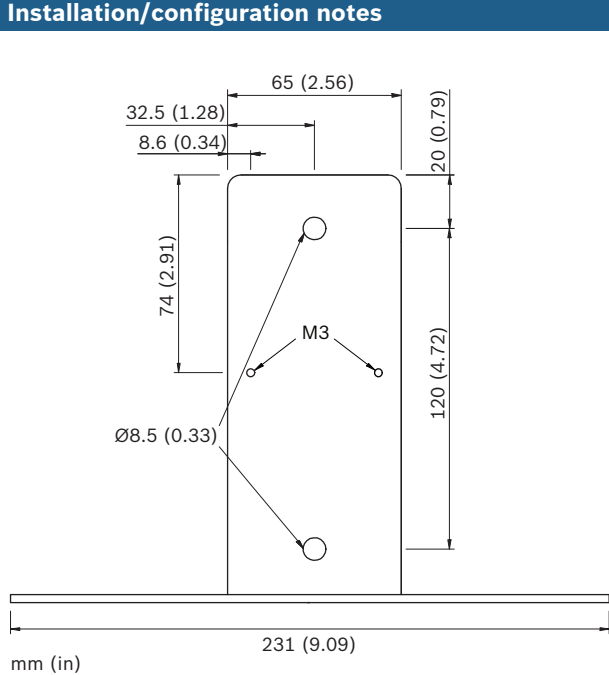


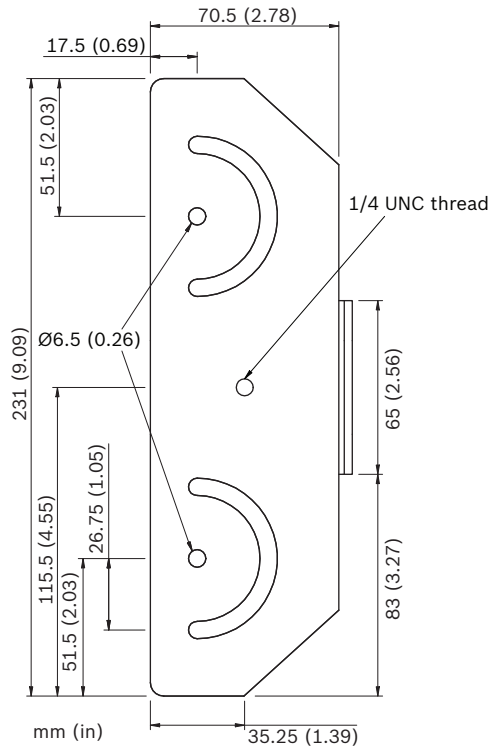
**BOSCH**  
Invented for life



- ▶ L-mount wall bracket for two illuminators
- ▶ 180° rotation
- ▶ Fully adjustable
- ▶ Stainless steel construction
- ▶ IP67 junction box included

## Installation/configuration notes





**Parts included**

Qty	Component
1	L-mount wall bracket for two illuminators
	Attachment components

**Technical specifications**

Mechanical	
Dimensions (W x H x D)	231 x 160 x 75.5 mm (9.09 x 6.30 x 2.97 in)
Material	Stainless steel
Finish	Black power coating
Weight	641 g (1.41 lbs)

**Ordering information**

**IIR-MNT-DLB Double L-bracket**  
 Illuminator double L-bracket, black  
 Order number **IIR-MNT-DLB**

**Represented by:**

**Europe, Middle East, Africa:**  
 Bosch Security Systems B.V.  
 P.O. Box 80002  
 5600 JB Eindhoven, The Netherlands  
 Phone: + 31 40 2577 284  
 emea.securitysystems@bosch.com  
 emea.boschsecurity.com

**North America:**  
 Bosch Security Systems, Inc.  
 130 Perinton Parkway  
 Fairport, New York, 14450, USA  
 Phone: +1 800 289 0096  
 Fax: +1 585 223 9180  
 onlinehelp@us.bosch.com  
 www.boschsecurity.us

**Asia-Pacific:**  
 Robert Bosch (SEA) Pte Ltd, Security Systems  
 11 Bishan Street 21  
 Singapore 573943  
 Phone: +65 6571 2808  
 Fax: +65 6571 2699  
 apr.securitysystems@bosch.com  
 www.boschsecurity.asia