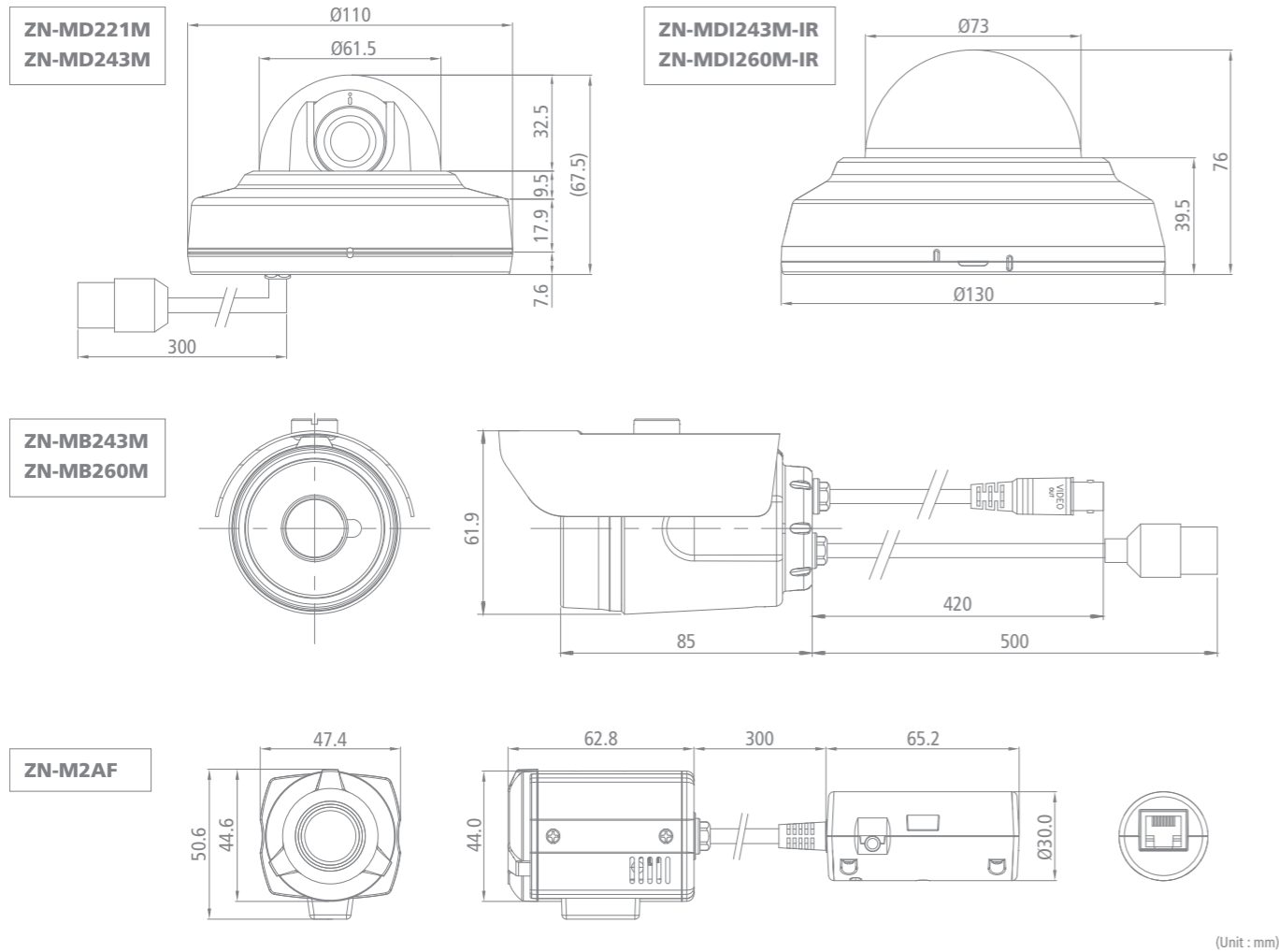


DIMENSIONS



COMPATIBLE WITH:

Check our website or contact customer service for most updated information.



*Exact products and specifications shown may vary by geographic and subject to change without notice. Actual products may differ from the images appearing in the specification sheet.

CBC Co.,Ltd.

TOKYO Head Office Image and Information Technology Division
Ganz Global Brand Center

<http://www.ganz-global.com/>

UPDATE: Nov, 2014



GANZ IP SPECIFICATIONS

PixelPro Network Camera
Mini Series



GANZ
PixelPro







Features:

- Optimized for HD
- 1080p HD Resolution
- 1/2.8" Progressive Scan CMOS Sensor
- PoE
- Motion Triggered Alarm
- Dual Streaming Video
- Service Monitor Output
- True / Digital Day & Night
- DPC (Defective Pixel Correction)

CBC Co.,Ltd.
Ganz Global Brand Center

SPECIFICATION

Model Name		ZN-MD221M	ZN-MD243M	ZN-MDI243M-IR	ZN-MDI260M-IR
					
Camera	Image Sensor	1/2.8" Sony Exmor CMOS Sensor			
	Max. Resolution	1920 x 1080			
	Effective Pixels	2096 (H) x 1561 (V)		1984(H) x 1225(V)	
	White Balance	ATW / Manual (Preset)			
	Digital Zoom	2 ~ 10x (Client Software)			
	Shutter Speed	1/4, 1/10, 1/12.5, 1/15, 1/20, 1/25, 1/30, 1/50, 1/60, 1/100, 1/120, 1/240, 1/480, 1/960, 1/1024, 1/2000s			
	Day/Night Performance	Digital Day & Night		True Day & Night	
	IR Illumination	-		2 IR LEDs	
	Min. Illumination	Color: 0.14 lux (F2.0, 30IRE)		Color: 0.63 lux (F2.0, 50IRE) B/W: 0 lux (IR LED ON)	
	Other Functions	AGC, BLC (Back Light Compensation)			
Lens	Type/Focal Length	Fixed lens f = 2.1 mm	Fixed lens f = 4 mm		Fixed lens f = 6 mm
	Max. Aperture	F2.0			
	Iris	-			
	ProSet Remote Zoom/Focus	-			
	F.O.V. (Horizontal)	132.6°	71.45°	84.4°	53.3°
Analog	Video Signal	NTSC/PAL selectable			
	Monitor Output	Composite Output (BNC), 75 ohm 1Vpp			
Network	Network	10BASE-T, 100BASE-TX, RJ45			
	Image Compression	H.264, MJPEG			
	Resolution	1920 x 1080 (Full HD), 1280 x 1024 (SXGA), 1024x768 (XGA), 1280 x 720 (720p), 640 x 480 (VGA), 640 x 360 (HVGAW), 320 x 240 (QVGA), 704x480/576 (4CIF), 352x240/288 (CIF)			
	Protocol	IPv4, HTTP, SMTP, UPnP, DNS, RTSP, DDNS, RTP, TCP, UDP, RTCP, DHCP, ARP, IGMP, ICMP, NTP, FTP			
	Frame Rate	1 fps ~ 25 fps / 1 fps ~ 30 fps			
	Web Browser	Internet Explorer 7.0 or above, Firefox, Chrome, Smart Phone (iOS, Android)			
	Security	Password Protection			
	SDK (API)	HTTP based API - ONVIF			
	VMD (Video Motion Detection)	User set 4 ROI (Region of Interest), 10 Step Sensitivity			
	Alarm Trigger	VMD			
	Alarm Event	E-mail notification (Snapshot), FTP transfer (Snapshot)			
Power	Power Consumption	12VDC	-		
		24VAC	-		
		PoE	70mA / 3.4W (IEEE 802.3af compliant)	70mA, Max 3.4W (IR OFF) / 100mA, Max 4.8W (IR ON) (IEEE 802.3af compliant)	
Other Specification	microSD Card	-			
	Operating Temperature/RH (Not Include Cold Start)	-30°C ~ 50°C (-22°F ~ 122°F) Less than 90%, Non-condensing		-10°C ~ 40°C(14°F ~ 113°F) less than 90%, Non-condensing	
	Weight	360g		295g	
	Dimensions	Ø110mm x 67.5mm (H) / Ø4.3" x 2.7"(H)		Ø130mm x 76mm (H) / Ø5.1" x 3"(H)	
	IP Rating	IP66		-	
	Certifications	CE, FCC, UL, WEEE			

Model Name		ZN-MB243M	ZN-MB260M	ZN-M2AF
				
Camera	Image Sensor	1/2.8" Sony Exmor CMOS Sensor		
	Max. Resolution	1920 x 1080		
	Effective Pixels	1984(H) x 1225(V)		2096 (H) x 1561 (V)
	White Balance	ATW / Manual (Preset)		
	Digital Zoom	2 ~ 10x(Client Software)		
	Shutter Speed	1/4, 1/10, 1/12.5, 1/15, 1/20, 1/25, 1/30, 1/50, 1/60, 1/100, 1/120, 1/240, 1/480, 1/960, 1/1024, 1/2000s		
	Day/Night Performance	True Day & Night		
	IR Illumination	18 IR LEDs		-
	Min. Illumination	Color: 0.63 lux (F2.0, 50IRE) B/W: 0 lux (IR LED ON)		Color: 3.8 lux (F3.5, 50IRE) AGC High B/W: 0.081 lux (F3.5, 50IRE) AGC High
	Other Functions	AGC, BLC (Back Light Compensation)		
Lens	Type/Focal Length	Fixed lens f = 4 mm	Fixed lens f = 6 mm	Optical 5X Megapixel Zoom Lens, f = 5.0~25.0 mm
	Max. Aperture	F2.0		
	Iris	-		
	ProSet Remote Zoom/Focus	-		
	F.O.V. (Horizontal)	84.4°	53.3°	51.3° ~ 11.0°
Analog	Video Signal	NTSC/PAL selectable		
	Monitor Output	Composite Output(BNC), 75 ohm 1Vpp		
Network	Network	10BASE-T, 100BASE-TX, RJ45		
	Image Compression	H.264, MJPEG		
	Resolution	1920 x 1080 (Full HD), 1280 x 1024 (SXGA), 1024x768 (XGA), 1280 x 720 (720p), 640 x 480 (VGA), 640 x 360 (HVGAW), 320 x 240 (QVGA), 704x480/576 (4CIF), 352x240/288 (CIF)		
	Protocol	IPv4, HTTP, SMTP, UPnP, DNS, RTSP, DDNS, RTP, TCP, UDP, RTCP, DHCP, ARP, NTP, IGMP, ICMP, FTP		
	Frame Rate	1 fps ~ 25 fps / 1 fps ~ 30 fps		
	Web Browser	Internet Explorer 7.0 or above, Firefox, Chrome, Smart Phone (iOS, Android)		
	Security	Password Protection		
	SDK (API)	HTTP based API - ONVIF		
	VMD (Video Motion Detection)	User set 4 ROI(Region Of Interest), 10 Step Sensitivity		
	Alarm Trigger	VMD		
	Alarm Event	E-mail notification (Snapshot), FTP transfer (Snapshot)		
Power	Power Consumption	12VDC	-	
		24VAC	-	
		PoE	70mA, Max 3.4W (IR OFF) / 100mA, Max 4.8W (IR ON) (IEEE 802.3af compliant)	114mA, Max 5.5W (IEEE 802.3af compliant)
Other Specification	microSD Card	-		
	Operating Temperature/RH (Not Include Cold Start)	-20°C ~ 50°C (-4°F ~ 122°F) less than 90%, Non-condensing		0°C ~ 50°C (32°F ~ 122°F) Less than 90%, Non-condensing
	Weight	325g		160g
	Dimensions	Ø57.9mm x 85mm(L) / Ø2.2" x 3.4"(L)		50.6(W) x 47.4(H) x 62.8(L)mm 2"(W) x 1.9"(H) x 2.5"(L)
	IP Rating	IP66		
	Certifications	CE, FCC, UL, WEEE		