



GST-NRP00 Network Repeater Panel



Description

GST-NRP00 Network Repeater Panel is based on GST network technology, providing remote control and indication of the fire alarm system.

A certain network card is required for sitting to the network.

Features and Benefits

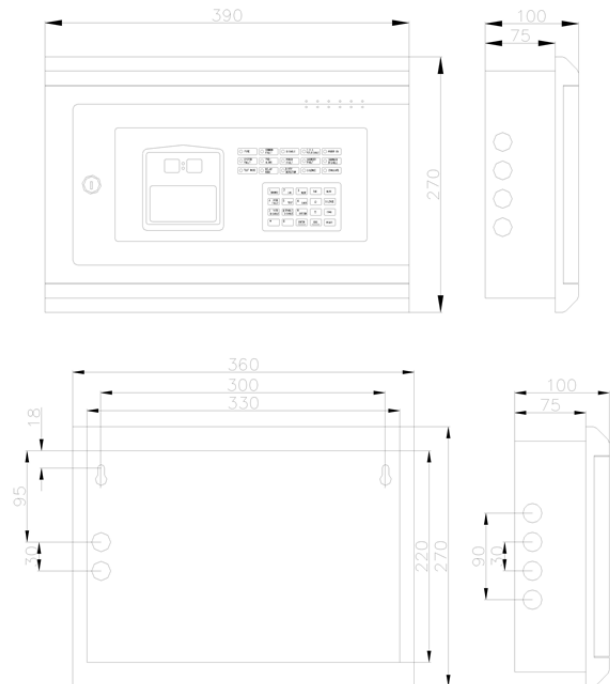
- Provide remote display and control of system
- Password protected access level
- 8X18 characters LCD screen
- 15 LEDs to display important information
- Functional control of network panels
- Network-wide operation: Acknowledge, Silence, Reset.
- Flush-mount or surface-mount structure
- Meet network protocol by selecting suitable network card

Certificates and Compliance

- Standards: CE-EMC

Installation Data

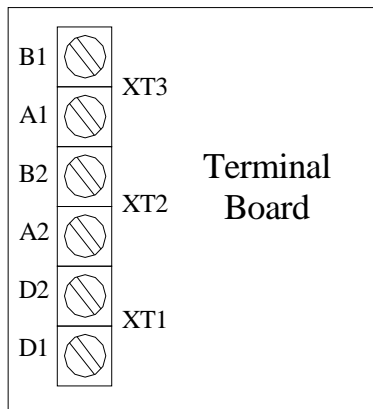
GST-NRP00 is flush-mount or surface-mount. Its appearance and the mounting hole are shown here.



Recommended Cabling

1.0mm² or above fire cable is recommended for communication cable, and 1.5mm² or above fire cable is recommended for power supply. All cables should be subject to local codes.

Terminals



B1 A1: Network connection from previous panel, polarized

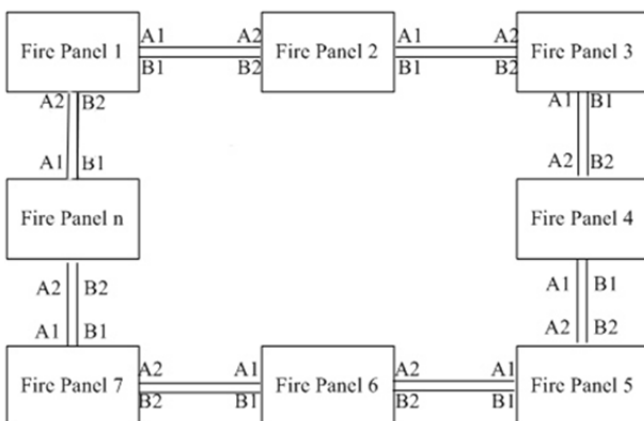
B2 A2: Network connection to next panel, polarized

D2 D1: 24VDC power supply, non-polarized

Function of the terminals for network will be considered according to network card adapted.

Typical Connections

The GST-NRP00 repeater panel sits in GST network. A typical Class-A network connection is shown below. It also possible sits in a Class-B network.



Technical Specification

Supply Voltage	20VDC~27VDC
System Current	Max. 0.5A
Communication Distance	RS485: Less than 1200m CAN: Less than 3000m
Display	8(Line) x 18 (characters)
Network	According to network card
Operating Environment	0°C ~ +40°C >95%, non condensing
Dimensions	390mm W x 270mm H x 100mm D

Order Information

Part No.	GST-NRP00
Device Name	Network Repeater Panel
Order Code	1315316

Compatible Devices

GST200-2 Intelligent Fire Alarm Panel

GST200N Intelligent Fire Alarm Panel

GST-IFP8 Intelligent Fire Alarm Panel

Variant Models

Part No.	Order Code	Property
GST-NRP00-HU	1315317	Hungarian Model
GST-NRP00-PT	1315318	Portuguese Model

Accessory

One of the network card (order separately) **MUST** be selected before connecting to network.

Order Code	Part Number	Network Type
3660994	P-9940A	RS485, Class A
3661849	P-9960	CAN, Class B
3662002	P-9960A	CAN, Class A