

IR850M-120/IR940M-60 Infrared LED Illuminators

SEMI-COVERT/COVERT

Product Features

- Distances Up to 120 m (394 ft)
- Platinum LED Technology; High Efficiency, High Reliability
- Built-in Photo Cell for Automatic On/Off Operation; Photocell Following Output
- Interchangeable Diffuser System (IDS) Using Lenses with Angles Up to 120 Degrees
- LED Status Feedback and Lifetime Management Systems
- Vandal Resistant with IK9 Mechanical Impact Resistance
- Advanced Optics for Optimal Light Distribution
- Optional Remote Control Setup Functions:
 - Adjust Power
 - Adjust Photocell Sensitivity
 - Timer Function
 - Telemetry Input or Remote Dim Function
 - Factory Restore



The Pelco **IR850M-120/IR940M-60 Series** of infrared illuminators is designed for video surveillance applications. **IR850M-120/IR940M-60** illuminators are the perfect overall lighting solution, combining platinum LED optic technology with unique product features such as remote control and LED status feedback system, providing an energy-efficient and controlled lighting solution.

The **IR850M-120/IR940M-60 Series** features a unique Interchangeable Diffuser System (IDS) which allows users to quickly and easily change the angle of illumination on-site to match the required field of view. The IDS uses the latest holographic light-diffusing technology which produces a targeted and accurate beam pattern directing light to where it is needed most. This technique allows greater illumination distances and prevents overexposure of foreground objects, delivering an evenly illuminated and smoother video surveillance image.

The optional RC-LED remote control with a variety of advanced features enables set up of the illuminator quickly and safely from ground level.

The LED Lifetime management system ensures high reliability and consistent optical output, which allows the **IR850M-120/IR940M-60** illuminators to deliver outstanding performance with minimal environmental impact. The **IR850M-120/IR940M-60** LED status feedback system provides instant response on the operational performance of the illuminator, allowing easy commissioning and maintenance checks.

The interchangeable lenses included with **IR850M-120/IR940M-60** units deliver angles of 35 and 60 degrees, offering enough flexibility for most applications. An optional LENS PKM-LED wide-angle lens pack increases the viewing angle to 80 or 120 degrees.

IR850M-120/IR940M-60 illuminators are supplied complete with bracket and operate directly from a 12 VDC or 24 VAC input.



by Schneider Electric

International Standards
Organization Registered Firm;
ISO 9001 Quality System



C3967 / NEW 9-12-13

TECHNICAL SPECIFICATIONS

MODELS

IR850M-120	Semi-covert 850 nm infrared LED illuminator; 120 m (394 ft) maximum distance
IR940M-60	Covert infrared 940 nm LED illuminator 60 m (197 ft) maximum distance

ELECTRICAL

Input Voltage	12 VDC \pm 10%; 24 VAC \pm 10%
Power Consumption	24 W maximum
Power Cord	2.5 m 12 or 24 VAC/DC

GENERAL

Wavelength	850 nm/940 nm	
Average Life (Lamp)	10 years	
Construction	Aluminum body, stainless steel bracket, polycarbonate cover	
Finish	Gray polyester powder coat	
Operating Temperature	-40° to 50°C (-40° to 122°F)	
Storage Temperature	-50° to 75°C (-58° to 167°F)	
Weight	Unit	Shipping
	1.0 kg (2.2 lb)	1.2 kg (2.7 lb)

MECHANICAL

Bracket Mounting	6.50 mm (0.25 in) hole diameter
Bracket Adjustment	2, 4 mm AF hex (M6 hex button head)

CERTIFICATIONS/PATENTS

- CE
- FCC, Class B
- UL/cUL Listed
- Meets IP66 rating (environmental) and IK9 (vandal resistant)

SUPPLIED ACCESSORIES

Units are factory-installed with a 35 x 10° Interchangeable Diffuser System (IDS); an additional 60 x 25° IDS is supplied.

INTERCHANGEABLE DIFFUSER SYSTEM (IDS)

Angles with Diffuser	IR850M-120 Distance	IR940M-60 Distance
10° x 10° (no diffuser)	120 m (394 ft)	60 m (197 ft)
35° x 10° (standard)	65 m (213 ft)	30 m (98 ft)
60° x 25° (included)	45 m (148 ft)	20 m (66 ft)
80° x 30° (optional)	30 m (98 ft)	15 m (49 ft)
120° x 50° (optional)	20 m (66 ft)	10 m (33 ft)

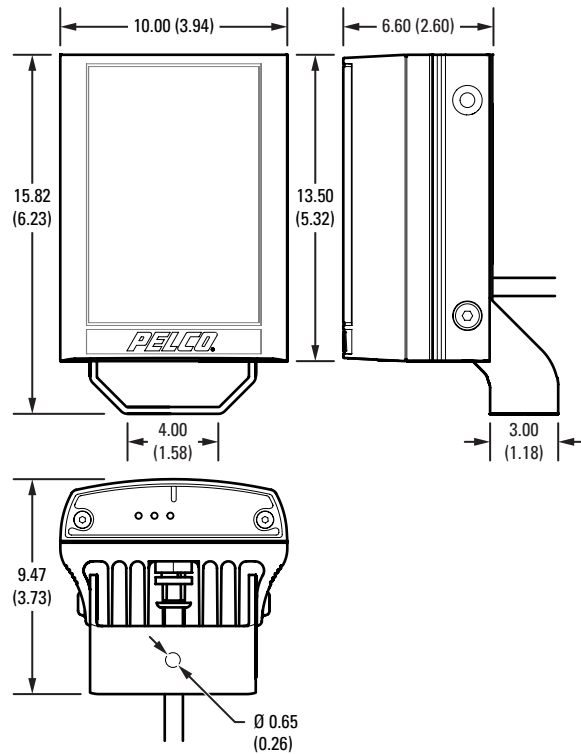
RECOMMENDED ACCESSORIES

RC-LED	Remote control for IR850, IR940, or WLED illuminators
LENSPKM-LED	Wide angle lens pack (80° and 120°) for IR850M-120, IR940M-60, or WLEDM-90
LBKT-LED	Mounting bracket for installing IR850, IR940, or WLED illuminators on walls or flat surfaces

INTEGRATED COMMAND AND CONTROL

Standard	Built-in photocell for automatic on/off operation; LED Status Feedback System provides status on performance of the unit; photocell following output
Advanced	Accessed with remote control: <ul style="list-style-type: none"> - Power adjust from 20 to 100% - Photocell sensitivity adjust - Timer function (up to 30 minutes) - Telemetry control or remote dimming - LED Status Feedback System on/off - Restore factory default settings

 VALUES IN PARENTHESES ARE INCHES; ALL OTHERS ARE CENTIMETERS.



Pelco by Schneider Electric

3500 Pelco Way, Clovis, California 93612-5699 United States

USA & Canada Tel (800) 289-9100 Fax (800) 289-9150

International Tel +1 (559) 292-1981 Fax +1 (559) 348-1120

www.pelco.com www.pelco.com/community

Pelco, the Pelco logo, and other trademarks associated with Pelco products referred to in this publication are trademarks of Pelco, Inc. or its affiliates. ONVIF and the ONVIF logo are trademarks of ONVIF Inc. All other product names and services are the property of their respective companies.

Product specifications and availability are subject to change without notice.

©Copyright 2013, Pelco, Inc. All rights reserved.