

H60Z1238A-IRF

60X 12.5mm 750mm F3.8
 for 1/2 type Cameras, Motorized Zoom
 C Mount, W/2X Extender (25mm-1500mm)
 Fog through filter (when select 850nm)
 IR Lamp focus adjustment (For 808nm, 850nm, 950nm)

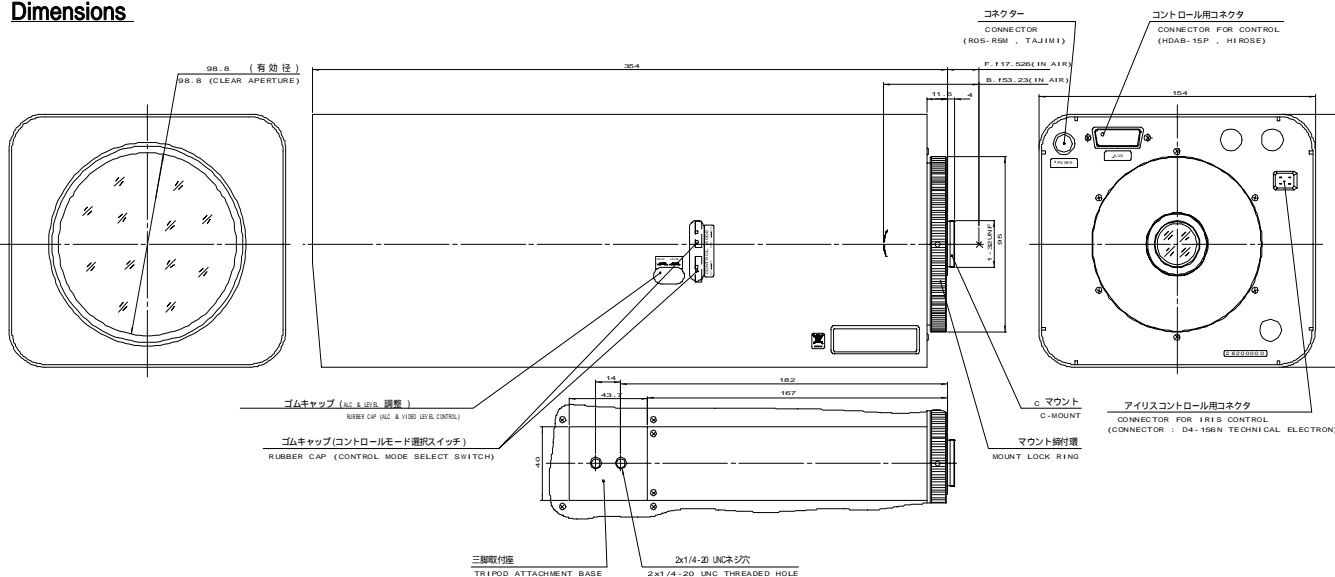
with Video Auto Iris

Model No.	H60Z1238A-IRF		Effective	Front	98.8mm
Focal Length	12.5mm 750mm		Lens Aperture	Rear	13.6 mm
	25mm-1500mm (with 2x extender.)		Back Focal Length		53.23mm
Max. Aperture Ratio	1:3.8				
Max. Image Format	6.4mm x 4.8mm(8mm)		Flange Back Length		17.526mm
Operation Range	Iris	F3.8 F3000	Mount		C Mount
	Focus	5m Inf.	Filter Size		M107 P= 1mm
	Zoom	12.5mm 1500mm	Tripod Screw		2 x 1/4-20 UNC
Control	Iris	Video Auto Iris, Over ride Manual	Dimensions		W154mm x H137mm x D354mm
	Focus	Motorized	Weight		5200g
	Zoom	Motorized			
Object Dimension at M.O.D.	12.5mm	246.5cmX184.9cm	25mm		123.3cmX92.4cm
	750mm	4.1cmX3.1cm	1500mm		2.1cm X1.5cm
Angle of View (w/o Extender)	D	1/2 type	35.5 ° 0.62 °	1/3 type	26.1 ° 0.47 °
	H		28.7 ° 0.48 °		21.7 ° 0.37 °
	V		21.7 ° 0.37 °		16.4 ° 0.28 °
				1/4 type	20.4 ° 0.35 °
					16.4 ° 0.28 °
					12.3 ° 0.20 °
Supply Voltage	DC12V (9-15)V		Focus	DC6/12V switchable	
Current	50mA or less		Zoom	DC6/12V switchable	
Response Time	0.5 sec.			90mA or less	
Preset Potentiometer	-			Approx. 6 sec.	
Light Weighting method	Adjustable between Average-Peak (to be set at Average at Factory)			10k 0.5W	
Input Signal	Video Signal (V. or V.S.)			10k 0.5W	
Iris Accuracy	± 3.5% at A.P.L 0.5V				
Sensitivity Adjustment	0.5V(p-p) - 0.9V(p-p) (Video Signal)				
Input Impedance	High Impedance100k				
Operating Temperature	-10 +50				

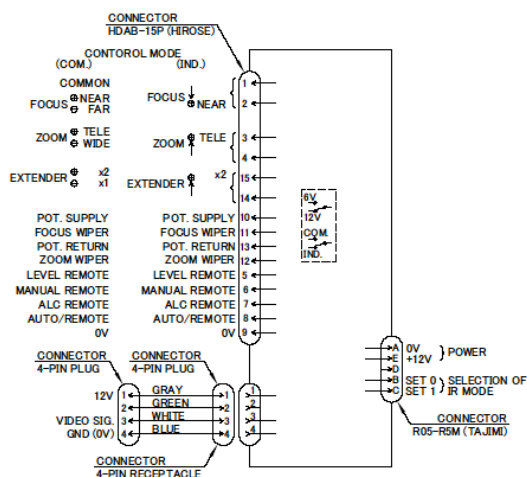
1/2 type

C

Dimensions



Wiring Diagram



Specification is subject to change without any notice.