

HG3808FCS-HSP

3.8mm F0.8
for 1/2 type Cameras, Aspherical High Speed Auto Iris DC Drive
CS-Mount

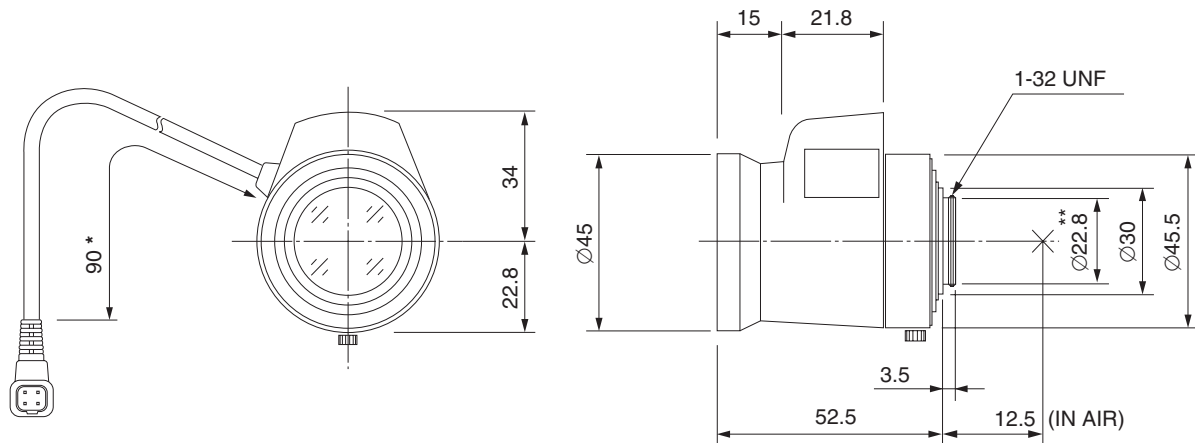
with Focus, w/o Amplifier

Model No.	HG3808FCS-HSP		Effective	Front	Ø27.2mm		
Focal Length	3.8mm		Lens Aperture	Rear	Ø16.6mm		
Max. Aperture Ratio	1:0.8		Back Focal Length	9.07mm			
Max. Image Format	6.4mm x 4.8mm(Ø8mm)		Flange Back Length	12.5mm			
Operation Range	Iris	F0.8 - F360C		Mount	CS-Mount		
	Focus	0.15m - Inf.		Filter Size	M43 P=0.75mm		
Control	Iris	DC Auto Iris		Dimensions	Ø45mm x 56.8mm x 52.5mm		
	Focus	Manual		Weight	150g		
Object Dimension at M.O.D.	29.6cm x 20.5cm						
Angle of View	D	1/2 type	107.7°	1/3 type	84.3°	1/4 type	64.5°
	H		89.2°		68.6°		52.1°
	V		68.6°		52.1°		39.4°
Coil	Drive	190Ω					
	Control	1000Ω					
Operating Temperature	-20°C - +50°C						

1/2
type

M.O.D : Minimum Object Distance

Dimensions

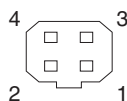


CS

* : 310mm cable is available

**** : for B/W camera**
 Using with a B/W camera, please use the attached "B/W aberration compensation filter" and "FB compensation spacer". The filter(M22 P=0.5mm) should be screwed onto the lens from rear side and the spacer should be placed between lens and camera.

Wiring Diagram



Pin No.

1	BROWN	Control (-)
2	RED	Control (+)
3	YELLOW	Drive (+)
4	ORANGE	Drive (-)