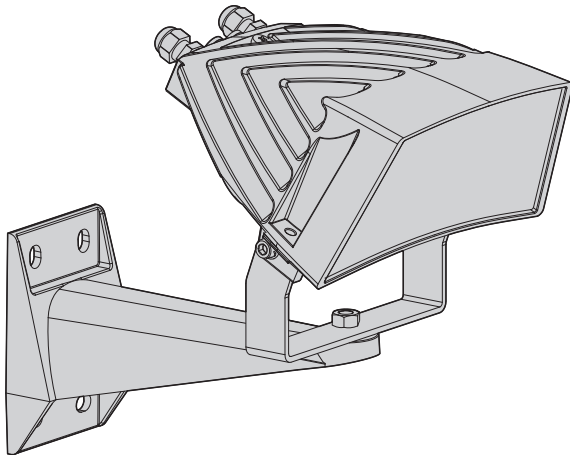




# GEKO IRN

LED illuminator



**EN** English - Instructions manual

**IT** Italiano - Manuale di istruzioni

**FR** Français - Manuel d'instructions

**DE** Deutsch - Bedienungsanleitung

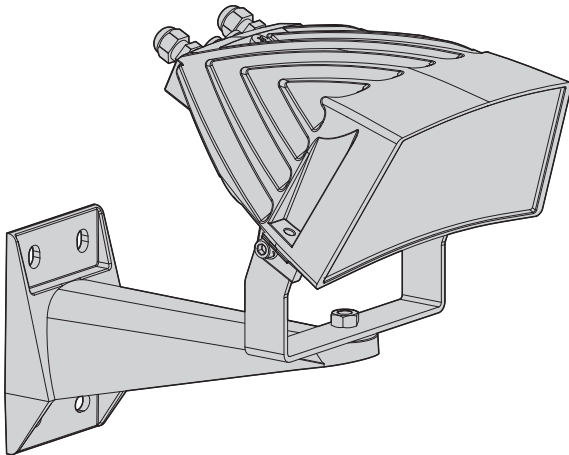
**RU** Русский - Руководство по эксплуатации





# GEKO IRN

LED illuminator



# Contents

<b>1 About this manual .....</b>	<b>3</b>
1.1 Typographical conventions.....	3
<b>2 Notes on copyright and information on trademarks.....</b>	<b>3</b>
<b>3 Safety rules.....</b>	<b>3</b>
<b>4 Identification.....</b>	<b>5</b>
4.1 Product description and type designation.....	5
4.2 Product markings .....	5
<b>5 Preparing the product for use .....</b>	<b>6</b>
5.1 Unpacking and contents.....	6
5.1.1 Unpacking.....	6
5.1.2 Contents.....	6
5.2 Safely disposing of packaging material.....	6
<b>6 Assembling and installing .....</b>	<b>6</b>
6.1 Assembly.....	6
6.2 Installation.....	6
6.2.1 Installation of wall-mounted illuminator.....	6
6.2.2 Description of connection cables.....	7
6.2.2.1 Power supply cable version 12Vdc, 24Vdc, and 24Vac.....	7
6.2.2.2 Power supply cable version from 100Vac to 240Vac.....	8
6.2.2.3 Control cable .....	8
6.2.3 Cable technical specifications.....	9
6.2.4 LED illuminator switching on threshold adjustment .....	9
6.2.4.1 Twilight sensor activation threshold adjustment .....	9
6.2.4.2 Disabling the twilight sensor.....	10
6.2.5 LED illuminator power adjustment.....	10
6.3 Operational test.....	10
6.3.1 Check operation of the twilight sensor .....	10
<b>7 Disposal of waste materials .....</b>	<b>11</b>
<b>8 Technical data .....</b>	<b>11</b>
8.1 General .....	11
8.2 Mechanical.....	11
8.3 Electrical.....	11
8.4 Illuminators .....	11
8.5 Environment.....	11
8.6 Certifications .....	11
<b>9 Technical drawings .....</b>	<b>12</b>

# 1 About this manual

Before installing and using this unit, please read this manual carefully. Be sure to keep it handy for later reference.

## 1.1 Typographical conventions



### DANGER!

**High level hazard.**

**Risk of electric shock. Disconnect the power supply before proceeding with any operation, unless indicated otherwise.**



### DANGER!

**Hot surface.**

**Avoid contact. Surfaces are hot and may cause personal injury if touched.**



### DANGER!

**Emission of visible light or infrared. It can be harmful for eyes. Pay attention to the provided indications.**



### CAUTION!

**Medium level hazard.**

**This operation is very important for the system to function properly. Please read the procedure described very carefully and carry it out as instructed.**



### INFO

**Description of system specifications. We recommend reading this part carefully in order to understand the subsequent stages.**

## 2 Notes on copyright and information on trademarks

The quoted names of products or companies are trademarks or registered trademarks.

## 3 Safety rules



**CAUTION! The device must be installed only and exclusively by qualified technical personnel.**



**Do not stare at the lamp when on. It can be harmful for eyes.**



**The infrared LED illuminator emits high-intensity visible light. In compliance with standard EN62471/IEC62471, the photobiological safety assessment has classified the device in Risk Group 2, where it exceeds the values of the Exempt Group. The risk linked to the observer depends on how the product has been installed and is used. For installation, follow the instructions in this manual. Do not open the illuminator for whatever reason. Do not look directly at the illuminator using optical lenses. Exposure hazard values (EHV): 88.1s. Hazard distance (HD): 200mm.**

RISK GROUP 2	GROUPE DE RISQUE 2
<b>CAUTION:</b> IR emitted from this product. Avoid eye exposure. Use appropriate shielding or eye protection.	<b>ATTENTION:</b> IR sont émis par ce produit. Éviter toute exposition des yeux. Utiliser un blindage approprié ou une protection oculaire.

**Fig. 1 Infrared illuminator.**



**The white light LED illuminator emits high-intensity visible light. In compliance with standard EN62471/IEC62471, the photobiological safety assessment has classified the device in Risk Group 2, where it exceeds the values of the Exempt Group. The risk linked to the observer depends on how the product has been installed and is used. For installation, follow the instructions in this manual. Do not open the illuminator for whatever reason. Do not look directly at the illuminator using optical lenses. Exposure hazard values (EHV): 20.8s. Hazard distance (HD): 200mm.**

<b>RISK GROUP 2</b>	<b>GROUPE DE RISQUE 2</b>
<b>CAUTION:</b> Possibly hazardous optical radiation emitted from this product. Do not stare at operating lamp. May be harmful to the eye.	<b>ATTENTION:</b> Des rayonnements optiques dangereux peuvent être émis par ce produit. Ne pas regarder la lampe directement. Peut être dangereux pour les yeux.

**Fig. 2 White light illuminator.**



**During normal operation the surface of the illuminator can reach high temperatures. Do not allow direct contact and position the appliance where it is inaccessible to unauthorised persons. Before touching switch off the illuminator and allow to cool for a minimum period of 10 minutes.**

- The manufacturer declines all responsibility for any damage caused by an improper use of the appliances mentioned in this manual. Furthermore, the manufacturer reserves the right to modify its contents without any prior notice. The documentation contained in this manual has been collected with great care. The manufacturer, however, cannot take any liability for its use. The same thing can be said for any person or company involved in the creation and production of this manual.

- Before starting any operation, make sure the power supply is disconnected.
- Do not use cables that seem worn or old.
- Never, under any circumstances, make any changes or connections that are not shown in this handbook. Improper use of the appliance can cause serious hazards, risking the safety of personnel and of the installation.
- Use only original spare parts. Non-original spare parts could cause fire, electrical discharge or other hazards.
- Before proceeding with installation, check the supplied material to make sure it corresponds to the order specification by examining the identification labels (4.2 Product markings, page 5).
- A disconnecting device, readily and easily accessible, must be incorporated in the electrical system of the building for rapid intervention.
- To connect the power supply line use the appropriate junction-box (IRNJBUL). For further information, refer to the product use and installation manual.
- This is a Class A product. In a domestic environment this product may cause radio interference. In this case the user may be required to take adequate measures.
- To comply with the main supply voltage dips and short interruption requirements, use a suitable Uninterruptable Power Supply (UPS) to power the unit.

- Installation category (also called Overvoltage Category) specifies the level of mains voltage surges that the equipment will be subjected to. The category depends upon the location of the equipment, and on any external surge protection provided. Equipment in an industrial environment, directly connected to major feeders/short branch circuits, is subjected to Installation Category III. If this is the case, a reduction to Installation Category II is required. This can be achieved by use of an insulating transformer with an earthed screen between primary and secondary, or by fitting listed Surge Protective Devices (SPDs) from live to neutral and from neutral to earth. Listed SPDs shall be designed for repeated limiting of transient voltage surges, suitable rated for operating voltage and designated as follows: Type 2 (Permanently connected SPDs intended for installation on the load side of the service equipment overcurrent device); Nominal Discharge Current (In) 20kA min. For example: FERRAZ SHAWMUT, STT2240SPG-CN, STT2BL240SPG-CN rated 120Vac/240Vac, (In=20kA). Maximum distance between installation and reduction is 5m.
- In the case of a 24Vac power supply, you must provide for adequate separation from the AC power supply line using double or reinforced insulation between the main power supply line and the secondary circuit.

## 4 Identification

### 4.1 Product description and type designation

The GEKO lights the entire scene evenly, eliminating hotspots and underexposures, for unbeatable night-time images and secure surveillance of the area. The high efficiency heat sink body ensures maximum LED durability and protection against over-temperatures, whereas the front glass, made of special technopolymer, provides high infrared transmittance. The illuminators are protected against electrostatic discharges.

The illuminator is available in versions 24Vac/12-24Vdc or 100-240Vac with integrated power supply.

GEKO is supplied with a wall-mount bracket that rotates horizontally and vertically.

The GEKO infrared illuminator guarantee is 5 years, while for GEKO with the white light is 2 years.

### 4.2 Product markings

See the label attached to the product.

## 5 Preparing the product for use



Any change that is not expressly approved by the manufacturer will invalidate the guarantee.

### 5.1 Unpacking and contents

#### 5.1.1 Unpacking

When the product is delivered, make sure that the package is intact and that there are no signs that it has been dropped or scratched.

If there are obvious signs of damage, contact the supplier immediately.

Keep the packaging in case you need to send the product for repairs.

#### 5.1.2 Contents

Check the contents to make sure they correspond with the list of materials as below:

- Illuminator with bracket
- Wall-fastening bracket
- Bolts and screws
- Instructions manual

### 5.2 Safely disposing of packaging material

The packaging material can all be recycled. The installer technician will be responsible for separating the material for disposal, and in any case for compliance with the legislation in force where the device is to be used.

When returning a faulty product we recommend using the original packaging for shipping.

## 6 Assembling and installing



During normal operation the surface of the illuminator can reach high temperatures. Do not allow direct contact and position the appliance where it is inaccessible to unauthorised persons. Before touching switch off the illuminator and allow to cool for a minimum period of 10 minutes.



The assembly and installation must be performed only by skilled personnel.

### 6.1 Assembly

Fasten the top bracket (01) to the illuminator using the screws and washers (02) supplied.

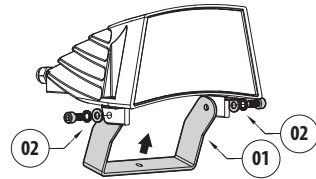


Fig. 3

### 6.2 Installation

#### 6.2.1 Installation of wall-mounted illuminator



The illuminator's position can be decided at the time of installation.

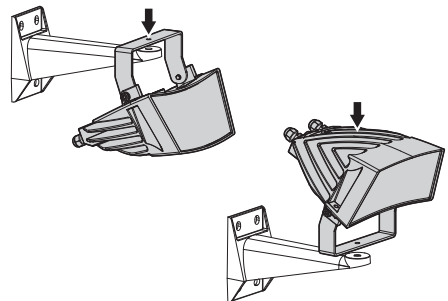


Fig. 4



Fasten the bracket as shown in the figure. Drive the wall screws in tight.

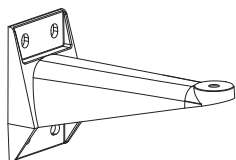


Fig. 5

Fasten the illuminator, complete with its bracket, using the screw, the nut and the washer supplied.

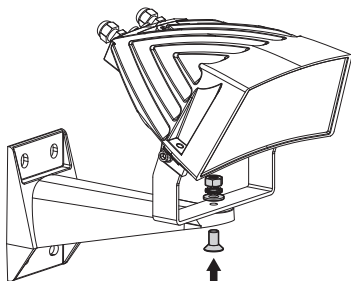


Fig. 6

Set the illuminator's vertical and horizontal inclination by adjusting the two fastening screws.

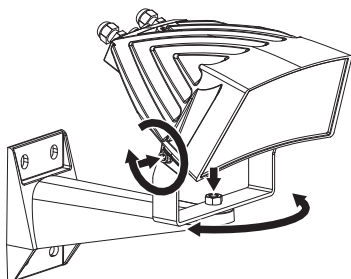
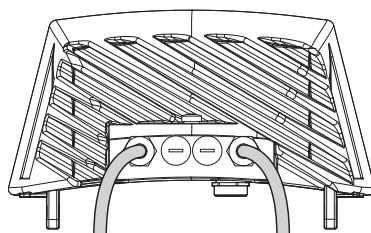


Fig. 7

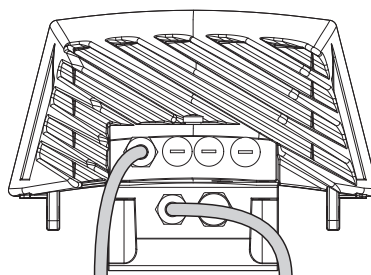
Check the resulting illumination range on the screen. Tighten all the screws.

## 6.2.2 Description of connection cables



Control cable      Power supply

Fig. 8 12Vdc, 24Vdc and 24Vac version.



Control cable      Power supply

Fig. 9 From 100Vac to 240Vac version.

### 6.2.2.1 Power supply cable version 12Vdc, 24Vdc, and 24Vac



**The device is Class III. Provide power supply using a safety transformer or a SELV continuous current power supply.**

The illuminator is provided with a 2m power cable.

**Power cables (blue, brown):** Connect the two poles to the supply (24Vac, 50/60Hz or 12-24Vdc). In case of continuous current power supply, polarity is irrelevant.

For maximum lengths and recommended cable sections, refer to the relative chapter (6.2.3 Cable technical specifications, page 9).

### 6.2.2.2 Power supply cable version from 100Vac to 240Vac



**The device is Class I. Connection of the yellow-green cable to the safety ground is therefore necessary to ensure electrical safety.**

The illuminator is provided with a 2m power cable.

**Power cables (blue, brown, yellow/green):** Connect the brown cable to the phase, the blue one to the neutral and the yellow-green one to the safety ground.

For maximum lengths and recommended cable sections, refer to the relative chapter (6.2.3 Cable technical specifications, page 9).

### 6.2.2.3 Control cable

The product is equipped with a control cable to manage one input contact and one output contact.

COLORS AND FEATURES OF THE CONTROL CABLE	
Cable color	Function
Red	Input for activation by means of external dry contact
Green	Input for activation by means of external dry contact
White	Dry contact output (Follow)
Black	Dry contact output (Follow)

Tab. 1

**Input contact:** It allows a remote activation of the illuminator by means of a dry contact placed between the red and green conductors. For proper operation, make sure that the twilight sensor is disabled (6.2.4.2 Disabling the twilight sensor, page 10). The input contact status is the following:

- Open contact input (insulated red and green poles): Illuminator on.
- Contact closed input (red and green poles in short-circuit): Illuminator off.



**Avoid to use the same external contact to switch-on or switch-off 2 or more illuminators.**

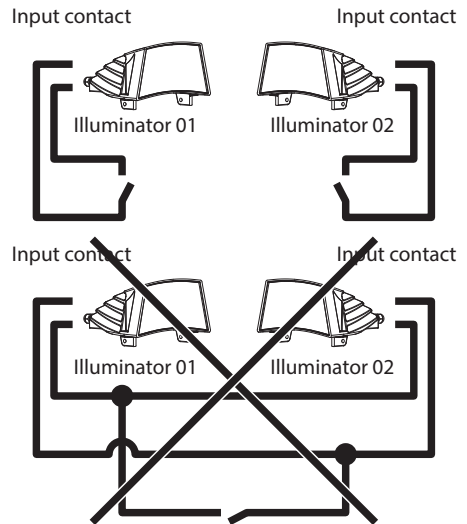


Fig. 10

**Output contact (Follow):** The Follow output has a dry contact in the white and black poles. The Follow contact can be used to turn on or off other illuminators simultaneously in the system or to verify the camera day/night status. Regardless the illuminator is activated through the input contact or the twilight sensor, the output contact status (Follow) is the following:

- Open contact output (insulated white and black poles): Illuminator on.
- Contact closed output (white and black poles in short-circuit): Illuminator off.

## 6.2.3 Cable technical specifications

Depending on the type of illuminator and supply voltage, comply with the following maximum lengths for the power cables.

### Power supply, 12Vdc

- Voltage drop: 0.6V max.
- Minimum voltage at the power cable input provided with the illuminator: 11.4Vdc.

CABLES SPECIFICATIONS (SUPPLY, 12VDC)		
Cable section	AWG	Maximum length
0.75mm <sup>2</sup>	18	4.5m (14.8ft)
1mm <sup>2</sup>	17	6.5m (21.3ft)
1.5mm <sup>2</sup>	16	9m (29.5ft)
2.5mm <sup>2</sup>	14	15m (49.2ft)
4mm <sup>2</sup>	10	24m (78.7ft)

Tab. 2

### Power supply, 24Vac or 24Vdc

- Voltage drop: 3V max.
- Minimum voltage at the power cable input provided with the illuminator: 21Vac.

CABLES SPECIFICATIONS (SUPPLY, 24VAC OR 24VDC)		
Cable section	AWG	Maximum length
0.75mm <sup>2</sup>	18	35m (114ft)
1mm <sup>2</sup>	17	50m (164ft)
1.5mm <sup>2</sup>	16	80m (262ft)
2.5mm <sup>2</sup>	14	120m (393ft)
4mm <sup>2</sup>	10	200m (656ft)

Tab. 3

### Power supply, from 100Vac a 240Vac

- The cable section is less critical, so no particular prescription is requested. Ensure the ground connection is efficient for safety reasons.
- Cable minimum section: 0.75mm<sup>2</sup> (AWG18).

### Control cable

- External command: Red, Green.
- Follow command: White, Black.
- Cable minimum section: 0,34mm<sup>2</sup> (AWG22).
- Maximum cable length: 200m (656ft).

## 6.2.4 LED illuminator switching on threshold adjustment

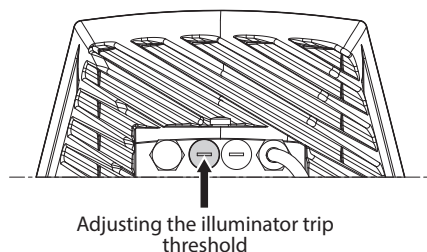


Fig. 11

### 6.2.4.1 Twilight sensor activation threshold adjustment

The illuminator has an integrated twilight sensor that allows its automatic activation and deactivation at predefined luminous conditions.

The twilight sensor is set in the factory at a predetermined luminous level, suitable for most installations (approximately 50lx). If you want to adjust in different ways the threshold, loosen the plug on the illuminator rear and proceed for the adjustment with a screwdriver.

By rotating the trimmer clockwise, the night mode changeover is anticipated (at a greater luminous value). By rotating the trimmer anti-clockwise, the night mode changeover is delayed (at a lower luminous value).

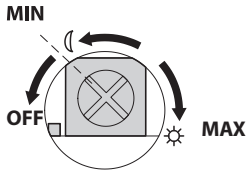


Fig. 12

Wait for appropriate brightness before switching on the illuminator. Rotate the trimmer slowly until the LED on the side of the trimmer switches on. Once the intervention threshold has been surpassed (LED on), rotate it slightly in the opposite direction.



**After making the adjustments make sure that the plug is closed tight to ensure perfect sealing.**

#### 6.2.4.2 Disabling the twilight sensor

To deactivate the illuminator from automatically switching itself on, fully rotate the adjustment trimmer anticlockwise (end run) (Fig. 12, page 10). This way, switching the illuminator on and off will be controlled by an external control (switch).

## 6.2.5 LED illuminator power adjustment

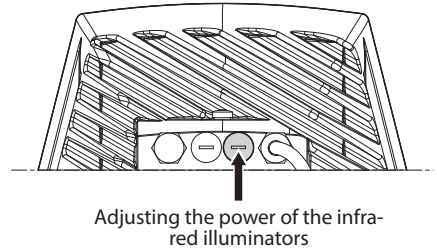


Fig. 13

Loosen the hermetic plug. Rotate the trimmer, clockwise to increase the power of the infrared illuminators and anti-clockwise to decrease it.

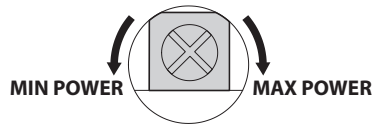


Fig. 14



**After making the adjustments make sure that the plug is closed tight to ensure perfect sealing.**

## 6.3 Operational test

### 6.3.1 Check operation of the twilight sensor

Check operation of the twilight sensor by darkening it with black tape.

## 7 Disposal of waste materials



**This symbol mark and recycle system are applied only to EU countries and not applied to the countries in the other area of the world.**

Your product is designed and manufactured with high quality materials and components which can be recycled and reused.

This symbol means that electrical and electronic equipment, at their end-of-life, should be disposed of separately from your household waste.

Please dispose of this equipment at your local Community waste collection or Recycling centre.

In the European Union there are separate collection systems for used electrical and electronic products.

## 8 Technical data

### 8.1 General

Supplied complete with support

Adjustable built-in twilight sensor for automatic activation and deactivation

### 8.2 Mechanical

Die cast aluminium body

Dimensions: 187x251x242mm (7.4x9.9x9.5in)

Unit weight:

- 1.7kg (3.7lb) (from 12Vdc up to 24Vdc, 24Vac)
- 2.2kg (4.8lb) (from 100Vac up to 240Vac)

### 8.3 Electrical

Power supply/Current consumption:

- From 12Vdc up to 24Vdc, 2.5A max
- 24Vac, 2.5A max, 50/60Hz
- From 100Vac up to 240Vac, 1.5A max, 50/60Hz

Power supply voltages permitted tolerance:

- From 120Vac up to 230Vac:  $\pm 10\%$
- 24Vac or 24Vdc:  $\pm 10\%$
- 12Vdc:  $\pm 5\%$

Input for activation by means of external dry contact

Dry contact output (Follow)

Multipolar cable L: 2m (6.56ft)

- Control: 4x0.34mm<sup>2</sup> (AWG22)
- Power supply from 12Vdc up to 24Vdc, 24Vac: 2x0.75mm<sup>2</sup> (AWG18)
- Power supply from 100Vac up to 240Vac: 3x0.75mm<sup>2</sup> (AWG18)

## 8.4 Illuminators

LED SMD

### GEKO IRN - BEAM PATTERN AND ACHIEVABLE DISTANCES FOR ONE ILLUMINATOR

Horizontal and vertical beam patterns	Maximum distance		
	850nm	940nm	White light
10°	240m (787ft)	140m (460ft)	-
30°	130m (427ft)	80m (262ft)	120m (393ft) <sup>1</sup>
60°	80m (262ft)	60m (197ft)	90m (295ft) <sup>1</sup>

**Tab. 4** The distances and the performance depend on the camera/lens used and on the environmental light conditions.

<sup>1</sup> Achievable distances with camera in Day mode (colour image)

## 8.5 Environment

Indoor/Outdoor

Operating temperature: From -40°C (-40°F) up to +60°C (140°F)

## 8.6 Certifications

Electrical safety (CE): EN60950-1, IEC60950-1

Electromagnetic compatibility (CE): EN50130-4, IEC CISPR22 (Class A), EN55022 (Class A), FCC Part 15 (Class A)

Outdoor installation (CE): EN60950-22, IEC60950-22

Photobiological safety (CE): EN62471

IP protection degree: EN60529, (IP66/IP67)

IK protection degree: EN62262 (IK10)

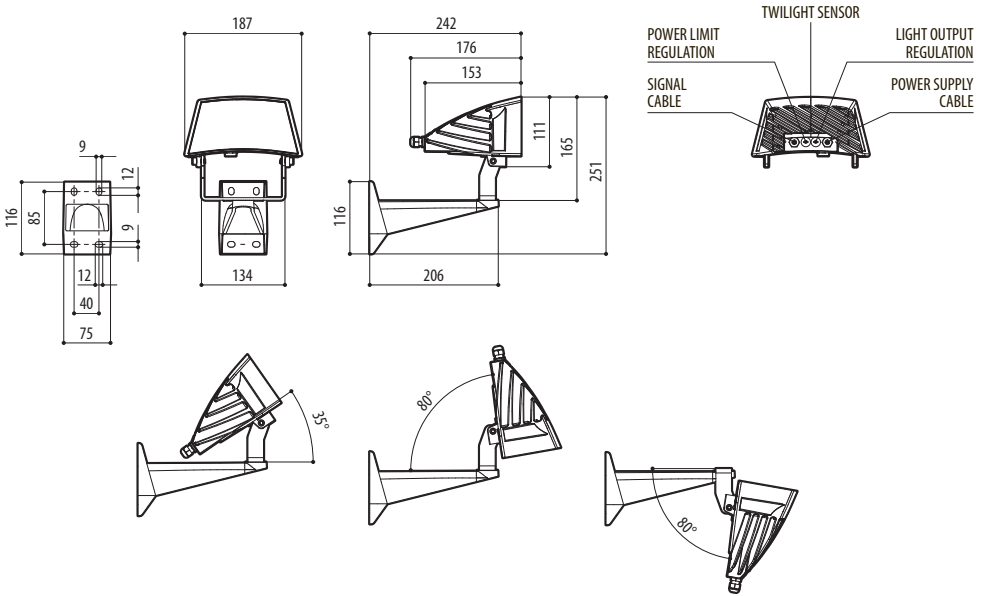
UL certification: cULus Listed (TYPE 4X)

EAC certification

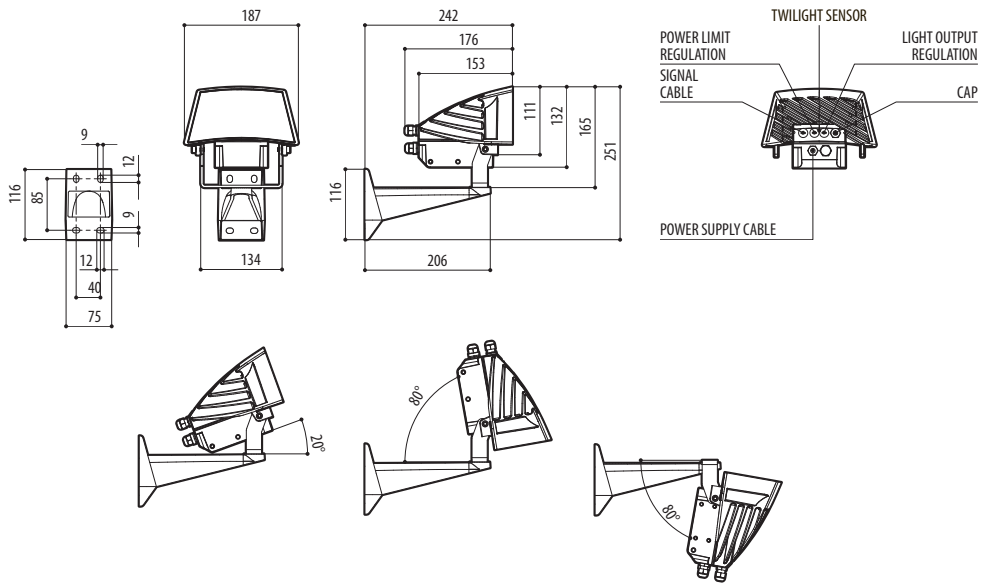
## 9 Technical drawings



The dimensions of the drawings are in millimetres.



**Fig. 15** GEKO IRN (from 12Vdc a 24Vdc, 24Vac).



**Fig. 16** GEKO IRN (from 100Vac a 240Vac).

**Headquarters Italy** Videotec S.p.A.

Via Friuli, 6 - I-36015 Schio (VI) - Italy

Tel. +39 0445 697411 - Fax +39 0445 697414

Email: [info@videotec.com](mailto:info@videotec.com)

**Asia Pacific** Videotec (HK) Ltd

Flat 8, 19/F. On Dak Industrial Building, No. 2-6 Wah Sing Street

Kwai Chung, New Territories - Hong Kong

Tel. +852 2333 0601 - Fax +852 2311 0026

Email: [info.hk@videotec.com](mailto:info.hk@videotec.com)

**France** Videotec France SARL

Immeuble Le Montreal, 19bis Avenue du Québec, ZA de Courtaboeuf  
91140 Villebon sur Yvette - France

Tel. +33 1 60491816 - Fax +33 1 69284736

Email: [info.fr@videotec.com](mailto:info.fr@videotec.com)

**Americas** Videotec Security, Inc.

Gateway Industrial Park, 35 Gateway Drive, Suite 100

Plattsburgh, NY 12901 - U.S.A.

Tel. +1 518 825 0020 - Fax +1 518 825 0022

Email: [info.usa@videotec.com](mailto:info.usa@videotec.com) - [www.videotec.us](http://www.videotec.us)



[www.videotec.com](http://www.videotec.com)

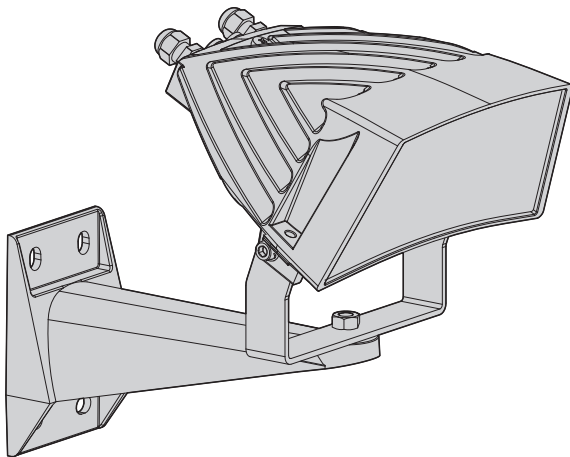
MNVCIRN\_1511\_EN





# GEKO IRN

illuminatore a LED




# Sommario


<b>1 Informazioni sul presente manuale .....</b>	<b>3</b>
1.1 Convenzioni tipografiche .....	3
<b>2 Note sul copyright e informazioni sui marchi commerciali.....</b>	<b>3</b>
<b>3 Norme di sicurezza .....</b>	<b>3</b>
<b>4 Identificazione .....</b>	<b>5</b>
4.1 Descrizione e designazione del prodotto.....	5
4.2 Marcatura del prodotto .....	5
<b>5 Preparazione del prodotto per l'utilizzo.....</b>	<b>6</b>
5.1 Disimballaggio e contenuto .....	6
5.1.1 Disimballaggio.....	6
5.1.2 Contenuto .....	6
5.2 Smaltimento in sicurezza dei materiali di imballaggio.....	6
<b>6 Assemblaggio e installazione.....</b>	<b>6</b>
6.1 Assemblaggio .....	6
6.2 Installazione.....	6
6.2.1 Installazione dell'illuminatore a muro.....	6
6.2.2 Descrizione dei cavi di collegamento .....	7
6.2.2.1 Cavo di alimentazione versione 12Vdc, 24Vdc e 24Vac .....	7
6.2.2.2 Cavo di alimentazione versione da 100Vac a 240Vac.....	8
6.2.2.3 Cavo di controllo.....	8
6.2.3 Specifiche tecniche dei cavi.....	9
6.2.4 Regolazione della soglia di accensione degli illuminatori a LED .....	9
6.2.4.1 Regolazione della soglia di intervento del sensore crepuscolare .....	9
6.2.4.2 Disattivazione del sensore crepuscolare.....	10
6.2.5 Regolazione della potenza degli illuminatori a LED .....	10
6.3 Verifica di funzionamento.....	10
6.3.1 Verifica della funzionalità del sensore crepuscolare.....	10
<b>7 Smaltimento dei rifiuti .....</b>	<b>11</b>
<b>8 Dati tecnici .....</b>	<b>11</b>
8.1 Generale .....	11
8.2 Meccanica.....	11
8.3 Elettrico .....	11
8.4 Illuminatori.....	11
8.5 Ambiente .....	11
8.6 Certificazioni.....	11
<b>9 Disegni tecnici.....</b>	<b>12</b>


# 1 Informazioni sul presente manuale


Prima di installare e utilizzare questa unità, leggere attentamente questo manuale. Conservare questo manuale a portata di mano come riferimento futuro.


## 1.1 Convenzioni tipografiche

 **PERICOLO!**  
Pericolosità elevata.  
Rischio di scosse elettriche. Prima di eseguire qualsiasi operazione assicurarsi di togliere tensione al prodotto, salvo diversa indicazione.

 **PERICOLO!**  
Superficie calda.  
Evitare il contatto. Le superfici sono calde e potrebbero causare danni alla persona in caso di contatto.

 **PERICOLO!**  
Emissione di luce visibile o infrarossa.  
Può essere dannoso per gli occhi. Prestare attenzione alle indicazioni fornite.


 **ATTENZIONE!**  
Pericolosità media.  
L'operazione è molto importante per il corretto funzionamento del sistema. Si prega di leggere attentamente la procedura indicata e di eseguirla secondo le modalità previste.

 **INFO**  
Descrizione delle caratteristiche del sistema.  
Si consiglia di leggere attentamente per comprendere le fasi successive.

## 2 Note sul copyright e informazioni sui marchi commerciali

I nomi di prodotto o di aziende citati sono marchi commerciali o marchi commerciali registrati appartenenti alle rispettive società.

## 3 Norme di sicurezza

 **ATTENZIONE!** L'installazione e la manutenzione del dispositivo deve essere eseguita solo da personale tecnico qualificato.

 Non fissare la lampada in funzione. Può essere dannoso per gli occhi.

 L'illuminatore a LED a luce infrarossa emette luce ad alta intensità visibile. La valutazione foto-biologica di sicurezza, in accordo con la norma EN62471/ IEC62471, ha portato alla classificazione del dispositivo nel Gruppo di Rischio 2, dove si superano i valori del Gruppo Esente. Il rischio correlato all'osservatore dipende da come gli utenti installano e utilizzano il prodotto. Per l'installazione seguire le istruzioni contenute in questo manuale. Non aprire l'illuminatore per qualsiasi motivo. Non guardare l'illuminatore direttamente utilizzando strumenti ottici. Valori di esposizione pericolosa (EHV): 88.1s. Distanze di pericolo (HD): 200mm.

<b>RISK GROUP 2</b>	<b>GROUPE DE RISQUE 2</b>
<p><b>CAUTION:</b> IR emitted from this product. Avoid eye exposure. Use appropriate shielding or eye protection.</p>	<p><b>ATTENTION:</b> IR sont émis par ce produit. Éviter toute exposition des yeux. Utiliser un blindage approprié ou une protection oculaire.</p>

Fig. 1 Illuminatore infrarosso.



**L'illuminatore a LED a luce bianca emette luce ad alta intensità visibile. La valutazione foto-biologica di sicurezza, in accordo con la norma EN62471/IEC62471, ha portato alla classificazione del dispositivo nel Gruppo di Rischio 2, dove si superano i valori del Gruppo Esente. Il rischio correlato all'osservatore dipende da come gli utenti installano e utilizzano il prodotto. Per l'installazione seguire le istruzioni contenute in questo manuale. Non aprire l'illuminatore per qualsiasi motivo. Non guardare l'illuminatore direttamente utilizzando strumenti ottici. Valori di esposizione pericolosa (EHV): 20.8s. Distanze di pericolo (HD): 200mm.**

<b>RISK GROUP 2</b>	<b>GROUPE DE RISQUE 2</b>
<p><b>CAUTION:</b> Possibly hazardous optical radiation emitted from this product. Do not stare at operating lamp. May be harmful to the eye.</p>	<p><b>ATTENTION:</b> Des rayonnements optiques dangereux peuvent être émis par ce produit. Ne pas regarder la lampe directement. Peut être dangereux pour les yeux.</p>

**Fig. 2 Illuminatore a luce bianca.**



**Durante il normale funzionamento la superficie dell'illuminatore può raggiungere temperature elevate. Evitare il contatto diretto e posizionare l'apparecchiatura in luogo non accessibile al personale non autorizzato. Per qualunque operazione di manutenzione spegnere il dispositivo d'illuminazione e lasciarlo raffreddare per almeno 10 minuti.**

- Prima di eseguire qualsiasi operazione assicurarsi di togliere tensione al prodotto.
- Non utilizzare cavi con segni di usura o invecchiamento.
- Non effettuare per nessun motivo alterazioni o collegamenti non previsti in questo manuale. L'uso di apparecchi non idonei può portare a gravi pericoli per la sicurezza del personale e dell'impianto.
- Utilizzare solo parti di ricambio originali. Pezzi di ricambio non originali potrebbero causare incendi, scariche elettriche o altri pericoli.
- Prima di procedere con l'installazione, controllare che il materiale fornito corrisponda alle specifiche richieste esaminando le etichette di marcatura (4.2 Marcatura del prodotto, pagina 5).
- Un dispositivo di scollegamento, prontamente e facilmente accessibile, deve essere incorporato nell'impianto elettrico dell'edificio per un intervento rapido.
- Per la connessione della linea di alimentazione utilizzare l'apposita scatola di connessione (IRNJ BUL). Per ulteriori informazioni fare riferimento al manuale d'uso ed installazione del prodotto.
- Questo è un prodotto di Classe A. In un ambiente residenziale questo prodotto può provocare radiodisturbi. In questo caso può essere richiesto all'utilizzatore di prendere misure adeguate.
- Per essere conforme ai requisiti della normativa sugli abbassamenti e le brevi interruzioni della tensione di alimentazione, utilizzare un adeguato gruppo di continuità (UPS) per alimentare l'unità.

- Il produttore declina ogni responsabilità per eventuali danni derivanti da un uso improprio delle apparecchiature menzionate in questo manuale. Si riserva inoltre il diritto di modificarne il contenuto senza preavviso. Ogni cura è stata posta nella raccolta e nella verifica della documentazione contenuta in questo manuale. Il produttore, tuttavia, non può assumersi alcuna responsabilità derivante dall'utilizzo della stessa. Lo stesso dicasi per ogni persona o società coinvolta nella creazione e nella produzione di questo manuale.

- La categoria di installazione (detta anche categoria di sovratensione) specifica i livelli della tensione transitoria di rete alla quale l'apparato è soggetto. La categoria dipende dal luogo di installazione e dalla presenza di dispositivi di protezione contro le sovratensioni. Un dispositivo per ambienti industriali, connesso ai rami principali dell'impianto di alimentazione è soggetto alla categoria di installazione III. Se questo è il caso, è richiesta una riduzione alla categoria II. Ciò può essere ottenuto utilizzando un trasformatore di isolamento con schermatura connessa a terra tra il primario ed il secondario, o tramite l'impiego di dispositivi di protezione contro le sovratensioni (SPD), UL listed, connessi tra la fase ed il neutro a tra il neutro e terra. I dispositivi SPD UL listed, dovranno essere predisposti per limitare sovratensioni transitorie in modo ripetitivo e per la seguenti condizioni nominali di funzionamento: Tipo 2 (Dispositivi SPD connessi permanentemente alla rete di alimentazione, per installazioni dal lato del carico del dispositivo di servizio); Corrente nominale di scarica (In) 20kA minimi. Si possono utilizzare ad esempio: FERRAZ SHAWMUT, ST23401PG-CN, ST240SPG-CN specificati per 120Vac/240Vac, (In=20kA). La distanza massima tra l'installazione e la riduzione è di 5m.
- In caso di alimentazione in 24Vac, deve essere predisposta un'adeguata separazione dalla linea di alimentazione AC, fornendo un isolamento doppio o rinforzato tra la linea di alimentazione principale e il circuito secondario.

## 4 Identificazione

### 4.1 Descrizione e designazione del prodotto

GEKO illumina l'intera scena in modo omogeneo eliminando macchie di luce e sottoesposizioni per insuperabili immagini notturne e una sicura sorveglianza dell'area. Il corpo dissipatore ad alta efficienza garantisce la massima durata dei LED e protezione contro le sovratemperature, mentre il vetro frontale, in speciale tecnopolimero, offre un'elevata trasmittanza infrarossa. Gli illuminatori sono protetti contro le scariche elettrostatiche.

GEKO è disponibile nelle versioni 24Vac/12-24Vdc oppure 100-240Vac con alimentatore integrato.

GEKO è fornito con supporto per il montaggio a muro con rotazione orizzontale e verticale.

La garanzia di GEKO illuminatore infrarosso è di 5 anni, mentre per GEKO a luce bianca è di 2 anni.

### 4.2 Marcatura del prodotto

Vedere l'etichetta posta sul prodotto.

## 5 Preparazione del prodotto per l'utilizzo

**!** Qualsiasi cambiamento non espressamente approvato dal costruttore fa decadere la garanzia.

### 5.1 Disimballaggio e contenuto

#### 5.1.1 Disimballaggio

Alla consegna del prodotto verificare che l'imballo sia integro e non abbia segni evidenti di cadute o abrasioni.

In caso di evidenti segni di danno all'imballo contattare immediatamente il fornitore.

Conservare l'imballo nel caso sia necessario inviare il prodotto in riparazione.

#### 5.1.2 Contenuto

Controllare che il contenuto sia corrispondente alla lista del materiale sotto elencata:

- Illuminatore con staffa
- Staffa fissaggio a muro
- Viteria
- Manuale di istruzioni

### 5.2 Smaltimento in sicurezza dei materiali di imballaggio

I materiali d'imballo sono costituiti interamente da materiale riciclabile. Sarà cura del tecnico installatore smaltirli secondo le modalità di raccolta differenziata o comunque secondo le norme vigenti nel Paese di utilizzo.

In caso di restituzione del prodotto malfunzionante è consigliato l'utilizzo dell'imballaggio originale per il trasporto.

## 6 Assemblaggio e installazione

**!** Durante il normale funzionamento la superficie dell'illuminatore può raggiungere temperature elevate. Evitare il contatto diretto e posizionare l'apparecchiatura in luogo non accessibile al personale non autorizzato. Per qualunque operazione di manutenzione spegnere il dispositivo d'illuminazione e lasciarlo raffreddare per almeno 10 minuti.

**!** L'assemblaggio e l'installazione vanno eseguiti solo da personale qualificato.

### 6.1 Assemblaggio

Fissare la staffa superiore (01) all'illuminatore tramite le viti e rondelle (02) fornite in dotazione.

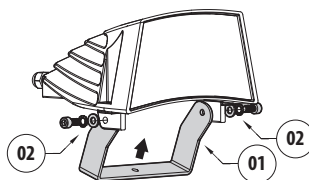


Fig. 3

### 6.2 Installazione

#### 6.2.1 Installazione dell'illuminatore a muro

**i** In fase di installazione è possibile decidere la posizione dell'illuminatore.

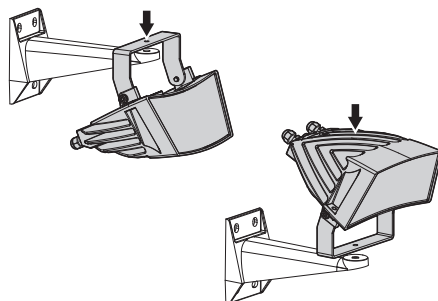
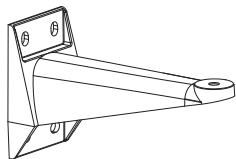


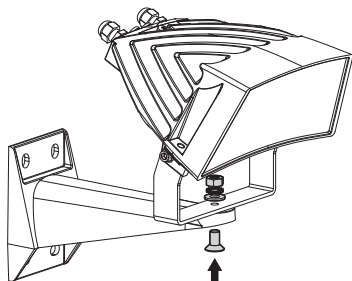
Fig. 4

Fissare la staffa come descritto in figura, serrando a fondo le viti a parete.



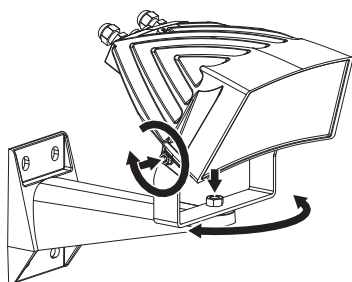
**Fig. 5**

Fissare l'illuminatore completo di staffa tramite vite, dado e rondelle in dotazione.



**Fig. 6**

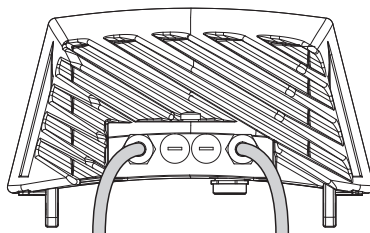
Regolare l'inclinazione verticale ed orizzontale dell'illuminatore agendo sulle apposite viti di fissaggio.



**Fig. 7**

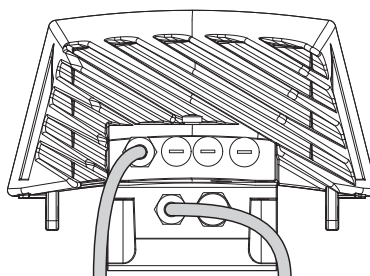
Verificare a monitor il campo di illuminazione ottenuto. Serrare a fondo tutte le viti.

## 6.2.2 Descrizione dei cavi di collegamento



Cavo di controllo Alimentazione

**Fig. 8** Versione 12Vdc, 24Vdc e 24Vac.



Cavo di controllo Alimentazione

**Fig. 9** Versione da 100Vac a 240Vac.

### 6.2.2.1 Cavo di alimentazione versione 12Vdc, 24Vdc e 24Vac



**Il dispositivo è un apparecchio di Classe III. Fornire alimentazione mediante un trasformatore di sicurezza o un alimentatore a tensione continua di tipo SELV.**

L'illuminatore viene fornito con un cordone di alimentazione lungo 2m.

**Cavi di alimentazione (blu, marrone):** Collegare i 2 poli all'alimentatore (24Vac, 50/60Hz oppure 12-24Vdc). Nel caso di alimentazione in corrente continua, la polarità è irrilevante.

Per le lunghezze massime e le sezioni consigliate dei cavi, fare riferimento al relativo capitolo (6.2.3 Specifiche tecniche dei cavi, pagina 9).

## 6.2.2.2 Cavo di alimentazione versione da 100Vac a 240Vac



**Il dispositivo è un apparecchio di Classe I. Il collegamento alla terra di sicurezza del cavo giallo verde è pertanto necessario ai fini della sicurezza elettrica.**

L'illuminatore viene provvisto con un cordone di alimentazione lungo 2m.

### Cavi di alimentazione (blu, marrone, giallo/verde):

Collegare il cavo marrone alla fase, il blu al neutro e il giallo/verde alla terra di sicurezza.

Per le lunghezze massime e le sezioni consigliate dei cavi, fare riferimento al relativo capitolo (6.2.3 Specifiche tecniche dei cavi, pagina 9).

## 6.2.2.3 Cavo di controllo

Il prodotto presenta un cavo di controllo per la gestione di un contatto di ingresso ed un contatto di uscita.

COLORI E FUNZIONALITÀ DEL CAVO DI CONTROLLO	
Colore del conduttore	Funzione
Rosso	Ingresso per accensione tramite contatto pulito esterno
Verde	Ingresso per accensione tramite contatto pulito esterno
Bianco	Uscita contatto pulito (Follow)
Nero	Uscita contatto pulito (Follow)

Tab. 1

**Contatto in ingresso:** Permette l'accensione da remoto dell'illuminatore mediante un contatto pulito applicato tra il conduttore rosso e quello verde. Per un corretto funzionamento, assicurarsi di avere disabilitato il sensore crepuscolare (6.2.4.2 Disattivazione del sensore crepuscolare, pagina 10). Lo stato del contatto di ingresso è il seguente:

- Ingresso contatto aperto (poli rosso e verde isolati): Illuminatore acceso.
- Ingresso contatto chiuso (poli rosso e verde in cortocircuito): Illuminatore spento.



**Evitare di utilizzare lo stesso contatto esterno per l'accensione o spegnimento di 2 o più illuminatori.**

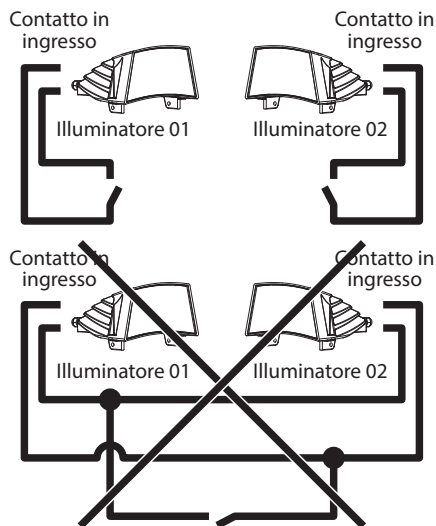


Fig. 10

**Contatto in uscita (Follow):** L'uscita Follow presenta un contatto pulito nei poli bianco e nero. Il contatto di Follow può essere utilizzato per accendere o spegnere in simultanea altri fari presenti nell'impianto oppure controllare lo stato day/night della telecamera. Sia che l'illuminatore venga attivato tramite contatto in ingresso o tramite sensore crepuscolare, lo stato del contatto in uscita (Follow) è il seguente:

- Uscita contatto aperto (poli bianco e nero isolati): Illuminatore acceso.
- Uscita contatto chiuso (poli bianco e nero in cortocircuito): Illuminatore spento.



### 6.2.3 Specifiche tecniche dei cavi

In relazione al tipo di illuminatore e alla tensione di alimentazione, attenersi alle seguenti lunghezze massime per i cavi di alimentazione.

#### Alimentazione, 12Vdc

- Caduta di tensione: 0.6V max.
- Tensione minima all'ingresso del cordone di alimentazione fornito con l'illuminatore: 11.4Vdc.

SPECIFICHE CAVI (ALIMENTAZIONE, 12VDC)		
Sezione cavo	AWG	Lunghezza massima
0.75mm <sup>2</sup>	18	4.5m
1mm <sup>2</sup>	17	6.5m
1.5mm <sup>2</sup>	16	9m
2.5mm <sup>2</sup>	14	15m
4mm <sup>2</sup>	10	24m

Tab. 2

#### Alimentazione, 24Vac oppure 24Vdc

- Caduta di tensione: 3V max.
- Tensione minima all'ingresso del cordone di alimentazione fornito con l'illuminatore: 21Vac.

SPECIFICHE CAVI (ALIMENTAZIONE, 24VAC OPPURE 24VDC)		
Sezione cavo	AWG	Lunghezza massima
0.75mm <sup>2</sup>	18	35m
1mm <sup>2</sup>	17	50m
1.5mm <sup>2</sup>	16	80m
2.5mm <sup>2</sup>	14	120m
4mm <sup>2</sup>	10	200m

Tab. 3

#### Alimentazione, da 100Vac a 240Vac

- La sezione dei cavi è meno critica e non è richiesta nessuna prescrizione particolare. Assicurare una efficace connessione di terra per la sicurezza.
- Sezione minima del cavo: 0.75mm<sup>2</sup> (AWG18).

#### Cavo di controllo

- Comando esterno: Rosso, Verde.
- Comando Follow: Bianco, Nero.
- Sezione minima del cavo: 0,34mm<sup>2</sup> (AWG22).
- Lunghezza massima del cavo: 200m.

### 6.2.4 Regolazione della soglia di accensione degli illuminatori a LED

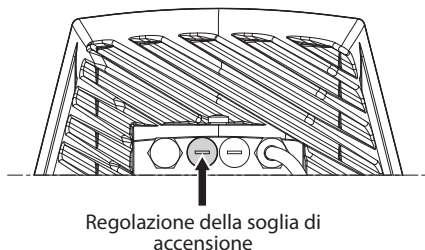


Fig. 11

#### 6.2.4.1 Regolazione della soglia di intervento del sensore crepuscolare

L'illuminatore ha un sensore crepuscolare integrato che consente l'accensione e lo spegnimento automatico a condizioni luminose prestabilite.

La regolazione del sensore crepuscolare è effettuata in fabbrica ad un livello luminoso prefissato ed idoneo alla maggior parte delle installazioni (circa 50lx). Nel caso si voglia regolare in maniera diversa la soglia di intervento, svitare il tappo posizionato sul retro dell'illuminatore e provvedere alla regolazione tramite un cacciavite.

Ruotando il trimmer in senso orario la commutazione in modalità notturna è anticipata (ad un valore di luminosità maggiore). Ruotando il trimmer in senso antiorario la commutazione in modalità notturna è ritardata (ad un valore di luminosità inferiore).

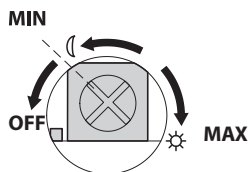


Fig. 12

Attendere le condizioni di luminosità adeguate per l'accensione dell'illuminatore. Ruotare lentamente il trimmer fino all'accensione del LED presente a lato del trimmer. Una volta oltrepassata la soglia di intervento (LED acceso), ruotare leggermente in senso opposto.

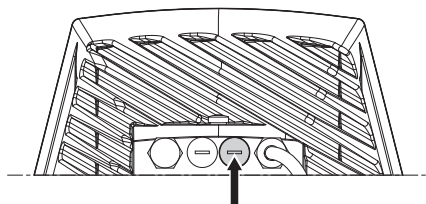


**Al termine delle regolazioni accertarsi che il tappo di chiusura sia adeguatamente serrato per garantire la tenuta ermetica del prodotto.**

### 6.2.4.2 Disattivazione del sensore crepuscolare

Per disabilitare l'accensione automatica dell'illuminatore, ruotare completamente in senso antiorario (fine corsa) il trimmer di regolazione (Fig. 12, pagina 10). In questo modo lo spegnimento e l'accensione dell'illuminatore sono controllate da un comando esterno (interruttore).

## 6.2.5 Regolazione della potenza degli illuminatori a LED



Regolazione della potenza degli infrarossi

Fig. 13

Svitare il tappo di chiusura ermetica. Ruotare il trimmer in senso orario per aumentare la potenza degli infrarossi e in senso antiorario per diminuirla.



Fig. 14



**Al termine delle regolazioni accertarsi che il tappo di chiusura sia adeguatamente serrato per garantire la tenuta ermetica del prodotto.**

## 6.3 Verifica di funzionamento

### 6.3.1 Verifica della funzionalità del sensore crepuscolare

Verificare la funzionalità del sensore crepuscolare oscurandolo con del nastro nero.

## 7 Smaltimento dei rifiuti



**Questo simbolo e il sistema di riciclaggio sono validi solo nei paesi dell'EU e non trovano applicazione in altri paesi del mondo.**

Il vostro prodotto è costruito con materiali e componenti di alta qualità, che sono riutilizzabili o riciclabili.

Prodotti elettrici ed elettronici che riportano questo simbolo, alla fine dell'uso, devono essere smaltiti separatamente dai rifiuti casalinghi.

Vi preghiamo di smaltire questo apparecchio in un Centro di raccolta o in un'Ecostazione.

Nell'Unione Europea esistono sistemi di raccolta differenziata per prodotti elettrici ed elettronici.

## 8 Dati tecnici

### 8.1 Generale

Fornito completo di supporto

Sensore crepuscolare integrato regolabile per accensione e spegnimento automatico

### 8.2 Meccanica

Corpo in pressofusione di alluminio

Dimensioni: 187x251x242mm

Peso unitario:

- 1.7kg (da 12Vdc fino a 24Vdc, 24Vac)
- 2.2kg (da 100Vac fino a 240Vac)

### 8.3 Elettrico

Tensione di alimentazione/Corrente assorbita:

- Da 12Vdc fino a 24Vdc, 2.5A max
- 24Vac, 2.5A max, 50/60Hz
- Da 100Vac fino a 240Vac, 1.5A max, 50/60Hz

Tolleranze ammesse per le tensioni di alimentazione:

- Da 120Vac fino a 230Vac:  $\pm 10\%$
- 24Vac oppure 24Vdc:  $\pm 10\%$
- 12Vdc:  $\pm 5\%$

Ingresso per accensione tramite contatto pulito esterno

Uscita contatto pulito (Follow)

Cavo multipolare L: 2m

- Controllo:  $4 \times 0.34 \text{mm}^2$  (AWG22)
- Alimentazione da 12Vdc fino a 24Vdc, 24Vac:  $2 \times 0.75 \text{mm}^2$  (AWG18)
- Alimentazione da 100Vac fino a 240Vac:  $3 \times 0.75 \text{mm}^2$  (AWG18)

## 8.4 Illuminatori

LED SMD

### GEKO IRN - ANGOLO DI DIFFUSIONE E DISTANZE ILLUMINATORE SINGOLO

Angolo di diffusione orizzontale e verticale	Distanza massima		
	850nm	940nm	Luce bianca
10°	240m	140m	–
30°	130m	80m	120m <sup>1</sup>
60°	80m	60m	90m <sup>1</sup>

**Tab. 4** Le distanze e le prestazioni dipendono dal tipo di telecamera/obiettivo usati e dalle condizioni di luce ambientali.

<sup>1</sup> Distanze ottenute con telecamera impostata in modalità Giorno (immagine a colori).

## 8.5 Ambiente

Interno/Esterno

Temperatura di esercizio: Da  $-40^\circ\text{C}$  fino a  $+60^\circ\text{C}$

## 8.6 Certificazioni

Sicurezza elettrica (CE): EN60950-1, IEC60950-1

Compatibilità elettromagnetica (CE): EN50130-4, IEC CISPR22 (Classe A), EN55022 (Classe A), FCC Part 15 (Classe A)

Installazione all'esterno (CE): EN60950-22, IEC60950-22

Sicurezza fotobiologica (CE): EN62471

Grado di protezione IP: EN60529, (IP66/IP67)

Grado di protezione IK: EN62262 (IK10)

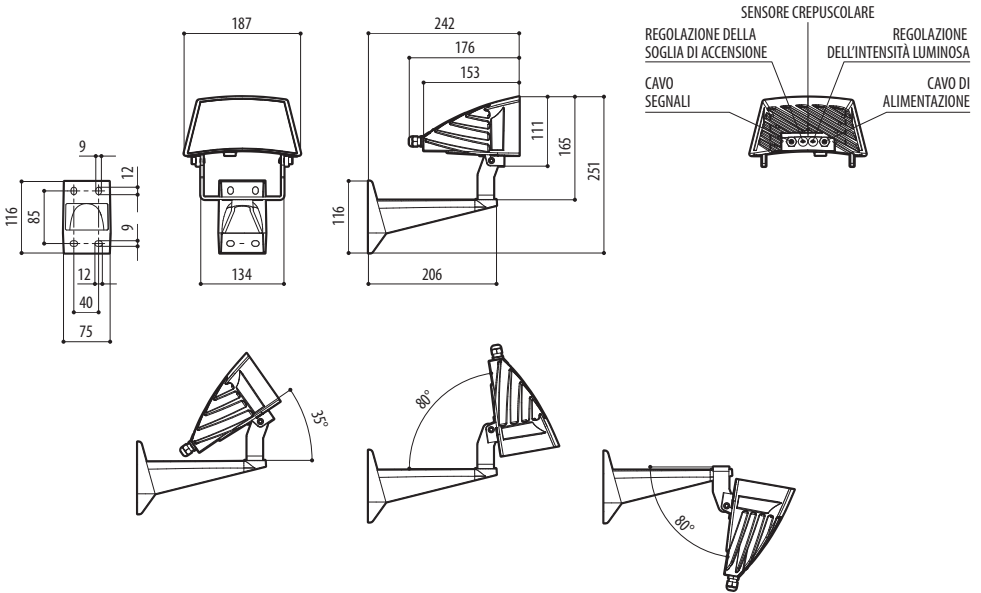
Certificazione UL: cULus Listed (TYPE 4X)

Certificazione EAC

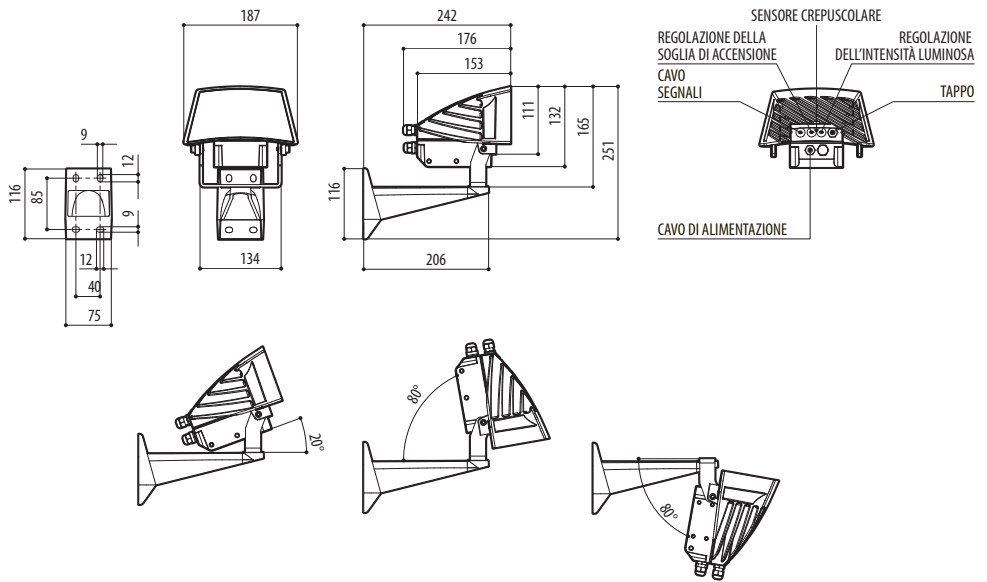
## 9 Disegni tecnici



Le dimensioni dei disegni sono espresse in millimetri.



**Fig. 15** GEKO IRN (da 12Vdc a 24Vdc, 24Vac).



**Fig. 16** GEKO IRN (da 100Vac a 240Vac).

**Headquarters Italy** Videotec S.p.A.

Via Friuli, 6 - I-36015 Schio (VI) - Italy

Tel. +39 0445 697411 - Fax +39 0445 697414

Email: [info@videotec.com](mailto:info@videotec.com)

**Asia Pacific** Videotec (HK) Ltd

Flat 8, 19/F. On Dak Industrial Building, No. 2-6 Wah Sing Street

Kwai Chung, New Territories - Hong Kong

Tel. +852 2333 0601 - Fax +852 2311 0026

Email: [info.hk@videotec.com](mailto:info.hk@videotec.com)

**France** Videotec France SARL

Immeuble Le Montreal, 19bis Avenue du Québec, ZA de Courtaboeuf  
91140 Villebon sur Yvette - France

Tel. +33 1 60491816 - Fax +33 1 69284736

Email: [info.fr@videotec.com](mailto:info.fr@videotec.com)

**Americas** Videotec Security, Inc.

Gateway Industrial Park, 35 Gateway Drive, Suite 100

Plattsburgh, NY 12901 - U.S.A.

Tel. +1 518 825 0020 - Fax +1 518 825 0022

Email: [info.usa@videotec.com](mailto:info.usa@videotec.com) - [www.videotec.us](http://www.videotec.us)



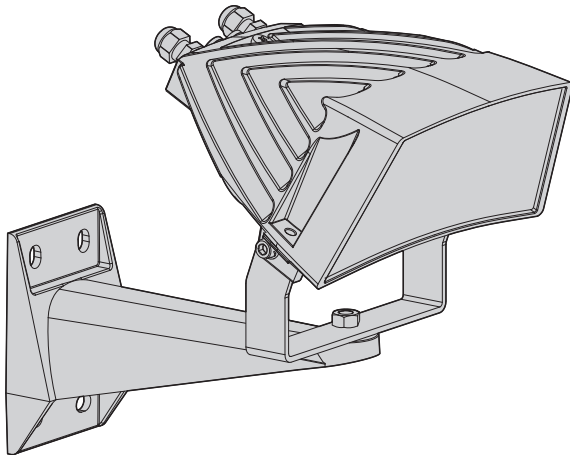
[www.videotec.com](http://www.videotec.com)

MNVCIRN\_1511\_IT



# GEKO IRN

Projecteur à LED



# Sommaire

<b>1 À propos de ce mode d'emploi .....</b>	<b>3</b>
1.1 Conventions typographiques .....	3
<b>2 Notes sur le copyright et informations sur les marques de commerce .....</b>	<b>3</b>
<b>3 Normes de sécurité.....</b>	<b>3</b>
<b>4 Identification.....</b>	<b>5</b>
4.1 Description et désignation du produit .....	5
4.2 Marquage du produit.....	5
<b>5 Préparation du produit en vue de l'utilisation.....</b>	<b>6</b>
5.1 Déballage et contenu.....	6
5.1.1 Déballage .....	6
5.1.2 Contenu .....	6
5.2 Élimination sans danger des matériaux d'emballage.....	6
<b>6 Assemblage et installation .....</b>	<b>6</b>
6.1 Assemblage .....	6
6.2 Installation.....	6
6.2.1 Installation du projecteur sur le mur.....	6
6.2.2 Description des câbles de raccord .....	7
6.2.2.1 Câble d'alimentation version 12Vdc, 24Vdc et 24Vac.....	7
6.2.2.2 Câble d'alimentation version de 100 Vac à 240 Vac .....	8
6.2.2.3 Câble de contrôle.....	8
6.2.3 Spécifications techniques des câbles.....	9
6.2.4 Réglage du seuil d'allumage des projecteurs à LED.....	9
6.2.4.1 Réglage du seuil d'intervention du capteur crépusculaire.....	9
6.2.4.2 Désactivation du capteur crépusculaire.....	10
6.2.5 Réglage de la puissance des projecteurs à LED.....	10
6.3 Contrôle de fonctionnement.....	10
6.3.1 Contrôle de fonctionnement du capteur crépusculaire.....	10
<b>7 Élimination des déchets .....</b>	<b>11</b>
<b>8 Données techniques.....</b>	<b>11</b>
8.1 Généralités .....	11
8.2 Mécanique.....	11
8.3 Électrique.....	11
8.4 Projecteurs .....	11
8.5 Environnement.....	11
8.6 Certifications .....	11
<b>9 Dessins techniques.....</b>	<b>12</b>



# 1 À propos de ce mode d'emploi

Avant d'installer et d'utiliser cet appareil, veuillez lire attentivement ce mode d'emploi. Conservez-le à portée de main pour pouvoir vous y reporter en cas de besoin.

## 1.1 Conventions typographiques



### DANGER!

Risque élevé.

Risque de choc électrique. Sauf indication contraire, sectionner l'alimentation avant de procéder à toute opération.



### DANGER!

Surface à température élevée.

Évitez le contact. La température des surfaces est élevée et leur contact peut provoquer des blessures corporelles.



### DANGER!

Émission de lumière visible ou infrarouge. Peut être dangereux pour les yeux. Suivre les indications fournies.



### ATTENTION!

Risque moyen.

Opération extrêmement importante en vue d'un fonctionnement correct du système; lire avec attention les opérations indiquées et s'y conformer rigoureusement.



### REMARQUE

Description des caractéristiques du système.

Il est conseillé de procéder à une lecture attentive pour une meilleure compréhension des phases suivantes.

## 3 Normes de sécurité



**ATTENTION!** L'installation et l'entretien du dispositif doivent être exclusivement effectués par un personnel technique qualifié.



Ne pas fixer l'ampoule lorsqu'elle est en marche. Peut être dangereux pour les yeux.



Le projecteur à LED à lumière infrarouge émet de la lumière à haute intensité visible. L'évaluation photo-biologique de sécurité, conformément à la norme EN62471/CEI62471, a donné le classement du dispositif dans le Groupe de Risque 2, où les valeurs du Groupe Exonéré sont dépassées. Le risque lié à l'observateur dépend de la manière dont les utilisateurs installent et utilisent le produit. Pour l'installation, suivre les instructions de ce manuel. N'ouvrir le projecteur sous aucun prétexte. Ne pas regarder directement le projecteur en utilisant des instruments optiques. Valeurs d'exposition dangereuse (EHV): 88.1s. Distances de danger (HD): 200mm.

RISK GROUP 2	GRUPE DE RISQUE 2
<p><b>CAUTION:</b> IR emitted from this product. Avoid eye exposure. Use appropriate shielding or eye protection.</p>	<p><b>ATTENTION:</b> IR sont émis par ce produit. Éviter toute exposition des yeux. Utiliser un blindage approprié ou une protection oculaire.</p>

Fig. 1 Projecteur infrarouge.

## 2 Notes sur le copyright et informations sur les marques de commerce

Les noms de produit ou de sociétés cités sont des marques de commerce ou des marques de commerce enregistrées.



**Le projecteur à LED à lumière blanche émet de la lumière à haute intensité visible. L'évaluation photo-biologique de sécurité, conformément à la norme EN62471/ CEI62471, a donné le classement du dispositif dans le Groupe de Risque 2, où les valeurs du Groupe Exonéré sont dépassées. Le risque lié à l'observateur dépend de la manière dont les utilisateurs installent et utilisent le produit. Pour l'installation, suivre les instructions de ce manuel. N'ouvrir le projecteur sous aucun prétexte. Ne pas regarder directement le projecteur en utilisant des instruments optiques. Valeurs d'exposition dangereuse (EHV): 20.8s. Distances de danger (HD): 200mm.**

RISK GROUP 2	GRUPE DE RISQUE 2
<p><b>CAUTION:</b> Possibly hazardous optical radiation emitted from this product. Do not stare at operating lamp. May be harmful to the eye.</p>	<p><b>ATTENTION:</b> Des rayonnements optiques dangereux peuvent être émis par ce produit. Ne pas regarder la lampe directement. Peut être dangereux pour les yeux.</p>

**Fig. 2 Projecteur à lumière blanche.**



**Durant le fonctionnement normal, la surface du projecteur peut atteindre des températures élevées. Éviter le contact direct et positionner l'appareil dans un endroit non accessible au personnel non autorisé. Avant de la toucher, éteindre le dispositif d'illumination et le laisser refroidir durant 10 minutes minimum.**

- Le fabricant décline toute responsabilité pour les dommages éventuels dus à une utilisation non appropriée des appareils mentionnés dans ce manuel. On réserve en outre le droit d'en modifier le contenu sans préavis. La documentation contenue dans ce manuel a été rassemblée et vérifiée avec le plus grand soin. Le fabricant, cependant, ne peut assumer aucune responsabilité dérivant de l'emploi de celle là. La même chose vaut pour chaque personne ou société impliquées dans la création et la production de ce manuel.

- Sectionner l'alimentation avant de procéder à toute opération.
- Ne pas utiliser de câbles usés ou endommagés.
- Ne procéder sous aucun prétexte à des modifications ou des connexions non prévues dans ce manuel. L'utilisation d'appareils non adéquats peut comporter des dangers graves pour la sécurité du personnel et de l'installation.
- Utiliser uniquement des pièces de rechange d'origine. Les pièces non d'origine peuvent être source d'incendies, de choc électrique ou autres.
- Avant de procéder à l'installation, contrôler que le matériel fourni correspond à la commande et examiner les étiquettes de marquage (4.2 Marquage du produit, page 5).
- Un dispositif de déconnexion, rapide et facile d'accès, doit être incorporé dans le circuit électrique du bâtiment pour une intervention rapide.
- Pour raccorder la ligne d'alimentation utiliser le boîtier de connexion spécifique (IRNJBUL). Pour plus d'informations, se référer au manuel d'utilisation et d'installation du produit.
- Ce produit appartient à la Classe A. Dans un milieu résidentiel ce produit peut être la cause de radioperturbations. Dans ce cas il est préférable de prendre des mesures appropriées.
- Pour être conforme aux règlements sur les chutes et les coupures de tension d'alimentation, veuillez utiliser un onduleur (UPS) approprié pour alimenter l'appareil.

- La catégorie d'installation (ou catégorie de surtension) spécifie les niveaux de la tension de secteur correspondant à l'appareil. La catégorie dépend du lieu d'installation et du dispositif de protection contre les surtensions installé. En cas d'environnement industriel directement connecté aux circuits de dérivation du système d'alimentation, l'équipement est classé dans la catégorie d'installation III. Dans ce cas, un déclassement à la catégorie II est nécessaire et peut être obtenu au moyen d'un transformateur d'isolement avec blindage électrostatique entre le primaire et le secondaire ou en utilisant des dispositifs de protection contre les surtensions (SPD) entre la phase et le neutre et entre le neutre et la terre. Les dispositifs SPD UL cités doivent être prévus pour limiter les surtensions transitoires en mode répétitif et pour les conditions nominales de fonctionnement suivantes : Type 2 (dispositifs SPD reliés en permanence au côté charge du côté du dispositif de protection contre les surintensités) ; courant nominal de décharge (In) 20kA min. Exemples d'utilisation possible : FERRAZ SHAWMUT, ST23401PG-CN, ST240SPG-CN spécifiés pour 120Vac/240Vca, (In=20kA). La distance maximale entre installation et réduction est de 5m.
- En cas d'alimentation à 24 Vac, une coupure appropriée de la ligne d'alimentation AC doit être prévue, en fournissant une isolation double ou renforcée entre la ligne d'alimentation principale et le circuit secondaire.

## 4 Identification

### 4.1 Description et désignation du produit

Le projecteur GEKO éclaire toute la scène de manière homogène, éliminant les tâches de lumière et les sous-expositions et obtenant ainsi d'excellentes images nocturnes et une surveillance sûre de la zone. Le corps dissipateur à haut rendement garantit la durée maximale des LED et une protection contre les surchauffes des plus importantes, tandis que le verre frontal, en techno-polymère spécial, offre une élevée transmission infrarouge. Les projecteurs sont protégés des décharges électrostatiques.

Le projecteur est disponible dans les versions 24Vac/12-24Vdc ou 100-240Vac avec alimentation intégrée.

GEKO est fourni avec un support pour le montage mural avec rotation horizontale et verticale.

La garantie de GEKO projecteur infrarouge est de 5 ans, tandis que pour GEKO avec lumière blanche est de 2 ans.

### 4.2 Marquage du produit

Voir l'étiquette positionné sur le produit.

## 5 Préparation du produit en vue de l'utilisation



Toute modification non approuvée expressément par le fabricant entraînera l'annulation de la garantie.

### 5.1 Déballage et contenu

#### 5.1.1 Déballage

Lors de la livraison du produit, vérifier que l'emballage est en bon état et l'absence de tout signe évident de chute ou d'abrasion.

En cas de dommages évidents, contacter immédiatement le fournisseur.

Conserver l'emballage en cas de nécessité d'expédition du produit pour réparation.

#### 5.1.2 Contenu

Contrôler que le contenu correspond à la liste matériel indiquée ci-dessous:

- Projecteur avec étrier
- Etrier de fixation mural
- Vis
- Manuel d'instructions

## 5.2 Élimination sans danger des matériaux d'emballage

Le matériel d'emballage est entièrement composé de matériaux recyclables. Le technicien chargé de l'installation est tenu de l'éliminer conformément aux dispositions en matière de collecte sélective et selon les normes en vigueur dans le pays d'utilisation.

En cas de retour du produit défectueux, il est conseillé d'utiliser l'emballage original pour le transport.

## 6 Assemblage et installation



Durant le fonctionnement normal, la surface du projecteur peut atteindre des températures élevées. Éviter le contact direct et positionner l'appareil dans un endroit non accessible au personnel non autorisé. Avant de la toucher, éteindre le dispositif d'illumination et le laisser refroidir durant 10 minutes minimum.



L'assemblage et l'installation doivent être effectués par un personnel qualifié.

### 6.1 Assemblage

Fixer l'étrier supérieur (01) et le projecteur avec les vis et les rondelles (02) fournies.

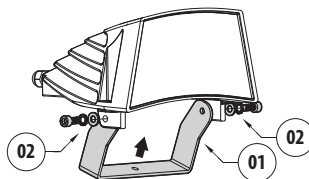


Fig. 3

### 6.2 Installation

#### 6.2.1 Installation du projecteur sur le mur



On peut décider la position du projecteur lors de la phase d'installation.

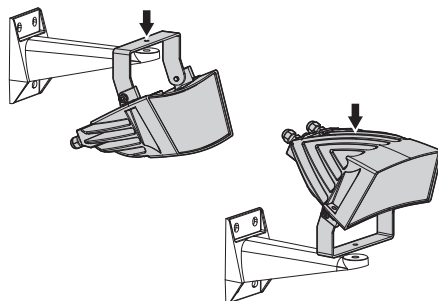


Fig. 4

Fixer l'étrier comme illustré sur la figure, en serrant à fonds les vis sur le mur.

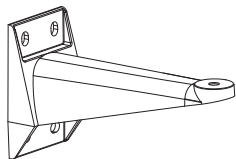


Fig. 5

Fixer le projecteur ainsi que l'étrier avec la vis, l'écrou et les rondelles fournis.

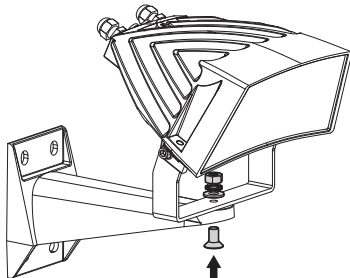


Fig. 6

Régler l'inclinaison verticale et horizontale du projecteur en agissant sur les vis de fixation correspondantes.

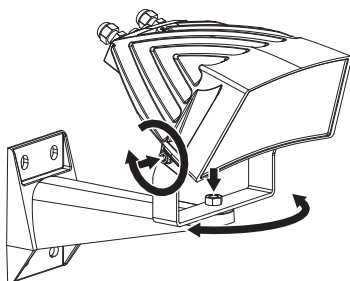
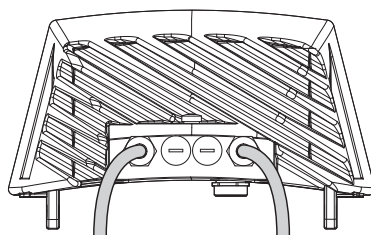


Fig. 7

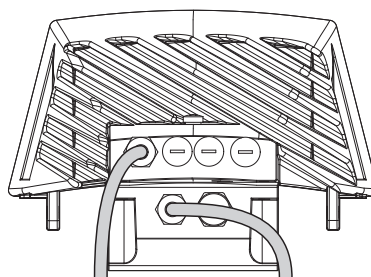
Vérifier sur le moniteur le champ d'éclairage obtenu. Serrer à fond toutes les vis.

## 6.2.2 Description des câbles de raccord



Câble de contrôle Alimentation

Fig. 8 Version 12Vdc, 24Vdc et 24Vac.



Câble de contrôle Alimentation

Fig. 9 Version de 100Vac jusqu'à 240Vac.

### 6.2.2.1 Câble d'alimentation version 12Vdc, 24Vdc et 24Vac



**Le dispositif est un appareil de Classe III. Fournir l'alimentation par un transformateur de sécurité ou une alimentation en tension continue de type SELV.**

Le projecteur est équipé d'un cordon d'alimentation de 2m de long.

**Câbles d'alimentation (bleu, marron):** Brancher les 2 pôles à l'alimentation (24Vac, 50/60Hz ou 12-24Vdc.) En cas d'alimentation en courant continu, la polarité est insignifiante.

Pour les longueurs maximales et les sections conseillées pour les câbles, se reporter au chapitre correspondant (6.2.3 Spécifications techniques des câbles, page 9).

## 6.2.2.2 Câble d'alimentation version de 100 Vac à 240 Vac



**Le dispositif est un appareil de Classe I. Le raccordement du câble jaune vert à la terre de sécurité est par conséquent nécessaire à la sécurité électrique.**

Le projecteur est équipé d'un cordon d'alimentation de 2m de long.

**Câbles d'alimentation (bleue, marron, jaune/vert):** Brancher le câble marron à la phase, le bleu au neutre et le jaune vert à la terre de sécurité.

Pour les longueurs maximales et les sections conseillées pour les câbles, se reporter au chapitre correspondant (6.2.3 Spécifications techniques des câbles, page 9).

### 6.2.2.3 Câble de contrôle

Le produit a un câble de contrôle pour la gestion d'un contact d'entrée et d'un contact de sortie.

COULEURS ET CARACTÉRISTIQUES DU CÂBLE DE CONTRÔLE	
Couleur du conducteur	Fonction
Rouge	Entrée pour allumage par contact sec externe
Vert	Entrée pour allumage par contact sec externe
Blanc	Sortie contact sec (Follow)
Noir	Sortie contact sec (Follow)

Tab. 1

**Contact en entrée:** Cela permet un allumage à distance du projecteur au moyen d'un contact sec appliqué entre les conducteurs des câbles rouge et vert. Pour un fonctionnement correct, s'assurer d'avoir désactivé le capteur crépusculaire (6.2.4.2 Désactivation du capteur crépusculaire, page 10). L'état du contact d'entrée est le suivant :

- Entrée contact ouvert (pôles rouge et vert isolés): Projecteur allumé.
- Entrée du contact clos (pôles rouge et vert en court-circuit): Projecteur éteint.



**Évitez d'utiliser le même contact externe pour l'allumage ou l'arrêt de 2 ou plusieurs projecteurs.**

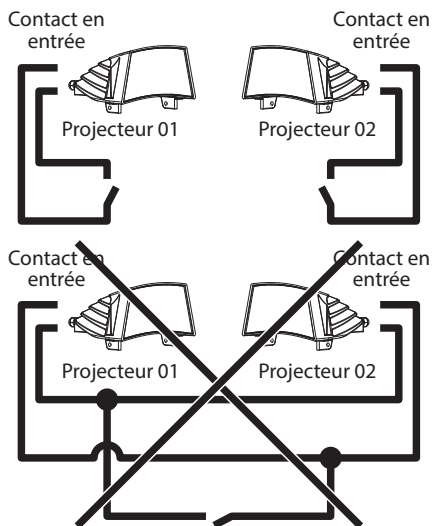


Fig. 10

**Contact en sortie (Follow):** La sortie Follow a un contact sec dans les pôles blanc et noir. Le contact Follow peut être utilisé pour allumer ou pour éteindre en simultanée d'autres projecteurs présents dans l'installation ou pour contrôler l'état jour/nuit de la caméra. Que vous activiez le projecteur par le contact ou par le capteur crépusculaire, l'état du contact en entrée (Follow) est le suivant:

- Sortie contact ouvert (pôles blanc et noir isolés): Projecteur allumé.
- Sortie contact clos (pôles blanc et noir en court-circuit): Projecteur éteint.

## 6.2.3 Spécifications techniques des câbles

Par rapport au type de projecteur et à la tension d'alimentation, respecter les longueurs maximales suivantes pour les câbles d'alimentation.

### Alimentation, 12Vdc

- Chute de tension: 0.6V max.
- Tension minimale à l'entrée du cordon d'alimentation fourni avec le projecteur: 11.4Vdc.

CÂBLES SPÉCIFIQUES (ALIMENTATION, 12VDC)		
Section du câble	AWG	Longueur maximale
0.75mm <sup>2</sup>	18	4.5m
1mm <sup>2</sup>	17	6.5m
1.5mm <sup>2</sup>	16	9m
2.5mm <sup>2</sup>	14	15m
4mm <sup>2</sup>	10	24m

Tab. 2

### Alimentation, 24Vac ou 24Vdc

- Chute de tension: 3V max.
- Tension minimale à l'entrée du cordon d'alimentation fourni avec le projecteur: 21Vac.

CÂBLES SPÉCIFIQUES (ALIMENTATION, 24VAC OU 24VDC)		
Section du câble	AWG	Longueur maximale
0.75mm <sup>2</sup>	18	35m
1mm <sup>2</sup>	17	50m
1.5mm <sup>2</sup>	16	80m
2.5mm <sup>2</sup>	14	120m
4mm <sup>2</sup>	10	200m

Tab. 3

### Alimentation, de 100Vac a 240Vac

- La section des câbles est moins critique et ne requiert aucune prescription particulière. S'assurer une connexion de terre efficace pour la sécurité.
- Section minimale du câble: 0.75mm<sup>2</sup> (AWG18).

### Câble de contrôle

- Commande externe: Rouge, Vert.
- Commande Follow: Blanc, Noir.
- Section minimale du câble: 0,34mm<sup>2</sup> (AWG22).
- Longueur maximum du câble: 200m.

## 6.2.4 Réglage du seuil d'allumage des projecteurs à LED

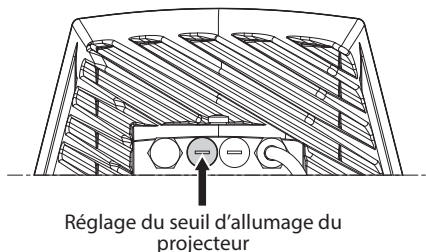


Fig. 11

### 6.2.4.1 Réglage du seuil d'intervention du capteur crépusculaire

Le projecteur a un capteur crépusculaire intégrée qui permet un allumage et un arrêt automatique à conditions lumineuses préétablies.

Le réglage du capteur crépusculaire est effectué en usine à un niveau lumineux fixé et approprié à la plupart des installations (environ 50lx). Si l'on souhaite régler différemment le seuil d'intervention, dévisser le bouchon situé à l'arrière du projecteur et effectuer le réglage avec un tournevis.

En tournant le bouton de réglage dans le sens des aiguilles d'une montre, la commutation en mode nocturne est avancée (à une valeur de luminosité supérieure.) En tournant le bouton de réglage dans le sens inverse des aiguilles d'une montre, la commutation en mode nocturne est retardée (à une valeur de luminosité inférieure.)

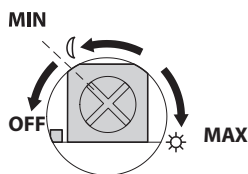


Fig. 12

Attendre les conditions de luminosité appropriées pour allumer le projecteur. Tourner lentement le trimmer jusqu'à ce que la LED présente sur le côté s'allume. Une fois que le seuil d'intervention (LED allumée) est dépassé, tourner légèrement dans le sens contraire.

**⚠ Au terme des réglages, vérifier que le bouchon de fermeture soit bien serré pour garantir l'étanchéité hermétique du produit.**

#### 6.2.4.2 Désactivation du capteur crépusculaire

Pour désactiver l'allumage automatique du projecteur, tourner entièrement le trimmer de réglage dans le sens contraire des aiguilles d'une montre (fin de course) (Fig. 12, page 10). Ainsi, l'extinction et l'allumage du projecteur sont contrôlés par une commande externe (interrupteur).

### 6.2.5 Réglage de la puissance des projecteurs à LED

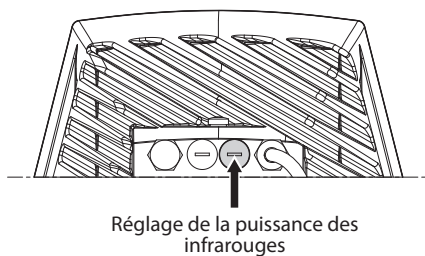


Fig. 13

Dévisser tout d'abord le bouchon de fermeture hermétique. Tourner le trimmer, dans le sens horaire pour augmenter la puissance des infrarouges et dans le sens antihoraire pour l'abaisser.

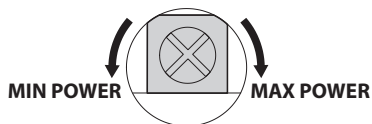


Fig. 14

**⚠ Au terme des réglages, vérifier que le bouchon de fermeture soit bien serré pour garantir l'étanchéité hermétique du produit.**

## 6.3 Contrôle de fonctionnement

### 6.3.1 Contrôle de fonctionnement du capteur crépusculaire

Vérifier le fonctionnement du capteur crépusculaire en l'obscurissant avec du ruban noir.



# 7 Élimination des déchets



**Ce symbole et le système de recyclage ne sont appliqués que dans les pays UE et non dans les autres pays du monde.**

Votre produit est conçu et fabriqué avec des matériels et des composants de qualité supérieure qui peuvent être recyclés et réutilisés.

Ce symbole signifie que les équipements électriques et électroniques en fin de vie doivent être éliminés séparément des ordures ménagères.

Nous vous prions donc de confier cet équipement à votre Centre local de collecte ou Recyclage.

Dans l'Union Européenne, il existe des systèmes sélectifs de collecte pour les produits électriques et électroniques usagés.

## 8 Données techniques

### 8.1 Généralités

Fourni avec le support

Capteur crépusculaire intégrée et réglable pour allumage et extinction automatique

### 8.2 Mécanique

Corps en fonte d'aluminium

Dimensions: 187x251x242mm

Poids net:

- 1.7kg (de 12Vdc jusqu'à 24Vdc, 24Vac)
- 2.2kg (de 100Vac jusqu'à 240Vac)

### 8.3 Électrique

Tension d'alimentation/Courant absorbé:

- De 12Vdc jusqu'à 24Vdc, 2.5A max
- 24Vac, 2.5A max, 50/60Hz
- De 100Vac jusqu'à 240Vac, 1.5A max, 50/60Hz

Tolérances admissibles pour les tensions d'alimentation:

- De 120Vac jusqu'à 230Vac:  $\pm 10\%$
- 24Vac ou 24Vdc:  $\pm 10\%$
- 12Vdc:  $\pm 5\%$

Entrée pour allumage par contact sec externe

Sortie contact sec (Follow)

Câble multipolaire L: 2m

- Contrôle: 4x0.34mm<sup>2</sup> (AWG22)
- Alimentation de 12Vdc jusqu'à 24Vdc, 24Vac: 2x0.75mm<sup>2</sup> (AWG18)
- Alimentation de 100Vac jusqu'à 240Vac: 3x0.75mm<sup>2</sup> (AWG18)

## 8.4 Projecteurs

LED SMD

### GEKO IRN - ANGLE DE DIFFUSION ET DISTANCES POUR UN SEUL PROJECTEUR

Angle de diffusion horizontal et vertical	Distance maximale		
	850nm	940nm	Lumière blanche
10°	240m	140m	-
30°	130m	80m	120m <sup>1</sup>
60°	80m	60m	90m <sup>1</sup>

**Tab. 4** Les portées et les performances relatives dépendent du type de caméra / objectif utilisés et des conditions de lumière ambiantes.

<sup>1</sup> Portées obtenues avec caméra réglée en mode Jour (image couleur).

## 8.5 Environnement

Intérieur/Extérieur

Température de fonctionnement: De -40°C jusqu'à +60°C

## 8.6 Certifications

Sécurité électrique (CE): EN60950-1, IEC60950-1

Compatibilité électromagnétique (CE): EN50130-4, IEC CISPR22 (Classe A), EN55022 (Classe A), FCC Part 15 (Classe A)

Installation à l'extérieur (CE): EN60950-22, IEC60950-22

Sécurité photobiologique (CE): EN62471

Degré de protection IP: EN60529, (IP66/IP67)

Degré de protection IK: EN62262 (IK10)

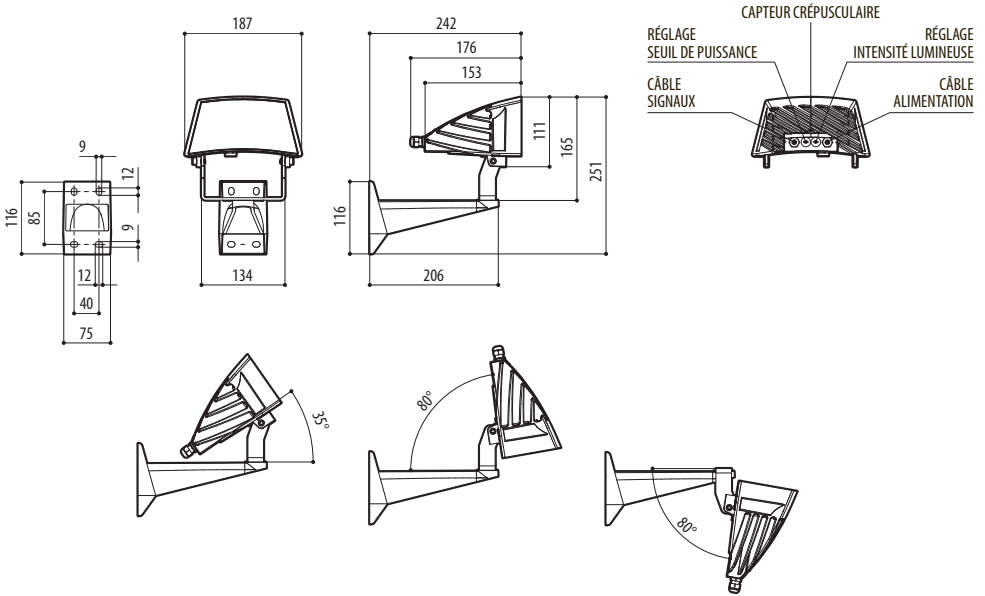
Certification UL: cULus Listed (TYPE 4X)

Certification EAC

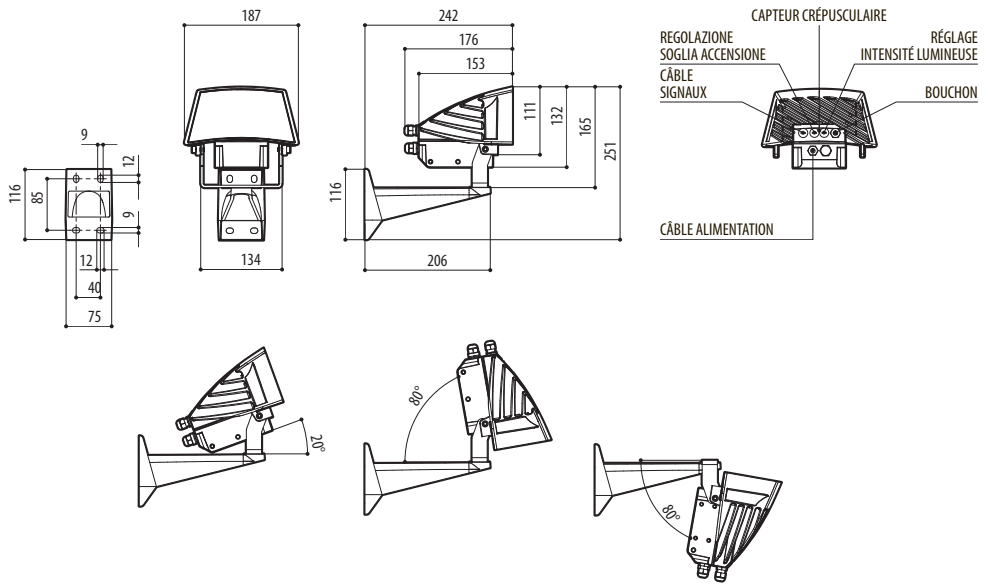
## 9 Dessins techniques



Les dimensions des dessins sont exprimées en millimètres.



**Fig. 15** GEKO IRN (de 12Vdc à 24Vdc, 24Vac).



**Fig. 16** GEKO IRN (de 100Vac a 240Vac).

**Headquarters Italy** Videotec S.p.A.

Via Friuli, 6 - I-36015 Schio (VI) - Italy

Tel. +39 0445 697411 - Fax +39 0445 697414

Email: [info@videotec.com](mailto:info@videotec.com)

**Asia Pacific** Videotec (HK) Ltd

Flat 8, 19/F. On Dak Industrial Building, No. 2-6 Wah Sing Street

Kwai Chung, New Territories - Hong Kong

Tel. +852 2333 0601 - Fax +852 2311 0026

Email: [info.hk@videotec.com](mailto:info.hk@videotec.com)

**France** Videotec France SARL

Immeuble Le Montreal, 19bis Avenue du Québec, ZA de Courtaboeuf  
91140 Villebon sur Yvette - France

Tel. +33 1 60491816 - Fax +33 1 69284736

Email: [info.fr@videotec.com](mailto:info.fr@videotec.com)

**Americas** Videotec Security, Inc.

Gateway Industrial Park, 35 Gateway Drive, Suite 100  
Plattsburgh, NY 12901 - U.S.A.

Tel. +1 518 825 0020 - Fax +1 518 825 0022

Email: [info.usa@videotec.com](mailto:info.usa@videotec.com) - [www.videotec.us](http://www.videotec.us)



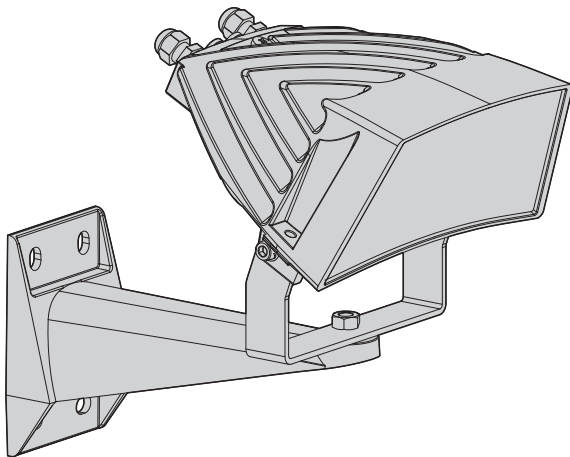
[www.videotec.com](http://www.videotec.com)

MNVCIRN\_1511\_FR



# GEKO IRN

LED- Scheinwerfer




# Inhaltsverzeichnis


<b>1 Allgemeines .....</b>	<b>3</b>
1.1 Schreibweisen.....	3
<b>2 Anmerkungen zum Copyright und Informationen zu den Handelsmarken.....</b>	<b>3</b>
<b>3 Sicherheitsnormen .....</b>	<b>3</b>
<b>4 Identifizierung .....</b>	<b>5</b>
4.1 Beschreibung und Bezeichnung des Produktes.....	5
4.2 Kennzeichnung des Produkts.....	5
<b>5 Vorbereitung des Produktes auf den Gebrauch.....</b>	<b>6</b>
5.1 Entfernen der Verpackung und Inhalt.....	6
5.1.1 Entfernen der Verpackung .....	6
5.1.2 Inhalt .....	6
5.2 Sichere Entsorgung der Verpackungsmaterialien .....	6
<b>6 Zusammenbau und Installation .....</b>	<b>6</b>
6.1 Zusammenbau.....	6
6.2 Installation.....	6
6.2.1 Wandmontage des Scheinwerfers.....	6
6.2.2 Beschreibung der Anschlusskabel .....	7
6.2.2.1 Speisekabel Version 12Vdc, 24Vdc und 24Vac .....	7
6.2.2.2 Speisekabel Version von 100Vac bis 240Vac.....	8
6.2.2.3 Steuerkabel.....	8
6.2.3 Technische Spezifikationen der Kabel .....	9
6.2.4 Einstellung der Einschaltchwelle der LED-Scheinwerfer.....	9
6.2.4.1 Einstellen der Schwelle für die Auslösung des Dämmerungssensors .....	9
6.2.4.2 Deaktivierung des Dämmerungssensors.....	10
6.2.5 Einstellung der Leistung der LED-Scheinwerfer.....	10
6.3 Funktionsprüfung.....	10
6.3.1 Prüfung der Funktionstüchtigkeit des Dämmerungssensors .....	10
<b>7 Müllentsorgungsstellen .....</b>	<b>11</b>
<b>8 Technische Daten .....</b>	<b>11</b>
8.1 Allgemeines .....	11
8.2 Mechanik .....	11
8.3 Elektrik .....	11
8.4 Scheinwerfer.....	11
8.5 Umgebung.....	11
8.6 Zertifizierungen.....	11
<b>9 Technische Zeichnungen.....</b>	<b>12</b>


# 1 Allgemeines


Lesen Sie bitte vor dem Installieren und dem Verwenden dieses Gerätes die Bedienungsanleitung sorgfältig durch. Bewahren Sie sie zum späteren Nachschlagen auf.


## 1.1 Schreibweisen

 **GEFAHR!**  
**Erhöhte Gefährdung.**  
**Stromschlaggefahr. Falls nichts anderes angegeben, unterbrechen Sie die Stromversorgung, bevor die beschriebenen Arbeiten durchgeführt werden.**

 **GEFAHR!**  
**Heiße Oberfläche.**  
**Nicht berühren. Die Oberflächen sind heiß und können bei Berührung zu Verbrennungen führen.**

 **GEFAHR!**  
**Emission von sichtbarem oder infrarotem Licht.**  
**Kann zu Verletzungen an den Augen führen. Die mitgelieferten Informationen beachten.**

 **ACHTUNG!**  
**Mittlere Gefährdung.**  
**Der genannte Vorgang hat große Bedeutung für den einwandfreien Betrieb des Systems: es wird gebeten, sich die Verfahrensweise anzulesen und zu befolgen.**


 **ANMERKUNG**  
**Beschreibung der Systemmerkmale.**  
**Eine sorgfältige Lektüre wird empfohlen, um das Verständnis der folgenden Phasen zu gewährleisten.**

## 2 Anmerkungen zum Copyright und Informationen zu den Handelsmarken

Die angeführten Produkt- oder Firmennamen sind Handelsmarken oder eingetragene Handelsmarken.

# 3 Sicherheitsnormen

 **ACHTUNG! Die Installation und Wartung der Vorrichtung ist technischen Fachleuten vorbehalten.**

 **Die Lampe nicht anfassen, wenn sie in Betrieb ist. Kann zu Verletzungen an den Augen führen.**

 **Der Infrarotlicht-LED-Scheinwerfer emittiert sichtbares Licht mit hoher Intensität. Aufgrund der Bewertung der photobiologischen Sicherheit, in Übereinstimmung mit der Norm EN62471/IEC62471, wurde das Gerät in der Risikogruppe 2 eingestuft, wo die Werte der Freien Gruppe überschritten werden. Das mit dem Beobachter verbundene Risiko hängt davon ab, wie die Benutzer das Produkt installieren und verwenden. Für die Installation die in diesem Handbuch enthaltenen Anweisungen befolgen. Der Scheinwerfer darf auf keinen Fall geöffnet werden. Nicht direkt in den Scheinwerfer sehen, wenn optische Instrumente verwendet werden. Gefährliche Expositionswerte (EHV): 88.1s. Sicherheitsabstände (HD): 200mm.**

<b>RISK GROUP 2</b>	<b>GROUPE DE RISQUE 2</b>
<b>CAUTION:</b> IR emitted from this product. Avoid eye exposure. Use appropriate shielding or eye protection.	<b>ATTENTION:</b> IR sont émis par ce produit. Éviter toute exposition des yeux. Utiliser un blindage approprié ou une protection oculaire.

Abb. 1 Infrarot- Scheinwerfer.



**Der Weißlicht-LED-Scheinwerfer emittiert sichtbares Licht mit hoher Intensität. Aufgrund der Bewertung der photobiologischen Sicherheit, in Übereinstimmung mit der Norm EN62471/IEC62471, wurde das Gerät in der Risikogruppe 2 eingestuft, wo die Werte der Freien Gruppe überschritten werden. Das mit dem Beobachter verbundene Risiko hängt davon ab, wie die Benutzer das Produkt installieren und verwenden. Für die Installation die in diesem Handbuch enthaltenen Anweisungen befolgen. Der Scheinwerfer darf auf keinen Fall geöffnet werden. Nicht direkt in den Scheinwerfer sehen, wenn optische Instrumente verwendet werden. Gefährliche Expositionswerte (EHV): 20.8s. Sicherheitsabstände (HD): 200mm.**

RISK GROUP 2	GRUPE DE RISQUE 2
<p><b>CAUTION:</b> Possibly hazardous optical radiation emitted from this product. Do not stare at operating lamp. May be harmful to the eye.</p>	<p><b>ATTENTION:</b> Des rayonnements optiques dangereux peuvent être émis par ce produit. Ne pas regarder la lampe directement. Peut être dangereux pour les yeux.</p>

**Abb. 2 Weißlicht- Scheinwerfer.**



**Im normalen Betrieb kann der Scheinwerfer an der Oberfläche Hohe Temperaturen erreichen. Vermeiden Sie die direkte Berührung und positionieren Sie das Gerät an einem Ort, der für Unbefugte unzugänglich ist. Bevor man sie berührt, muss deshalb die Ausleuchtungseinrichtung abgeschaltet werden und mindestens 10 Minuten lang abkühlen.**

- Unterbrechen Sie die Stromversorgung, bevor die beschriebenen Arbeiten durchgeführt werden.
- Es dürfen keine Kabel mit Verschleiß- oder Alterungsspuren verwendet werden.
- Unter keinen Umständen dürfen Veränderungen oder Anschlüsse vorgenommen werden, die in diesem Handbuch nicht genannt sind. Der Gebrauch ungeeigneten Geräts kann die Sicherheit des Personals und der Anlage schwer gefährden.
- Es dürfen nur Original-Ersatzteile verwendet werden. Nicht originale Ersatzteile können zu Bränden, elektrischen Entladungen oder anderen Gefahren führen.
- Vor der Installation ist anhand des Kennzeichnungsschildes nachzuprüfen, ob das gelieferte Material die gewünschten Eigenschaften (4.2 Kennzeichnung des Produkts, Seite 5).
- Eine sofort und problemlos zugängliche Abtrennvorrichtung muss in die Elektroanlage des Gebäudes eingebaut werden, um einen schnellen Eingriff zu garantieren.
- Für den Anschluss der Versorgungsleitung den entsprechenden Anschlusskasten verwenden (IRNJ BUL). Für weitere Informationen siehe Bedienungs- und Installationshandbuch des Produktes.
- Dies ist ein Produkt der Klasse A. Dieses Produkt kann im Wohnbereich Funkstörungen verursachen. In diesem Fall kann vom Betreiber verlangt werden, angemessene Maßnahmen durchzuführen.
- Um die Vorschriften über Spannungseinbrüche und -abschaltungen einzuhalten, benutzen Sie bitte eine unterbrechungsfreie Stromversorgung (USV).

- Der Hersteller lehnt jede Haftung für eventuelle Schäden ab, die aufgrund unsachgemäßer Anwendung der in diesem Handbuch erwähnten Geräte entstanden ist. Ferner behält er sich das Recht vor, den Inhalt ohne Vorkündigung abzuändern. Die Dokumentation in diesem Handbuch wurde sorgfältig ausgeführt und überprüft. Der Hersteller kann dennoch keine Haftung für die Verwendung übernehmen. Dasselbe gilt für jede Person oder Gesellschaft, die bei der Schaffung oder Produktion von diesem Handbuch miteinbezogen ist.



- Die Installationskategorie (auch als Überspannungskategorie bezeichnet) gibt den Pegel der Netzspannungsstöße an, denen die Ausrüstung ausgesetzt ist. Die Kategorie hängt vom Installationsort der Ausrüstung und von den externen Schutzeinrichtungen gegen Spannungsstöße ab. Ausrüstungen in einer gewerblichen Umgebung, die direkt mit den Hauptzweigen der Versorgungsanlage verbunden sind, gehören zur Installationskategorie III. In diesem Fall ist eine Abstufung auf Installationskategorie II erforderlich. Dies kann durch den Einsatz eines Isoliertransformators mit einem geerdeten Schirm zwischen Primär- und Sekundärwicklung erreicht werden. Alternativ können UL-gelistete Überspannungsschutzvorrichtungen (SPD) von Fase zu Nullleiter und von Nullleiter zur Erde geführt werden. UL-gelistete Überspannungsschutzvorrichtungen sind für die wiederholte Begrenzung kurzzeitig auftretender Spannungsspitzen und für die folgenden nominellen Betriebsbedingungen auszuliegen: Typ 2 (Dauerhaft angeschlossene Überspannungsschutzvorrichtungen für die Installation auf der Ladungsseite der Hilfseinrichtung); Nennentladestrom (In) 20kA min. Benutzt werden können beispielsweise: FERRAZ SHAWMUT, STT2240SPG-CN, STT2BL240SPG-CN, spezifiziert für 120Vac/240Vac, (In=20kA). Der maximale Abstand zwischen dem Einbau und der Abkürzung ist 5m.
- Im Falle einer Stromversorgung mit 24 Vac muss eine ausreichende Trennung von der AC-Speiseleitung vorgesehen werden und eine doppelte oder verstärkte Isolierung zwischen der Hauptversorgungsleitung und dem Sekundärkreis hergestellt werden.

## 4 Identifizierung

### 4.1 Beschreibung und Bezeichnung des Produktes

Die vom Scheinwerfer GEKO erzeugte Beleuchtung erhellt gleichmäßig das gesamte Sichtfeld und beseitigt Lichtflecken und Unterbelichtungen für unübertreffliche Nachtbilder und eine sichere Überwachung des Bereichs. Der Hochleistungskühlkörper garantiert die maximale Lebensdauer der LEDs und Schutz gegen Übertemperaturen, während das Frontglas aus Spezialkunststoff eine hohe infrarote Durchlässigkeit bietet. Die Scheinwerfer sind zudem gegen elektrostatische Entladungen geschützt.

GEKO ist in den Versionen 24Vac/12-24Vdc oder 100-240Vac mit integriertem Netzteil verfügbar.

GEKO wird mit der Halterung für die Wandmontage geliefert, die sich waagrecht und senkrecht drehen lässt.

Die Gewährleistung von GEKO Infrarotscheinwerfer ist 5 Jahre, während für GEKO mit dem weißen Licht ist 2 Jahre.

### 4.2 Kennzeichnung des Produkts

Siehe die Etikett auf dem Produkt.

## 5 Vorbereitung des Produktes auf den Gebrauch



Jede vom Hersteller nicht ausdrücklich genehmigte Veränderung führt zum Verfall der Gewährleistungsrechte.

### 5.1 Entfernen der Verpackung und Inhalt

#### 5.1.1 Entfernen der Verpackung

Bei der Lieferung des Produktes ist zu prüfen, ob die Verpackung intakt ist oder offensichtliche Anzeichen von Stürzen oder Abrieb aufweist.

Bei offensichtlichen Schadensspuren an der Verpackung muss umgehend der Lieferant verständigt werden.

Bewahren Sie die Verpackung auf für den Fall, dass das Produkt zur Reparatur eingeschendet werden muss.

#### 5.1.2 Inhalt

Prüfen Sie, ob der Inhalt mit der nachstehenden Materialliste übereinstimmt:

- Scheinwerfer mit Bügel
- Bügel für Wandmontage
- Schrauben
- Bedienungsanleitung

### 5.2 Sichere Entsorgung der Verpackungsmaterialien

Die Verpackungsmaterialien sind vollständig wiederverwertbar. Es ist Sache des Installationstechnikers, sie getrennt, auf jeden Fall aber nach den geltenden Vorschriften des Anwendungslandes zu entsorgen.

Im Falle der Rückgabe des nicht korrekt funktionierenden Produktes empfiehlt sich die Verwendung der Originalverpackung für den Transport.

## 6 Zusammenbau und Installation



Im normalen Betrieb kann der Scheinwerfer an der Oberfläche Hohe Temperaturen erreichen. Vermeiden Sie die direkte Berührung und positionieren Sie das Gerät an einem Ort, der für Unbefugte unzugänglich ist. Bevor man sie berührt, muss deshalb die Ausleuchtungseinrichtung abgeschaltet werden und mindestens 10 Minuten lang abkühlen.



Zusammenbau und Installation sind qualifizierten Fachleuten vorbehalten.

### 6.1 Zusammenbau

Den oberen Bügel (01) mithilfe der mitgeliefert Schrauben und Unterlegscheiben (02) am Scheinwerfer befestigen.

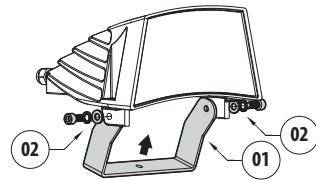


Abb. 3

### 6.2 Installation

#### 6.2.1 Wandmontage des Scheinwerfers



Während der Installation kann die Position des Scheinwerfers gewählt werden.

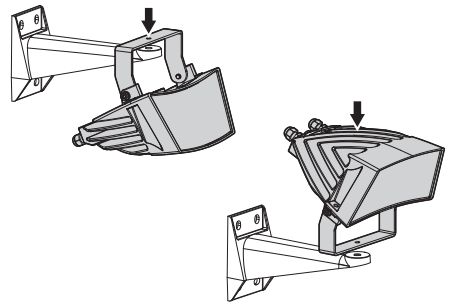


Abb. 4

Den Bügel wie in der Abbildung befestigen und die Schrauben an der Wand festziehen.

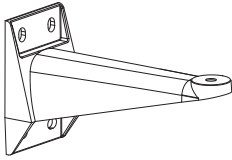


Abb. 5

Den mit Bügel versehenen Scheinwerfer mithilfe der in der Lieferung enthaltenen Schraube, Mutter und Unterlegscheiben befestigen.

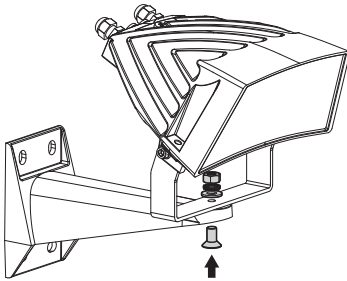


Abb. 6

Die vertikale und horizontale Neigung des Scheinwerfers wird eingestellt, indem die entsprechenden Befestigungsschrauben gedreht werden.

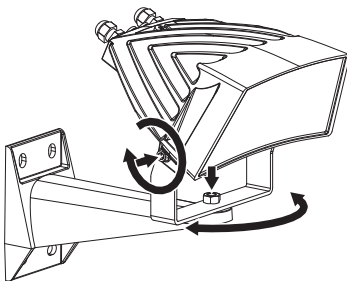


Abb. 7

Mit dem Überwachungsgerät den hierdurch ausgeleuchteten Bereich prüfen. Alle Schrauben festziehen.

## 6.2.2 Beschreibung der Anschlusskabel

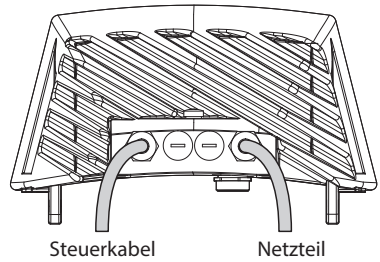


Abb. 8 Ausführung 12Vdc, 24Vdc und 24Vac.

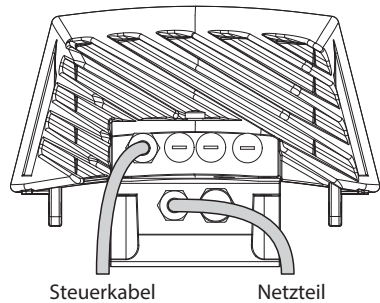


Abb. 9 Ausführung von 100Vac bis 240Vac.

### 6.2.2.1 Speisekabel Version 12Vdc, 24Vdc und 24Vac



**Die Vorrichtung ist ein Gerät der Klasse III. Stromversorgung über einen Sicherheitstransformator oder ein Gleichstromnetzteil vom Typ SELV liefern.**

Der Scheinwerfer verfügt über ein Versorgungsstrang mit einer Länge von 2m.

**Stromversorgungskabel (Blau, Braun):** Die 2 Pole mit dem Netzteil (24Vac, 50/60Hz oder 12-24Vdc) verbinden. Im Fall eine Gleichstromversorgung ist die Polarität nicht von Bedeutung.

Für die maximalen Längen und die empfohlenen Querschnitte der Kabel siehe entsprechendes Kapitel. (6.2.3 Technische Spezifikationen der Kabel, Seite 9).

### 6.2.2.2 Speisekabel Version von 100Vac bis 240Vac



**Die Vorrichtung ist ein Gerät der Klasse I. Der Anschluss an die Schutzerde des gelb/grünen Kabels ist daher aus Gründen der elektrischen Sicherheit notwendig.**

Der Scheinwerfer verfügt über ein Versorgungsstrang mit einer Länge von 2m.

#### **Stromversorgungskabel (Blau, Braun, Gelb/Grün):**

Das braune Kabel mit der Phase, das blaue mit dem Neutralleiter und das gelb/grüne mit der Schutzerde verbinden.

Für die maximalen Längen und die empfohlenen Querschnitte der Kabel siehe entsprechendes Kapitel. (6.2.3 Technische Spezifikationen der Kabel, Seite 9).

#### **6.2.2.3 Steuerkabel**

Das Produkt besitzt ein Kontrollkabel für die Steuerung eines Eingangskontaktes und eines für den Ausgangskontakt.

FARBEN UND MERKMALE DES STEUERKABELS	
Leiterfarbe	Funktion
Rot	Eingang für die Einschaltung über einen externen Trockenkontakt
Grün	Eingang für die Einschaltung über einen externen Trockenkontakt
Weiß	Ausgang potentialfreien Kontakt (Follow)
Schwarz	Ausgang potentialfreien Kontakt (Follow)

Tab. 1

**Kontakt am Eingang:** Ermöglicht eine Feineinschaltung des Scheinwerfers über einen potentialfreien Kontakt, der zwischen den roten und grünen Leiter angebracht wird. Für einen einwandfreien Betrieb sicherstellen, dass der Dämmerungssensor deaktiviert wurde (6.2.4.2 Deaktivierung des Dämmerungssensors, Seite 10). Der Zustand des Eingangskontaktes ist folgender:

- Eingangskontakt offen (isolierte Pole rot und grün): Scheinwerfer auf.
- Kontakt hergestellt Kurzschluss (Pole rot und grün in Kurzschluss): Scheinwerfer ausgeschaltet.



**Vermeiden Sie, denselben Aussenkontakt zur Ein-oder Ausschaltung von 2 oder mehr Strahlern zu benutzen.**

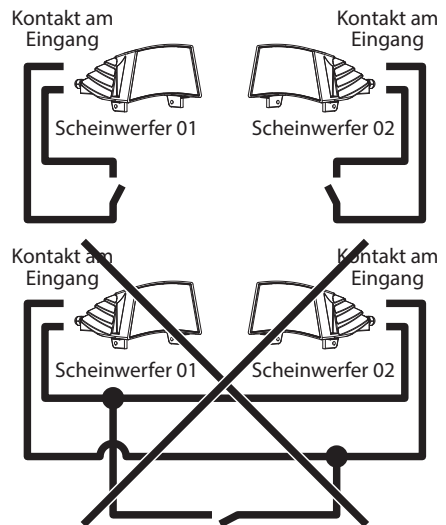


Abb. 10

**Kontakt im Ausgang (Follow):** Der Follow-Ausgang besitzt einen potentialfreien Kontakt an den Polen weiß und schwarz. Der Follow-Kontakt kann benutzt werden, um gleichzeitig andere in der Anlage vorhandene Scheinwerfer ein- oder auszuschalten oder um den Zustand Tag/Nacht der Videokamera zu kontrollieren. Wird der Strahler über Eingangskontakt oder Dämmerungssensor betrieben, ist der Status des Ausgangskontaktes (Follow) der folgende:

- Ausgangskontakt offen (isolierte Pole weiß und schwarz): Scheinwerfer auf.
- Kontakt hergestellt Kurzschluss (Pole weiß und schwarz in Kurzschluss): Scheinwerfer ausgeschaltet.

## 6.2.3 Technische Spezifikationen der Kabel

Je nach Scheinwerfertyp und Versorgungsspannung, sich an folgende Maximallängen für die Versorgungskabel halten.

### Netzteil, 12Vdc

- Spannungsabfall: 0.6V max.
- Minimalspannung am Eingang des Versorgungsstrangs, der mit dem Scheinwerfer geliefert wird: 11.4Vdc.

EIGENSCHAFTEN DER KABEL (STROMVERSORGUNG, 12VDC)		
Kabel Quer-schnitt	AWG	Höchstlänge erforderlich
0.75mm <sup>2</sup>	18	4.5m
1mm <sup>2</sup>	17	6.5m
1.5mm <sup>2</sup>	16	9m
2.5mm <sup>2</sup>	14	15m
4mm <sup>2</sup>	10	24m

Tab. 2

### Netzteil, 24Vac oder 24Vdc

- Spannungsabfall: 3V max.
- Minimalspannung am Eingang des Versorgungsstrangs, der mit dem Scheinwerfer geliefert wird: 21Vac.

EIGENSCHAFTEN DER KABEL (STROMVERSORGUNG, 24VAC ODER 24VDC)		
Kabel Quer-schnitt	AWG	Höchstlänge erforderlich
0.75mm <sup>2</sup>	18	35m
1mm <sup>2</sup>	17	50m
1.5mm <sup>2</sup>	16	80m
2.5mm <sup>2</sup>	14	120m
4mm <sup>2</sup>	10	200m

Tab. 3

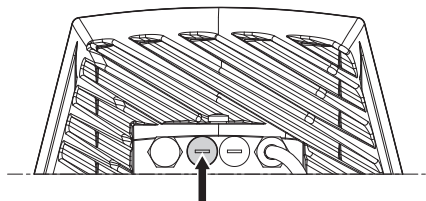
### Netzteil, von 100Vac a 240Vac

- Der Kabelquerschnitt ist weniger kritisch und es bedarf keiner besonderen Vorschrift. Zur Sicherheit ein wirksamer Erdungsanschluss sicherstellen.
- Mindestquerschnitt des Kabels: 0.75mm<sup>2</sup> (AWG18).

### Steuerkabel

- Externe Steuerung: Rot, Grün.
- Steuerung Follow: Weiß, Schwarz.
- Mindestquerschnitt des Kabels: 0,34mm<sup>2</sup> (AWG22).
- Maximale Kabellänge: 200m.

## 6.2.4 Einstellung der Einschaltswelle der LED-Scheinwerfer.



Einstellung der Schwelle für das Einschalten des Scheinwerfers

Abb. 11

### 6.2.4.1 Einstellen der Schwelle für die Auslösung des Dämmerungssensors

Der Scheinwerfer besitzt einen integrierten Dämmerungssensor, der eine automatische Ein- und Ausschaltung unter vorher festgelegten Lichtverhältnissen ermöglicht.

Der Dämmerungssensor wird werkseitig auf eine festgelegte Lichtstärke eingestellt, welche für den Großteil der Installationen geeignet ist (etwa 50lx). Zum Ändern der Einsatzgrenze den an der Rückseite des Scheinwerfers angebrachte Deckel entfernen und die Einstellung vornehmen mittels Schraubenzieher.

Durch Drehen des Trimmers im Uhrzeigersinn im Nachtmodus, wird die Umschaltung vorgezogen (auf einen höheren Helligkeitswert). Durch Drehen des Trimmers gegen den Uhrzeigersinn wird die Umschaltung im Nachtmodus verzögert (auf einen niedrigeren Helligkeitswert).

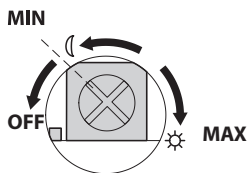


Abb. 12

Die geeigneten Lichtverhältnisse für das Einschalten des Scheinwerfers abwarten. Den Trimmer langsam drehen, bis sich die LED an der Trimmerseite einschaltet. Nachdem die Eingriffsschwelle überschritten wurde (LED eingeschaltet), etwas in die entgegengesetzte Richtung drehen.

**⚠ Nach den Einstellungen prüfen, dass der Verschlussdeckel angemessen angezogen ist, um die hermetische Dichtheit des Produkts zu garantieren.**

#### 6.2.4.2 Deaktivierung des Dämmerungssensors

Um das automatische Einschalten des Scheinwerfers zu deaktivieren, muss der Regeltrimmer vollständig gegen den Uhrzeigersinn (Anschlag) gedreht werden. (Abb. 12, Seite 10). Auf diese Weise werden das Ein- und Ausschalten des Scheinwerfers von einer externen Steuerung (Schalter) gesteuert.

## 6.2.5 Einstellung der Leistung der LED-Scheinwerfer.

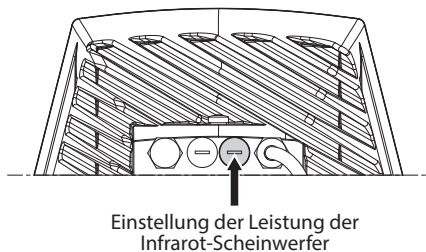


Abb. 13

Die hermetische Verschlusskappe abdrehen. Den Trimmer im Uhrzeigersinn drehen, um die Leistung der Infrarot-Scheinwerfer zu erhöhen in in Gegenuhrzeigersinn, um die Leistung zu senken.



Abb. 14

**⚠ Nach den Einstellungen prüfen, dass der Verschlussdeckel angemessen angezogen ist, um die hermetische Dichtheit des Produkts zu garantieren.**

## 6.3 Funktionsprüfung

### 6.3.1 Prüfung der Funktionstüchtigkeit des Dämmerungssensors

Die Funktionstüchtigkeit des Dämmerungssensors überprüfen, dazu wird er mit schwarzem Band verdeckelt.

# 7 Müllentsorgungsstellen



Dieses Symbol und das entsprechende Recycling-System gelten nur für EULänder und finden in den anderen Ländern der Welt keine Anwendung.

Ihr Produkt wurde entworfen und hergestellt aus qualitativ hochwertigen Materialien und Komponenten, die recycelt und wiederverwendet werden können.

Dieses Symbol bedeutet, daß elektrische und elektronische Geräte am Ende ihrer Nutzungsdauer von Hausmüll getrennt entsorgt werden sollen.

Bitte entsorgen Sie dieses Gerät bei Ihrer örtlichen Sammelstelle oder im Recycling Centre.

In der Europäischen Union gibt es unterschiedliche Sammelsysteme für Elektrik- und Elektronikgeräte.

## 8 Technische Daten

### 8.1 Allgemeines

Komplett mit Halterung geliefert

Einstellbarer integrierter Dämmerungssensor für eine automatische Ein- und Ausschaltung

### 8.2 Mechanik

Korpus aus Aluminiumdruckguß

Abmessungen: 187x251x242mm

Einheitsgewicht:

- 1.7kg (von 12Vdc bis zu 24Vdc, 24Vac)
- 2.2kg (von 100Vac bis zu 240Vac)

### 8.3 Elektrik

Versorgungsspannung/Stromaufnahme:

- Von 12Vdc bis zu 24Vdc, 2.5A max
- 24Vac, 2.5A max, 50/60Hz
- Von 100Vac bis zu 240Vac, 1.5A max, 50/60Hz

Zulässige Toleranzen für die Versorgungsspannung:

- Von 120Vac bis zu 230Vac:  $\pm 10\%$
- 24Vac oder 24Vdc:  $\pm 10\%$
- 12Vdc:  $\pm 5\%$

Eingang für die Einschaltung über einen externen Trockenkontakt

Ausgang potentialfreien Kontakt (Follow)

Mehrpoliges Kabel L: 2m

- Steuerung:  $4 \times 0.34 \text{mm}^2$  (AWG22)
- Netzteil von 12Vdc bis zu 24Vdc, 24Vac:  $2 \times 0.75 \text{mm}^2$  (AWG18)
- Netzteil von 100Vac bis zu 240Vac:  $3 \times 0.75 \text{mm}^2$  (AWG18)

## 8.4 Scheinwerfer

SMD-LEDs

### GEKO IRN - STREUWINKEL UND ABSTÄNDE EINZELNER SCHEINWERFER

Streuwinkel horizontal und vertikal	Höchstentfernung		
	850nm	940nm	Weißlicht
10°	240m	140m	-
30°	130m	80m	120m <sup>1</sup>
60°	80m	60m	90m <sup>1</sup>

**Tab. 4** Die Reichweiten und die Leistung hängen von der verwendeten Art der Kamera / Objektiv und den Umgebungslichtbedingungen ab.

<sup>1</sup> Reichweiten erhalten mit Kamera in Tag-Modus (Farbbild).

## 8.5 Umgebung

Innen/Außen

Betriebstemperatur: Von  $-40^\circ\text{C}$  bis zu  $+60^\circ\text{C}$

## 8.6 Zertifizierungen

Elektrische Sicherheit (CE): EN60950-1, IEC60950-1

Elektromagnetische Verträglichkeit (CE): EN50130-4, IEC CISPR22 (Klasse A), EN55022 (Klasse A), FCC Part 15 (Klasse A)

Außeninstallation (CE): EN60950-22, IEC60950-22

Fotobiologische Sicherheit (CE): EN62471

Schutzart IP: EN60529, (IP66/IP67)

Schutzart IK: EN62262 (IK10)

UL- Zertifizierung: cULus Listed (TYPE 4X)

EAC-Zertifizierung

# 9 Technische Zeichnungen



Die Abmessungen der Zeichnungen sind in Millimeter angegeben.

DE - Deutsch - Bedienungsanleitung

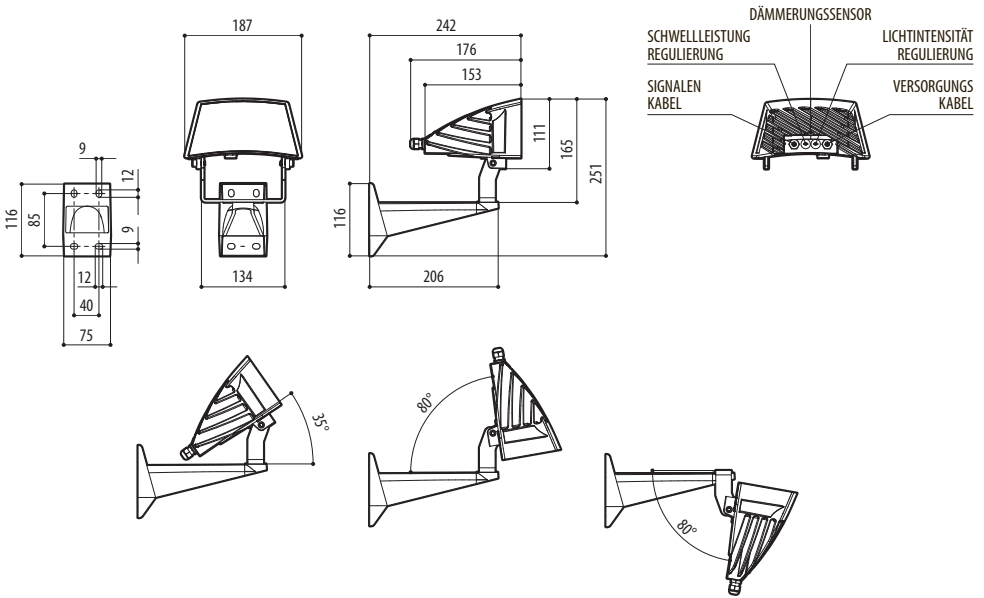
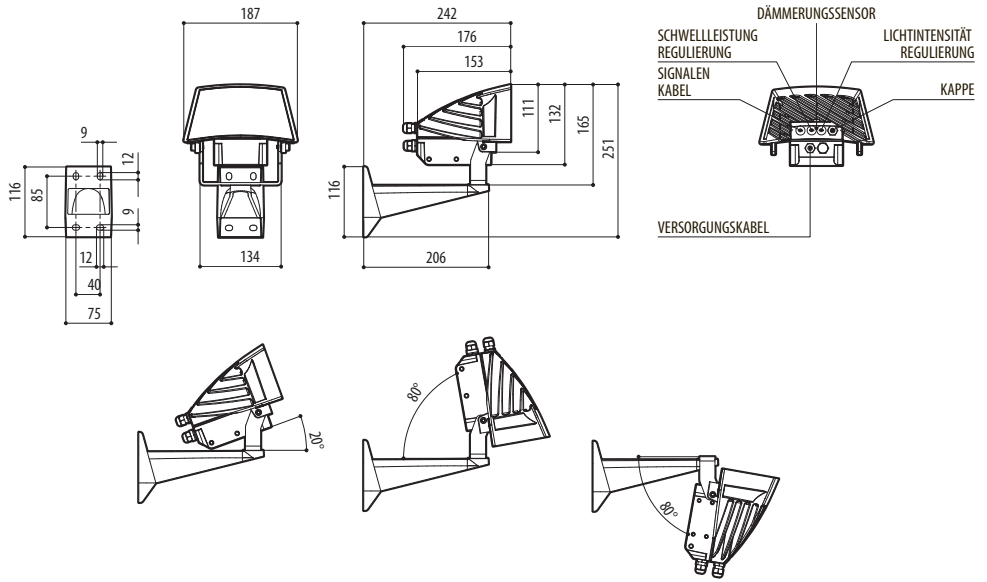


Abb. 15 GEKO IRN (von 12Vdc a 24Vdc, 24Vac).





**Abb. 16** GEKO IRN (von 100Vac a 240Vac).

**Headquarters Italy** Videotec S.p.A.

Via Friuli, 6 - I-36015 Schio (VI) - Italy

Tel. +39 0445 697411 - Fax +39 0445 697414

Email: [info@videotec.com](mailto:info@videotec.com)

**Asia Pacific** Videotec (HK) Ltd

Flat 8, 19/F. On Dak Industrial Building, No. 2-6 Wah Sing Street

Kwai Chung, New Territories - Hong Kong

Tel. +852 2333 0601 - Fax +852 2311 0026

Email: [info.hk@videotec.com](mailto:info.hk@videotec.com)

**France** Videotec France SARL

Immeuble Le Montreal, 19bis Avenue du Québec, ZA de Courtaboeuf  
91140 Villebon sur Yvette - France

Tel. +33 1 60491816 - Fax +33 1 69284736

Email: [info.fr@videotec.com](mailto:info.fr@videotec.com)

**Americas** Videotec Security, Inc.

Gateway Industrial Park, 35 Gateway Drive, Suite 100

Plattsburgh, NY 12901 - U.S.A.

Tel. +1 518 825 0020 - Fax +1 518 825 0022

Email: [info.usa@videotec.com](mailto:info.usa@videotec.com) - [www.videotec.us](http://www.videotec.us)



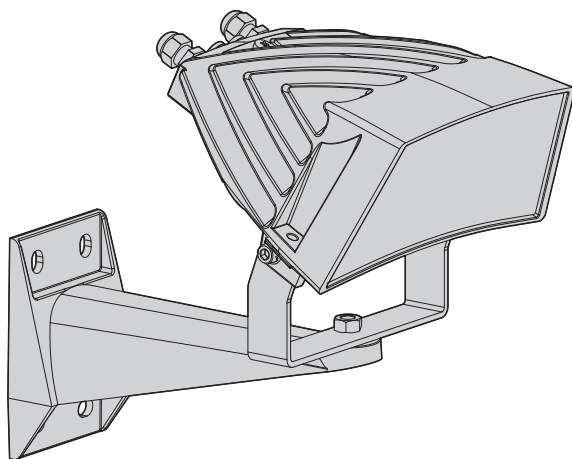
[www.videotec.com](http://www.videotec.com)

MNVCIRN\_1511\_DE



# GEKO IRN

Прожектор со LED




# Индекс


<b>1 Информация о настоящем руководстве.....</b>	<b>3</b>
1.1 Типографские обозначения .....	3
<b>2 Примечания по авторскому праву и торговым маркам .....</b>	<b>3</b>
<b>3 Правила безопасности.....</b>	<b>3</b>
<b>4 Идентификация.....</b>	<b>5</b>
4.1 Описание и назначение изделия .....	5
4.2 Маркировка изделия .....	5
<b>5 Подготовка изделия к использованию .....</b>	<b>6</b>
5.1 Распаковка и содержание .....	6
5.1.1 Распаковка.....	6
5.1.2 Содержимое.....	6
5.2 Переработка в отходы в условиях безопасности материалов упаковки.....	6
<b>6 Сборка и установка.....</b>	<b>6</b>
6.1 Сборка .....	6
6.2 Монтаж .....	6
6.2.1 Установка настенного осветителя .....	6
6.2.2 Описание кабелей связи.....	7
6.2.2.1 Кабель питания версия 12Vdc, 24Vdc и 24Vac.....	7
6.2.2.2 Кабель питания версия от 100Vac до 240Vac .....	8
6.2.2.3 Кабель управления .....	8
6.2.3 Технические спецификации кабелей.....	9
6.2.4 Регулировка порога включения светодиодных (LED) осветителей .....	9
6.2.4.1 Регулировка порога срабатывания сумеречного датчика .....	9
6.2.4.2 Деактивирование сумеречного датчика .....	10
6.2.5 Регулировка мощности светодиодных (LED) осветителей.....	10
6.3 Проверка функционирования .....	10
6.3.1 Проверка функционирования сумеречного датчика .....	10
<b>7 Вывоз в отходы .....</b>	<b>11</b>
<b>8 Технические параметры .....</b>	<b>11</b>
8.1 Общее .....	11
8.2 Механика.....	11
8.3 Электрические характеристики .....	11
8.4 Проекторы.....	11
8.5 Среда.....	11
8.6 Сертификация.....	11
<b>9 Технические чертежи .....</b>	<b>12</b>


# 1 Информация о настоящем руководстве


Перед монтажом и использованием настоящего блока, внимательно прочитайте настоящее руководство. Хранить данное руководство под рукой для будущих консультаций.


## 1.1 Типографские обозначения

 **ОПАСНОСТЬ!**  
Повышенная опасность.  
Опасность удара электрическим током.  
Если не указано иным образом, отключите питание, Прежде чем приступить к выполнению операций, если не указано иным образом, отключите питание.

 **ОПАСНОСТЬ!**  
Горячая поверхность.  
Следует избегать контакта. Горячие поверхности могут причинить поражения человеку в случае контакта.

 **ОПАСНОСТЬ!**  
Испускание видимого света или инфракрасного излучения.  
Может быть вредно для глаз. Обратите внимание на данные указания.


 **ПРЕДУПРЕЖДЕНИЕ!**  
Средняя опасность.  
Эта операция очень важна для правильной работы системы. Просим внимательно прочитать приведенную процедуру и выполнить ее указанным способом.


 **INFO**  
Описание характеристик системы.  
Рекомендуется внимательно для выполнения следующих фаз.


## 2 Примечания по авторскому праву и торговым маркам

Упомянутые название компаний и продукции являются торговыми марками или зарегистрированными торговыми марками, принадлежащими соответствующим компаниям.

## 3 Правила безопасности

 **ПРЕДУПРЕЖДЕНИЕ!** Следует использовать только кронштейны или принадлежности, рекомендуемые для монтажа.

 Не фиксировать функционирующую лампу. Может быть вредно для глаз.

 Светодиодный (LED) осветитель инфракрасного излучения испускает видимый свет высокой интенсивности. Оценка фотобиологической безопасности в соответствии с нормативом EN62471/ IEC62471 отнесла устройство к группе риска 2, которая предусматривает более высокие значения, чем в группе отсутствия риска. Риск, связанный с наблюдателем, зависит от установки и эксплуатации изделия пользователями. Для установки следуйте инструкциям данного руководства. Не открывайте осветителя по любому поводу. Не смотрите прямо на осветитель, используя оптические инструменты. Значения опасных экспозиций: 88.1 s. Расстояния опасности (HD): 200mm.

<b>RISK GROUP 2</b>	<b>GROUPE DE RISQUE 2</b>
<b>CAUTION:</b> IR emitted from this product. Avoid eye exposure. Use appropriate shielding or eye protection.	<b>ATTENTION:</b> IR sont émis par ce produit. Éviter toute exposition des yeux. Utiliser un blindage approprié ou une protection oculaire.

Рис. 1 Инфракрасный осветитель.



**Светодиодный (LED) осветитель белого света испускает видимый свет высокой интенсивности. Оценка фотобиологической безопасности в соответствии с нормативом EN62471/IEC62471 отнесла устройство к группе риска 2, которая предусматривает более высокие значения, чем в группе отсутствия риска. Риск, связанный с наблюдателем, зависит от установки и эксплуатации изделия пользователями. Для установки следуйте инструкциям данного руководства. Не открывайте осветителя по любому поводу. Не смотрите прямо на осветитель, используя оптические инструменты. Значения опасных экспозиций: 20.8s. Расстояния опасности (HD): 200mm.**

RISK GROUP 2	GROUPE DE RISQUE 2
<p><b>CAUTION:</b> Possibly hazardous optical radiation emitted from this product. Do not stare at operating lamp. May be harmful to the eye.</p>	<p><b>ATTENTION:</b> Des rayonnements optiques dangereux peuvent être émis par ce produit. Ne pas regarder la lampe directement. Peut être dangereux pour les yeux.</p>

**Рис. 2 Осветитель с белым светом.**



**Во время нормального функционирования поверхность осветителя может нагреваться до высоких температур. Избегайте прямого контакта и расположите аппаратуру в месте, недоступном для неуполномоченного персонала. Для выполнения любых работ по техобслуживанию выключите осветительное устройство и оставьте остывать не менее 10 минут.**

- Производитель снимает с себя какую-либо ответственность за возможный ущерб, вызванный использованием не по назначению упомянутого в данном руководстве оборудования. Также сохраняется право изменять содержание без предварительного извещения. При тщательном сборе документации, содержащейся в настоящем руководстве, были сделаны все необходимые проверки. Производитель, однако, не может взять на себя какую-либо ответственность, связанную с его использованием. Это относится к любому лицу или обществу, вовлеченному в создание и производство данного руководства.

- Перед началом любой операции, убедитесь, что электропитание отключено.
- Не использовать кабели со следами повреждений или старения.
- Ни в коем случае не вносить изменений и не выполнять подключений, не предусмотренных данным руководством. Использование оборудования не по назначению, может привести к серьёзным рискам и опасно, как для персонала, так и для системы.
- Используйте только оригинальные запасные части. Номера для оригинальных запасных частей может привести к пожару, электрический разряд или других опасностей.
- Перед монтажом проверить, что поставляемый материал соответствует требуемым техническим спецификациям, проверив этикетки маркировки (4.2 Маркировка изделия, страница 5).
- Размыкающее устройство, с быстрым и лёгким доступом, предназначенное для встраивания в электросистему здания и обеспечивающее быстрое срабатывание.
- Для подключения линии питания используйте специальную соединительную коробку (IRNJBUL). Для получения дополнительной информации смотреть руководство по эксплуатации и установки изделия.
- Это изделие класса А. В жилом секторе данное изделие может вызывать радиопомехи. В данном случае от пользователя может потребоваться принятие соответствующих мер.
- Для соответствия требованиям норматива по снижению и кратковременным прерываниям напряжения питания необходимо использовать соответствующий бесперебойный источник питания (UPS) для питания узла.

- Категория установки (называемая также категория перенапряжения) указывает уровни скачков напряжения сети, которым подвержен прибор. Категория зависит от места установки и присутствия устройств защиты от перенапряжений. Устройство для промышленных условий, подключенное к основным ответвлениям линии питания, относится к категории установки III. Если речь идет о данном случае, требуется уменьшение до категории II. Этого можно достичь с помощью разделительного трансформатора с заземленным экраном между первичной и вторичной обмоткой или с помощью устройств защиты от перенапряжений (SPD) с маркировкой UL, подключенных между фазой и нейтралью и между нейтралью и землей. Устройства SPD с маркировкой UL используются для повторяющегося подавления кратковременных перенапряжений и при следующих номинальных условиях функционирования: Тип 2 (Устройства SPD, постоянно подключенные к сети питания, для установки со стороны загрузки рабочего устройства); Номинальный ток разряда ( $I_n$ ) минимум 20кА. Например, можно использовать: FERRAZ SHAWMUT, ST23401PG-CN, ST240SPG-CN, указанные для 120/240Vac, ( $I_n=20кА$ ). Максимальное расстояние между установкой и переходником составляет 5м.
- В случае питания 24Vac необходимо подготовить адекватное отсечение от линии питания AC с помощью двойной или усиленной изоляции между основной линией питания и вторичным контуром.

## 4 Идентификация

### 4.1 Описание и назначение изделия

GEKO освещает всю зону равномерно, устраняя световые пятна и недодержки, обеспечивая непревзойденность ночных изображений и надежное наблюдение зоны. Высокоэффективный рассеивающий корпус гарантирует максимальный срок работы светодиодов и защиту от перегревов, в то время как фронтальное стекло из специального инженерного пластика гарантирует высокий коэффициент пропускания инфракрасного излучения. Осветители защищены от электростатических разрядов.

В наличии GEKO в версиях 4Vac/12-24Vdc или 100-240Vac с интегрированным блоком питания.

GEKO поставляется с кронштейном для крепления на стену с горизонтальным и вертикальным вращением.

Гарантия на инфракрасный осветитель GEKO составляет 5 лет, в то время как для осветителя GEKO с белым светом - 2 года.

### 4.2 Маркировка изделия

См. ярлык на продукт.

## 5 Подготовка изделия к использованию



Любое изменение, выполненное без разрешения изготовителя, ведёт к потере гарантии.

### 5.1 Распаковка и содержание

#### 5.1.1 Распаковка

При поставке изделия убедитесь в том, что упаковка не повреждена и не имеет явных признаков падений или царапин.

В случае видимых повреждений упаковки немедленно свяжитесь с поставщиком.

Храните упаковку на случай, если необходимо отправка изделия для ремонта.

#### 5.1.2 Содержимое

Убедитесь в том, что содержимое будет соответствовать списку материалов, приведённому ниже:

- Осветитель со скобой
- Скоба крепления на стену
- Набор винтов
- Учебник инструкции

## 5.2 Переработка в отходы в условиях безопасности материалов упаковки

Материалы упаковки полностью состоят из рекуперированного материала. Техник по установке должен переработать их в отходы в соответствии с порядком дифференцированного сбора или, в любом случае, в соответствии действующими правилами в стране использования.

В случае возврата некачественной продукции, рекомендуем использовать первоначальную оригинальную упаковку для транспортировки.

## 6 Сборка и установка



Во время нормального функционирования поверхность осветителя может нагреваться до высоких температур. Избегайте прямого контакта и расположите аппаратуру в месте, недоступном для неуполномоченного персонала. Для выполнения любых работ по техобслуживанию выключите осветительное устройство и оставьте остывать не менее 10 минут.



Монтаж и установка оборудования должны выполняться только квалифицированным для этого персоналом.

### 6.1 Сборка

Прикрепите верхнюю скобу (01) к осветителю (02) с помощью прилагающихся шайб (02).

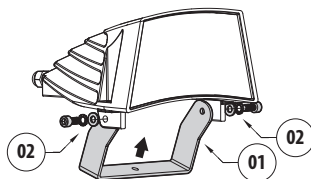


Рис. 3

### 6.2 Монтаж

#### 6.2.1 Установка настенного осветителя



**\*\*non tradotto\*\***

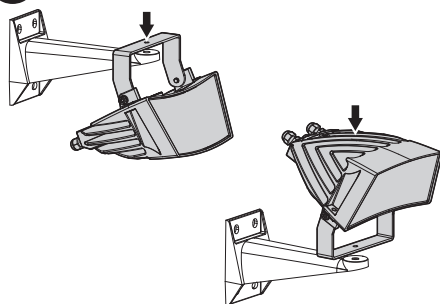


Рис. 4



Прикрепите скобу как показано на рисунке, затянув до упора настенные винты.

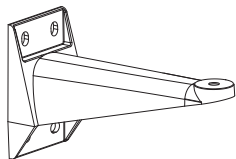


Рис. 5

Прикрепите осветитель, оснащенный скобой, с помощью прилагающихся винта, гайки и шайбы.

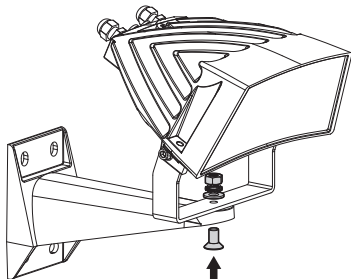


Рис. 6

Отрегулируйте вертикальный и горизонтальный наклон осветителя с помощью соответствующих крепежных винтов.

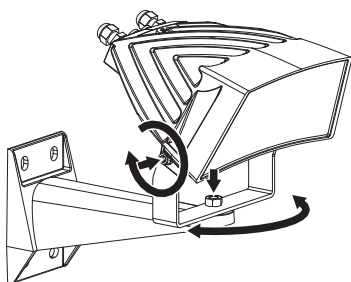
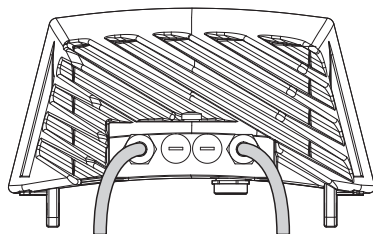


Рис. 7

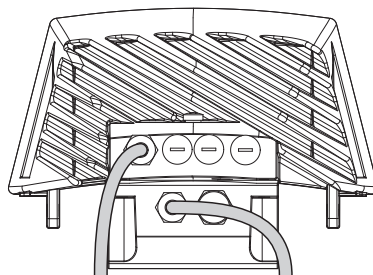
Проверьте на мониторе полученное поле освещения. Затяните до упора все винты.

## 6.2.2 Описание кабелей связи



Кабель управления Источник питания

Рис. 8 Версия 12Vdc, 24Vdc и 24Vac.



Кабель управления Источник питания

Рис. 9 Версия от 100Vac до 240Vac.

### 6.2.2.1 Кабель питания версия 12Vdc, 24Vdc и 24Vac



Устройство является аппаратурой класса III. Подайте питание с помощью разделительного трансформатора или блока питания постоянного напряжения типа SELV.

Осветитель снабжен проводом питания длиной 2м.

**Силовые кабели (синий, коричневый):** Подключите 2 полюса к блоку питания 4Vac, 50/60Hz или 12-24Vdc). В случае питания постоянным током полярность не имеет значения.

По вопросам максимальной длины и рекомендуемых сечений кабелей обращайтесь к соответствующей главе (6.2.3 Технические спецификации кабелей, страница 9).

### 6.2.2.2 Кабель питания версия от 100Vac до 240Vac

**⚠** Устройство является аппаратурой класса I. Защитное заземление желто-зеленого кабеля необходимо для обеспечения электрической безопасности.

Осветитель снабжен проводом питания длиной 2м.

**Силовые кабели (синий, коричневый, желтый/зеленый):** Подключите коричневый кабель к фазе, синий - к нейтрали и желтый/зеленый к защитному заземлению.

По вопросам максимальной длины и рекомендуемых сечений кабелей обращайтесь к соответствующей главе (6.2.3 Технические спецификации кабелей, страница 9).

### 6.2.2.3 Кабель управления

Изделие представляет собой контрольный кабель для управления контакта входа и контакта выхода.

ЦВЕТА И ФУНКЦИИ КАБЕЛЯ УПРАВЛЕНИЯ	
Цвет провода	Функция
Красный	Вход для включения посредством свободного внешнего контакта
Зеленый	Вход для включения посредством свободного внешнего контакта
белый	Выход свободного контакта (Follow)
Черный	Выход свободного контакта (Follow)

Таб. 1

**Контакт на входе:** Гарантирует удаленное включение осветителя с помощью свободного контакта, установленного между проводами зеленого и красного цвета. Для правильного функционирования убедитесь в том, что сумеречный датчик отключен (6.2.4.2 Деактивирование сумеречного датчика, страница 10). Состояние входного контакта следующее:

- Вход открытого контакта (изолированные контакты красного и зеленого цвета): Осветитель включен.
- Вход закрытого контакта (закороченные контакты красного и зеленого цвета): Осветитель выключенный.

**⚠** Избегайте использовать один и тот же внешний контакт для включения или выключения 2 или более осветителей.

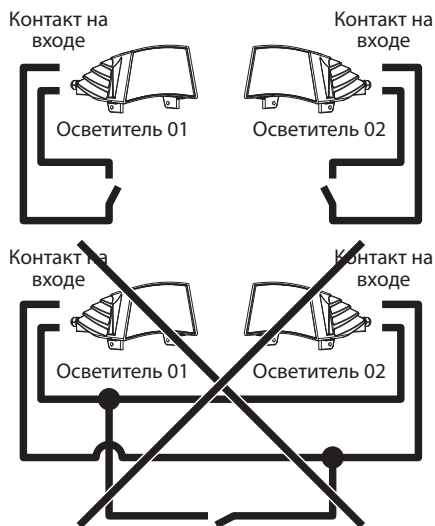


Рис. 10

**Контакт на выходе (Follow):** Выход Follow представляет свободный контакт в выводах белого и черного цвета. Контакт Follow может использоваться также для одновременного включения или выключения других прожекторов, присутствующих в установке, или для проверки режима день/ночь телекамеры. Независимо от того, активирован осветитель с помощью контакта на входе или посредством сумеречного датчика, состояние контакта на выходе (Follow) следующее:

- Выход открытого контакта (изолированные контакты белого и черного цвета): Осветитель включен.
- Выход открытого контакта (закороченные контакты белого и черного цвета): Осветитель выключенный.

### 6.2.3 Технические спецификации кабелей

В зависимости от типа осветителя и напряжения питания соблюдайте следующие максимальные длины кабелей питания.

#### Источник питания, 12Vdc

- Падение напряжения: 0.6V max.
- Минимальное напряжение провода питания, поставленного с осветителем: 11.4Vdc.

СПЕЦИФИКИ КАБЕЛЕЙ (ПИТАНИЕ, 12VDC)		
Сечение кабеля	AWG	Максимальная длина
0.75mm <sup>2</sup>	18	4.5m
1mm <sup>2</sup>	17	6.5m
1.5mm <sup>2</sup>	16	9m
2.5mm <sup>2</sup>	14	15m
4mm <sup>2</sup>	10	24m

Таб. 2

#### Источник питания, 24Vac или 24Vdc

- Падение напряжения: 3V max.
- Минимальное напряжение провода питания, поставленного с осветителем: 21Vac.

СПЕЦИФИКИ КАБЕЛЕЙ (ПИТАНИЕ, 24VAC ИЛИ 24VDC)		
Сечение кабеля	AWG	Максимальная длина
0.75mm <sup>2</sup>	18	35m
1mm <sup>2</sup>	17	50m
1.5mm <sup>2</sup>	16	80m
2.5mm <sup>2</sup>	14	120m
4mm <sup>2</sup>	10	200m

Таб. 3

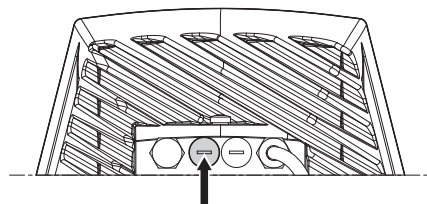
#### Источник питания, от 100Vac а 240Vac

- Выбор кабелей менее критичный и не нуждается в особых указаниях. В целях безопасности обеспечьте эффективное заземление.
- Минимальное сечение кабеля: 0.75mm<sup>2</sup> (AWG18).

#### Кабель управления

- Внешняя команда: Красный, Зеленый.
- Команда Follow: белый, Черный.
- Минимальное сечение кабеля: 0,34mm<sup>2</sup> (AWG22).
- Максимальная длина кабеля: 200m.

### 6.2.4 Регулировка порога включения светодиодных (LED) осветителей



Регулировка порога включения

Рис. 11

#### 6.2.4.1 Регулировка порога срабатывания сумеречного датчика

Осветитель представляет собой встроенный сумеречный датчик, обеспечивающий автоматическое включение и выключение при заданных условиях освещенности.

Регулировка сумеречного датчика выполнена на фабрике и настроена на заранее установленный уровень освещения, подходящего для большинства установок (около 50 люкс). Если нужно отрегулировать иным способом порог срабатывания, отвинтите пробку, установленную на задней поверхности осветителя и отрегулируйте с помощью отвертки.

Поворот триммера по часовой стрелке вызывает преждевременную коммутацию в ночной режим (переключение на более высокое значение освещенности). Поворот триммера против часовой стрелки вызывает запаздывание коммутации в ночной режим (переключение на более низкое значение освещенности).

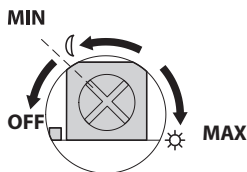


Рис. 12

Подождите условий освещенности, подходящих для включения осветителя. Медленно поворачивайте триммер до включения светодиодов, установленных на боку триммера. Как только превышаете порог срабатывания (LED включенный), слегка поверните в обратном направлении.

**⚠ По завершении регулировок проверьте, чтобы заглушка была соответственно затянута, гарантируя герметичность изделия.**

#### 6.2.4.2 Деактивирование сумеречного датчика

Для деактивации автоматического включения осветителя поверните до упора против часовой стрелки (до ограничителя хода) триммер регуляции. (Рис. 12, страница 10). Таким образом выключение и включение осветителя управляется внешним устройством управления (выключателем).

### 6.2.5 Регулировка мощности светодиодных (LED) осветителей



Регулировка мощности инфракрасных осветителей

Рис. 13

Отвинтите герметичную заглушку. Поверните триммер по часовой стрелке, чтобы увеличить мощность инфракрасного осветителя и против часовой стрелки, чтобы уменьшить.

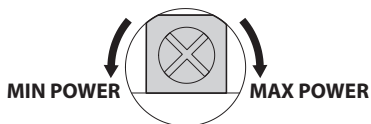


Рис. 14

**⚠ По завершении регулировок проверьте, чтобы заглушка была соответственно затянута, гарантируя герметичность изделия.**

## 6.3 Проверка функционирования

### 6.3.1 Проверка функционирования сумеречного датчика

Проверьте функционирование сумеречного датчика, затемняя его черной лентой.

## 7 Вывоз в отходы



Этот символ и система утилизации имеют значение только в странах ЕС и не находят применения в других странах мира.

Ваше изделие было изготовлено из материалов и компонентов высокого качества, могущих быть повторно использованными или утилизированными.

Электрические и электронные материалы, на которых имеется указанный символ, в конце срока службы должны выбрасываться отдельно от бытовых отходов.

Просим вывезти это устройство в Центр сбора или на экологическую станцию.

В Европейском Сообществе существуют системы дифференцированного сбора мусора для электронных и электрических изделий.

## 8 Технические параметры

### 8.1 Общее

Поставляется с кронштейном

Интегрированный регулируемый фотоэлемент для автоматического включения и выключения

### 8.2 Механика

Корпус из литого под давлением алюминия

Размеры: 187x251x242mm

Вес устройства:

- 1,7kg (от 12Vdc до 24Vdc, 24Vac)
- 2,2kg (от 100Vac до 240Vac)

### 8.3 Электрические характеристики

Питание/Потребление тока:

- От 12Vdc до 24Vdc, 2,5A max
- 24Vac, 2,5A max, 50/60Hz
- От 100Vac до 240Vac, 1,5A max, 50/60Hz

Отклонения, допускаемые для напряжений питания:

- От 120Vac до 230Vac:  $\pm 10\%$
- 24Vac или 24Vdc:  $\pm 10\%$
- 12Vdc:  $\pm 5\%$

Вход для включения посредством свободного внешнего контакта

Выход свободного контакта (Follow)

Многополюсный кабель L: 2m

- Контроль: 4x0.34mm<sup>2</sup> (AWG22)
- Источник питания от 12Vdc до 24Vdc, 24Vac: 2x0.75mm<sup>2</sup> (AWG18)
- Источник питания от 100Vac до 240Vac: 3x0.75mm<sup>2</sup> (AWG18)

## 8.4 Прожекторы

LED SMD

### ГЕКО IRN - УГОЛ ИЗЛУЧЕНИЯ И РАССТОЯНИЕ ОТДЕЛЬНОГО ПРОЖЕКТОРА

Вертикальный и горизонтальный угол излучения	Максимальная дистанция		
	850nm	940nm	Белый свет
10°	240m	140m	-
30°	130m	80m	120m <sup>1</sup>
60°	80m	60m	90m <sup>1</sup>

**Таб. 4** Расстояний и относительных показателей зависит от типа камеры / объектива и условий окружающей среды.

<sup>1</sup> Расстояние указано для камер в режиме дневного наблюдения (цветное изображение)

### 8.5 Среда

Внутренняя/Наружная установка

Рабочая температура: От -40°C до +60°C

### 8.6 Сертификация

Электрическая безопасность (CE): EN60950-1, IEC60950-1

Электромагнитная совместимость (CE): EN50130-4, IEC CISPR22 (Класс А), EN55022 (Класс А), FCC Part 15 (Класс А)

Установка снаружи (CE): EN60950-22, IEC60950-22

Фотобиологическая безопасность (CE): EN62471

Степень защиты IP корпуса: EN60529, (IP66/IP67)

Степень защиты IK: EN62262 (IK10)

Сертификация UL: cULus Listed (TYPE 4X)

Сертификат EAC

## 9 Технические чертежи



Размеры в чертежах выражены в миллиметрах.

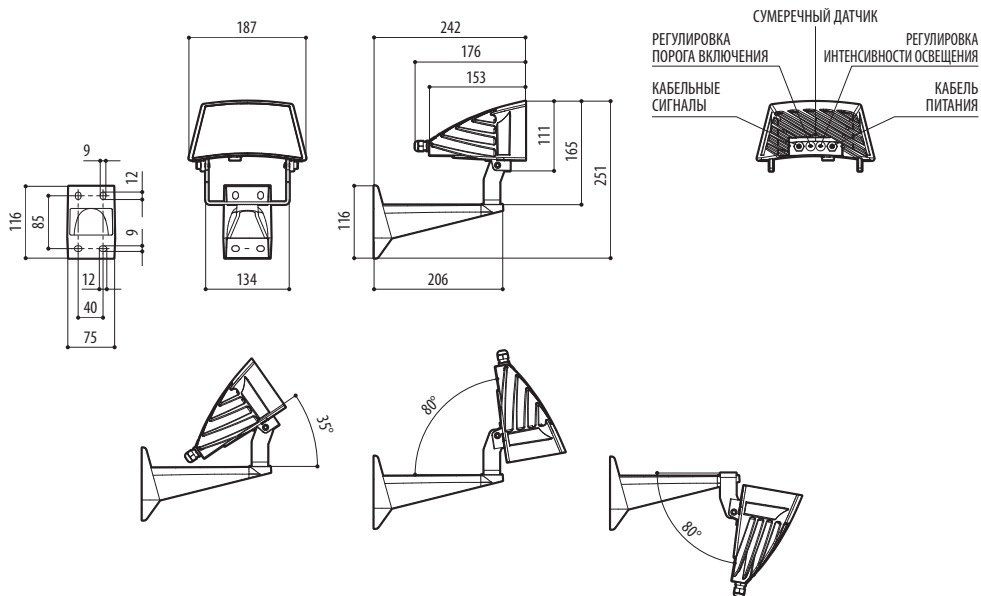


Рис. 15 GEKO IRN (от 12Vdc а 24Vdc, 24Vac).

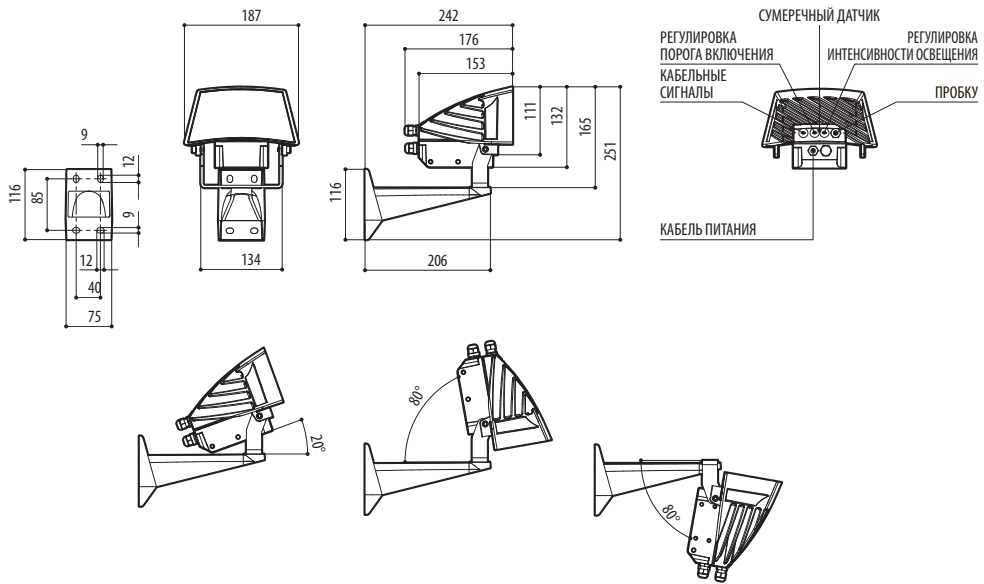


Рис. 16 GEKO IRN (от 100Vac а 240Vac).

**Headquarters Italy** Videotec S.p.A.

Via Friuli, 6 - I-36015 Schio (VI) - Italy

Tel. +39 0445 697411 - Fax +39 0445 697414

Email: [info@videotec.com](mailto:info@videotec.com)

**Asia Pacific** Videotec (HK) Ltd

Flat 8, 19/F. On Dak Industrial Building, No. 2-6 Wah Sing Street

Kwai Chung, New Territories - Hong Kong

Tel. +852 2333 0601 - Fax +852 2311 0026

Email: [info.hk@videotec.com](mailto:info.hk@videotec.com)

**France** Videotec France SARL

Immeuble Le Montreal, 19bis Avenue du Québec, ZA de Courtaboeuf  
91140 Villebon sur Yvette - France

Tel. +33 1 60491816 - Fax +33 1 69284736

Email: [info.fr@videotec.com](mailto:info.fr@videotec.com)

**Americas** Videotec Security, Inc.

Gateway Industrial Park, 35 Gateway Drive, Suite 100  
Plattsburgh, NY 12901 - U.S.A.

Tel. +1 518 825 0020 - Fax +1 518 825 0022

Email: [info.usa@videotec.com](mailto:info.usa@videotec.com) - [www.videotec.us](http://www.videotec.us)



[www.videotec.com](http://www.videotec.com)

MNVCIRN\_1511\_RU





**Headquarters Italy** Videotec S.p.A.

Via Friuli, 6 - I-36015 Schio (VI) - Italy

Tel. +39 0445 697411 - Fax +39 0445 697414

Email: [info@videotec.com](mailto:info@videotec.com)

**Asia Pacific** Videotec (HK) Ltd

Flat 8, 19/F. On Dak Industrial Building, No. 2-6 Wah Sing Street

Kwai Chung, New Territories - Hong Kong

Tel. +852 2333 0601 - Fax +852 2311 0026

Email: [info.hk@videotec.com](mailto:info.hk@videotec.com)

**France** Videotec France SARL

Immeuble Le Montreal, 19bis Avenue du Québec, ZA de Courtaboeuf  
91140 Villebon sur Yvette - France

Tel. +33 1 60491816 - Fax +33 1 69284736

Email: [info.fr@videotec.com](mailto:info.fr@videotec.com)

**Americas** Videotec Security, Inc.

Gateway Industrial Park, 35 Gateway Drive, Suite 100

Plattsburgh, NY 12901 - U.S.A.

Tel. +1 518 825 0020 - Fax +1 518 825 0022

Email: [info.usa@videotec.com](mailto:info.usa@videotec.com) - [www.videotec.us](http://www.videotec.us)



[www.videotec.com](http://www.videotec.com)

MNVCIRN\_1511