

HG2Z4516FCS-2

2X 4.5mm - 10mm F1.6
for 1/2 type Cameras, Vari-focal Auto Iris DC Drive
CS-Mount

with Focus, w/o Amplifier

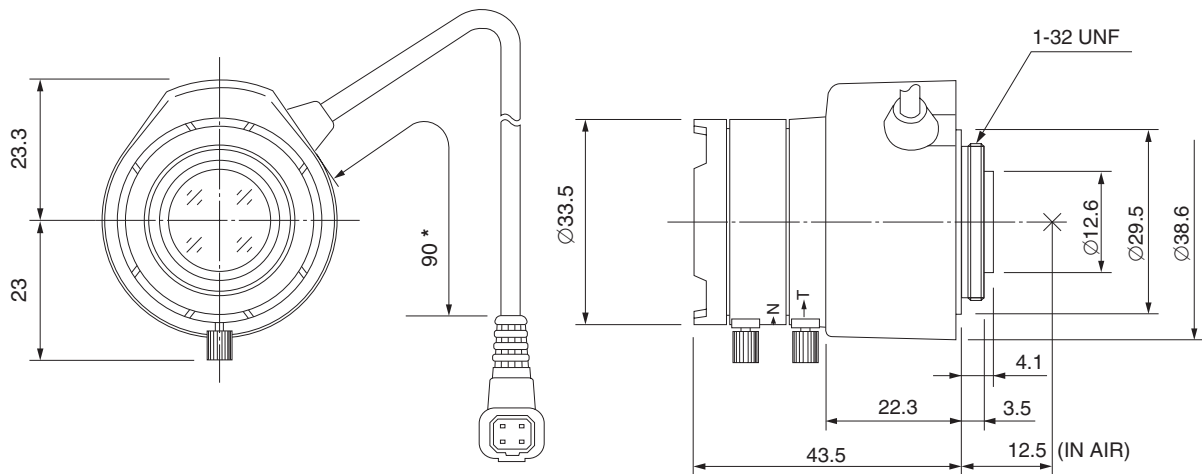
Model No.	HG2Z4516FCS-2		Effective	Front	Ø18.6mm			
Focal Length	4.5mm - 10mm		Lens Aperture	Rear	Ø9.0mm			
Max. Aperture Ratio	1:1.6		Back Focal	Tele	13.4mm			
Max. Image Format	6.4mm x 4.8mm(Ø8mm)		Length	Wide	8.6mm			
Operation Range	Iris	F1.6 - F360C		Flange Back Length	12.5mm			
	Focus	0.3m - Inf.		Mount	CS-Mount			
	Zoom	4.5mm - 10mm		Filter Size	—			
Control	Iris	DC Auto Iris		Dimensions	Ø33.5mm x 42.6mm x 43.5mm			
	Focus	Manual		Weight	54g			
	Zoom	Manual						
Object Dimension at M.O.D.	4.5mm	51.5cm x 34.9cm						
	10mm	20.8cm x 15.3cm						
Angle of View	D	1/2 type	102.3° - 47.6°	1/3 type	76.1° - 35.8°	1/4 type	56.5° - 26.9°	
	H		81.3° - 38.2°				60.4° - 28.7°	45.0° - 21.5°
	V		60.4° - 28.7°				45.0° - 21.5°	33.6° - 16.1°
Coil	Drive	190Ω						
	Control	855Ω						
Operating Temperature	-20°C - +50°C							

M.O.D : Minimum Object Distance

1/2 type

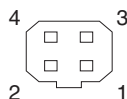
CS

Dimensions



* : 310mm cable is available

Wiring Diagram



Pin No.

1	BROWN	Control (-)
2	RED	Control (+)
3	YELLOW	Drive (+)
4	ORANGE	Drive (-)