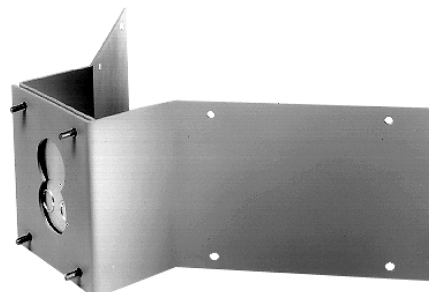


# CM400 Mount

## CORNER MOUNT, SPECTRA® AND LEGACY® ADAPTER

### Product Features

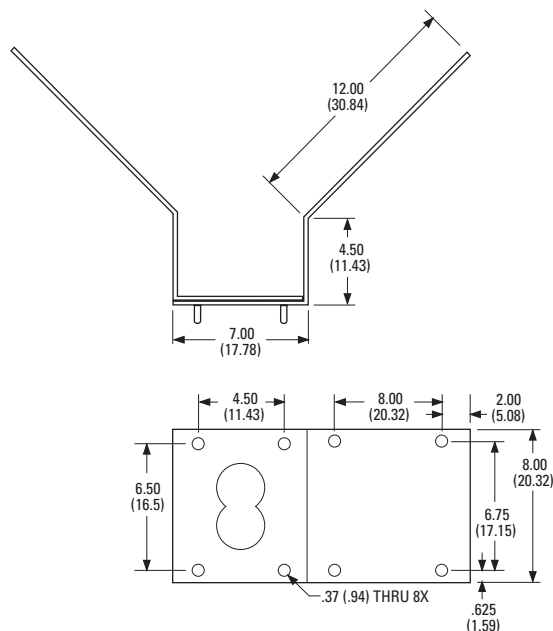
- Low Cost
- Rugged Construction
- Supports up to 75 Pounds (34 kg)
- Corner Mount Adapter for Spectra® and Legacy® Wall Mounts (IWM Series, IDM4018, and LWM41)
- Design Includes Mounting Studs for Quick, Simple, Installation of Wall Mount



The **CM400** is a corner mount adapter designed for use with Spectra® and Legacy® wall mounts. For Spectra, DF5, or DF8 Series pendant domes, use the IWM Series or IDM4018 wall mount. For Legacy positioning systems, use the LWM41 wall mount.

The LWM41, IWM Series, or IDM4018 wall mount is secured to the **CM400** by four 5/16-inch mounting studs; nuts and split lock washers are supplied.

Constructed from aluminum, the **CM400** is capable of supporting up to 75 pounds (34 kg) and features a cable feedthrough hole for easy routing of video and power cables. A block-off plate is included for non-feedthrough outdoor applications.



NOTE: VALUES IN PARENTHESES ARE CENTIMETERS; ALL OTHERS ARE INCHES.



# TECHNICAL SPECIFICATIONS

## MODEL

CM400 Corner mount adapter for IWM Series, IDM4018, and LWM41 wall mounts

## RELATED PRODUCTS

IWM Series Wall mount with cable feedthrough for use with Spectra®, DF5, and DF8 Series pendant style domes.

IDM4018 Wall mount with removable front end cap and cable feedthrough for use with Spectra, DF5, and DF8 Series pendant style domes.

LWM41 Legacy® wall mount. For use with Legacy integrated positioning systems.

EA4348 EWM adapter plate. Allows an EWM wall mount to be installed on a CM400 for use with an Esprit® Series integrated positioning system.

## MECHANICAL

Adapter Mounting Four 5/16-inch mounting studs (nuts and split lock washers supplied) for attaching LWM41, IDM4018, EA4348, or IWM Series mount

Mounting Method Secure with eight fasteners suitable for mounting surface (minimum 1/4-inch recommended, not supplied)

## GENERAL

Construction 6061 T6 aluminum, 0.125-inch (3.18mm) thick

Finish Gray polyester powder coat

Maximum Load 75 lb (34 kg)

Unit Weight 3 lb (1.36 kg)

Shipping Weight 8 lb (3.62 kg)



**Pelco, Inc. Worldwide Headquarters:**  
3500 Pelco Way, Clovis, California 93612-5699 USA  
**USA & Canada** Tel: (800) 289-9100 • FAX: (800) 289-9150  
**International** Tel: +1 (559) 292-1981 • FAX: +1 (559) 348-1120  
[www.pelco.com](http://www.pelco.com)

Pelco, the Pelco logo, Esprit, Legacy, and Spectra are registered trademarks of Pelco, Inc. Product specifications and availability subject to change without notice. ©Copyright 2003. Pelco, Inc. All rights reserved.