

LBC3095/15 Pendant sphere loudspeaker, 10W

www.boschsecurity.com



BOSCH
Invented for life



- ▶ Suitable for speech and music reproduction
- ▶ Simple power setting
- ▶ 5 m fixed connection cable
- ▶ Water and dust protected
- ▶ Robust self-extinguishing ABS enclosure to UL 94 V0

The LBC 3095/15 is a pendant sphere designed to be suspended from the ceiling via its connecting cable. The pleasing shape and neutral color make the pendant sphere models interesting architectural features in their own right.

Functions

The pendant sphere is splash waterproof and suitable for outdoor use and in environments with high humidity levels such as swimming pools. Their excellent sound spread makes them ideal for use in buildings with high ceilings such as supermarkets and superstores.

The enclosures are made from high-impact self-extinguishing ABS (according to class UL 94 V0) and are colored white. The pendant sphere is designed to be suspended from its color-matched connecting cable (easy to shorten for desired height). A cable clamp and ceiling cover are supplied.

They are not recommended for use in windy environments.

Certifications and approvals

All Bosch loudspeakers are designed to withstand operating at their rated power for 100 hours in accordance with IEC 268-5 Power Handling Capacity (PHC) standards. Bosch has also developed the Simulated Acoustical Feedback Exposure (SAFE) test to demonstrate that they can withstand two times their rated power for short durations. This ensures extra reliability under extreme conditions, leading to higher customer satisfaction, longer operating life, and much less chance of failure or performance deterioration.

All plastic parts are manufactured from self-extinguishing high-impact ABS material (according to UL 94 V0). In common with all Bosch products, care is taken to meet high safety standards. These sound projectors comply with all the relevant safety and installation regulations of EN 60065.

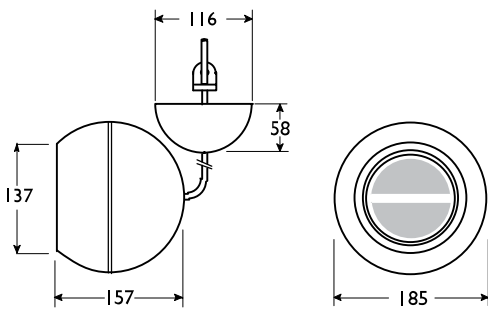
Water and dust protected

acc. to EN 60529, IP 33

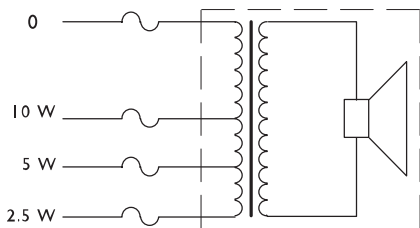
Region	Regulatory compliance/quality marks
Europe	CE
	CE DECL IP LBC3095_15

Installation/configuration notes

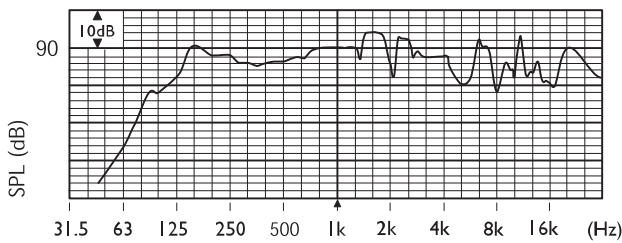
All units are supplied with a color-coded four-core connecting cable with each color connected to a different primary tap on the 100 V matching transformer. This allows nominal full-power, half-power or quarter-power radiation to be selected (in 3 dB steps).



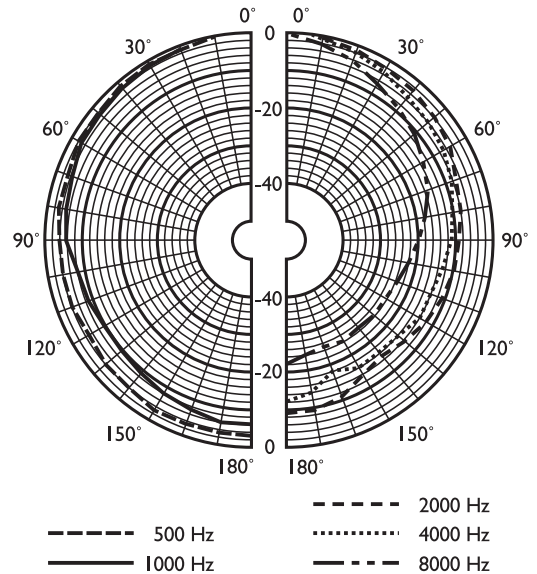
Dimensions (in mm)



Circuit diagram



Frequency response



Polar diagram (measured with pink noise)

	125 Hz	250 Hz	500 Hz	1 kHz	2 kHz	4 kHz	8 kHz
SPL 1.1	80	85	84	89	89	85	85
SPL max.	90	95	94	99	99	95	95
Q-factor	1.2	1.3	1.8	3.1	5.2	8.5	18
Efficiency	0.1	0.3	0.2	0.3	0.2	0.05	0.02
H. angle	360	360	360	180	125	90	55
V. angle	360	360	360	180	125	90	55

Acoustical performance specified per octave

Parts included

Quantity	Component
1	LBC 3095/15
1	Cable clamp
1	Ceiling cover

Technical specifications

Electrical*

Maximum power	15 W
Rated power	10 / 5 / 2.5 W
Sound pressure level at 10 W / 1 W (1 kHz, 1 m)	99 dB / 89 dB (SPL)

Opening angle at 1 kHz / 4 kHz (-6 dB)	180° / 90°
Effective frequency range (-10 dB)	130 Hz to 20 kHz
Rated voltage	100 V
Rated impedance	1000 ohm
Connection	5 m 4-wire cable

Mechanical

Dimensions (D x L)	185 x 157 mm (7.3 x 6.2 in)
Weight	1.64 kg (3.61 lb)
Color	White (RAL 9010)

Environmental

Operating temperature	-25 °C to +55 °C (-13 °F to +131 °F)
Storage and transport temperature	-40 °C to +70 °C (-40 °F to +158 °F)
Relative humidity	<95%

Ordering information

LBC3095/15 Pendant sphere loudspeaker, 10W

Pendant sphere, 10 W, white ABS enclosure, wide opening angle, water and dust protected IP33, fixed 5 m connection cable, cable clamp, and ceiling cover included.

Order number **LBC3095/15**

Accessories

LBC1256/00 Ceramic connection adapter

Emergency connection adapter, 3-pole screw ceramic connector with a pre-mounted thermal fuse, to be installed in series with the 100 V primary connection of a loudspeaker unit, set of 100 pieces.

Order number **LBC1256/00**

Represented by:

Europe, Middle East, Africa:
Bosch Security Systems B.V.
P.O. Box 80002
5600 JB Eindhoven, The Netherlands
Phone: + 31 40 2577 284
emea.securitysystems@bosch.com
emea.boschsecurity.com

Germany:
Bosch Sicherheitssysteme GmbH
Robert-Bosch-Ring 5
85630 Grasbrunn
Germany
www.boschsecurity.com

North America:
Bosch Security Systems, Inc.
130 Perinton Parkway
Fairport, New York, 14450, USA
Phone: +1 800 289 0096
Fax: +1 585 223 9180
onlinehelp@us.bosch.com
www.boschsecurity.us

Asia-Pacific:
Robert Bosch (SEA) Pte Ltd, Security Systems
11 Bishan Street 21
Singapore 573943
Phone: +65 6571 2808
Fax: +65 6571 2699
apr.securitysystems@bosch.com
www.boschsecurity.asia