



# CAN100F

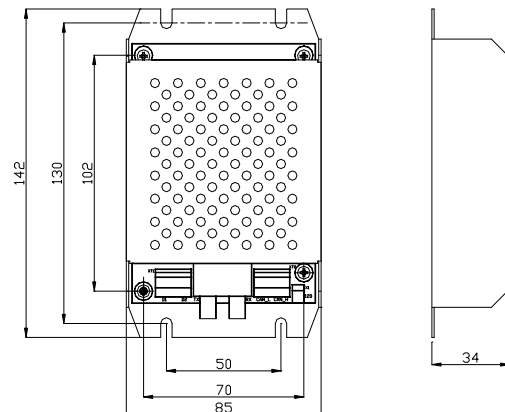
## Fiber Optic Converter

### Description

CAN100F is used to converting CAN signal to Fiber-optic, expanding communication distance up to 25km.

### Terminals and Installation Holes

CAN100F is wall mounted type. Mounting holes distance is shown below.



### Features and Benefits

- 24VDC powered.
- Transmission distance extends Max. 25 km
- High isolation voltage.
- Preventing against electromagnetic interference.
- Preventing against lightening.

Terminals of the converter are shown below.



D1 D2: 24VDC power supply, non-polarized.

CAN-L CAN-H: CAN network connection, polarized.

RX TX: Fiber Optic connector, single mode

### Certificates and Compliance

- WEEE & RoHS Compliant

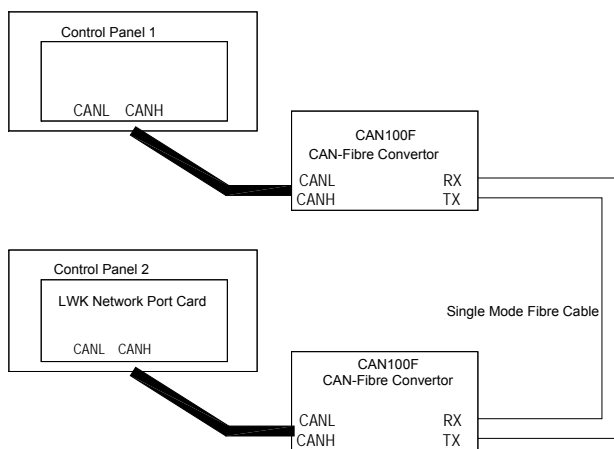
### Recommended Cabling

2-core, 1.0mm<sup>2</sup> Twisted-pair cable for network

2-core, 1.5mm<sup>2</sup> cable for 24VDC

## Application

The convertor is used to extend communication distance, application for topology. The typical connection is shown below.



## Technical Specification

Working voltage	19.2VDC ~ 28.8VDC
Standby Current	60mA
Operation Current	120mA
Fiber Connector	ST connector
Transmission Medium	Single mode fiber
Optical Wavelength	1310nm
Communication Distance	25km
Operating Environment	Temperature: 0°C ~ +40°C Relative Humidity: ≤95%, non condensing.
Dimension	85mm × 142mm × 34mm
IP Rate	IP30

## Ordering Information and Compatible Products

Part No.	CAN100F
Device Name	Fiber Optic Converter
Order Code	1661885
Compatible Products	P-9960 Network card P-9960A Network card P-9965 Network card P-9965A Network card