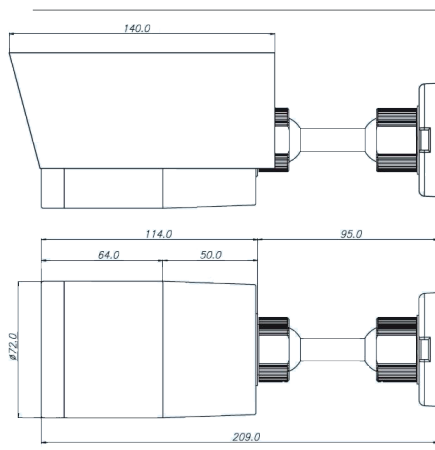




The performance features at a glance

- Integrated IR-LEDs
- 3,3mm - 12,0mm DC-Iris Objektiv
- 1/3" Sony HAD II CCD / Pixim CMOS
- 12VDC / 24VAC
- IP67
- Cable feed-through bracket
- 600 TVL / 690 TVL (WDR-Version)



High versatility

The Bulletcameras with protection class IP67 from the 8312er series convince by excellent picture quality, thanks to the built-in 3.3mm - 12.0mm lens. Many applications can meet the high quality bullet camera by it.

Outstanding advantages

You can choose whether the camera is powered by 24VDC or 12VAC. Thanks to the supplied bracket through which the cable assembly is designed to easily and quickly.

High-performance technology

Depending on the requirements, the ZC-Series BX8312er provides you with different models, in this case, you have the choice between the version with digital- (ZC-BT8312PBA) or with mechanical Day-/Night switching (ZC-BNT8312PBA). The ZC-BWNT8312PBA has got additionally a WDR function.

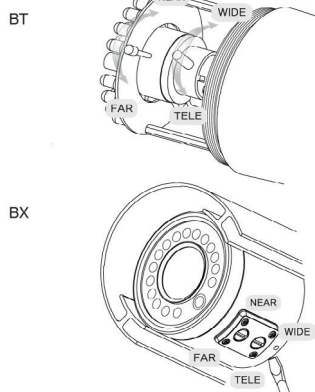
Other special features

Also integrated are high-power IR LEDs. These provide even in complete darkness clear images. In the BT version the setting for zoom and focus is within the housing.

Order data

Order number	Product description
ZC-BT8312PBA digital Day/Night ZC-BNT8312PBA mechan. Day/Night ZC-BWNT8312PBA plus WDR	Outdoor camera IP67 with varifocal lens 3.3mm - 12.0mm, DC iris (F1.2), 1/3" IT-CCD/CMOS, 600/690 lines, 0 lux (IR on), 24 integrated IR LEDs, 12 VDC/24 VAC, cable routing through the wall bracket

Bulletcameraseries ZC-BT8312PBA



Advantages for the installer

Installation and setup are completed quickly. By OSD settings can be done directly at the camera as necessary. The result can be achieved by connecting a monitor service as the ZM-L406P-II check directly.

Technical specifications	ZC-BT8312PBA	ZC-BNT8312PBA	ZC-BWNT8312PBA
Videosystem	PAL		
Scanning system	2 :1 Interlaced		
Sensor	1/3" Sony HAD II CCD		1/3" Pixim CMOS
Effective pixel (H x V)	752 (H) x 582 (V)		
Videoutput	1.0Vp-p 75 Ohm BNC		
Horizontal lines	600 TVL		690 TVL
Minimal illumination (50IRE)	0,0 lux (IR on)		
Day-/Nightswitching	Digital	Mechanical	
Lens	3,3 mm - 12,0 mm		
Field of view (hor)	89.80° - 23.90°		
Elektronic Shutter	1/50, FLK, 1/50 ~ 1/100000		
White balance	ATW1, ATW, AWC, Manual		
WDR	Yes (digital)		Yes
HLC	Yes		
Motion detection	Yes		
Privacy Masking	Yes		
DNR	Yes (2D)		
IR	15m distance		
Signal-to-noise ratio	>50 dB		
Protection class	IP67		
Operating voltage	12V DC / 24V AC		
Power consumption	6,5 Watt @ 12VDC, 5,7 Watt @ 24VAC		
Operating temperature	-20°C - 50°C		
Dimensions (Ø x H)	72mm x 209mm		
Weight	750g		

CBC (Europe) GmbH
Hansaallee 191
D-40549 Düsseldorf
T: +49-(0)211 53 06 70
F: +49-(0)211 53 06 71 80
info@cbc-de.com
www.cbc-de.com

CBC (Poland) Sp.z.o.o
Oddział w Warszawie
Ul. Krasynskiego 41A
PL-01-755 Warsaw
T: +48-(0)22 6 33 90 90
F: +48-(0)22 6 33 90 60
info@cbcpoland.pl
www.cbcpoland.pl

CBC Russia Moscow Rep. office
Office 503B World Trade Center
12 Krasnopresnenskaya nab.
RU-1123610 Moscow
T: +7-495 258 2161
F: +7-495 258 2160
info@cbc.ru
www.cbc.ru

CBC (Europe) Ltd. Ufficio di Milano
Via E. Majorana, 2
I-20834 Nova Milanese (MB)
T: +39-0362 36 50 79
F: +39-0362 4 00 12
info@cbceurope.it
www.cbceurope.it

CBC CORPORATION (INDIA), PRIVATE LTD
2F B Wing, Marwah Centre
Krishanlal Marwah Marg
Andheri East, Mumbai 400 072, India
T: +91 22 2857 9798
F: +91 22 6649 1708
enquiry@cbcindia.jp

CBC (Europe) Ltd.
7/8 Garrick Industrial Centre
Irving Way
UK-NW9 6AQ London
T: +44-(0)20 87 32 33 10
F: +44-(0)20 82 02 33 87
info@cbcuk.com
www.cbceurope.com