



GST-303 Extinguishing Control Panel

Description

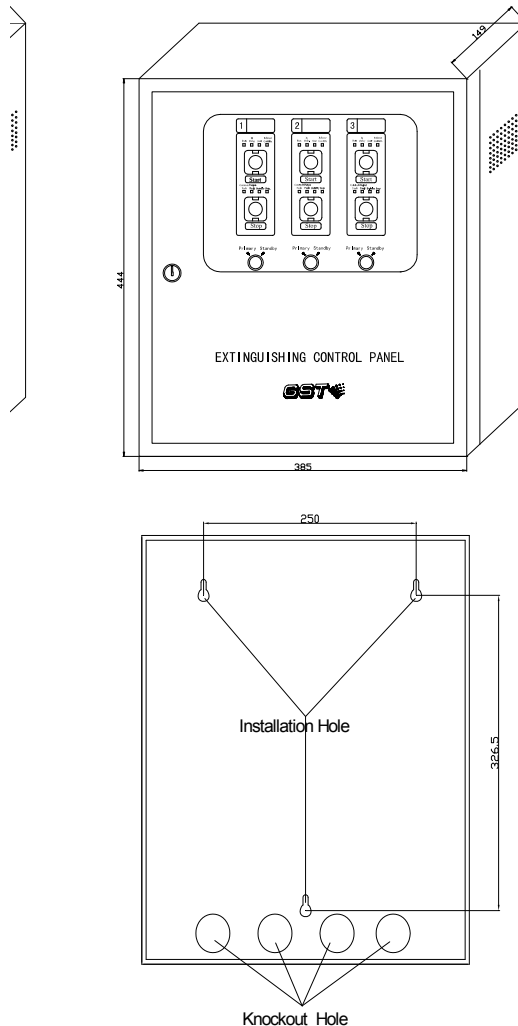
GST303 Extinguishing Control Panel is designed for driving the executing units of a fixed extinguishing system. The panel sits in GST addressable loop, receives command from fire alarm control panel and carries out gas extinguishing.

Features and Benefits

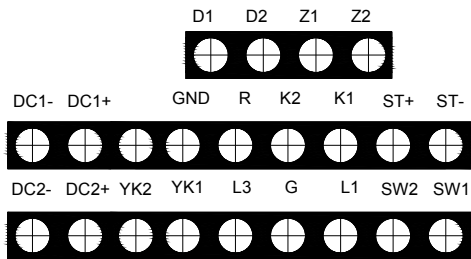
- Directly connected to the loop of GST intelligent fire alarm control panels that are able to control associated fire suppression equipment to achieve automatic control of gas release.
- Through emergency gas override control in field or *Start* and *Stop* keys on the control panel, it can control gas release devices independent, even if the FACP is not working properly.
- All cables monitored for fault of open circuit and short circuit.
- Adjustable delay timer and release output period.
- Optional pulse or continuous output.

Installation Data

The GST303 Extinguishing Control Panel is wall-mount type. Its appearance and the mounting holes are shown here.



Terminals and Connections



Technical Specifications

Operation Voltage	24VDC
Standby Power Consumption	≤10W
Zone Quantity	3
Delay timer	0 ~ 45s, steps @5s
Gas Extinguishing Output	Pulse (5s) or Continuous output, Max. 2A
Other Outputs	Release Indicator: 300mA/24VDC Stop Indicator: 100mA/24VDC Sounder: Dry-contact, 1A/24VDC
Operating Environment	0°C ~ +40°C ≤95%, non condensing
Dimensions	385mm(W) x 444mm(H) x 149mm(D)

Recommended cabling:

* All cables should be fire rated and follow local codes.

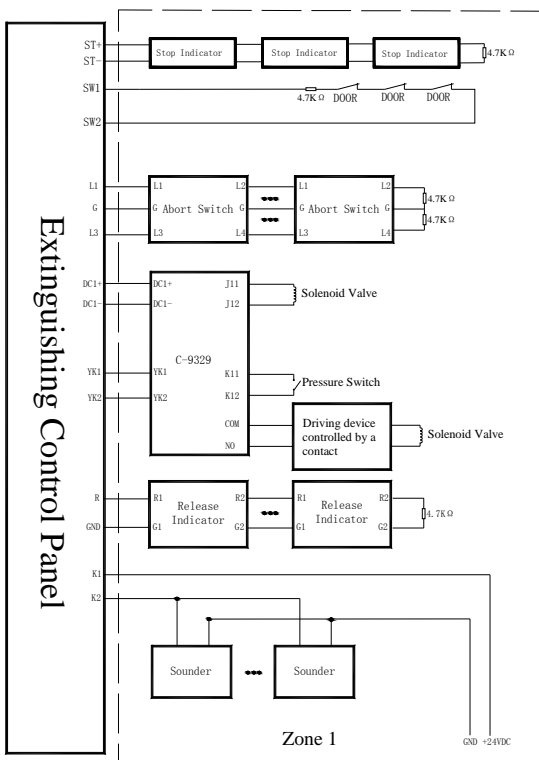
24VDC Power: 2.5mm², 100 meters

Cylinder: 2.5mm², 100 meters

Others: Minimum 1.0mm², ideally 1.5mm²

Order Information

Part No.	GST303
Device Name	Extinguishing Control Panel
Order Code	1344301
Compatible Panels	GST200-2 GST200N GST-IFP8
Compatible Devices	C-9317 Emergency Gas Override Control C-9318 Gas Extinguishing Warning Indicator C Series Conventional Detector DC Series Conventional Detector DC-9204E Conventional Manual Call Point C-9403 Conventional Sounder Strobe C-9404 Conventional Sounder



Variant Models

Part No.	Order Code	Property
GST303	1344278	Russian Language