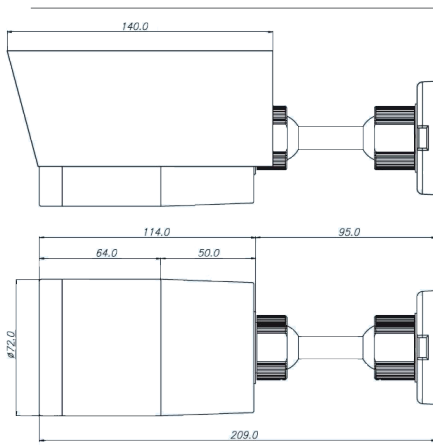




## The performance features at a glance

- Integrated IR-LEDs
- 3,0mm - 9,0mm DC-Iris Objektiv
- 1/3" Sony HAD II CCD / Pixim CMOS
- 12VDC / 24VAC
- IP67
- Cable feed-through bracket
- 600 TVL / 690 TVL (WDR-version)



## High versatility

The Bulletcameras with protection class IP67 from the 8039er series convince by excellent picture quality, thanks to the built-in 3.0 - 9.0 mm lens. Many applications can meet the high quality bullet camera by it.

## Outstanding advantages

You can choose whether the camera is powered by 24VAC or 12VDC. Thanks to the supplied bracket through which the cable assembly is designed to easily and quickly.

## High-performance technology

Depending on the requirements, the ZC-Series BT8039er provides you with different models, in this case, you have the choice between the version with digital- (ZC-BT8039PBA) or with mechanical Day-/Night switching (ZC-BNT8039PBA). The ZC-BWNT8039PBA has got additionally a WDR function.

## Other special features

Also integrated are high-power IR LEDs. These provide even in complete darkness clear images. In the BT version the setting for zoom and focus is within the housing.

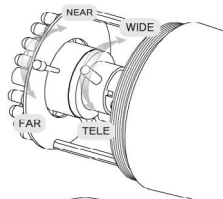
## Order data

Order number	Product description
ZC-BT8039PBA digital Day/Night ZC-BNT8039PBA mechan. Day/Night ZC-BWNT8039PBA plus WDR	Outdoor camera IP67 with varifocal lens 3.0 - 9.0 mm, DC iris (F1.2), 1/3" IT-CCD/CMOS, 600/690 lines, 0 lux (IR on), 24 integrated IR LEDs, 12 VDC/24 VAC, cable routing through the wall bracket

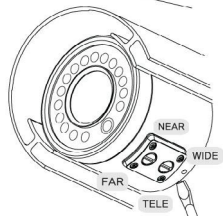
# Bulletcameraseries ZC-BT8039PBA



BT



BX



## Advantages for the installer

Installation and setup are completed quickly. By OSD settings can be done directly at the camera as necessary. The result can be achieved by connecting a monitor service as the ZM-L406P-II check directly.

Technical specifications	ZC-BT8039PBA	ZC-BNT8039PBA	ZC-BWNT8039PBA
Videosystem	PAL		
Scanning system	2 :1 Interlaced		
Sensor	1/3" Sony HAD II CCD		1/3" Pixim CMOS
Effective pixel ( H x V)	752 (H) x 582 (V)		
Videoutput	1.0Vp-p 75 Ohm BNC		
Horizontal lines	600 TVL		690 TVL
Minimal illumination (50IRE)	0,0 lux (IR on)		
Day-/Nightswitching	Digital	Mechanical	
Lens	3,0 mm - 9,0 mm		
Elektronik Shutter	1/50, FLK, 1/50 ~ 1/100000		
White balance	ATW1, ATW, AWC, Manual		
WDR	Yes (digital)		Yes
HLC	Yes		
Motion detection	Yes		
Privacy Masking	Yes		
DNR	Yes (2D)		
IR	15m distance		
Signal-to-noise ratio	>50 dB		
Operating voltage	12V DC / 24V AC		
Power consumption	6,5 Watt @ 12VDC, 5,7 Watt @ 24VAC		
Operating temperature	-20°C - 50°C		
Dimensions (Ø x H)	72mm x 209mm		
Weight	750g		