

EH14 Series Enclosure

INDOOR/OUTDOOR, COMPACT, DUST- AND MOISTURE-RESISTANT

Product Features

- Temperature Range from -40° to 60°C (-40° to 140°F)
- Anti-UV, Flame-Retardant Polycarbonate Plastic
- IP66 Dust- and Moisture-Resistant
- Suitable for Analog and IP Network Cameras
- Input Power Options: 24 VAC or 230 VAC
- 24 VAC Camera Power Available in EH14-2 and EH14-3 Models
- Advanced Optics for Megapixel Camera Support



The **EH14 Series** enclosure offers two integrated power supply options for 24 VAC power input and 230 VAC power input; both units supply 24 VAC to the camera.

The enclosure is designed to operate in temperatures ranging from -40° to 60°C (-40° to 140°F). The EH14-2 and EH14-3 models are equipped with a heater/blower.

The injection-molded enclosures are tight-fitting and IP66 rated for protection against dust and moisture. The polycarbonate plastic material is UV protected and flame-retardant.

The **EH14 Series** enclosure is designed to accommodate analog cameras and IP megapixel cameras.

TECHNICAL SPECIFICATIONS

MODELS

Model Number	Basic Enclosure	24 VAC with 24 VAC Camera Power (maximum 8 W)	230 VAC with 24 VAC Camera Power (maximum 8 W)	Heater/Blower	Max. Power Consumption*
EH14	•				0 W
EH14-2	•	•		•	30 W
EH14-3	•		•	•	25 W

*Maximum Power Consumption does not include camera wattage.

GENERAL

Construction	Polycarbonate plastic, UV protected and flame-retardant	
Finish	Gray polyester powder coat	
Environment	Indoor/outdoor	
Operating Temperature	-40° to 60°C (-40° to 140°F)	
Storage Temperature	-50° to 75°C (-46° to 167°F)	
Weight	Unit	Shipping
EH14	1.0 kg (2.2 lb)	2.2 kg (4.7 lb)
EH14-2	1.1 kg (2.4 lb)	2.3 kg (5.1 lb)
EH14-3	1.4 kg (3.1 lb)	2.6 kg (5.7 lb)

MECHANICAL

Camera and Lens Size	Accepts camera and lens combinations [†] (including all wiring) up to 27.94 x 8.25 x 10.16 cm (11.00" L x 3.25" W x 4.00" H)
Viewing Window	
EH14	Glass
EH14-2	Glass
EH14-3	Optical grade Lexan™
Latching	2 captivated Torx T25 screws
Face Plate	4 Phillips screws
Cable Entry	2 adjustable 0.5-inch NPT liquid-tight glands

[†]Assumes lens is fully extended.

ELECTRICAL

Input Power	24 VAC or 230 VAC
Input Voltage	
24 VAC	±10% VAC
230 VAC	±10% VAC

CERTIFICATIONS/PATENTS

- CE, Class A
- Meets NEMA Type 4 and IP66 standards

RECOMMENDED MOUNTS

Ceiling

EM3000 Light duty ceiling mount; maximum load 9.07 kg (20 lb)

Wall

EM14 Light duty wall mount; maximum load 9.07 kg (20 lb)

EM2400 Medium duty wall mount; maximum load 18.14 kg (40 lb) feedthrough (tilt angle of ±90°)


EM1900U, EM22 Medium duty wall mount; maximum load 18.14 kg (40 lb)

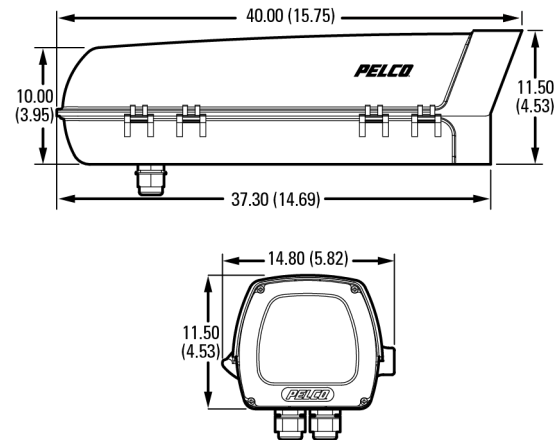
Pedestal

EM1009U, EM1015U, MM22 Medium duty pedestal mount, maximum load 18.14 kg (40 lb)

Pipe/Pole

EM1109, EM2000, EM2200 Medium duty mounts for pipe/pole applications; maximum load 18.14 kg (40 lb); fit poles with 7.62 cm (3-inch) to 20.32 cm (8-inch) diameters

 VALUES IN PARENTHESES ARE INCHES; ALL OTHERS ARE CENTIMETERS.



Pelco by Schneider Electric

3500 Pelco Way, Clovis, California 93612-5699 United States

USA & Canada Tel (800) 289-9100 Fax (800) 289-9150

International Tel +1 (559) 292-1981 Fax +1 (559) 348-1120

www.pelco.com www.pelco.com/community

Pelco, the Pelco logo, and other trademarks associated with Pelco products referred to in this publication are trademarks of Pelco, Inc. or its affiliates. ONVIF and the ONVIF logo are trademarks of ONVIF Inc. All other product names and services are the property of their respective companies.

Product specifications and availability are subject to change without notice.

©Copyright 2014, Pelco, Inc. All rights reserved.