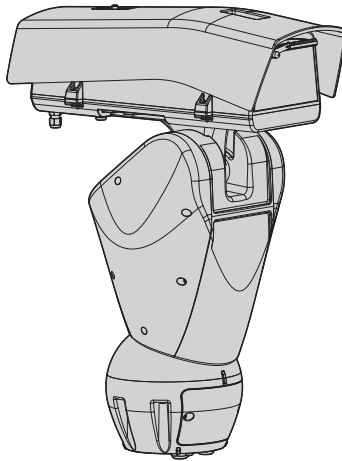




# ULISSE2

Universal Full IP PTZ for IP cameras



**EN** English - Instructions manual

**IT** Italiano - Manuale di istruzioni

**FR** Français - Manuel d'instructions

**DE** Deutsch - Bedienungsanleitung

**RU** Русский - Руководство по эксплуатации

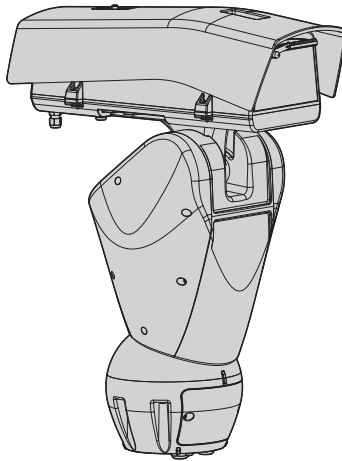






# ULISSE2

Universal Full IP PTZ for IP cameras





# Contents

|   |           |
|---|-----------|
| <b>1 About this manual</b>  | <b>7</b>  |
| 1.1 Typographical conventions   | 7         |
| <b>2 Notes on copyright and information on trademarks</b>   | <b>7</b>  |
| <b>3 Safety rules</b>   | <b>8</b>  |
| <b>4 Identification</b>   | <b>10</b> |
| 4.1 Product description and type designation  | 10        |
| 4.2 Product Overview  | 10        |
| 4.3 Product marking   | 11        |
| 4.3.1 Checking the markings   | 11        |
| <b>5 Versions</b>   | <b>11</b> |
| 5.1 Germanium window  | 11        |
| <b>6 Preparing the product for use</b>  | <b>12</b> |
| 6.1 Safety precautions before use   | 12        |
| 6.2 Unpacking   | 12        |
| 6.3 Contents  | 12        |
| 6.4 Safely disposing of packaging material  | 12        |
| 6.5 Preparatory work before installation  | 13        |
| 6.5.1 Attaching the bracket   | 13        |
| 6.5.2 Cables management   | 13        |
| 6.5.3 Pre-configuration of third party cameras  | 13        |
| <b>7 Assembly</b>   | <b>14</b> |
| 7.1 Cameras features  | 14        |
| 7.2 Fixing the sunshield  | 14        |
| 7.3 Assembling the camera and motorised lenses  | 14        |
| 7.3.1 How to open the housing   | 14        |
| 7.3.2 How to install the camera   | 15        |
| 7.4 Connection of the camera and motorised lens   | 17        |
| 7.4.1 Housing board description   | 17        |
| 7.4.2 Maximum nominal values of the camera and motorised lens   | 18        |
| 7.4.3 Network camera connection   | 18        |
| 7.4.4 Connecting the controlled motorised lenses when powered   | 19        |
| 7.4.4.1 Connecting the lenses with reverse polarity motors  | 19        |
| 7.4.4.2 Connecting lenses with common wiring motors   | 19        |
| 7.4.4.3 Adjustment of the supply voltage of the lens motors   | 19        |
| 7.4.4.4 Connecting the potentiometers   | 19        |
| 7.4.4.5 One Push Autofocus  | 20        |
| 7.4.5 Connecting the motorised lenses controlled via serial line                                      | 20        |
| 7.4.6 Installation of the visible camera module (optional)  | 20        |
| 7.4.7 Installation of the upper body of the housing with anti-icing heated glass and wiper (optional) | 21        |
| 7.4.8 Closing the housing   | 21        |
| <b>8 Installation</b>   | <b>21</b> |
| 8.1 Fixing the base to the support  | 21        |

|   |           |
|---|-----------|
| 8.2 Connecting the Pan & Tilt to the system .....                                     | 23        |
| 8.2.1 Connector board description.....  | 23        |
| 8.2.2 Connection of the power supply line.....  | 23        |
| 8.2.3 Signal cable connection.....  | 24        |
| 8.2.3.1 Connection of the Ethernet cable.....   | 24        |
| 8.2.3.2 Connection of the alarm inputs, of the twilight switch and of the relays..... | 24        |
| 8.3 Selecting the unit operating mode.....  | 25        |
| 8.3.1 Description of the Master Selection mode .....                                  | 25        |
| 8.3.2 Description of the Factory Default procedure.....                               | 26        |
| 8.4 Closing the connector housing cover.....  | 26        |
| 8.5 Installing the memory card.....   | 26        |
| 8.6 Fixing the upper body.....  | 27        |
| 8.7 LED illuminators installation (optional features).....                            | 27        |
| 8.7.1 Fitting the bracket.....  | 27        |
| 8.7.2 Fitting the illuminator on the bracket.....                                     | 28        |
| 8.8 Connection of the LED illuminators.....   | 29        |
| 8.9 LED illuminator activation and adjustment instructions .....                      | 29        |
| 8.9.1 LED illuminator switching on threshold adjustment .....                         | 30        |
| 8.9.2 LED illuminator power adjustment.....   | 30        |
| 8.9.3 Activation of the LED illuminator via an external dusk switch.....              | 31        |
| 8.9.4 Activation of the LED illuminator via the integrated dusk sensor .....          | 31        |
| 8.9.5 Activation of the LED illuminators via the camera .....                         | 31        |
| 8.9.6 Manually activate the LED illuminators.....                                     | 31        |
| <b>9 Switching on .....</b>   | <b>32</b> |
| <b>10 Configuration.....</b>  | <b>32</b> |
| 10.1 Default IP address .....   | 32        |
| 10.2 Identification of the MAC address.....   | 32        |
| 10.3 Web interface.....   | 33        |
| 10.3.1 First access to the web pages.....   | 33        |
| 10.3.2 Hardware Configuration Page.....   | 33        |
| 10.3.3 Home Page.....   | 36        |
| 10.3.3.1 Video Snapshot.....  | 36        |
| 10.3.3.2 System Status.....   | 36        |
| 10.3.3.3 Horizontal and vertical movement.....  | 37        |
| 10.3.3.4 Lens control.....  | 37        |
| 10.3.3.5 Wiper and wash system control.....   | 37        |
| 10.3.3.6 Day/Night mode control.....  | 37        |
| 10.3.3.7 Slave illuminator control.....   | 37        |
| 10.3.3.8 Preset management.....   | 38        |
| 10.3.3.9 Relay and alarm status control .....   | 38        |
| 10.3.3.10 Device control using the keyboard .....                                     | 38        |
| 10.3.4 Device Parameters Page .....   | 39        |
| 10.3.5 Device Statistics Page.....  | 39        |
| 10.3.6 Network Page .....   | 39        |
| 10.3.7 Users Page.....  | 40        |
| 10.3.8 Movements Page.....  | 40        |
| 10.3.9 Autopan Page.....  | 41        |
| 10.3.10 Patrol Page .....   | 41        |
| 10.3.11 Motions Recall Page.....  | 41        |

|   |           |
|---|-----------|
| 10.3.12 Preset Page.....                        | 42        |
| 10.3.13 Preset (Advanced) Page.....             | 42        |
| 10.3.14 Digital Inputs Page.....                | 42        |
| 10.3.15 Digital Outputs Page.....               | 43        |
| 10.3.16 Auxiliary Commands Page.....            | 43        |
| 10.3.17 Night Mode Page.....                    | 44        |
| 10.3.18 Wash System Page.....                   | 45        |
| 10.3.19 Camera Setting Page.....                | 46        |
| 10.3.19.1 Third party camera.....               | 46        |
| 10.3.19.2 Visible camera module.....            | 46        |
| 10.3.20 Masking Page.....                       | 48        |
| 10.3.21 System Log Page.....                    | 49        |
| 10.3.22 Tools Page.....                         | 49        |
| <b>11 Accessories.....</b>                      | <b>50</b> |
| 11.1 Washer.....                                | 50        |
| 11.2 Mounting bracket for LED illuminators..... | 50        |
| 11.3 LED illuminators.....                      | 50        |
| 11.4 Wall mount bracket.....                    | 50        |
| 11.5 Parapet bracket.....                       | 50        |
| 11.6 Visible camera module.....                 | 51        |
| 11.7 Anti-icing heated glass.....               | 51        |
| <b>12 Maintenance.....</b>                      | <b>52</b> |
| 12.1 Fuses replacement.....                     | 52        |
| <b>13 Cleaning.....</b>                         | <b>52</b> |
| 13.1 Window and plastic cover cleaning.....     | 52        |
| 13.2 Cleaning the germanium window.....         | 52        |
| <b>14 Disposal of waste materials.....</b>      | <b>52</b> |
| <b>15 Troubleshooting.....</b>                  | <b>53</b> |
| <b>16 Technical data.....</b>                   | <b>56</b> |
| 16.1 General.....                               | 56        |
| 16.2 Mechanical.....                            | 56        |
| 16.3 Housing's window.....                      | 57        |
| 16.4 Electrical.....                            | 57        |
| 16.5 Network.....                               | 57        |
| 16.6 Camera.....                                | 58        |
| 16.7 Environment.....                           | 59        |
| 16.8 Certifications.....                        | 59        |
| <b>17 Technical drawings.....</b>               | <b>60</b> |



# 1 About this manual

Read all the documentation supplied carefully before installing and using this unit. Keep the manual in a convenient place for future reference.

## 1.1 Typographical conventions

**DANGER!**

**High level hazard.**

**Risk of electric shock. Disconnect the power supply before proceeding with any operation, unless indicated otherwise.**

**DANGER!**

**Mechanical hazard.**

**Risk of crushing or shearing.**

**DANGER!**

**Hot surface.**

**Avoid contact. Surfaces are hot and may cause personal injury if touched.**

**DANGER!**

**Emission of visible light or infrared.**

**Can be harmful for eyes. Pay attention to the provided indications.**

**CAUTION!**

**Medium level hazard.**

**This operation is very important for the system to function properly. Please read the procedure described very carefully and carry it out as instructed.**

**INFO**

**Description of system specifications.**

**We recommend reading this part carefully in order to understand the subsequent stages.**

## 2 Notes on copyright and information on trademarks

The quoted names of products or companies are trademarks or registered trademarks.

### 3 Safety rules



**CAUTION!** The electrical system to which the unit is connected must be equipped with a 20A max automatic bipolar circuit breaker. This circuit breaker must be of the Listed type. The minimum distance between the circuit breaker contacts must be 3mm (0.1in). The circuit breaker must be provided with protection against the fault current towards the ground (differential) and the overcurrent (magnetothermal).



**Before starting any operation, make sure the power supply is disconnected.**



**CAUTION!** Hazardous moving parts. Keep fingers and other body parts away.



**CAUTION!** Device installation and maintaining must be performed by specialist technical staff only.



**CAUTION!** For continued protection against risk of fire, replace only with same type and rating of fuse. Fuses must be replaced only by service personnel.



**CAUTION!** TNV-1 installation type. The installation is type TNV-1, do not connect it to SELV circuits.



**CAUTION!** In order to reduce the risk of fire, only use UL Listed or CSA certified cables with sections greater than or equal to 0.14mm<sup>2</sup> (26AWG).



**CAUTION!** Disconnect TNV circuit connector before opening product.

- The manufacturer declines all responsibility for any damage caused by an improper use of the appliances mentioned in this manual. Furthermore, the manufacturer reserves the right to modify its contents without any prior notice. The documentation contained in this manual has been collected with great care. The manufacturer, however, cannot take any liability for its use. The same thing can be said for any person or company involved in the creation and production of this manual.



- Be careful not to use cables that seem worn or old.
- Never, under any circumstances, make any changes or connections that are not shown in this handbook. Improper use of the appliance can cause serious hazards, risking the safety of personnel and of the installation.
- Use only original spare parts. Non-original spare parts could cause fire, electrical discharge or other hazards.
- Before proceeding with installation, check the supplied material to make sure it corresponds to the order specification by examining the identification labels (4.3 Product marking, page 11).
- This device was designed to be permanently secured and connected on a building or on a suitable structure. The device must be permanently secured and connected before any operation.
- The product is designed to house only cameras that are properly certified.
- The maximum nominal value of the camera must be 12Vdc, 18W max (57Vdc, 13W max for PoE versions).
- A power disconnect device must be included in the electrical system, and it must be very quickly recognizable and operated if needed.
- The separate protective earthing terminal provided on this product shall be permanently connected to earth.
- Installation category (also called Overvoltage Category) specifies the level of mains voltage surges that the equipment will be subjected to. The category depends upon the location of the equipment, and on any external surge protection provided. Equipment in an industrial environment, directly connected to major feeders/short branch circuits, is subjected to Installation Category III. If this is the case, a reduction to Installation Category II is required. This can be achieved by use of an insulating transformer with an earthed screen between primary and secondary, or by fitting UL listed Surge Protective Devices (SPDs) from live to neutral and from neutral to earth. Listed SPDs shall be designed for repeated limiting of transient voltage surges, suitable rated for operating voltage and designated as follows: Type 2 (Permanently connected SPDs intended for installation on the load side of the service equipment overcurrent device); Nominal Discharge Current ( $I_n$ ) 20kA min. For example: FERRAZ SHAWMUT, STT2240SPG-CN, STT2BL240SPG-CN rated 120Vac/240Vac, ( $I_n=20kA$ ). Maximum distance between installation and reduction is 5m.
- The device must be properly connected to the earth circuit.
- Connect the device to a power source corresponding to the indications given on the marking label. Before proceeding with installation make sure that the power line is properly isolated. The supply voltage should never exceed the limit ( $\pm 10\%$ ).

## 4 Identification

### 4.1 Product description and type designation

ULISSE2 is an outdoor full IP PTZ unit for control and management of all third-party IP cameras and thermal imaging cameras (ONVIF-S or those equipped with an RS485 serial port), with direct access via a browser to the camera's interface for setup and diagnostics.

Thanks to ONVIF-S protocols, the Full IP connectivity of the ULISSE2 allows you to network-control P&T plus all camera functions, including the wiper, washer pump, pre-sets, illuminator activation and setup, using the most popular VMS' on the market.

The advanced protection technology used has allowed certain characteristics of the new PTZ to be enhanced, such as the temperature range of -40°C (-40°F) to +65°C (+149°F). The unit can be demisted with forced air and the temperature is constantly controlled, thus preventing condensation and guaranteeing an ideal operating temperature range for the camera.

The LED illuminators are easily integrated onto the P&T, even post-installation, without the need for additional power sources and independently of the unit's power supply. The second illuminator can be turned on at certain zoom parameters, pre-set positions or manually to avoid spotlighting a near-by subject or to control a floodlight.

The PTZ is equipped with a wiper that, with the help of the optional washer kit, always keeps the camera window clean for perfect visibility in all weathers.

The efficient automatic self-test rapidly detects the state of the system and all reported events are stored in the internal log. A complete system backup is possible via the Micro SD slot.

Improved accessibility to connections allows you to carry out wiring and diagnostics quickly and easily, without dismantling the product. ULISSE2 can be completely assembled using a single hex key (supplied)

### 4.2 Product Overview

The product consists of 4 parts:

1. Upper part of the housing.
2. Third party camera and motorised lens (not supplied)/Third party camera with integrated lens (not supplied)/Visible camera module (accessory).
3. Body.
4. Base.

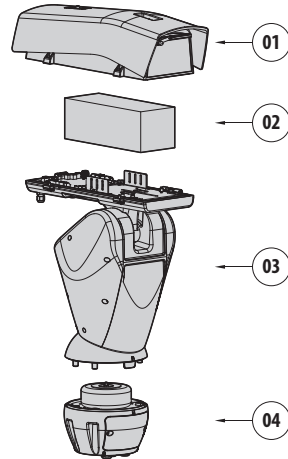


Fig. 1

## 4.3 Product marking



Pan & tilt devices have a label complying with CE markings.

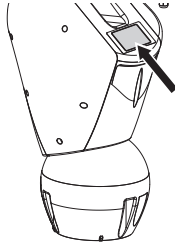


Fig. 2

The label shows:

- Model identification code (Extended 3/9 bar code).
- Supply voltage (Volt).
- Frequency (Hertz).
- Current consumption (Amps).
- Weatherproof standard (IP).
- Serial number.

### 4.3.1 Checking the markings

Before proceeding further with installation, make sure the material supplied corresponds to the order specification by examining the marking labels.

Never, under any circumstances, make any changes or connections that are not shown in this handbook. Improper use of the appliance can cause serious hazards, risking the safety of personnel and of the installation.

## 5 Versions

### 5.1 Germanium window

The version with germanium window has been developed for applications with thermal cameras.

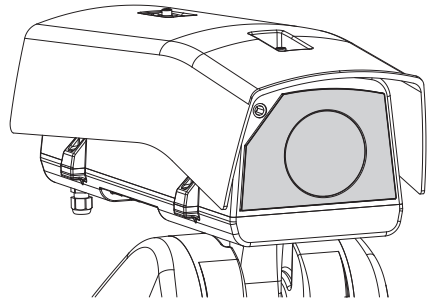




Fig. 3

## 6 Preparing the product for use

 **Any change that is not expressly approved by the manufacturer will invalidate the guarantee.**

 **The unit must not be dismantled or tampered with. The only exceptions are those concerning the assembly and maintenance operations stipulated in this manual.**

### 6.1 Safety precautions before use


 **The appliance includes moving parts. Make sure that the unit is positioned where it is inaccessible under normal operating conditions. Attach the warning label supplied with the appliance, placing it near the unit so that it can be seen easily.**



Fig. 4

### 6.2 Unpacking

When the product is delivered, make sure that the package is intact and that there are no signs that it has been dropped or scratched.

If there are obvious signs of damage, contact the supplier immediately.

When returning a faulty product we recommend using the original packaging for shipping.

Keep the packaging in case you need to send the product for repairs.

## 6.3 Contents

Check the contents to make sure they correspond with the list of materials as below:

- Positioning unit
- Power supply base
- Accessories package:
  - Allen wrench
  - Spacers
  - Label
  - Cable ties
  - Silicone sheath
  - Reduction gaskets for cable glands
  - Instruction manual
  - Bolts and screws
- Sunshield

### 6.4 Safely disposing of packaging material

The packaging material can all be recycled. The installer technician will be responsible for separating the material for disposal, and in any case for compliance with the legislation in force where the device is to be used.

## 6.5 Preparatory work before installation

### 6.5.1 Attaching the bracket

Different types of supports are available (11 Accessories, page 50). Choose a suitable bracket for the installation and follow all the instructions in the suggested chapter.

**⚠ Take special care when attaching and fastening down the apparatus. The clamping system must be able to support at least 4 times the weight of the entire equipment, including P&T, lenses and camera.**

**⚠ The device should be assembled vertically. Any other position could impair the performance of the appliance.**

**⚠ Do not attach the device upside down.**

### 6.5.2 Cables management

**⚠ The connection cables should not be accessible from the outside. It is necessary to fasten the cables securely to the support in order to prevent excessive weight pulling them out accidentally.**

**⚠ You must use cables suited to the type of installation.**

Insert the cables into the support so that they protrude by about 50cm.

For further information refer to the relative chapter ( 8.2 Connecting the Pan & Tilt to the system, page 23).

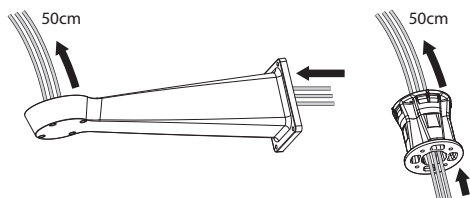


Fig. 5

### 6.5.3 Pre-configuration of third party cameras

**i The system can be interfaced to a VMS (Video Management System) in two different ways: (8.3.1 Description of the Master Selection mode, page 25). If you want to use the PTZ Master mode, you must configure the camera before installing it in the housing.**

The camera must be pre-configured to acquire an IP address via DHCP.

The camera must be pre-configured to interface with the NTP server via DHCP. If the NTP via DHCP configuration of the camera is not possible, configure the following static address of the NTP server: 192.0.0.1.

The camera must be pre-configured to communicate with the Pan & Tilt via the ONVIF S Profile protocol. Carefully choose your login and password as they will be used to access the web configuration and pair the device with the VMS.

The password can only contain the following characters (a-z, A-Z, 0-9, ,\_-+@%/(-)^\*[]{}#;~).

Some cameras may not support the aforementioned set of characters.

If the camera has an integrated lens, you need to remove all the camera presets before installing on the Pan & Tilt.

## 7 Assembly

### 7.1 Cameras features

- Only cameras with a 100 baseTx type Ethernet communication port can be mounted.
- Only cameras powered by a terminal can be mounted. The Pan & Tilt cannot supply power directly on the Ethernet cable (Power over Ethernet).
- The power supply voltage of the camera must be 12Vdc.
- The maximum current absorbed by the camera must be lower than the value indicated below: 1.5A.

### 7.2 Fixing the sunshield

Fix the sunshield to the housing using the screws and washers screwed into the upper body of the housing.

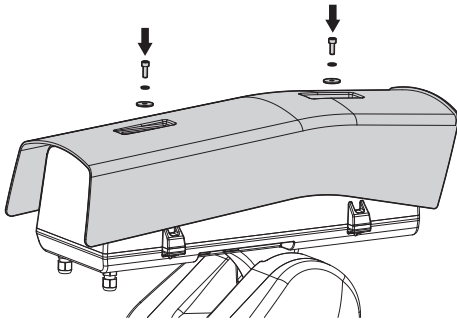


Fig. 6

It is recommended to fix the cover as far forward as possible to protect against sun reflection and water droplets.

### 7.3 Assembling the camera and motorised lenses

The customer has to take care of assembling the camera and lenses.

#### 7.3.1 How to open the housing

Loosen the 2 screws on the side, turn the cover and the upper half of the body about the opening hinge axis.

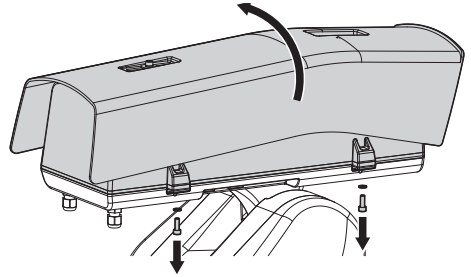


Fig. 7



**DANGER!**

**Mechanical hazard.**

**Risk of crushing or shearing.**

### 7.3.2 How to install the camera

The camera and lenses are to be installed inside the housing using the appropriate slider (use the screws and washers provided). The slider is composed of two parts, the main slider (01) and the camera slider (02).

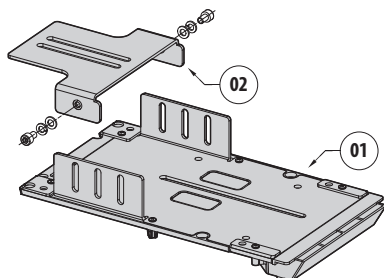


Fig. 8

Assemble the lens and the camera. If the lens is type C and the camera is type CS, it is necessary to use a spacer.

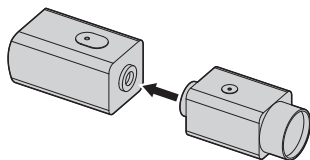


Fig. 9

Tighten the 1/4" camera screw partially so as to allow the adjustment of the camera slider. The camera slider can be mounted in different positions. Depending on the camera slider position, use one of the two slots to fix the camera. For optimum hold use the flat and lock washers.

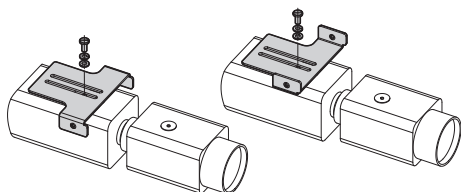


Fig. 10

Depending on the shape or size of the lens, it may be necessary to use a spacer. Align the hole on the spacer with the hole in the lens.

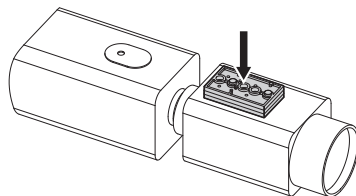


Fig. 11

Loosen the screws to remove the main slider from the housing body.

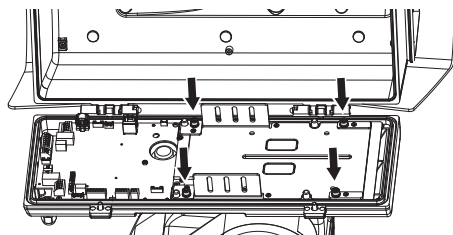


Fig. 12

On the main slider, position the camera, the lens and the slider of the previously assembled camera. Partially tighten the 1/4" lens screw, so it can be adjusted on the main slider. For optimum hold use the flat and lock washers.

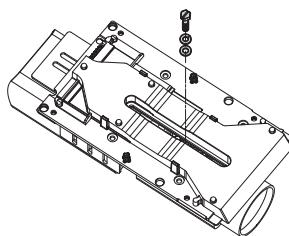


Fig. 13

Align the lens edge with the edge of the slider.

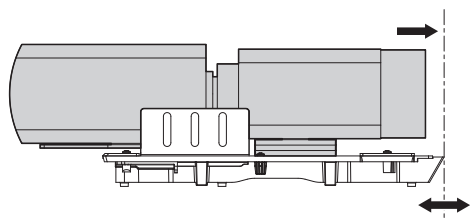


Fig. 14

Once the edges are aligned, without moving the camera and lens unit, move the camera slider in line with one of the 3 slots on the main slider.

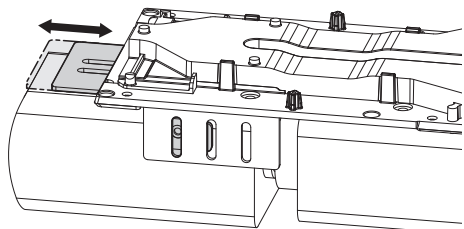


Fig. 15

On reaching the optimum position, remove the main slide (taking care not to lose the position) and fasten in place using the 1/4" screw.

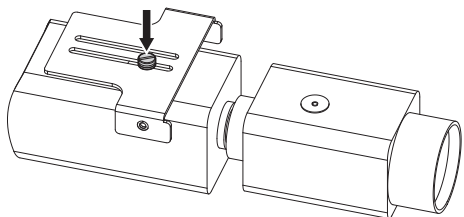


Fig. 16

Re-position the main slider on the camera/lens/slider unit. Align the camera slider hole with the previously selected main slider slot (01). Partially screw in the camera slider screws (screws and washers supplied). For optimum hold use the flat and lock washers. Tighten the 1/4" lens screw (02).

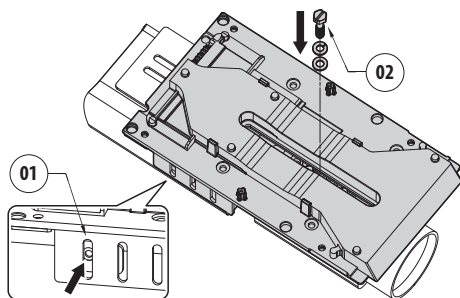


Fig. 17

Fully screw in the camera slider screws.

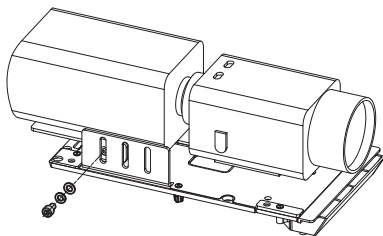


Fig. 18



**Pay attention to the fixing. Tightening torque: 2.1Nm.**



Place the camera in the housing and fasten in place using the screws and washers.

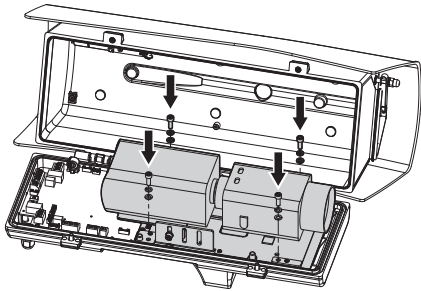


Fig. 19

**⚠ Pay attention to the fixing. Tightening torque: 2.1Nm.**

## 7.4 Connection of the camera and motorised lens

**⚠ Before making the connections make sure that the voltages supplied by the board fall within the limits allowed for the apparatus.**

The electronics board is designed to control cameras with motorised lenses, which may or may not have potentiometers to control the position reached.

## 7.4.1 Housing board description

| BOARD DESCRIPTION |   |
|-------------------|---|
| Component         | Function  |
| J4                | Not used  |
| J5                | RS-485 (lens)   |
| J6                | Reading the lens potentiometers                                       |
| J7                | Lens motor power supply, One Push AF                                  |
| J8                | Lens motor power supply, One Push AF, reading the lens potentiometers |
| J9                | Visible cut filter  |
| J10               | Power supply and control (integrated camera)                          |
| J11               | Power supply and control (Slave illuminator)                          |
| J12               | Card diagnostics  |
| J13               | RS-485 (camera)   |
| J14               | Camera power supply, camera input alarm, camera output alarm          |
| J15               | Power supply and control (Master illuminator)                         |
| J16               | Heated glass  |
| J17               | Wiper   |
| J18               | Ethernet  |
| DIP2              | Lens voltage  |
| DIP3              | Housing configuration   |
| LD7               | Internal power supply status (5V)                                     |
| LD8               | Internal power supply status (3,3V)                                   |
| LD9               | Firmware status   |
| LD10              | Camera power status   |
| LD11              | Internal power supply status (12V)                                    |
| LD12              | PoE power supply status   |

Tab. 1

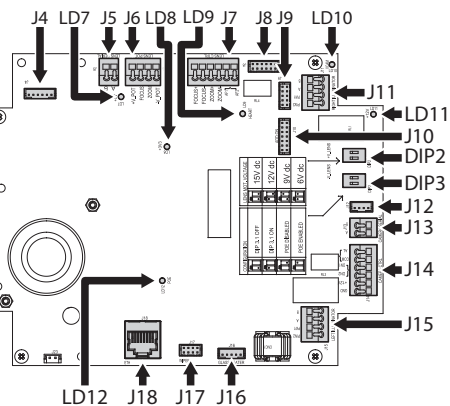


Fig. 20

### 7.4.2 Maximum nominal values of the camera and motorised lens

The maximum nominal values are shown in the following table.

| MAXIMUM NOMINAL VALUES OF THE CAMERA AND MOTORISED LENS |                        |                                 |
|---|------------------------|---------------------------------|
| Voltage   | Current                | Description                     |
| +12V  | 1500mA max             | Camera power supply             |
| +5V   | 15mA max               | Lens potentiometer power supply |
| from 6Vdc to 15Vdc (adjustable)                         | 200mA max (Focus+Zoom) | Lens motor power supply         |

Tab. 2

### 7.4.3 Network camera connection

Connect the power supply, the data line and the camera alarms (optional) as shown in the diagram. If the Pan & Tilt is controlled in Camera Master mode, connect the RS-485 control serial line (8.3 Selecting the unit operating mode, page 25).

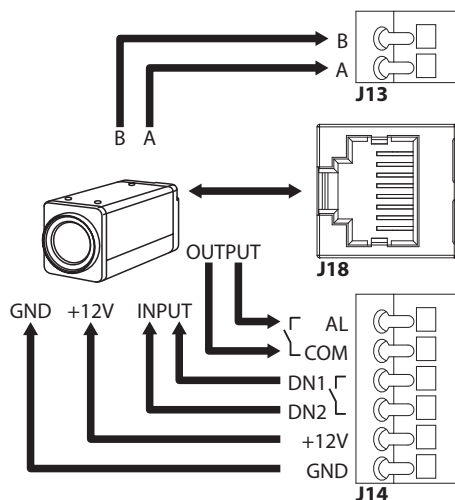


Fig. 21

The LD10 LED ON indicates that the camera power supply terminal has a voltage of 12Vdc.

The system detects the ambient temperature in the switch on phase. The system does not allow the camera to switch on until it reaches the minimum operating temperature (cold start).

When the illuminators are switched on, the DN1 and DN2 terminals are used to force the camera to work in Night mode.

In Camera Master mode the AL and COM terminals are used to transmit the camera alarm status to the relay on the Pan & Tilt base (RL1A, RL1B, 8.2.3.2 Connection of the alarm inputs, of the twilight switch and of the relays, page 24).



**Gather the excess cable to avoid it interfering with the wiper operation (in the versions in which they are available).**

## 7.4.4 Connecting the controlled motorised lenses when powered

All configuration options must be set in the relevant chapter (10.3.2 Hardware Configuration Page, page 33).

### 7.4.4.1 Connecting the lenses with reverse polarity motors

If the lens motors have reverse polarity, use the following connection diagram.

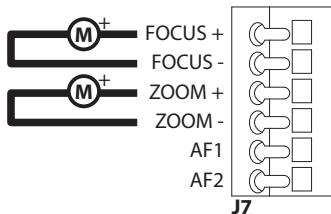


Fig. 22

### 7.4.4.2 Connecting lenses with common wiring motors

If the lens motors are the common wiring type, use the following connection diagram.

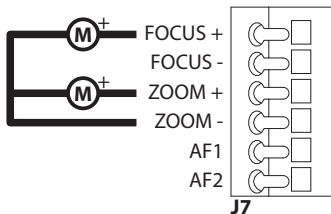


Fig. 23

### 7.4.4.3 Adjustment of the supply voltage of the lens motors

Before switching the Pan & Tilt on, select the lens power supply voltage using the lens voltage DIP switches (DIP2, 7.4.1 Housing board description, page 17).

| ADJUSTMENT OF THE SUPPLY VOLTAGE OF THE LENS MOTORS |     |         |
|---|-----|---------|
| SW1   | SW2 | Voltage |
| OFF   | OFF | 15Vdc   |
| ON  | OFF | 12Vdc   |
| OFF   | ON  | 9Vdc    |
| ON  | ON  | 6Vdc    |

Tab. 3

### 7.4.4.4 Connecting the potentiometers

Make the connections as shown in figure.

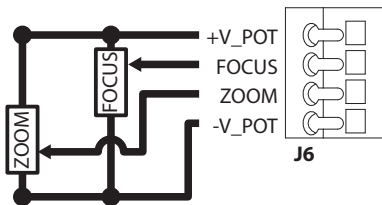


Fig. 24

### 7.4.4.5 One Push Autofocus

Some types of motorised lenses are able to command the autofocus.

Make the connections as shown in figure.

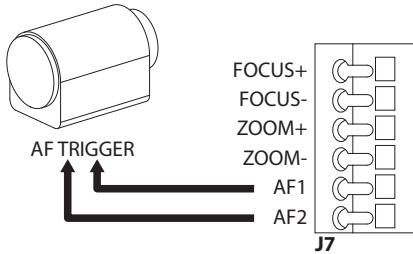


Fig. 25

### 7.4.5 Connecting the motorised lenses controlled via serial line

Certain types of motorised lenses can be controlled via an RS-485 serial line.

Make the connections as shown in figure.

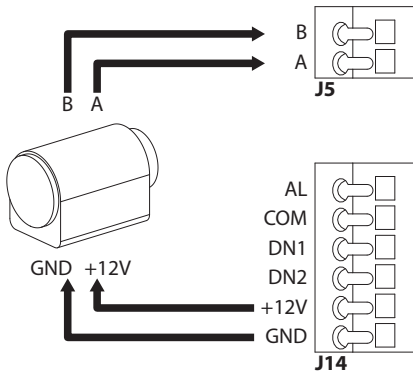


Fig. 26

### 7.4.6 Installation of the visible camera module (optional)

Disassemble the slider in the housing and secure it to the camera module. Use the screws and washers provided.

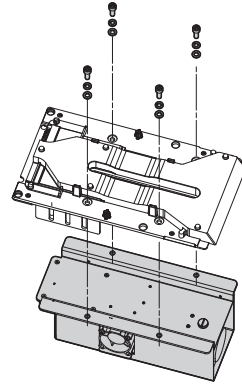


Fig. 27

Place the slider in the case and secure it with screws previously removed.

There are two connectors on the housing card that allow you to power and communicate with the camera (J10, J18, 7.4.1 Housing board description, page 17). Connect the camera with the 2 cables supplied.

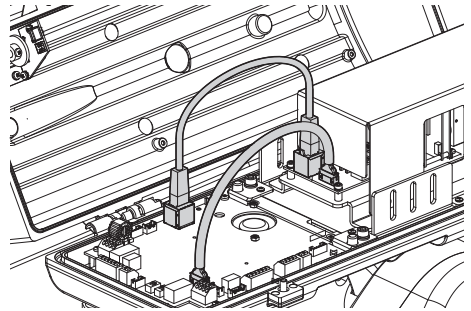


Fig. 28

Configure the camera type (CAMHD30X, 10.3.2 Hardware Configuration Page, page 33).

### 7.4.7 Installation of the upper body of the housing with anti-icing heated glass and wiper (optional)

Unplug the wiper power cable. Remove the upper body of the housing by loosening the screws. Slightly rotate the upper part of the housing for easier removal of the hinge screws.

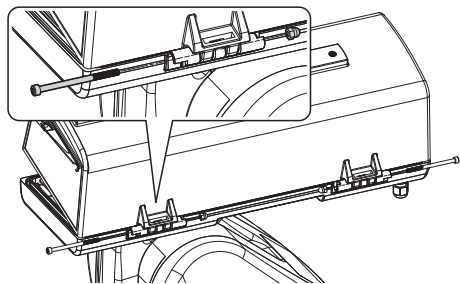


Fig. 29

Fit the new upper body in place using the screws previously removed.

**! Pay attention to the fixing. Tightening torque: 1.2Nm.**

There are two connectors on the housing card that allow you to power the heated glass and the wiper (J16, J17, 7.4.1 Housing board description, page 17). Connect the 2 wires on the upper body of the housing with the 2 connectors on the housing card.

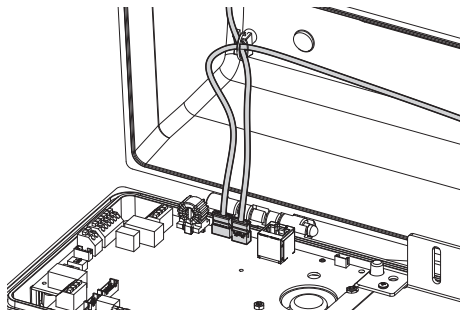


Fig. 30

Enable the heated glass management (10.3.2 Hardware Configuration Page, page 33).

### 7.4.8 Closing the housing

After installation and wiring, close the product again. Check that the gasket of the housing is present and in good condition.

**! Pay attention to the fixing. Tightening torque: 6Nm.**

## 8 Installation

**! Never, under any circumstances, make any changes or connections that are not shown in this handbook. Failure to follow the connection instructions that are given in the handbook may create serious safety hazards for people and for the installation.**

**! Do not change the wiring in the product as it is supplied to you. Failure to follow this instruction may create serious safety hazards for people and for the installation, and will also invalidate the guarantee.**

### 8.1 Fixing the base to the support

Remove the base from the unit.

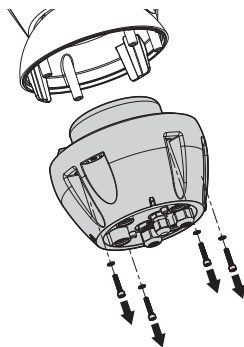


Fig. 31

Open the hatch by undoing the screws as shown in figure.

Insert the cables into the cable glands holding the base at about 20cm from the support.

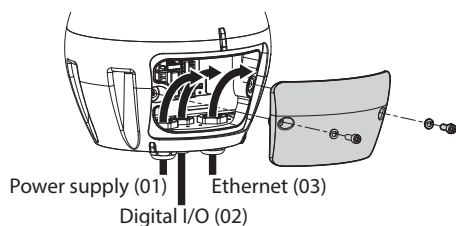


Fig. 32

Use power cables (01) and Ethernet network cables (03) with a diameter of between 5mm and 13mm. If the Ethernet cable is already fitted with a connector, it is necessary to use the special seal provided.

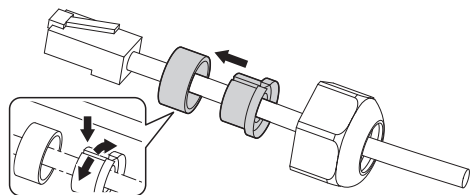


Fig. 33

**Pay attention to the fixing. Tightening torque: 2.7Nm.**

Use a digital I/O cable (02) with a diameter of between 5mm and 10mm (for diameters between 3mm and 7mm use the special seal).

**Pay attention to the fixing. Tightening torque: 2Nm.**

Once you have positioned the gasket (01), fix the base (02) onto the bracket (03) with screws (04), serrated washers (05) and screw rings (06).

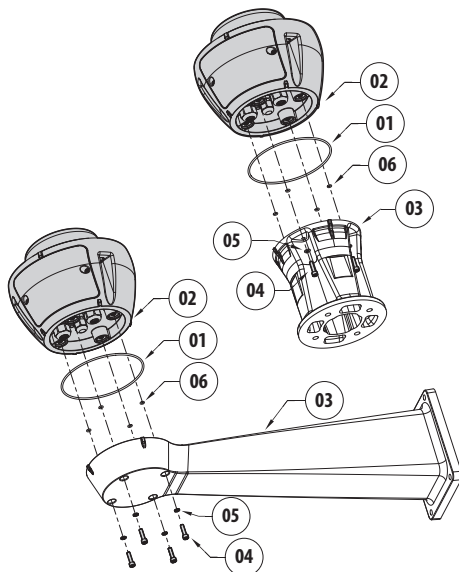


Fig. 34

**Use the screws and washers provided with the support.**

**Apply a thread-locker on the holes of the screws (Loctite 243®).**

**Pay attention to the fixing. Tightening torque: 6Nm.**

## 8.2 Connecting the Pan & Tilt to the system

### 8.2.1 Connector board description

| BOARD DESCRIPTION |  |
|-------------------|--|
| Components        | Function   |
| J1                | Power supply line  |
| J2                | Ethernet   |
| J3                | Digital I/O  |
| DIP1              | Selecting Master mode, restoring factory default settings            |
| F1                | Power line fuse  |
| F2                | Pan & Tilt electronic power supply fuse                              |
| F3                | Illuminator power supply fuse  |
| LD1, LD3          | Ethernet line status (link and activity)                             |
| LD2               | Firmware status  |
| LD4, LD5          | Status of the communication line with the camera (link and activity) |
| LD6               | Power status   |

Tab. 4

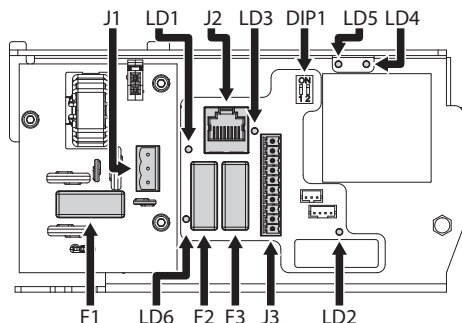


Fig. 35

### 8.2.2 Connection of the power supply line

Depending on the version, the device can be provided with different power supply voltages. The power supply voltage is indicated on the product identification label. (4.3 Product marking, page 11).



**Electrical connections must be performed with the power supply disconnected and the circuit-breaker open.**



**When commencing installation make sure that the specifications for the power supply for the installation correspond with those required by the device.**



**Check that the power supply socket and cable are adequately dimensioned.**



**Earth cable should be about 10mm longer than the other two, so that it will not be disconnected accidentally if pulled.**

Cut the cables to the correct length and make the connections. Connect the power supply to the connector.

The power supply cable must be covered by the silicone sheath (01) supplied. The silicone sheath must be fastened with the corresponding cable tie (02).

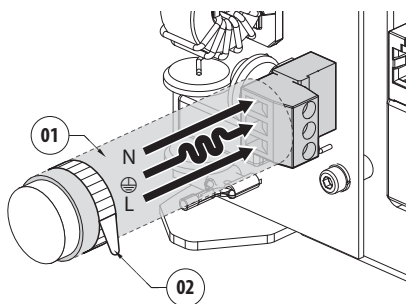


Fig. 36

Perform the connections following the instructions reported in the table .

| CONNECTION OF THE POWER SUPPLY LINE |             |
|-------------------------------------|-------------|
| Colour                              | Terminal    |
| <b>Power supply 230Vac</b>          |             |
| Blue                                | N (Neutral) |
| Yellow/Green                        | ⊕           |
| Brown                               | L (Phase)   |
| <b>Power supply 120Vac</b>          |             |
| Blue                                | N (Neutral) |
| Yellow/Green                        | ⊕           |
| Brown                               | L (Phase)   |
| <b>Power supply 24Vac</b>           |             |
| Defined by the installer            | N (Neutral) |
| Yellow/Green                        | ⊕           |
| Defined by the installer            | L (Phase)   |

Tab. 5

The removable connector is supplied in the kit.

### 8.2.3 Signal cable connection

**⚠ All signal cables must be grouped together by means of a cable tie.**

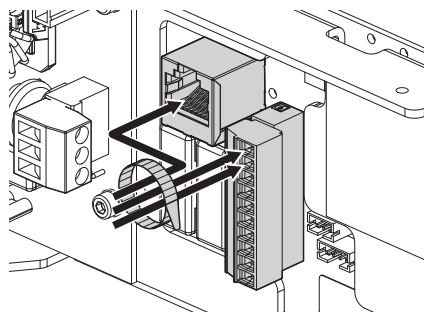


Fig. 37

#### 8.2.3.1 Connection of the Ethernet cable

Use of Ethernet cables with the following characteristics is highly recommended: STP (shielded), Category 5E (or higher).

Connect the ethernet cable to the relative connector (J2, 8.2.1 Connector board description, page 23).

#### 8.2.3.2 Connection of the alarm inputs, of the twilight switch and of the relays

The maximum cable length for each alarm is 200m. Use shielded cables.

Connect the digital I/O cable to the relative connector (J3, 8.2.1 Connector board description, page 23).

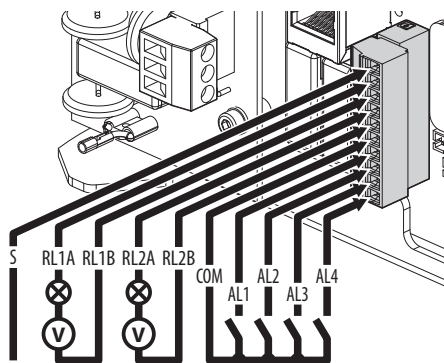


Fig. 38

| CONNECTION OF THE ALARM INPUTS, OF THE TWILIGHT SWITCH AND OF THE RELAYS |   |
|--|---|
| Terminals  | Description   |
| S  | Shielded cable sleeve   |
| RL1A, RL1B, RL2A, RL2B   | Clean output contacts, can be activated by alarm or by user control |
| AL1, AL2, AL3, AL4 e COM   | Self-powered alarm inputs referred to the shared terminal           |

Tab. 6

The device can be equipped with an external dusk switch. Based on the detected light, the dusk switch allows the automatic activation of Night mode. Connect the dusk switch to the input of a specified alarm: AL4. For the configuration of the Night mode, please refer to the relevant chapter (10.3.17 Night Mode Page, page 44).

The device can be equipped with a washing system as an accessory (11.1 Washer, page 50). Connect the pump activation signal cable to the indicated relay: RL2A, RL2B.



## 8.3 Selecting the unit operating mode

There is a DIP switch inside the base that allows you to configure the Master Selection mode and Factory default mode (DIP1, 8.2.1 Connector board description, page 23).

| SELECTING THE UNIT OPERATING MODE (DIP1) |      |      |               |
|--|------|------|---------------|
| Function                                 | SW 1 | SW 2 | Description   |
| Master Selection                         | ON   | -    | PTZ Master    |
|  | OFF  | -    | Camera Master |
| Factory Default                          | -    | ON   | Enabled       |
|  | -    | OFF  | Disabled      |

**Tab. 7**

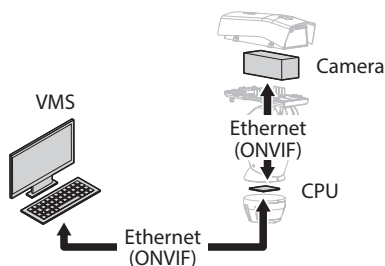
To configure the Master Selection function, refer to the relevant chapter (8.3.1 Description of the Master Selection mode, page 25).

To configure the Factory Default function, refer to the relevant chapter (8.3.2 Description of the Factory Default procedure, page 26).

### 8.3.1 Description of the Master Selection mode

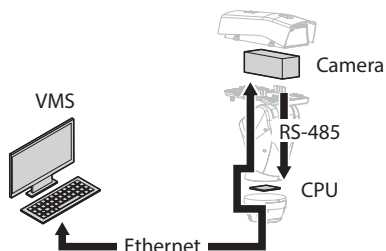
The system can be interfaced to a VMS (Video Management System) in two different ways:

**PTZ Master:** VMS always interacts with the Pan & Tilt CPU via the ONVIF protocol. With this configuration the camera is controlled by the Pan & Tilt CPU via the ONVIF protocol.



**Fig. 39**

**Camera Master:** VMS always interacts with the camera via the driver specified. With this configuration, the camera controls the Pan & Tilt via the RS-485 serial line.



**Fig. 40**

Pan & Tilt can be configured via the web page. The default credentials to access the device are: Username: admin, Password: admin. With this configuration the ONVIF protocol on the Pan & Tilt Ethernet port is not enabled.

#### List of serial commands:

- PTZ movement
- Saving, recalling and erasing Preset
- AUX-3-ON/OFF: Wiper ON/OFF
- AUX-4-ON: Washer
- AUX-5-ON/OFF: Day/Night Mode
- AUX-6-ON/OFF: Relay 1 ON/OFF
- AUX-7-ON/OFF: Relay 2 ON/OFF
- RUN-PATTERN 0: Patrol
- RUN-PATTERN 1: Autopan

### 8.3.2 Description of the Factory Default procedure

If the access password is no longer available, follow the procedure to reset to default factory settings.

- Switch off the unit.
- Open the connector housing cover.
- Locate the DIP-switch 1. Turn switch 2 ON.
- Close the connector housing cover.
- Power the unit.
- Wait 60 seconds.
- Switch off the unit.
- Open the connector housing cover.
- Turn switch 2 OFF.
- Close the connector housing cover.
- Power the unit.

If the camera installed is a third party brand, you will need also to run the Factory Default procedure specified by the camera manufacturer.

### 8.4 Closing the connector housing cover

Replace the connector cover being careful not to crush the cables when closing.

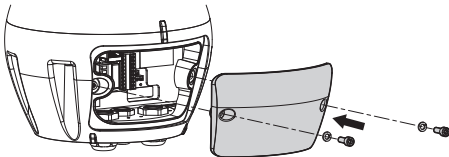


Fig. 41



**Pay attention to the fixing. Tightening torque: 6Nm.**

### 8.5 Installing the memory card

It is possible to equip the unit with a micro SD memory card. The memory card can be used to backup all the configurations and system logs for easier maintenance or replacement in case of malfunction. For further information refer to the relative chapter (10.3.22 Tools Page, page 49).

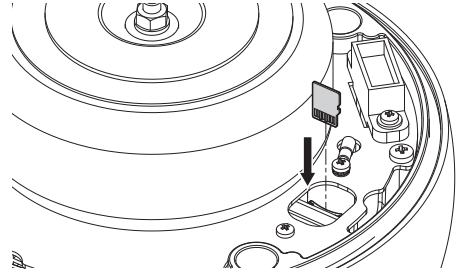


Fig. 42

The system is able to handle micro SDs of up to 4GB.

Tested memory cards:

- Panasonic RP-SMKC04DE1 (4GB, -40/+85°C)
- Swissbit SFSD2048N1BW1MT-I-ME-111-STD (2GB, -40/+85°C)

## 8.6 Fixing the upper body

Place the unit body on the base aligning the reference marks. Insert the unit body anti-tipping columns in the holes on the base. Be especially careful not to damage internal components during installation.

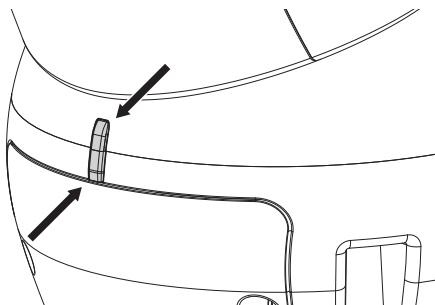


Fig. 43

Fasten the upper body to the base using the fixing screws. Check that a base gasket is present and in good condition.

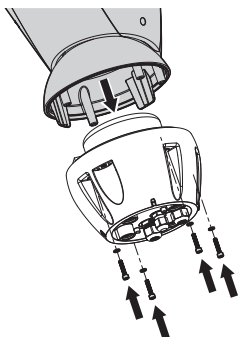



Fig. 44

 **Pay attention to the fixing. Tightening torque: 6Nm.**

## 8.7 LED illuminators installation (optional features)

 **To work properly both illuminators must be installed together.**

 **From Pan & Tilt, it is only possible to install VIDEOTEC illuminators.**

### 8.7.1 Fitting the bracket

Position the bracket (01) on the bottom of the housing as shown in figure. Install the screws and the washers (02) in the holes (03) and tighten them.

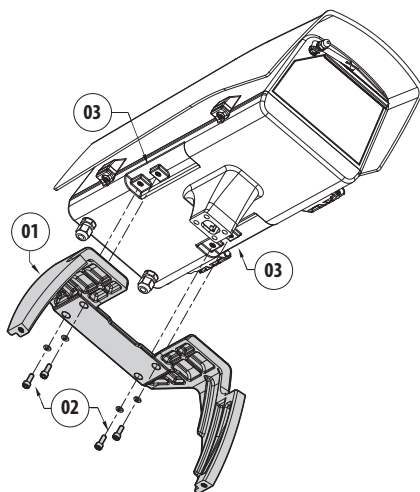



Fig. 45

 **Pay attention to the fixing. Tightening torque: 6Nm.**

## 8.7.2 Fitting the illuminator on the bracket

Place the fixings of the illuminator (01) on those of the bracket (02).

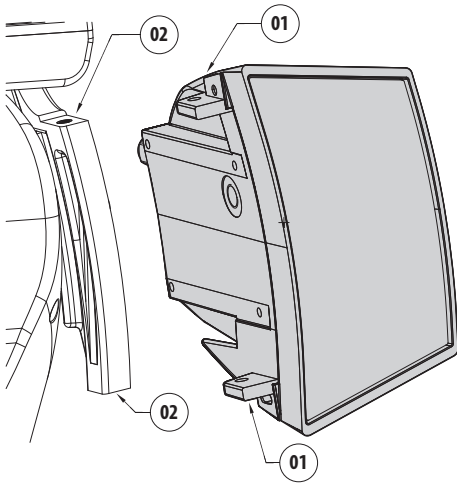


Fig. 46

Align the illuminators to the camera, to disperse as little light as possible.

Screw in the screws and washers supplied with the illuminator.

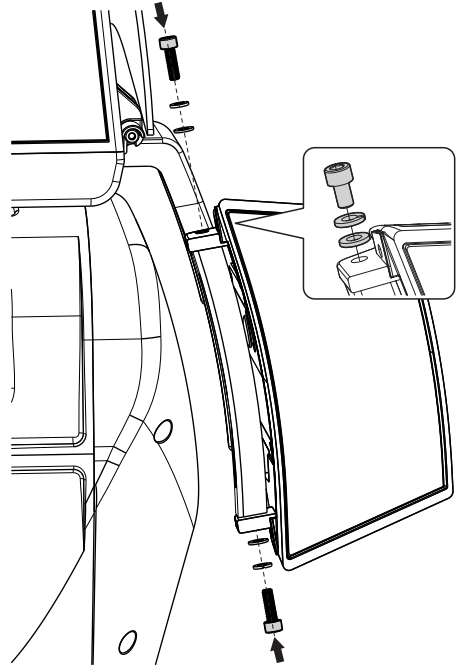


Fig. 47



**Pay attention to the fixing. Tightening torque: 6Nm.**

## 8.8 Connection of the LED illuminators

Open the housing as described in the relative chapter (7.3.1 How to open the housing, page 14).

Insert the power supply cables through the cable glands by at least 10 cm. Tighten the cable glands.

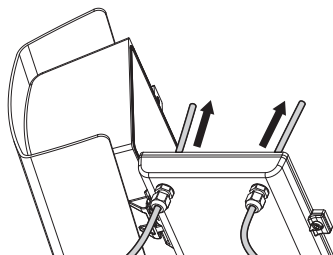


Fig. 48

**!** To ensure the safety and the correct operation of the unit do not leave a surplus of the cable externally.

**!** Pay attention to the fixing. Tightening torque: 2Nm.

There are two connectors on the housing card used to control the illuminators (J11, J15, 7.4.1 Housing board description, page 17).

Connect the cables as described in the table.

| CONNECTION OF THE LED ILLUMINATORS |             |                         |             |
|------------------------------------|-------------|-------------------------|-------------|
| Master illuminator (J15)           |             | Slave illuminator (J11) |             |
| Reference on the board             | Cable color | Reference on the board  | Cable color |
| PW2                                | White       | PW2                     | White       |
| PW1                                | Black       | PW1                     | Black       |
| A                                  | Green       | A                       | Green       |
| B                                  | Red         | B                       | Red         |

Tab. 8

Close the housing as described in the relevant chapter (7.4.8 Closing the housing, page 21).

## 8.9 LED illuminator activation and adjustment instructions

Once the adjustment has been completed, the Master illuminator will synchronise and control the Slave illuminator.

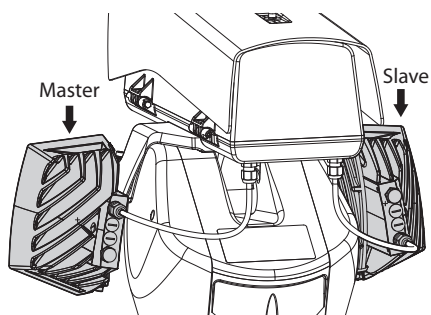


Fig. 49

The dusk switch detects the room light and controls the activation and deactivation of the illuminators when brightness reaches the level set by the user.

When the LED illuminators are active the camera goes to night mode with the special ONVIF control.

If the camera does not manage the ONVIF command to switch to night mode, synchronisation can still be performed via the relative relay (DN1, DN2, 7.4.3 Network camera connection, page 18).

## 8.9.1 LED illuminator switching on threshold adjustment

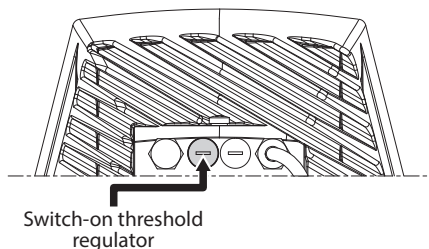


Fig. 50

The illuminator has an integrated twilight sensor that allows its automatic activation and deactivation at predefined luminous conditions.

The twilight sensor is set in the factory at a predetermined luminous level, suitable for most installations (approximately 50lx). If you want to adjust in different ways the threshold, loosen the plug on the illuminator rear and proceed for the adjustment with a screwdriver.

By rotating the trimmer clockwise, the night mode changeover is anticipated (at a greater luminous value). By rotating the trimmer anti-clockwise, the night mode changeover is delayed (at a lower luminous value).

Wait for appropriate brightness before switching on the illuminator. Rotate the trimmer slowly until the LED on the side of the trimmer switches on. Once the intervention threshold has been surpassed (LED on), rotate it slightly in the opposite direction.

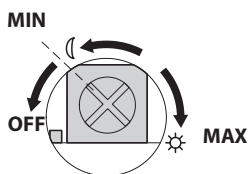


Fig. 51

**⚠ After making the adjustments make sure that the plug is closed tight to ensure perfect sealing.**

## 8.9.2 LED illuminator power adjustment

The illuminator is set in the factory to provide maximum power. If you don't need to illuminate distant subjects or if the image is over-exposed for excessive brightness, decrease the power, so that energy saving is also obtained.

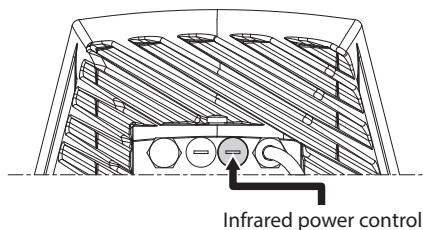


Fig. 52

Loosen the hermetic plug. Rotate the trimmer, clockwise to increase the power of the infrared illuminators and anti-clockwise to decrease it.



Fig. 53

**⚠ After making the adjustments make sure that the plug is closed tight to ensure perfect sealing.**

### 8.9.3 Activation of the LED illuminator via an external dusk switch

The LED illuminators are activated by an external dusk sensor connected to an alarm input.

Perform the following operations:

- Connect the dusk switch to the signal cable connector (AL4, COM, 8.2.3.2 Connection of the alarm inputs, of the twilight switch and of the relays, page 24).
- Adjust the Master illuminator settings:
  - **Lighting threshold:** Set the value to OFF.
  - **Power supplied:** Set the value as needed.
- Adjust the Slave illuminator settings:
  - **Lighting threshold:** Set the value to OFF.
  - **Power supplied:** Set the value as needed.
- Set the Brightness Sensor on: EXTERNAL (10.3.17 Night Mode Page, page 44).

### 8.9.4 Activation of the LED illuminator via the integrated dusk sensor

The LED illuminators are equipped with an internal dusk sensor.

With this activation mode, it is not possible to force the Night mode or control the Slave illuminator.

Perform the following operations:

- Adjust the Master illuminator settings:
  - **Lighting threshold:** Set the value as needed.
  - **Power supplied:** Set the value as needed (from 50% to 100%).
- Adjust the Slave illuminator settings:
  - **Lighting threshold:** Set the value to the maximum.
  - **Power supplied:** Set the value to the minimum.
- Set the Brightness Sensor on: ILLUMINATORS (10.3.17 Night Mode Page, page 44).

### 8.9.5 Activation of the LED illuminators via the camera

The LED illuminators are activated according to the detection of the brightness of the scene the camera is focused on. This operation mode is only possible if the unit is equipped with a built-in camera (11.6 Visible camera module, page 51).

Perform the following operations:

- Adjust the Master illuminator settings:
  - **Lighting threshold:** Set the value to OFF.
  - **Power supplied:** Set the value as needed.
- Adjust the Slave illuminator settings:
  - **Lighting threshold:** Set the value to OFF.
  - **Power supplied:** Set the value as needed.
- Set the Brightness Sensor on: CAMERA (10.3.17 Night Mode Page, page 44).

### 8.9.6 Manually activate the LED illuminators

The LED illuminators are activated via a web page or ONVIF command.

Perform the following operations:

- Adjust the Master illuminator settings:
  - **Lighting threshold:** Set the value to OFF.
  - **Power supplied:** Set the value as needed.
- Adjust the Slave illuminator settings:
  - **Lighting threshold:** Set the value to OFF.
  - **Power supplied:** Set the value as needed.
- Set the Brightness Sensor on: NONE (10.3.17 Night Mode Page, page 44).

## 9 Switching on



**Make sure that the unit and other components of the installation are closed so that it is impossible to come into contact with live parts.**



**During normal operation the surface of the illuminator can reach high temperatures. Do not allow direct contact and position the appliance where it is inaccessible to unauthorised persons. Before touching switch off the illuminator and allow to cool for a minimum period of 10 minutes.**



**Do not stay in the vicinity of the device when it is powered. Act on the device only in the absence of a power supply.**



**Make sure that all parts are fastened down firmly and safely.**



**The automatic pre-heating (De-Ice) process could be started whenever the device is switched on and the air temperature is below 0°C. This process is used to ensure that the device works properly even at low temperatures. The duration ranges depending on environmental conditions (from 60 minutes up to 120 minutes).**

The unit is switched on by connecting the power supply.

To switch off the unit disconnect the power.

## 10 Configuration

### 10.1 Default IP address



**The unit is configured to obtain an IP address from a DHCP server.**

The IP address acquired via DHCP is visible in the DHCP server log file.

If the DHCP server is not available, the unit automatically configures itself with a self-generated IP address in the 169.254.0.0/16 subnet. Configuring the IP address of the PC as belonging to the same subnet (example: IP address: 169.254.1.1, subnet mask: 255.255.0.0). If auto-allocation fails, the system automatically sets the address <http://192.168.0.100>.

Use an ONVIF compatible VMS, the ONVIF Device Manager application or a network sniffer to find the IP address of the device (IP scan utility).

### 10.2 Identification of the MAC address

The device MAC address is found on the label located inside the cover of the base connectors, as seen in the diagram.

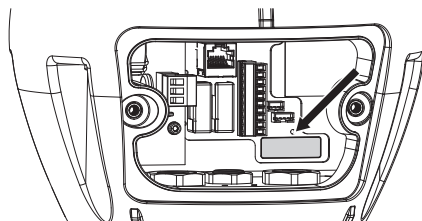


Fig. 54



## 10.3 Web interface

**i** **Browsers supported: Microsoft Internet Explorer, Google Chrome, Mozilla Firefox.**

### 10.3.1 First access to the web pages

The first operation in configuring the device consists in connecting to the web interface.

To access the web interface of the product, simply use a browser to connect to `http://ip_address`.

To operate correctly, the Pan & Tilt must be configured according to the camera and accessories installed.

**i** **The product, with the self-generated IP address, cannot transmit video streaming. Ensure the DHCP server is reachable or, if necessary, set an IP address not belonging to the class "Link Local, 169.254.x.x/16" (10.3.6 Network Page, page 39).**

On first access the hardware configuration page described below will pop up on the screen.

### 10.3.2 Hardware Configuration Page

The Hardware Configuration menu can be used to configure the unit hardware.

Some fields are displayed dynamically, depending on the system configuration.

- **Camera Type:** The camera communication mode (only for PTZ Master mode).
- **Type:** Type of communication towards the camera.
  - **NONE:** The system powers the camera after the de-icing (the system does not check if the camera responds to the ping).
  - **ONVIF CAMERA:** The system is configured to communicate with the ONVIF S profile camera. The access credentials to Pan & Tilt will be the same as the user name and password specified to communicate with the camera. Enter the user name and password to communicate with the third party camera. (6.5.3 Pre-configuration of third party cameras, page 13). The system powers the camera after de-icing, checking if this responds to the ping and the ONVIF protocol.
  - **CAMHD30X:** The system is configured to communicate with the integrated camera (1.6 Visible camera module, page 51). The default credentials to access the device are: Username: admin, Password: admin.

- **Serial Port:** Communication type to control the device.
- **Protocol:** Communication protocol.
- **ACK Sending:** Enables sending ACK on each command received.
- **Baudrate:** Sets the communication speed.
- **Serial Type:** Serial line type through which the product receives the commands.
- **Bit data:** Number of bits for each data package.
- **Parity Check:** Data consistency control mode.
- **Stop Bits:** Number of stop bits for each data package.
- **Lens Characteristics:** Installed lens characteristics.
  - **Lens:** Type of lens installed.
    - **NONE:** No lens installed.
    - **FIXED:** Lens with zoom and fixed focus.
    - **INTEGRATED:** Lens controlled by the camera.
    - **INDEPENDENT MOTORISATION:** Lens with reverse polarity motor.
    - **MOTORISATION BY COMMON WIRING:** Lens with a common wiring motor.
    - **MOTORISATION BY 485:** Lens controlled via serial RS 485.
  - **Model:** Selects 485 lens model.
  - **Protocol:** Selects the protocol to use to communicate with the lens.
- **Baudrate:** Selects the Baudrate to use to communicate with the lens.
- **Serial Type:** Selects the communication mode with the lens.
- **ACK Sending:** Enables ACK waiting time on each message sent to the lens.
- **Presets:** Specifies the maximum number of Presets the lens can manage.
- **Zoom Factor:** Number of magnifications that can be reached by the lens.
- **Zoom Rotation Polarity:** Reverses the lens rotation during Zoom activity.
- **Focus Rotation Polarity:** Reverses the lens rotation Focus activity.
- **Lens with Potentiometers:** Presence of potentiometers to detect the Zoom and Focus positions.
- **One-push Autofocus Trigger:** Determines the type of event that activates autofocus.
  - **MANUAL:** Activation only takes place on the web page or ONVIF command.
  - **PTZ MOVEMENT+MANUAL:** Activation at the end of PAN-TILT or ZOOM movement, or from the web page or the ONVIF command.
  - **DISABLED:** Function disabled.
- **One-push Autofokus Duration:** Sets how long autofocus stays on.
- **One-push Autofocus Polarity:** Selects the default status of the autofocus relay.

- **Accessories:** Presence or absence of accessories installed on the device.
- **Wiper:** Enables wiper operations.
- **Illuminators:** Enables illuminator operations. (11.3 LED illuminators, page 50).
- **Heated Glass:** Enables the heated glass operations. (11.7 Anti-icing heated glass, page 51).
- **Wash System:** Enables the wash system operations. (11.1 Washer, page 50).

**Camera Type**

Type: ONVIF CAMERA

Username: admin

Password: \*\*\*\*

Confirm Password: \*\*\*\*

**Lens Characteristics**

Lens: MOTORISATION BY 485

Model: GENERIC

Protocol: PELCO D

Baudrate: 9600

Serial Type: BIDIRECTIONAL RS485

ACK Sending: DISABLED

Preset: 250

Zoom Factor: 1

One-push Autofocus Trigger: PTZ MOVEMENT + MANUAL

One-push Autofocus Duration (ms): 500

One-push Autofocus Polarity: NORMALLY OPEN

**Accessories**

Wiper: PRESENT

Illuminators: PRESENT

Heated Glass: NOT PRESENT

Wash System: PRESENT

**Fig. 55** PTZ Master.

**Serial Port**

Protocol: PELCO D

ACK Sending: DISABLED

Baudrate: 2400

Serial Type: RS485

Data Bits: 8

Parity Check: NONE

Stop Bits: 1

**Lens Characteristics**

Lens: MOTORISATION BY 485

Model: GENERIC

Protocol: PELCO D

Baudrate: 2400

Serial Type: BIDIRECTIONAL RS485

ACK Sending: DISABLED

Preset: 1

Zoom Factor: 10

One-push Autofocus Trigger: PTZ MOVEMENT + MANUAL

One-push Autofocus Duration (ms): 500

One-push Autofocus Polarity: NORMALLY OPEN

**Accessories**

Wiper: PRESENT

Illuminators: PRESENT

Heated Glass: NOT PRESENT

Wash System: PRESENT

**Fig. 56** Camera Master.

### 10.3.3 Home Page

The product control interface is displayed if login is successful.

On the Home page, the operator can view the system status, view the camera snapshot, move the unit, check the lenses and accessories, enable the rays and monitor the status of the alarm inputs.

#### 10.3.3.1 Video Snapshot

This space shows a preview of the video that the unit is recording. The snapshot resolution and its frame-rate are fixed and differ from the actual characteristics of the video stream. To view the video stream quality, it is necessary to use a VMS or the ONVIF DEVICE MANAGER.

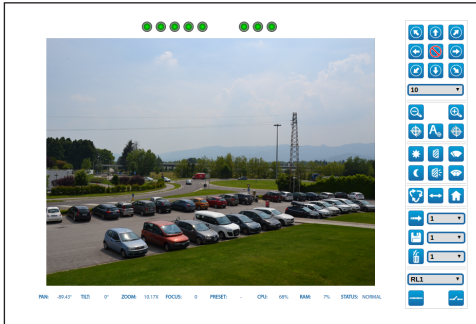


Fig. 57

#### 10.3.3.2 System Status

During startup, the system status is displayed in the snapshot space.

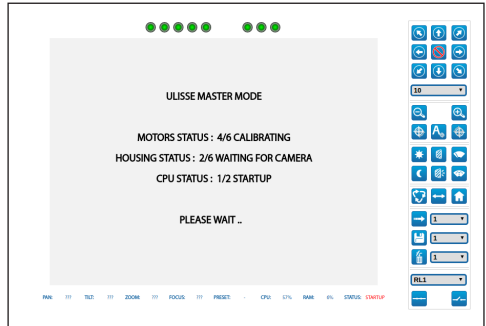


Fig. 58

During normal operation mode, the System Log menu item is highlighted in yellow and accompanied by an attention signal if an alarm has been triggered.

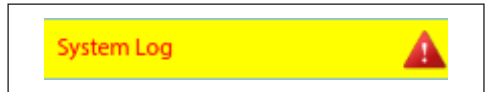


Fig. 59

### 10.3.3.3 Horizontal and vertical movement

The virtual keyboard allows you to move the unit. Use the drop-down menu under the virtual keyboard to set the speed.

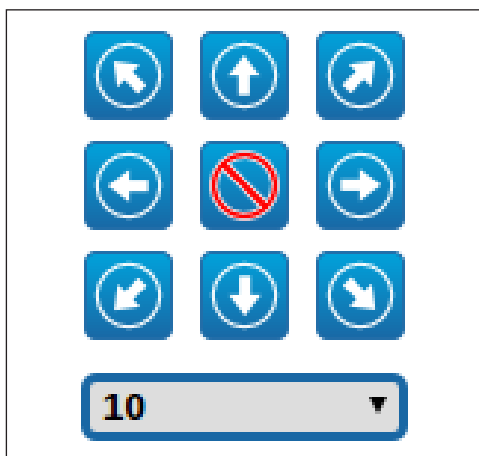


Fig. 60

The unit can also move by clicking directly on the snapshot in the desired direction.



Fig. 61

### 10.3.3.4 Lens control

- **Zoom Wide/Zoom Tele**



Fig. 62

- **Focus Near/Focus Far/Autofocus:** The Autofocus is only available with the camera module visible or motorised lenses equipped with autofocus.



Fig. 63

### 10.3.3.5 Wiper and wash system control

- **Wiper/Wash System:** The wash system must be enabled in order to use it.



Fig. 64

### 10.3.3.6 Day/Night mode control

- **Day Mode/Night Mode:** Day Mode switches off the illuminators and sends the command to insert the IR filter on the camera. Night Mode switches on the illuminators and sends the command to remove the IR filter to the camera.



Fig. 65

### 10.3.3.7 Slave illuminator control

- **Off/On:** The Slave illuminator can be switched on or off manually.



Fig. 66

### 10.3.3.8 Preset management

- Scan Preset/Set Preset/Remove Preset

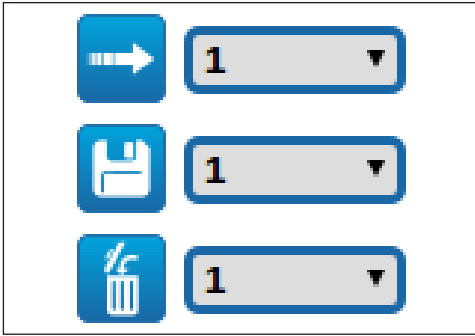


Fig. 67

- **Run Patrol:** The patrol function requires at least 2 presets to have been saved. The speed of movement and waiting times can be configured in the relevant chapter(10.3.13 Preset (Advanced) Page, page 42).



Fig. 68

- **Run Autopan:** Continuous recall of the 2 configured positions. For further information refer to the relative chapter(10.3.9 Autopan Page, page 41).



Fig. 69

- **Go to Home Position:** Recalls the preset number 1 position.



Fig. 70

### 10.3.3.9 Relay and alarm status control

- **Enables the Relay/Disables the Relay:** After selecting relay in the dropdown menu the contact status can be set.

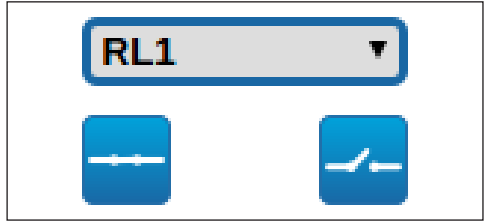


Fig. 71

- **AL1/AL2/AL3/AL4/ALHOUSING/RL1/RL2/DNH OUSING:** It displays the status of the alarms and relays. Red indicates that the alarm or the relay is enabled. Green indicates that the alarm or the relay is disabled.

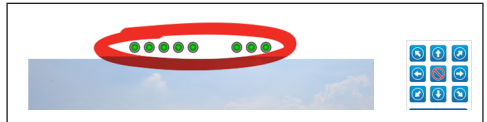


Fig. 72

### 10.3.3.10 Device control using the keyboard

It is possible to control the device via the PC keyboard using the keys indicated in the diagram.

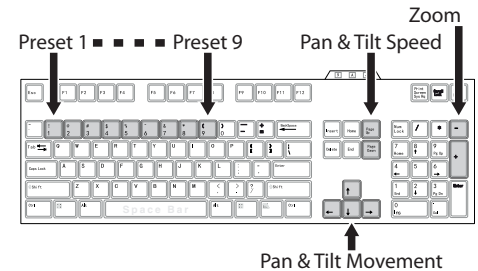


Fig. 73

### 10.3.4 Device Parameters Page

From menu entry Device Parameters it is possible to set the name of the device and view other additional information.

|                                 |                   |
|---------------------------------|-------------------|
| Device Name                     | litose2           |
| Product Code                    |                   |
| Serial Number                   |                   |
| Add-on Serial Number            | 119065310001      |
| MAC Address                     | 00:21:A6:00:11:4C |
| Firmware Version: CPU Board     | 1.1.0             |
| Firmware Version: Motor Board   | 1.0.3             |
| Firmware Version: Housing Board | 1.0.4             |
| Hardware Revision               | 1                 |
| Major Revision                  | 1                 |
| Minor Revision                  | 1                 |

SEND  
CANCEL

Fig. 74

### 10.3.5 Device Statistics Page

Under the menu item Device Statistics you can find, for consultation only, all the statistics collected during the device's operation.

|  |       |
|--|-------|
| Pan Degrees (°)                        | 42235 |
| Tilt Degrees (°)                       | 4253  |
| Power Ups                              | 89    |
| Working Hours (h)                      | 129   |
| Housing Board Maximum Temperature (°C) | 44    |
| Housing Board Minimum Temperature (°C) | 27    |
| Motors Board Maximum Temperature (°C)  | 56    |
| Motors Board Minimum Temperature (°C)  | 31    |
| CPU Board Maximum Temperature (°C)     | 43    |
| CPU Board Minimum Temperature (°C)     | 25    |
| IR Light ON Hours (h)                  | 4     |

Fig. 75

### 10.3.6 Network Page

**i** In order for the device to operate correctly, it is necessary to synchronise it with the VMS software using a NTP server.

From menu entry Network it is possible to change the setting of the Pan & Tilt network. It is possible to decide whether the device requires an address assigned statically, dynamically with DHCP or self-generated. The device supports the Internet Protocol (IP) in version 4.

From the same page it is possible to configure 2 DNS and decide which mechanisms must be enabled to automatically identify the devices in the local network.

**NTP Server:** It is also possible to specify if the device needs to be synchronised with an external NTP (Network Time Protocol) server.

- **DISABLED:** Select this option if you do not wish to synchronise date and time of the device.
- **DHCP:** Select this option if you wish to synchronise the date and time of the device with those of an NTP server (Network Time Protocol) indicated by the DHCP server.
- **STATIC:** Select this option if you wish to synchronise date and time of the device with those of the NTP server specified by the static address.

**PC Sync:** This allows you to synchronise the date and time of the product with that of the PC that you are using (you need to re-execute the command after each unit switch on-off cycle).

|                     |                         |
|---------------------|-------------------------|
| IP Version          | IPv4                    |
| Address Type        | STATIC                  |
| IP Address (IPv4)   | 192.168.0.106           |
| Subnet Mask (IPv4)  | 255.255.255.0           |
| Gateway (IPv4)      | 192.168.0.106           |
| DNS Auto Discovery  | DISABLED                |
| Primary DNS         | 9.9.9.9                 |
| Secondary DNS       | 9.9.4.4                 |
| Date & Time         | 2016-08-03 08:41:30 UTC |
| NTP Server          | DISABLED                |
| PC Sync             | DISABLED                |
| UPnP                | ENABLED                 |
| Zeroconf            | ENABLED                 |
| Multicast Discovery | ENABLED                 |
| WS Discovery        | ENABLED                 |

SEND  
CANCEL

Fig. 76

### 10.3.7 Users Page

From menu entry User Configuration it is possible to manage all users that have access to the device.

Administrator type users can access the complete configuration of the device. Users such as Operators, Users and Anonymous have limited access to the management pages.

Users with limited access can only access the pages:

- Home (move the Pan & Tilt, check the illuminators, enable the wiper, enable the wash system, enable the relays and reference the presets)
- Device Parameters
- Device Statistics

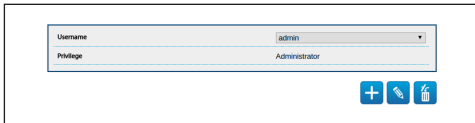


Fig. 77

The password can only contain the following characters (a-z, A-Z, 0-9, ,\_+@%/-()^\*[]{}#;~).

Some cameras may not support the aforementioned set of characters.

### 10.3.8 Movements Page

From menu entry Movements it is possible to control, via web, all Pan & Tilt parameters.

- **Offset Pan:** The pan & tilt has a mechanically defined 0° position. The Offset Pan function allows the definition of a different 0° position using software.
- **Economy Mode:** It reduces the motor's torque when the Pan & Tilt is at standstill to decrease consumption. Do not enable in the presence of strong wind or vibrations.
- **Maximum Speed:** Sets the maximum manual speed.
- **Ramp Type:** This allows you to select the Pan & Tilt accelerations. (Acceleration/deceleration time: 1=1.1s, 2=0.95s, 3=0.8s, 4=0.5s)
- **Speed with Zoom:** When enabled, this parameter automatically slows down the Pan & Tilt speed, based on the Zoom factor.

- **Tilt Factor:** Sets the reduction factor of the tilt axis manual speed. Movement speed factor calculation: Tilt axis speed = Tilt nominal speed / Tilt factor.
- **Pan Limits:** Enables the limits of Pan.
- **Pan Start:** Sets the start limit of Pan.
- **Pan End:** Sets the end limit of Pan.
- **Tilt Start:** Sets the start limit of Tilt.
- **Tilt End:** Sets the end limit of Tilt.
- **Sensitivity:** It enables selection of detection system sensitivity of unwanted Pan and Tilt movements. If the threshold set is surpassed, the system will calibrate Pan and Tilt.

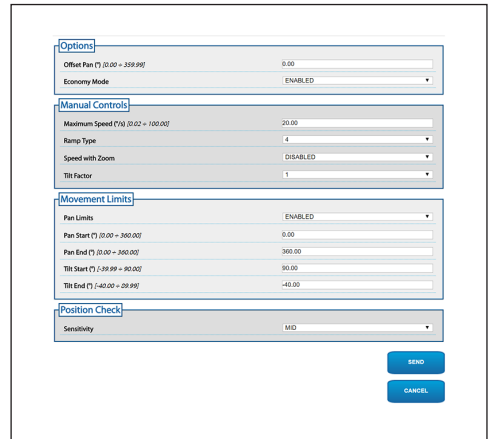


Fig. 78



### 10.3.9 Autopan Page

From menu entry Autopan it is possible to specify the preset autopan start and end.

It is possible to set the speed with which the distance is to be covered.

|   |       |
|---|-------|
| From Preset                                 | 1     |
| To Preset                                   | 2     |
| Outward Movement Speed (°/s) (0.02 - 50.00) | 50.00 |
| Return Movement Speed (°/s) (0.02 - 50.00)  | 50.00 |

SEND  
CANCEL

Fig. 79

### 10.3.10 Patrol Page

From menu entry Patrol it is possible to specify the preset patrol start and end. It is possible to specify whether the scan of the presets needs to be carried out randomly or otherwise.

|                        |          |
|------------------------|----------|
| First Preset (1 - 250) | 1        |
| Last Preset (2 - 250)  | 250      |
| Random Mode            | DISABLED |

SEND  
CANCEL

Fig. 80

### 10.3.11 Motions Recall Page

In the Motions Recall menu item, you can specify the time intervals after which the Pan & Tilt will execute certain functions.

- **Type:** This parameter selects the function to execute once the time interval of inactivity is up. The functions which can be activated are Home, Autopan and Patrol.
- **Timeout:** This parameter specifies the duration of the inactivity interval.
- **Cyclic Re-calibration:** This parameter specifies after how many hours the system must execute a new axes calibration procedure. Sets value 0 to disable the function.

|                                     |      |
|-------------------------------------|------|
| Type                                | NONE |
| Timeout (h) (0.0 - 3600)            | 3600 |
| Cyclic Re-calibration (h) (0 - 168) | 0    |

SEND  
CANCEL

Fig. 81

### 10.3.12 Preset Page

From menu entry Preset a number of parameters relative to the presets can be configured:

- **Scan Speed:** The speed, measured in degrees to the second, at which a preset is reached by explicit operator request.
- **Speed of Movements Default:** The speed used in autopan and patrol operations.
- **Impose Default Speed:** The default speed will also be set as the scanning speed for all presets.
- **Default Dwell Time:** The amount of time, in seconds, it stays in each preset by default.
- **Impose Default Pause:** The default pause will be set for all presets.

|   |       |
|---|-------|
| Scan Speed (°/s) (0.02 - 50.00)                 | 50.00 |
| Speed of Movements Default (°/s) (0.02 - 50.00) | 50.00 |
| Impose Default Speed                            | NO    |
| Default Dwell Time (s) (0 - 3000)               | 5     |
| Impose Default Pause                            | NO    |

Fig. 82

### 10.3.13 Preset (Advanced) Page

In the Preset (Advanced) section it is possible to customise the speed and pause values for each preset, in addition to enabling/disabling the presets themselves.

The speed and pause values are used for Patrol management.

|                                      |       |
|--------------------------------------|-------|
| Preset ID                            | 1     |
| Enabled                              | YES   |
| Pan                                  | 0.00° |
| Tilt                                 | 0.00° |
| Zoom                                 | 1X    |
| Focus                                | 0     |
| Movements Speed (°/s) (0.02 - 50.00) | 50.00 |
| Dwell Time (s) (0 - 3000)            | 5     |

Fig. 83

### 10.3.14 Digital Inputs Page

The Digital Inputs menu allows you to configure the digital channels on the device. What follows is a brief description of the configurable parameters for each digital input.

- **Alarm ID:** Field used to select the desired digital input. The alarm input 5 is found in the housing. For connection refer to the chapter (AL, COM, 7.4.3 Network camera connection, page 18).
- **Input Description:** Enter a text description of the input functionality.
- **Type:** It indicates the default state of the digital input.
- **Action:** Each input can be associated with an action. The action is activated when the contact is in a state other than default. The available actions are listed below:
  - **NONE:** No action.
  - **SCAN:** Position the pan & tilt on the selected preset.
  - **PATROL:** Activate the PATROL.
  - **AUTOPAN:** Activate AUTOPAN.
  - **WIPER:** Enables the wiper.
  - **WASHER:** Activate the glass cleaning sequence.
  - **DNHOUSING:** Enable the relay in the housing. For connection refer to the chapter(DN1, DN2, 7.4.3 Network camera connection, page 18).
  - **RL1:** Activate Relay 1.
  - **RL2:** Activate Relay 2.
  - **IR FILT:** Deactivate the camera's IR Filter. If available, it turns on the LED illuminators.

To check correct operation of the alarms, a dot will appear on the web page. The dot will be green in normal conditions and red when an alarm is detected.

Fig. 84

### 10.3.15 Digital Outputs Page

The Digital Outputs menu allows you to configure the digital channels on the device. What follows is a brief description of the configurable parameters for each digital output.

- **Relay ID:** Field used to select the desired digital output.
- **Output Description:** Enter a text description of the output functionality.
- **Stand-by Status:** Indicates the default status of the digital output.
- **Mode:** Indicates the digital output activation mode.
  - **MONOSTABLE:** This mode activates the output for the time interval set.
  - **BISTABLE:** This mode activates the output for an infinite time interval.
- **Activation Time:** Indicates the number of milliseconds the digital output remains active (only valid when the Monostable mode is selected).

Fig. 85

Some fields are displayed dynamically, depending on the system configuration.

### 10.3.16 Auxiliary Commands Page

The Auxiliary Commands menu allows you to change the order of commands to be exported via the ONVIF protocol. To change the order simply drag the auxiliary commands clicking on the icon at the beginning of the row. The dedicated button can be used to test the commands.

- **Change Order/Run Command**



Fig. 86

Fig. 87

On completing the configuration it is necessary to re-associate the device to the VMS otherwise the changes will not take effect.

### 10.3.17 Night Mode Page

The Night Mode menu can be used to configure the activation of the illuminators.

Some fields are displayed dynamically, depending on the system configuration.

- **Brightness Sensor:** Sets the ambient light reading method in order to switch to Night Mode.
  - **EXTERNAL:** Reading of the ambient light via the alarm input.
  - **ILLUMINATORS:** Reading of the ambient light via the photocell of the illuminators.
  - **CAMERA:** Reading of the ambient light via the camera.
  - **NONE:** Activation manuelle via web page or ONVIF auxiliary command.
- **IR Camera Filter Synchronization:** Enables the removal of the IR filter when the system is in Night mode.
- **Slave Illuminator Activation:** Sets the Slave illuminator activation mode.
  - **MANUAL:** Illuminator manual mode procedure.
  - **SAME AS THE MASTER:** Procedure to activate the Slave illuminator together with the Master.
  - **ZOOM FACTOR:** Procedure to activate the Slave illuminator when the Master illuminator is activated and the zoom factor is greater than the set value. The function is only available with the motorised lenses with potentiometers or with the visible camera module accessory.
  - **PRESET POSITIONS:** Procedure to activate the Slave illuminator when the Master illuminator is activated and the Pan & Tilt is in one of the specified preset positions.

- **Camera Parameters:** Set the levels and delays for switching between Day and Night modes.
  - **Day-Night Threshold:** Sets the light level below which the Pan & Tilt switches to Night mode.
  - **Night-Day Threshold:** Sets the light level above which the Pan & Tilt switches to Day mode.
  - **Day-Night Delay:** Sets the time in seconds during which the light must remain below the Night threshold.
  - **Night-Day Delay:** Sets the time in seconds during which the light must remain above the Day threshold.
- **Slave Illuminator Zoom Threshold:** When Night mode is activated, it indicates the zoom level after which the Slave illuminator is activated.
- **Slave Illuminator Preset List:** When Night mode is activated, it specifies for which presets the Slave illuminator will be activated.

Fig. 88

### 10.3.18 Wash System Page

The configuration page is only available if the relevant accessory is present (11.1 Washer, page 50).

From the Wash System menu, it is possible to configure the device wash system functions.

The virtual keyboard allows you to move the unit. Use the drop-down menu under the virtual keyboard to set the speed.

The Wide Zoom and Tele Zoom allow you to control the viewing angle.

- **Go to the Nozzle Position/Save the Nozzle Position:** The unit positions the housing window according to the saved nozzle position. If necessary, it is possible to save a new nozzle position.



Fig. 89

- **Wash System Activation:** It performs the wash procedure test.



Fig. 90

- **Pump Status:** Displays the relay status controlling the pump. Red indicates that the pump is in operation. Green indicates that the pump is off.



Fig. 91

- **Wiper-on Delay:** Time interval that passes between the moment the water is supplied and the moment the wiper is enabled.
- **Wash Cycle Duration:** Duration of the water supply by the pump.
- **Wiper-off Delay:** Duration of the brushing cycle after water supply has been terminated.

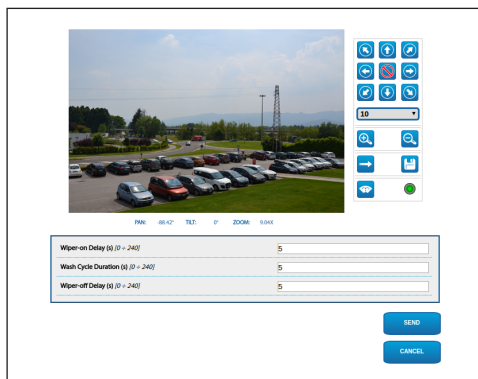


Fig. 92

## 10.3.19 Camera Setting Page

### 10.3.19.1 Third party camera



**The product, with the self-generated IP address, cannot transmit video streaming. Ensure the DHCP server is reachable or, if necessary, set an IP address not belonging to the class "Link Local, 169.254.x.x/16" ( 10.3.6 Network Page, page 39).**

Using the Camera Setting menu item, you can access the web page for the camera installed. Configuration of the video streaming parameters must be carried out with ONVIF protocol using a compatible VMS or the Onvif Device Manager application (recommended choice). If you need to change the video streaming directly on the web page of the camera, you need to re-start the Pan & Tilt at the end of the configuration.

#### 10.3.19.2 Visible camera module

Some fields are displayed dynamically, depending on the system configuration.

The Camera Setting menu allows you to configure the integrated channels on the device:

- **Zoom:** Configuration parameters
  - **Digital Zoom:** It allows enabling or disabling the digital zoom. (in addition to the optical).
  - **Zoom Speed:** Enables the speed setting when manually controlled.
- **Focus:** Configuration parameters
  - **Autofocus Mode:** Enables setting the Autofocus in continuous mode (CAMERA TRIGGER) or at the end of movement (PTZ TRIGGER).
  - **Autofocus Sensitivity:** NORMAL: Rapid focus for frequent movements.  
LOW: Improves focus stability especially for poorly lit or noisy scenes.
  - **Focus Speed:** Enables the speed setting when manually controlled.

- **Exposure:** Configuration parameters
  - **Exposure Mode:** The parameter configures the exposure algorithm (AUTO, MANUAL, IRIS, SHUTTER, BRIGHT). The relevant control fields are displayed based on the mode selected.
  - **High Sensitivity:** With this mode, the maximum gain increases to give brighter images, even in dark scenes.
  - **Backlight Compensation:** The parameter activates the compensation mode for Contre-jour view.
  - **Auto Slowshutter:** The parameter activates the scanning mode with a low frame rate.
  - **Gain Limit:** The parameter defines the maximum gain value for the exposure algorithm.
  - **Exposure Compensation:** The parameter enables correction of scene brightness.
  - **Compensation Value:** The parameter defines the correction of scene brightness value.

- **White Balance:** Configuration parameters
  - **Mode:** It allows configuring the white balance in automatic or manual.
- **Wide Dynamic Range:** Configuration parameters
  - **Wide Dynamic Range:** This parameter enables activation of the function to improve the contrast between the luminous zones and the shadow zones. The Visibility Enhancer (VE) mode enables optimisation of the view by reducing minimum noise.
  - **Light Level:** The parameter enables the average threshold of scene brightness.
  - **Brightness Compensation Selection:** The parameter sets the area in which brightness compensation is executed.
  - **Compensation Level:** The parameter specifies the compensation level applied to the selected zone.
- **Options:** Configuration parameters
  - **Image Stabiliser:** The parameter enables the electronic stabiliser of the image.
  - **Noise Reduction:** The parameter specifies the level and consequential mode (2D, 3D) of noise reduction.
  - **High Resolution:** The parameter activates enhancement of the contours and produces more defined images.
  - **Sharpness:** The parameter sets the level of contour sharpening.
  - **Defog Mode:** The parameter enables the function that enhances the view in the event of fog.
  - **Highlight Correction:** The parameter enables the masking function of the overexposed areas.
  - **Masking Level Overexposure Correction:** The parameter defines the brightness level beyond which masking is applied.

The screenshot displays a configuration menu for video streaming parameters, organized into several sections:

- Zoom:** Digital Zoom (DISABLED), Zoom Speed (4)
- Focus:** Autofocus Mode (PTZ TRIGGER), Focus Speed (4)
- Exposure:** Exposure Mode (AUTO), High Sensitivity (OFF), Backlight Compensation (OFF), Auto Slowshutter (ON), Gain Limit (dB) (15.4), Exposure Compensation (OFF)
- White Balance:** Mode (OUTDOOR AUTO)
- Wide Dynamic Range:** Wide Dynamic Range (ON), Light Level (3), Brightness Compensation Selection (STANDARD), Compensation Level (MID)
- Options:** Image Stabiliser (OFF), Noise Reduction (OFF), High Resolution (OFF), Sharpness (1), Defog Mode (OFF), Highlight Correction (OFF), Masking Level Overexposure Correction (OFF)

At the bottom right, there are two buttons: SEND and CANCEL.

**Fig. 93**

Configuration of the video streaming parameters must be carried out with ONVIF protocol using a compatible VMS or the Onvif Device Manager application (recommended choice).

## 10.3.20 Masking Page

The configuration page is only available if the relevant accessory is present (11.6 Visible camera module, page 51).

The Masking menu allows you to define the areas that will be masked on the video.

The virtual keyboard allows you to move the unit. Use the drop-down menu under the virtual keyboard to set the speed.

The Patrol, Scan Preset and Home buttons are used to activate the relative functions.

### • Selecting the Mask

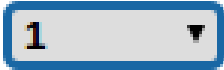


Fig. 94

- **Masking Mode:** During PTZ movement, you can black out certain portions of the video. On reaching the set position the entire video will be obscured. Two masking modes are available. The PAN-TILT mode activates the mask based on both the coordinates of the horizontal and vertical axes. The PAN mode activates the mask based solely on the horizontal axis coordinates.



Fig. 95

- **Mask Start Position:** Configures the mask start position.



Fig. 96

- **Mask Stop Position:** Configures the mask stop position.



Fig. 97

- **Enables Mask/Disables Mask/Positions in the Centre of the Mask/Delete all Masks**



Fig. 98



Fig. 99



### 10.3.21 System Log Page

The System Log menu can be used to view the history of events.

The system is able to detect different types of status changes.

The buttons below the log window allow you to select the filter by level of criticality.

- **Error Level:** Displays only critical errors.
- **Warning Level:** Displays errors that could compromise proper functioning.
- **Download Files:** Allows you to download the log files.

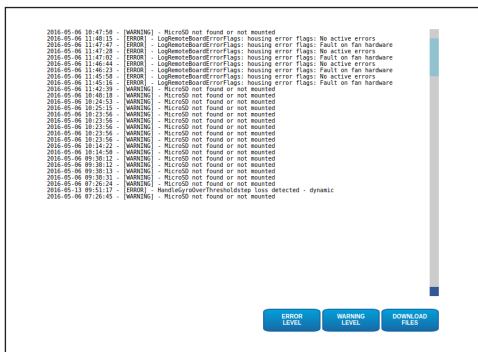


Fig. 100

### 10.3.22 Tools Page

From menu entry Tools it is possible to re-set the predefined values for the entire configuration of device or only for a number of specific sections.

This section:

- Update the firmware of the device.
- Save or load files containing device configuration settings.
- Copy or load device configuration settings from a micro SD.
- Restart the device.

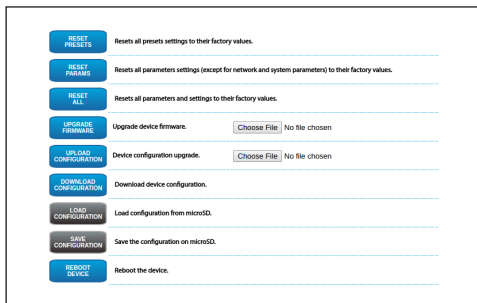


Fig. 101

## 11 Accessories

**i** For further details on configuration and use, refer to the relative manual.

### 11.1 Washer

The P&T can be equipped with an external pump that supplies water for the glass to be cleaned.

When a control is provided, the Pan & Tilt is positioned with the window in front of the nozzle. The pump and wiper are activated for a set period of time. At the end of the operation the P&T returns to its initial position.

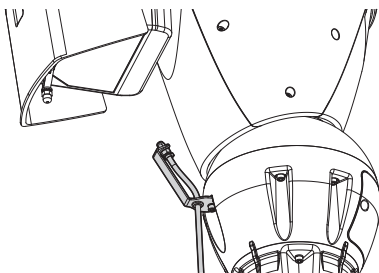


Fig. 102

**i** For further information refer to the relative chapter (10.3.18 Wash System Page, page 45).

### 11.2 Mounting bracket for LED illuminators

A mounting bracket is necessary to install the VIDEOTEC LED illuminators.

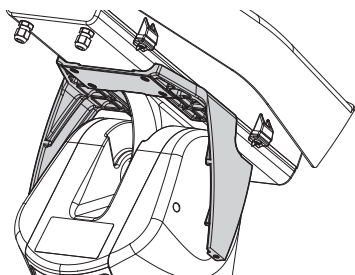


Fig. 103 UPTIRNBKT.

### 11.3 LED illuminators

The unit can be equipped with LED illuminators.

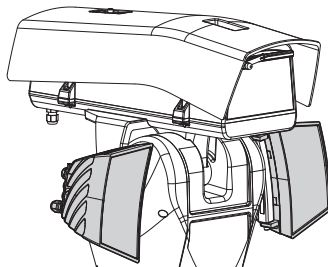


Fig. 104 UPTIRN.

**i** For further information refer to the relative chapter (8.7 LED illuminators installation (optional features), page 27).

### 11.4 Wall mount bracket

Wall bracket with internal cable channel.

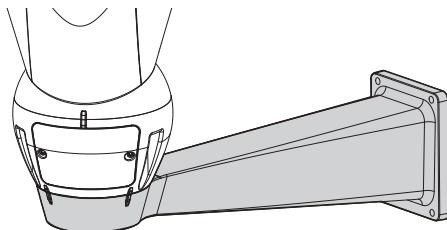


Fig. 105 UPTWBA.

### 11.5 Parapet bracket

Parapet bracket with internal cable channel.

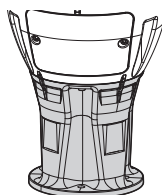


Fig. 106 UPTWBTAB.

## 11.6 Visible camera module

The unit can be equipped with a visible spectrum camera.

Add-on camera Full HD1080p, 30x (4.3-129mm), 60fps, temperature up to + 65°C.

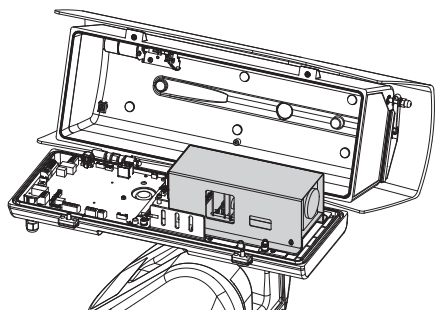


Fig. 107 CAMHD30X.

**i** For further information refer to the relative chapter (7.4.6 Installation of the visible camera module (optional), page 20).

## 11.7 Anti-icing heated glass

The product can be equipped with heated anti-ice glass.

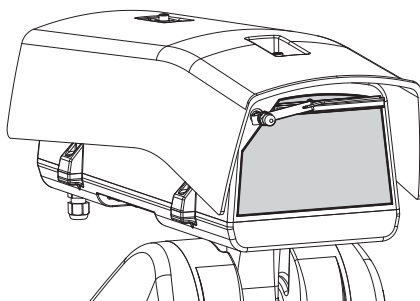




Fig. 108 UPTBVTR.

**i** For further information refer to the relative chapter (7.4.7 Installation of the upper body of the housing with anti-icing heated glass and wiper (optional), page 21).


## 12 Maintenance

 **Before doing any technical work on the device, disconnect the power supply.**

 **Maintenance must be carried out by personnel trained to operate on electrical circuits.**

If contacting the VIDEOTEC technical service or the authorized support centre, you must provide the product serial number (4.3 Product marking, page 11 e 10.3.4 Device Parameters Page, page 39).

### 12.1 Fuses replacement

 **CAUTION! For continued protection against risk of fire, replace only with same type and rating of fuse. Fuses must be replaced only by service personnel.**


If necessary, the connector board's fuses can be replaced (8.2.1 Connector board description, page 23). The new fuses must comply with the directions given in the table.

| FUSES REPLACEMENT  |                      |                       |                     |
|--------------------|----------------------|-----------------------|---------------------|
| Voltage            | Fuse F1              | Fuse F2               | Fuse F3             |
| 24Vac,<br>50/60Hz  | T 10A H 250V<br>5x20 | T 6.3A H 250V<br>5x20 | T 4A H 250V<br>5x20 |
| 120Vac,<br>50/60Hz | T 4A H 250V<br>5x20  |                       |                     |
| 230Vac,<br>50/60Hz | T 4A H 250V<br>5x20  |                       |                     |

Tab. 9


## 13 Cleaning

### 13.1 Window and plastic cover cleaning

 **Avoid ethyl alcohol, solvents, hydrogenated hydrocarbide, strong acid and alkali. Such products may irreparably damage the surface.**

We recommend using a soft cloth with neutral soaps diluted with water or specific products to clean the glasses lenses.

### 13.2 Cleaning the germanium window

 **Cleaning the window take care not to scratch or damage the outer surface treated with carbon coating. Damage to this coating could also interfere with the transparency of the surface to infrared light.**

Cleaning should be done with mild soap diluted with water.

## 14 Disposal of waste materials

 **This symbol mark and recycle system are applied only to EU countries and not applied to the countries in the other area of the world.**

Your product is designed and manufactured with high quality materials and components which can be recycled and reused.

This symbol means that electrical and electronic equipment, at their end-of-life, should be disposed of separately from your household waste.

Please dispose of this equipment at your local Community waste collection or Recycling centre.

In the European Union there are separate collection systems for used electrical and electronic products.

# 15 Troubleshooting



Contact the **VIDEOTEC technical service** or an authorized support centre if the problems listed below persist or you have any other issues that are not described here.

**PROBLEM** The product does not go on.

**CAUSE** Wiring error, blown fuse.

**SOLUTION** Make sure the connections are correct. Check the continuity of the fuses and replace them with the indicated models should they fail.

**PROBLEM** Under special zoom conditions, the housing or sunshield interfere with the image being shot (only for versions with motorised zoom lens).

**CAUSE** The position of the camera or lens is too far back in relation to the window.

**SOLUTION** Adjust the position of the camera and lens.

**PROBLEM** The software interface displays the following message:

**ULISSE2**

**WARNING**

**Factory default reset is still active.**

Please follow the procedure to complete Factory default reset.

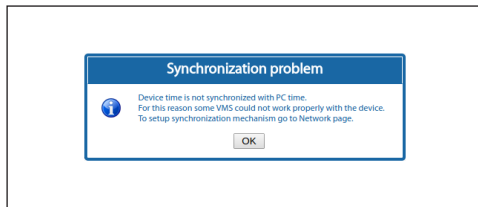
- Switch off the unit.
- Open the connector housing cover.
- Locate the DIP-switch 1 and turn switch 2 OFF.
- Close the connector housing cover.
- Power the unit.

Videotec S.p.A.

**CAUSE** The DIP switch of the Factory default is ON.

**SOLUTION** Follow the instructions outlined in the following chapter (8.3.2 Description of the Factory Default procedure, page 26).

**PROBLEM** The software interface displays the following message:



**CAUSE** The NTP server cannot be reached or is not configured.

**SOLUTION** Check that the server is up and running. Check the settings in the Network Configuration page. If there is no server available, you can synchronise the device with the date and time on the PC that controls the unit (the date and time will be reset on the next restart).

**PROBLEM** The system log displays the error message: **Fault on illuminators hardware or supply frequency out of range.**

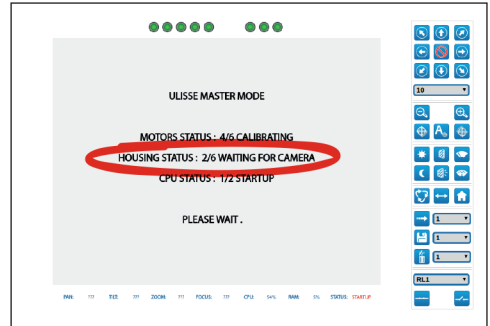
**CAUSE** Fuse F3 is faulty or the supply frequency is out of pre-set range.

**SOLUTION** Check continuity of the fuse and, if faulty, replace it. Check the Pan & Tilt power line frequency.

|                 |  |
|-----------------|--|
| <b>PROBLEM</b>  | <b>The system log displays the error message: MicroSD...</b>   |
| <b>CAUSE</b>    | The system is not able to manage the micro SD installed.   |
| <b>SOLUTION</b> | Check the compatibility of the micro SD with the system. In case of malfunction, replace the micro SD. |

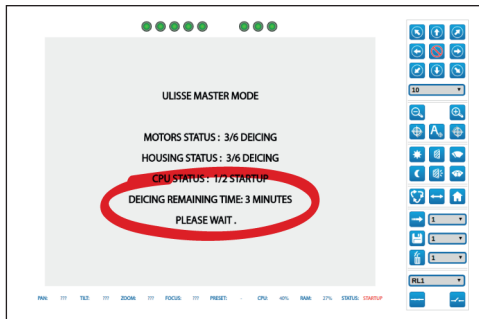
|                 |   |
|-----------------|---|
| <b>PROBLEM</b>  | <b>The system log displays the Error on heater hardware, Error on demist hardware and Error on fan hardware errors.</b> |
| <b>CAUSE</b>    | The system does not correctly detect the main slider in the housing.  |
| <b>SOLUTION</b> | Check that the main slider is installed correctly.  |

|                |   |
|----------------|---|
| <b>PROBLEM</b> | <b>The software interface displays the following message:</b> |
|----------------|---|



|                 |   |
|-----------------|---|
| <b>CAUSE</b>    | <b>Incorrect camera connection or configuration.</b>  |
| <b>SOLUTION</b> | Check the camera power and Ethernet cables. Make sure the camera pre-configuration and the device hardware configuration have been completed. |
| <b>CAUSE</b>    | <b>Incorrect configuration of the camera ONVIF protocol.</b>  |
| <b>SOLUTION</b> | Check the ONVIF protocol and camera access credentials are all enabled.   |

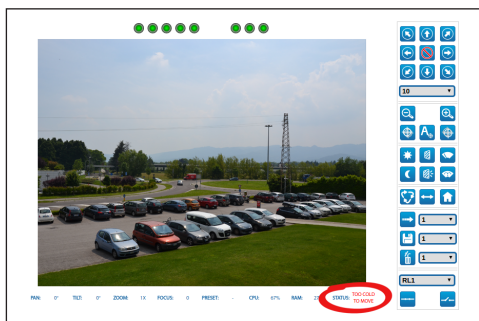
**PROBLEM** During start-up, the Pan & Tilt stays blocked and the software interface displays the following message:



**CAUSE** Air temperature is very low.

**SOLUTION** Wait until the end of the pre-heating procedure.

**PROBLEM** The software interface displays the following message:



**CAUSE** The environment temperature is too low.

**SOLUTION** The movements of the P&T unit is blocked to prevent mechanical damage.

**PROBLEM** You cannot focus the image with the motorised lens:

**CAUSE** Back Focus adjustment incorrect.

**SOLUTION** Execute the following procedure by framing an object at least 20 metres away.

- 1-Completely open the iris
- 2-Bring the zoom to full tele.
- 3-Focus the subject with Focus far/Focus near.
- 4-Bring the zoom to full wide.
- 5-Focus using the Back Focus adjustment mechanism on the camera.
- 6-Bring the zoom to full tele and focus the subject with Focus far/Focus near.
- 7-Bring the zoom to full wide and check the focus is correct.

# 16 Technical data

## 16.1 General

EN – English – Instruction manual

---

Constructed from aluminium and tecnopolymer

---

Epoxypolyester powder painting, RAL9002 colour

---

Top mount

---

Installation made easier with a single hex key and captive screws

---

Extremely smooth movement

---

Transmission through toothed belt with zero backlash

---

Reading via ONVIF of the pan/tilt/zoom position

---

Slip-ring

---

Electronic limit switches

---

Integrated wiper

---

Micro SD slot for configuration and log storage

---

Housing equipped with forced-air ventilation

---

Zero compensation on mechanical horizontal axis (pan offset)

---

User configurable electronically limits for vertical and horizontal axis

## 16.2 Mechanical

---

Cable glands: 2xM20 + 1xM16 + unique seal for RJ45 cables

---

Horizontal rotation: continuous

---

Vertical rotation: +90° to -40°

- Pan variable speed: from 0.02°/s up to 100°/s (from 0.02°/s up to 50°/s with illuminators)
- Tilt variable speed: from 0.02°/s up to 50°/s (from 0.02°/s up to 50°/s with illuminators)

---

The unit automatically reduces the speed according to zoom with Add-on camera and motorised lenses with potentiometer

---

Accuracy of preset positions: 0.02°

---

Internal usable area (WxHxL): 100x100/60x414mm (3.9x3.9/2.4x16.3in) (See drawings)

---

Unit weight: 20.4kg (45lb)

---

Housing with side-opening



## 16.3 Housing's window

Window for Megapixel cameras: (WxH) 125 x 91 mm

Germanium window (usable diameter: 61mm)

- Thick: 2mm (0.07in)
- External treatment: scratch resistant Hard Carbon Coating (DLC) + non-reflective
- Internal treatment: non-reflective
- Spectral range: from 7.5µm up to 14µm
- Medium transmittance (from 7.5µm up to 11.5µm): 90%
- Medium transmittance (from 11.5µm up to 14µm): 77%

Germanium window (usable diameter: 66 mm)

- Thick: 4mm (0.2in)
- External treatment: scratch resistant Hard Carbon Coating (DLC) + non-reflective
- Internal treatment: non-reflective
- Spectral range: from 8 µm up to 14µm

## 16.4 Electrical

Supply voltage/Current consumption:

- 230Vac ±10%, 1.1A, 50/60Hz
- 24Vac ±10%, 10A, 50/60Hz
- 120Vac ±10%, 2A, 50/60Hz

Power consumption:

- 27W, P&T static, heating switched off, without camera
- 34W, P&T static, heating switched off, 30x camera
- 49W, P&T in motion, heating switched off, 30x camera
- 97W, P&T in motion, heating switched on, illuminators off
- 157W, P&T in motion, heating switched on, illuminators lit, 30x camera

Signal cable section: from 0.5mm<sup>2</sup> (20AWG) up to 1.5mm<sup>2</sup> (16AWG)

Self-powered alarm inputs: 4

Relay outputs: 2 (1 A, 30 Vac/dc max)

Temperature-controlled forced air creates an anti-condensation system for the window

De-icing system with self-heating glass, 7W max (optional)

## 16.5 Network

Ethernet connection: 100 Base-TX

- Network protocols: IPv4, HTTP, Bonjour, DNS, NTP, RTSP, RTP, TCP, UDP, IGMP, RTCP, ICMP, DHCP, ARP, ONVIF profile S
- Supported protection systems: password protection (digest-authentication and ws-security)

## 16.6 Camera

### Specifications of the cameras that can be installed

Possible Modes of communication with the IP camera:

- camera controlled by P&T via ONVIF-S (PTZ Master)
- P&T controlled by camera via RS485 serial port (Camera Master)

Selection of the communication mode with the IP camera: via dip-switch

Nominal bitrate of the video stream (total of the whole camera stream) 60 Mbit/s

IP camera configuration via direct connection to the camera's web page

PTZ control (only with Camera Master mode): RS485, Pelco-D protocol, baudrate: 9600 baud

Camera power supply: 12V, 1.5A max with de-icing function

Lens motor power supply: 6-9-12-15 Vdc, 200 mA max

Lens potentiometer power supply: 5 V, 15 mA max

Lens control: common ZF line, separate ZF line or RS485

Autofocus motorised lens trigger: relay

Autofocus lens trigger management: 500 m/s pulse, 15 s pulse, normally open, normally closed

Day/Night camera synchronisation: ONVIF or relay

Camera I/O export: 1 self-powered input, 1 relay output

Maximum weight of camera + lens: 2.3 kg

### Optional VIDEOTEC camera add-on (Code CAMHD30X)

Day/Night Full HD 30x

Image Device: 1/2.8 type Exmor™ CMOS sensor

Effective Pixels: approx. 2.38 Megapixels

Minimum Illumination, color (ICR-OFF):

- 1.4lx, 1/30s, 50 IRE (Normal mode)
- 0.35lx, 1/30s, 50 IRE (High sensitivity mode)
- 0.19lx, 1/3s, 50 IRE (Normal mode)
- 0.05lx, 1/3s, 50 IRE (High sensitivity mode)

Minimum Illumination, B/W (ICR-ON):

- 0.05lx, 1/30s, 50 IRE (Normal mode)
- 0.013lx, 1/30s, 50 IRE (High sensitivity mode)
- 0.002lx, 1/3s, 30 IRE (High sensitivity mode)

Lens: f=4.3 mm (wide) ~ 129.0 mm (tele), from F1.6 to F4.7

Optical zoom: 30x (360x with digital zoom)

Horizontal Viewing Angle: 63.7° (wide end), 2.3° (tele end)

Minimum object distance: 10mm (wide) ~ 1200mm (tele)

Electronic Shutter: 1/1 to 1/10000 s, 22 steps

White balance: Auto, ATW, Indoor, Outdoor, Outdoor Auto, Sodium vapor lamp (Fix, Auto, Outdoor Auto), One-push, Manual

Gain: Auto, Manual, Gain Limit (from 3dB up to 43dB, steps: 3dB)

Wide Dynamic Range: On/Off/Visibility enhancer, Light level, Brightness compensation selection, Compensation level

Focus System: Auto (Sensitivity: Normal, Low), Manual, PTZ trigger

Exposure Control: Auto, EV Compensation, Manual, Priority (Shutter priority, Iris priority), Brightness, Slow AE

S/N Ratio: 50dB

Wide-D (wide dynamic range): 130dB

De-fog: On/Off

Speed in proportion to zoom

Zone masking (pan angle or pan/tilt angles)

Electronic stabiliser

## 16.7 Environment

---

Indoor/Outdoor

---

Operating temperature: from -40°C (-40°F) up to +65°C (149°F)

---

De-icing function intervention: from -40°C (-40°F) up to -10° (14°F)

---

Wind resistance

- P&T static: 220km/h (136mph) max
  - P&T in motion, at the maximum speed, with LED illuminators: 87 mph (140 km/h) max
- 

Relative humidity: from 10% up to 95% (no condensation)

## 16.8 Certifications

---

Electrical safety (CE): EN60950-1, IEC60950-1

---

Electromagnetic compatibility (CE): EN50130-4, EN61000-6-4, EN55022 (Class A), EN55032 (Class A), FCC Part 15 (Class A)

---

Outdoor installation (CE): EN60950-22, IEC60950-22

---

IP protection degree: EN60529, IP66

---

Salty fog resistance: EN50130-5, EN60068-2-52

---

UL certification: cULus Listed, TYPE 4X (Only 24 Vac and 120 Vac versions)

---

EAC certification

---

Vibration test: EN50130-5 Cl. 22, Cl. 23 (EN60068-2-6)

# 17 Technical drawings



The dimensions of the drawings are in millimetres.

EN - English - Instruction manual

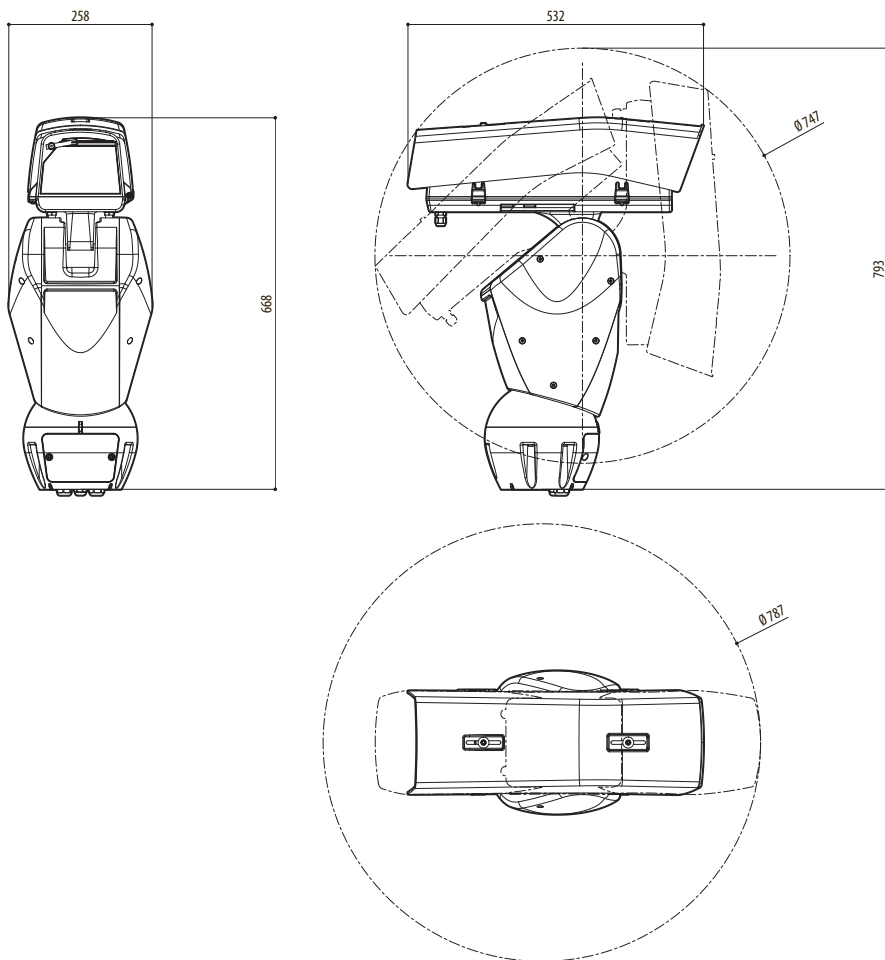
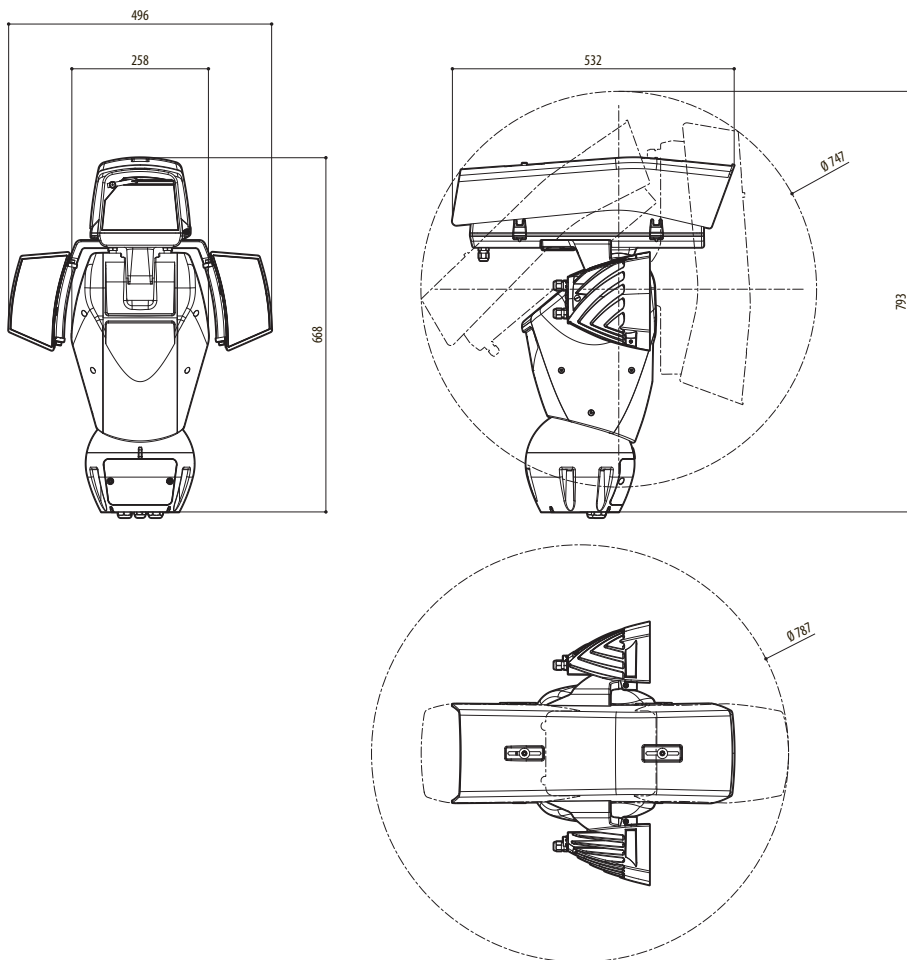


Fig. 109 ULISSE2.



**Fig. 110** ULISSE2, version with two LED illuminators.

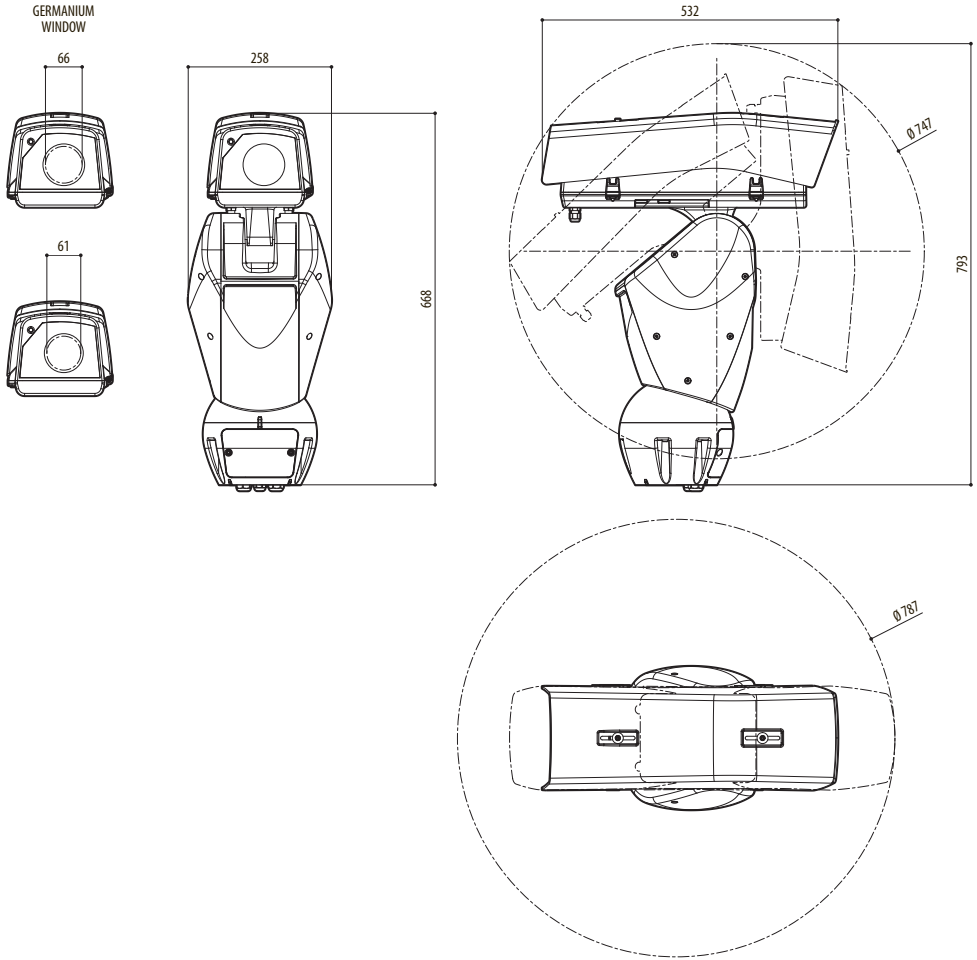
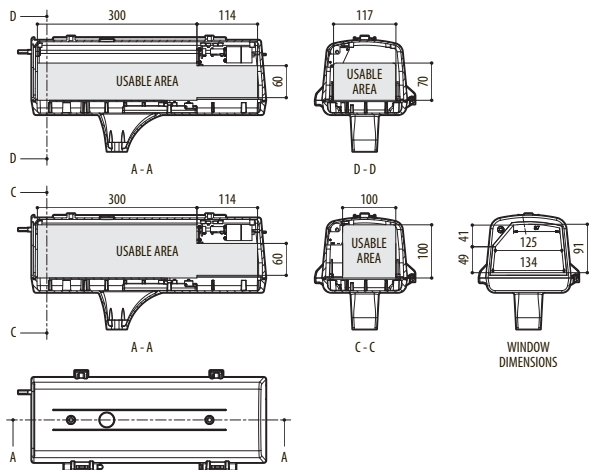


Fig. 111 ULISSE2, version for thermal cameras.



**Fig. 112** ULISSE2, housing.

**Headquarters Italy** Videotec S.p.A.

Via Friuli, 6 - I-36015 Schio (VI) - Italy  
Tel. +39 0445 697411 - Fax +39 0445 697414  
Email: info@videotec.com

**Asia Pacific** Videotec (HK) Ltd

Flat 8, 19/F. On Dak Industrial Building, No. 2-6 Wah Sing Street  
Kwai Chung, New Territories - Hong Kong  
Tel. +852 2333 0601 - Fax +852 2311 0026  
Email: info.hk@videotec.com

**France** Videotec France SARL

Immeuble Le Montreal, 19bis Avenue du Québec, ZA de Courtaboeuf  
91140 Villebon sur Yvette - France  
Tel. +33 1 60491816 - Fax +33 1 69284736  
Email: info.fr@videotec.com

**Americas** Videotec Security, Inc.

Gateway Industrial Park, 35 Gateway Drive, Suite 100  
Plattsburgh, NY 12901 - U.S.A.  
Tel. +1 518 825 0020 - Fax +1 518 825 0022  
Email: info.usa@videotec.com - www.videotec.com



[www.videotec.com](http://www.videotec.com)

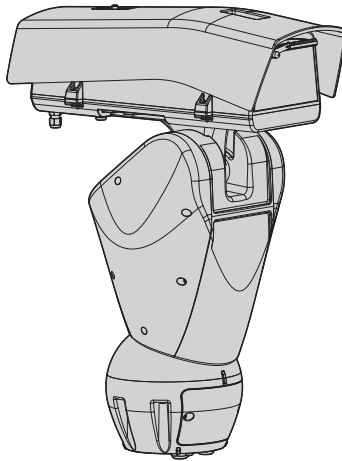
**MNVCU2\_1638\_EN**





# ULISSE2

PTZ Full IP universale per telecamere IP





# Sommario

|  |           |
|--|-----------|
| <b>1 Informazioni sul presente manuale .....</b>   | <b>7</b>  |
| 1.1 Convenzioni tipografiche .....   | 7         |
| <b>2 Note sul copyright e informazioni sui marchi commerciali.....</b>   | <b>7</b>  |
| <b>3 Norme di sicurezza .....</b>  | <b>8</b>  |
| <b>4 Identificazione .....</b>   | <b>10</b> |
| 4.1 Descrizione e designazione del prodotto.....   | 10        |
| 4.2 Panoramica del prodotto.....   | 10        |
| 4.3 Marcatura del prodotto .....   | 11        |
| 4.3.1 Controllo della marcatura.....   | 11        |
| <b>5 Versioni.....</b>   | <b>11</b> |
| 5.1 Finestra in germanio.....  | 11        |
| <b>6 Preparazione del prodotto per l'utilizzo.....</b>   | <b>12</b> |
| 6.1 Precauzioni di sicurezza prima dell'utilizzo.....  | 12        |
| 6.2 Disimballaggio.....  | 12        |
| 6.3 Contenuto .....  | 12        |
| 6.4 Smaltimento in sicurezza dei materiali di imballaggio.....   | 12        |
| 6.5 Lavoro preparatorio prima dell'installazione.....  | 13        |
| 6.5.1 Fissaggio del supporto .....   | 13        |
| 6.5.2 Passaggio cavi.....  | 13        |
| 6.5.3 Preconfigurazione della telecamera di terze parti.....   | 13        |
| <b>7 Assemblaggio .....</b>  | <b>14</b> |
| 7.1 Caratteristiche delle telecamere .....   | 14        |
| 7.2 Fissaggio del tettuccio.....   | 14        |
| 7.3 Montaggio telecamera e ottiche motorizzate .....   | 14        |
| 7.3.1 Apertura della custodia.....   | 14        |
| 7.3.2 Installazione della telecamera .....   | 15        |
| 7.4 Collegamento della telecamera e dell'ottica motorizzata .....  | 17        |
| 7.4.1 Descrizione della scheda della custodia .....  | 17        |
| 7.4.2 Valori nominali massimi della telecamera e dell'ottica motorizzata.....  | 18        |
| 7.4.3 Collegamento della telecamera di rete .....  | 18        |
| 7.4.4 Collegamento delle ottiche motorizzate controllate in tensione.....  | 19        |
| 7.4.4.1 Collegamento delle ottiche con motori ad inversione di polarità.....   | 19        |
| 7.4.4.2 Collegamento delle ottiche con motori a filo comune.....   | 19        |
| 7.4.4.3 Regolazione della tensione di alimentazione dei motori delle ottiche .....   | 19        |
| 7.4.4.4 Collegamento dei potenziometri.....  | 19        |
| 7.4.4.5 One Push Autofocus .....   | 20        |
| 7.4.5 Collegamento delle ottiche motorizzate controllate tramite linea seriale .....                                       | 20        |
| 7.4.6 Installazione del modulo telecamera visibile (opzionale) .....   | 20        |
| 7.4.7 Installazione del corpo superiore della custodia con vetro riscaldato antighiaccio e tergicristallo (opzionale)..... | 21        |
| 7.4.8 Chiusura della custodia.....   | 21        |
| <b>8 Installazione.....</b>  | <b>21</b> |
| 8.1 Fissaggio della base al supporto.....  | 21        |

|   |           |
|---|-----------|
| 8.2 Collegamento del brandeggio all'impianto .....  | 23        |
| 8.2.1 Descrizione della scheda connettori .....   | 23        |
| 8.2.2 Collegamento della linea di alimentazione .....   | 23        |
| 8.2.3 Collegamento dei cavi di segnale.....   | 24        |
| 8.2.3.1 Collegamento del cavo di rete Ethernet.....   | 24        |
| 8.2.3.2 Collegamento degli ingressi di allarme, dell'interruttore crepuscolare e dei relè ..... | 24        |
| 8.3 Selezione della modalità operativa dell'unità .....   | 25        |
| 8.3.1 Descrizione della modalità Master Selection .....   | 25        |
| 8.3.2 Descrizione della procedura di Factory Default .....                                      | 26        |
| 8.4 Chiusura dello sportellino dei connettori .....   | 26        |
| 8.5 Installazione della memory card .....   | 26        |
| 8.6 Fissaggio del corpo superiore .....   | 27        |
| 8.7 Montaggio degli illuminatori a LED (opzionali).....   | 27        |
| 8.7.1 Montaggio della staffa.....   | 27        |
| 8.7.2 Montaggio dell'illuminatore sulla staffa.....   | 28        |
| 8.8 Collegamento degli illuminatori a LED .....   | 29        |
| 8.9 Regolazione e modalità di attivazione degli illuminatori a LED .....                        | 29        |
| 8.9.1 Regolazione della soglia di accensione degli illuminatori a LED .....                     | 30        |
| 8.9.2 Regolazione della potenza degli illuminatori a LED .....                                  | 30        |
| 8.9.3 Attivazione degli illuminatori a LED tramite un interruttore crepuscolare esterno .....   | 31        |
| 8.9.4 Attivazione degli illuminatori a LED tramite il sensore crepuscolare integrato.....       | 31        |
| 8.9.5 Attivazione degli illuminatori a LED tramite la telecamera .....                          | 31        |
| 8.9.6 Attivazione manuale degli illuminatori a LED.....   | 31        |
| <b>9 Accensione .....</b>   | <b>32</b> |
| <b>10 Configurazione .....</b>  | <b>32</b> |
| 10.1 Indirizzo IP di default .....  | 32        |
| 10.2 Identificazione del MAC address .....  | 32        |
| 10.3 Interfaccia web.....   | 33        |
| 10.3.1 Primo accesso alle pagine web .....  | 33        |
| 10.3.2 Pagina Configurazione Hardware .....   | 33        |
| 10.3.3 Pagina Home .....  | 36        |
| 10.3.3.1 Snapshot del video .....   | 36        |
| 10.3.3.2 Stato del sistema .....  | 36        |
| 10.3.3.3 Movimento orizzontale e verticale .....  | 37        |
| 10.3.3.4 Controllo delle ottiche.....   | 37        |
| 10.3.3.5 Controllo del tergicristallo e dell'impianto di lavaggio .....                         | 37        |
| 10.3.3.6 Controllo della modalità Diurna/Notturna .....   | 37        |
| 10.3.3.7 Controllo dell'illuminatore Slave .....  | 37        |
| 10.3.3.8 Gestione Preset .....  | 38        |
| 10.3.3.9 Controllo relè e stato degli allarmi.....  | 38        |
| 10.3.3.10 Controllo del dispositivo tramite tastiera.....                                       | 38        |
| 10.3.4 Pagina Parametri Dispositivo .....   | 39        |
| 10.3.5 Pagina Statistiche Dispositivo .....   | 39        |
| 10.3.6 Pagina Rete.....   | 39        |
| 10.3.7 Pagina Utenti .....  | 40        |
| 10.3.8 Pagina Movimenti.....  | 40        |
| 10.3.9 Pagina Autopan .....   | 41        |
| 10.3.10 Pagina Patrol.....  | 41        |
| 10.3.11 Pagina Richiamo Movimenti.....  | 41        |

|   |           |
|---|-----------|
| 10.3.12 Pagina Preset.....                            | 42        |
| 10.3.13 Pagina Preset (Avanzato) .....                | 42        |
| 10.3.14 Pagina Ingressi Digitali .....                | 42        |
| 10.3.15 Pagina Uscite Digitali.....                   | 43        |
| 10.3.16 Pagina Comandi Ausiliari .....                | 43        |
| 10.3.17 Pagina Modalità Notturna .....                | 44        |
| 10.3.18 Pagina Impianto di Lavaggio.....              | 45        |
| 10.3.19 Pagina Settaggi Telecamera.....               | 46        |
| 10.3.19.1 Telecamera di terze parti.....              | 46        |
| 10.3.19.2 Modulo telecamera visibile.....             | 46        |
| 10.3.20 Pagina Mascheratura.....                      | 48        |
| 10.3.21 Pagina Registro di Sistema .....              | 49        |
| 10.3.22 Pagina Strumenti .....                        | 49        |
| <b>11 Accessori.....</b>                              | <b>50</b> |
| 11.1 Impianto di lavaggio .....                       | 50        |
| 11.2 Staffa di supporto per illuminatori a LED .....  | 50        |
| 11.3 Illuminatori a LED.....                          | 50        |
| 11.4 Supporto da parete .....                         | 50        |
| 11.5 Supporto da parapetto .....                      | 50        |
| 11.6 Modulo telecamera visibile .....                 | 51        |
| 11.7 Vetro riscaldato anti-ghiaccio .....             | 51        |
| <b>12 Manutenzione.....</b>                           | <b>52</b> |
| 12.1 Sostituzione dei fusibili.....                   | 52        |
| <b>13 Pulizia .....</b>                               | <b>52</b> |
| 13.1 Pulizia del vetro e delle parti in plastica..... | 52        |
| 13.2 Pulizia della finestra in germanio .....         | 52        |
| <b>14 Smaltimento dei rifiuti .....</b>               | <b>52</b> |
| <b>15 Risoluzione dei problemi .....</b>              | <b>53</b> |
| <b>16 Dati tecnici .....</b>                          | <b>56</b> |
| 16.1 Generale .....                                   | 56        |
| 16.2 Meccanica .....                                  | 56        |
| 16.3 Finestre per custodia.....                       | 57        |
| 16.4 Elettrico.....                                   | 57        |
| 16.5 Rete .....                                       | 57        |
| 16.6 Telecamere.....                                  | 58        |
| 16.7 Ambiente.....                                    | 59        |
| 16.8 Certificazioni .....                             | 59        |
| <b>17 Disegni tecnici .....</b>                       | <b>60</b> |



# 1 Informazioni sul presente manuale

Prima di installare e utilizzare questa unità, leggere attentamente tutta la documentazione fornita. Tenere il manuale a portata di mano per consultazioni successive.

## 1.1 Convenzioni tipografiche



**PERICOLO!**  
**Pericolosità elevata.**  
**Rischio di scosse elettriche. Prima di eseguire qualsiasi operazione assicurarsi di togliere tensione al prodotto, salvo diversa indicazione.**



**PERICOLO!**  
**Pericolo di natura meccanica.**  
**Rischio di schiacciamento o cesoiamento.**



**PERICOLO!**  
**Superficie calda.**  
**Evitare il contatto. Le superfici sono calde e potrebbero causare danni alla persona in caso di contatto.**



**PERICOLO!**  
**Emissione di luce visibile o infrarossa.**  
**Può essere dannoso per gli occhi. Prestare attenzione alle indicazioni fornite.**



**ATTENZIONE!**  
**Pericolosità media.**  
**L'operazione è molto importante per il corretto funzionamento del sistema. Si prega di leggere attentamente la procedura indicata e di eseguirla secondo le modalità previste.**



**INFO**  
**Descrizione delle caratteristiche del sistema.**  
**Si consiglia di leggere attentamente per comprendere le fasi successive.**

## 2 Note sul copyright e informazioni sui marchi commerciali

I nomi di prodotto o di aziende citati sono marchi commerciali o marchi commerciali registrati appartenenti alle rispettive società.

### 3 Norme di sicurezza



**ATTENZIONE!** L'impianto elettrico al quale è collegata l'unità deve essere dotato di un interruttore di protezione bipolare automatico da 20A max. Tale interruttore deve essere di tipo Listed. La distanza minima tra i contatti dell'interruttore di protezione deve essere di 3mm. L'interruttore deve essere provvisto di protezione contro la corrente di guasto verso terra (differenziale) e la sovracorrente (magnetotermico).



**Prima di eseguire qualsiasi operazione assicurarsi di togliere tensione al prodotto.**



**ATTENZIONE! Parti mobili pericolose. Non avvicinare dita e altre parti del corpo.**



**ATTENZIONE! L'installazione e la manutenzione del dispositivo deve essere eseguita solo da personale tecnico specializzato.**



**ATTENZIONE! Per assicurare la protezione contro il rischio di incendio, sostituire i fusibili con lo stesso tipo e valore. I fusibili devono essere sostituiti solo da personale qualificato.**



**ATTENZIONE! L'installazione è di tipo TNV-1. Non collegare a circuiti SELV.**



**ATTENZIONE! Per ridurre il rischio di incendio usare solamente cavi certificati UL Listed o CSA aventi sezioni maggiori o uguali a 0.14mm<sup>2</sup> (26AWG).**



**ATTENZIONE! Prima dell'apertura del prodotto scollegare il connettore del circuito TNV.**

- Il produttore declina ogni responsabilità per eventuali danni derivanti da un uso improprio delle apparecchiature menzionate in questo manuale. Si riserva inoltre il diritto di modificarne il contenuto senza preavviso. Ogni cura è stata posta nella raccolta e nella verifica della documentazione contenuta in questo manuale. Il produttore, tuttavia, non può assumersi alcuna responsabilità derivante dall'utilizzo della stessa. Lo stesso dicasi per ogni persona o società coinvolta nella creazione e nella produzione di questo manuale.



- Non utilizzare cavi con segni di usura o invecchiamento.
- Non effettuare per nessun motivo alterazioni o collegamenti non previsti in questo manuale. L'uso di apparecchi non idonei può portare a gravi pericoli per la sicurezza del personale e dell'impianto.
- Utilizzare solo parti di ricambio originali. Pezzi di ricambio non originali potrebbero causare incendi, scariche elettriche o altri pericoli.
- Prima di procedere con l'installazione, controllare che il materiale fornito corrisponda alle specifiche richieste esaminando le etichette di marcatura (4.3 Marcatura del prodotto, pagina 11).
- Questo dispositivo è stato progettato per essere fissato e collegato in maniera permanente su un edificio o su una struttura adeguata. Il dispositivo deve essere fissato e collegato in maniera permanente prima di effettuare qualsiasi operazione.
- Il prodotto è progettato per alloggiare solo telecamere opportunamente certificate.
- Il valore nominale massimo della telecamera deve essere 12Vdc, 18W max (57Vdc, 13W max per le versioni PoE).
- L'impianto elettrico deve essere dotato di un sezionatore di rete prontamente riconoscibile e utilizzabile in caso di necessità.
- Il terminale di terra disponibile nel prodotto deve essere collegato permanentemente alla terra.
- La categoria di installazione (detta anche categoria di sovratensione) specifica i livelli della tensione transitoria di rete alla quale l'apparato è soggetto. La categoria dipende dal luogo di installazione e dalla presenza di dispositivi di protezione contro le sovratensioni. Un dispositivo per ambienti industriali, connesso ai rami principali dell'impianto di alimentazione è soggetto alla categoria di installazione III. Se questo è il caso, è richiesta una riduzione alla categoria II. Ciò può essere ottenuto utilizzando un trasformatore di isolamento con schermatura connessa a terra tra il primario ed il secondario, o tramite l'impiego di dispositivi di protezione contro le sovratensioni (SPD), UL listed, connessi tra la fase ed il neutro e tra il neutro e terra. I dispositivi SPD UL listed, dovranno essere predisposti per limitare sovratensioni transitorie in modo ripetitivo e per le seguenti condizioni nominali di funzionamento: Tipo 2 (Dispositivi SPD connessi permanentemente alla rete di alimentazione, per installazioni dal lato del carico del dispositivo di servizio); Corrente nominale di scarica (In) 20kA minimi. Si possono utilizzare ad esempio: FERRAZ SHAWMUT, ST23401PG-CN, ST240SPG-CN specificati per 120Vac/240Vac, (In=20kA). La distanza massima tra l'installazione e la riduzione è di 5m.
- Il dispositivo deve essere correttamente collegato al circuito di terra.
- Collegare il dispositivo ad una sorgente d'alimentazione corrispondente a quella indicata nell'etichetta di marcatura. Prima di procedere con l'installazione verificare che la linea elettrica sia opportunamente sezionata. La tensione di alimentazione non deve eccedere i limiti ( $\pm 10\%$ ).

## 4 Identificazione

### 4.1 Descrizione e designazione del prodotto

ULISSE2 è un'unità PTZ Full IP per esterni per la completa gestione e controllo di tutte le telecamere IP e termiche IP di terze parti (ONVIF-S o dotate di porta seriale RS485), con accesso diretto via browser all'interfaccia della telecamera per setup e diagnostica.

La connettività Full IP di ULISSE2, grazie al protocollo ONVIF-S, permette di controllare via rete tutte le funzioni di telecamera e brandeggio, inclusi tergicristallo, pompa lavavetro, preset, attivazione illuminatori e set-up, utilizzando i più diffusi VMS sul mercato.

Le avanzate tecnologie di progettazione utilizzate hanno permesso di potenziare alcune caratteristiche del nuovo PTZ, come l'intervallo di temperatura da  $-40^{\circ}\text{C}$  a  $+65^{\circ}\text{C}$ . Le funzioni di termoregolazione e di disappannamento con aria forzata sempre attive evitano la formazione di condensa e garantiscono la temperatura ideale per la telecamera.

Gli illuminatori a LED sono facilmente integrabili sul brandeggio, anche successivamente all'installazione, senza la necessità di alimentatori aggiuntivi ed indipendentemente dalla tensione di alimentazione dell'unità. Inoltre il secondo illuminatore può essere attivato su determinati parametri di zoom, posizioni di preset o manualmente, per evitare lo spot di luce quando si inquadra un soggetto vicino oppure per poter controllare un faro a luce bianca.

Il PTZ è dotato di tergicristallo che, con l'ausilio del kit lavavetro in opzione, mantiene sempre pulita la finestra della telecamera per una perfetta visione in qualsiasi condizione meteorologica.

L'efficiente self-test automatico rileva tempestivamente lo stato del sistema. Tutti gli eventi rilevati vengono memorizzati nel log interno. È possibile fare il completo back up del sistema su Micro SD tramite l'apposito slot.

L'elevata accessibilità alla zona connettori permette di effettuare in modo agevole e veloce le operazioni di cablaggio e di diagnostica, senza smontare il prodotto. ULISSE2 si installa completamente con un'unica chiave esagonale fornita in dotazione.

### 4.2 Panoramica del prodotto

Il prodotto è composto da 4 parti:

1. Parte superiore della custodia.
2. Telecamera e ottica motorizzata di terze parti (non fornite)/Telecamera con ottica integrata di terze parti (non fornite)/Modulo telecamera visibile (accessorio).
3. Corpo.
4. Base.

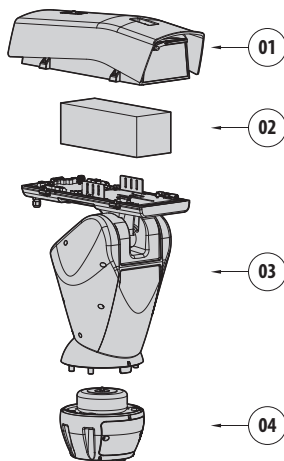


Fig. 1

## 4.3 Marcatura del prodotto

**i** Sui brandeggi è applicata una etichetta conforme alla marcatura CE.

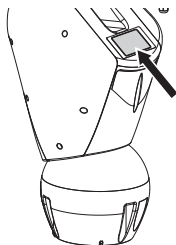


Fig. 2

L'etichetta riporta:

- Codice di identificazione del modello (Codice a barre Extended 3/9).
- Tensione di alimentazione (Volt).
- Frequenza (Hertz).
- Corrente assorbita (Ampere).
- Grado di protezione (IP).
- Numero di serie.

### 4.3.1 Controllo della marcatura

Prima di procedere con l'installazione controllare che il materiale fornito corrisponda alle specifiche richieste, esaminando le etichette di marcatura.

Non effettuare per nessun motivo alterazioni o collegamenti non previsti in questo manuale. L'uso di apparecchi non idonei può portare a gravi pericoli per la sicurezza del personale e dell'impianto.

## 5 Versioni

### 5.1 Finestra in germanio

La versione con finestra in germanio è stata studiata per applicazioni con telecamere termiche.

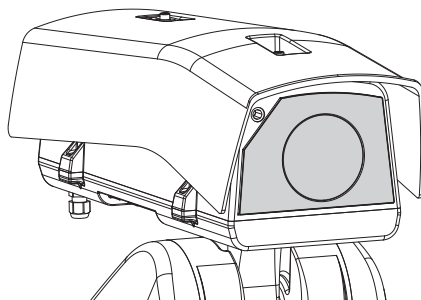


Fig. 3

## 6 Preparazione del prodotto per l'utilizzo

**!** **Qualsiasi intervento non espressamente approvato dal costruttore fa decadere la garanzia.**

**!** **L'unità non deve essere smontata o manomessa. Le uniche eccezioni sono quelle che riguardano le operazioni di montaggio e manutenzione previste nel presente manuale.**

### 6.1 Precauzioni di sicurezza prima dell'utilizzo

**!** **L'apparecchiatura comprende parti mobili. Assicurarsi che l'unità venga posizionata in un'area non accessibile durante le normali condizioni di funzionamento. Applicare l'apposita etichetta fornita assieme all'apparecchio nelle sue vicinanze ed in modo ben visibile.**



Fig. 4

### 6.2 Disimballaggio

Alla consegna del prodotto verificare che l'imballo sia integro e non presenti segni evidenti di cadute o abrasioni.

In caso di danni evidenti all'imballo contattare immediatamente il fornitore.

In caso di restituzione del prodotto malfunzionante è consigliato l'utilizzo dell'imballaggio originale per il trasporto.

Conservare l'imballo nel caso sia necessario inviare il prodotto in riparazione.

### 6.3 Contenuto

Controllare che il contenuto sia corrispondente alla lista del materiale sotto elencata:

- Unità di posizionamento
- Base di alimentazione
- Imballo degli accessori:
  - Chiave esagonale
  - Distanziali
  - Etichetta
  - Fascette
  - Guaina siliconica
  - Guarnizioni di riduzione per pressacavi
  - Manuale di istruzioni
  - Viteria
- Tettuccio

### 6.4 Smaltimento in sicurezza dei materiali di imballaggio

I materiali d'imballo sono costituiti interamente da materiale riciclabile. Sarà cura del tecnico installatore smaltirli secondo le modalità di raccolta differenziata o comunque secondo le norme vigenti nel Paese di utilizzo.

## 6.5 Lavoro preparatorio prima dell'installazione

### 6.5.1 Fissaggio del supporto

Sono disponibili diversi tipi di supporto (11 Accessori, pagina 50). Scegliere il supporto adeguato all'installazione e seguire tutte le istruzioni nel capitolo indicato.

**⚠** **Porre particolare attenzione ai sistemi di fissaggio dell'apparecchiatura. Il sistema di fissaggio deve essere in grado di reggere almeno 4 volte il peso dell'intera apparecchiatura, comprensiva di brandeggio, lenti e telecamera.**

**⚠** **Il dispositivo deve essere montato in posizione verticale. Ogni posizionamento alternativo potrebbe compromettere le prestazioni dell'apparecchiatura.**

**⚠** **Non montare il dispositivo capovolto.**

### 6.5.2 Passaggio cavi

**⚠** **I cavi di collegamento non devono essere accessibili dall'esterno. I cavi devono essere opportunamente fissati al sostegno per evitare che l'eccessivo peso ne compori lo sfilamento accidentale.**

**⚠** **I cavi utilizzati devono essere conformi al tipo di installazione.**

Introdurre i cavi all'interno del supporto in modo che fuoriescano per circa 50cm.

Per ulteriori informazioni fare riferimento al relativo capitolo (8.2 Collegamento del brandeggio all'impianto, pagina 23).

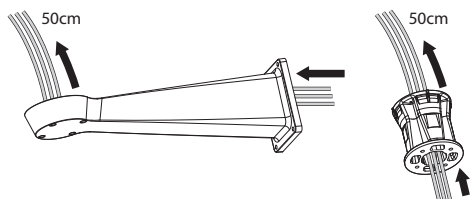


Fig. 5

### 6.5.3 Preconfigurazione della telecamera di terze parti

**i** **Il sistema può essere interfacciato a un VMS (Video Management System) in due diversi modi: (8.3.1 Descrizione della modalità Master Selection, pagina 25). Se si desidera utilizzare la modalità PTZ Master è necessario configurare la telecamera prima di effettuare l'installazione nella custodia.**

La telecamera deve essere preconfigurata per poter acquisire l'indirizzo IP via DHCP.

La telecamera deve essere preconfigurata per poter interfacciarsi con il server NTP via DHCP. Se la configurazione NTP via DHCP della telecamera non è possibile, configurare il seguente indirizzo statico del server NTP: 192.0.0.1.

La telecamera deve essere preconfigurata per poter comunicare con il brandeggio tramite il protocollo ONVIF profilo S. Scegliere con attenzione il login e la password, saranno utilizzati per accedere alla configurazione via web e per associare il dispositivo al VMS.

La password può contenere solo i seguenti caratteri (a-z, A-Z, 0-9, ,\_-+@%/(-)^\*[]{}#;~).

Alcune telecamere potrebbero non supportare il set di caratteri sopra riportato.

Nel caso la telecamera abbia l'ottica integrata è necessario rimuovere tutti i preset dalla telecamera prima dell'installazione nel brandeggio.

## 7 Assemblaggio

### 7.1 Caratteristiche delle telecamere

- Si possono montare solo telecamere con porta di comunicazione Ethernet di tipo 100 baseTx.
- Si possono montare solo telecamere munite di morsetto di alimentazione. Il brandeggio non è in grado di fornire alimentazione alla telecamera tramite il cavo Ethernet (Power over Ethernet).
- La tensione di alimentazione dalla telecamera deve essere 12Vdc.
- La corrente massima assorbita dalla telecamera deve essere inferiore al valore indicato di seguito: 1.5A.

### 7.2 Fissaggio del tettuccio

Fissare il tettuccio alla custodia utilizzando viti e rondelle avvitate sul corpo superiore della custodia.

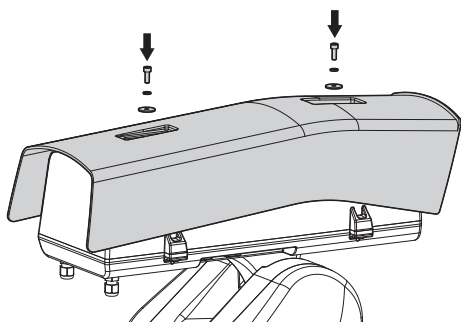


Fig. 6

Si raccomanda di fissare il tettuccio il più avanti possibile in modo da evitare il riflesso del sole e gocce d'acqua.

### 7.3 Montaggio telecamera e ottiche motorizzate

Il montaggio della telecamera e dei relativi obiettivi è a cura del cliente.

#### 7.3.1 Apertura della custodia

Svitare le 2 viti poste sul fianco, far ruotare tettuccio e corpo superiore attorno all'asse delle cerniere di apertura.

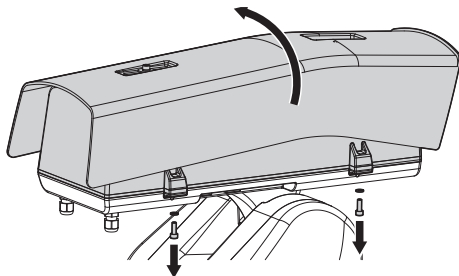


Fig. 7



**PERICOLO!**

Pericolo di natura meccanica.

Rischio di schiacciamento o cesoiamento.

### 7.3.2 Installazione della telecamera

La telecamera e le ottiche devono essere installate all'interno della custodia utilizzando l'apposita slitta (utilizzare le viti e le rondelle fornite in dotazione). La slitta si compone di due parti, la slitta principale (01) e la slitta per telecamere (02).

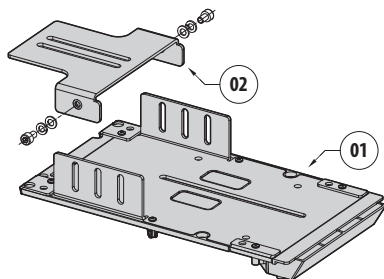


Fig. 8

Assemblare l'ottica e la telecamera. Se l'ottica è di tipo C e la telecamera di tipo CS è necessario utilizzare un distanziale.

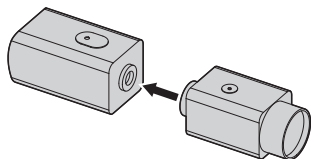


Fig. 9

Avvitare parzialmente la vite da 1/4" della telecamera in modo da permettere la regolazione della slitta della telecamera. La slitta della telecamera può essere montata in differenti posizioni. A seconda della posizione della slitta della telecamera, sfruttare una delle due asole per fissare la telecamera. Per una tenuta ottimale utilizzare le rondelle piane e Grower.

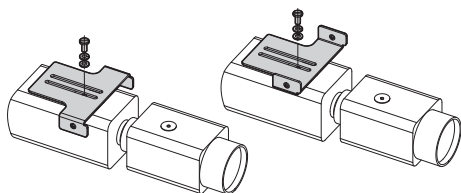


Fig. 10

A seconda della forma o della dimensione dell'ottica potrebbe essere necessario l'uso del distanziale. Allineare il foro del distanziale con il foro dell'ottica.

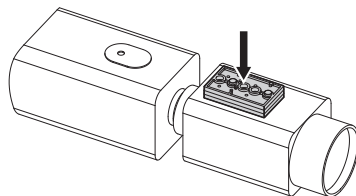


Fig. 11

Svitare le viti per rimuovere la slitta principale dal corpo della custodia.

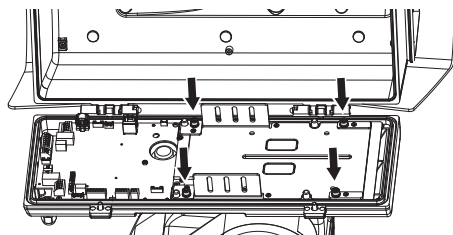


Fig. 12

Posizionare sulla slitta principale la telecamera, l'ottica e la slitta della telecamera precedentemente assemblate. Avvitare parzialmente la vite da 1/4" dell'ottica, in modo da permettere la regolazione sulla slitta principale. Per una tenuta ottimale utilizzare le rondelle piane e Grower.

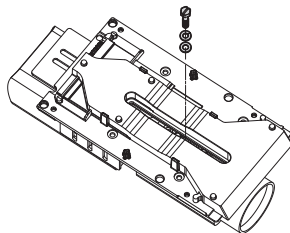
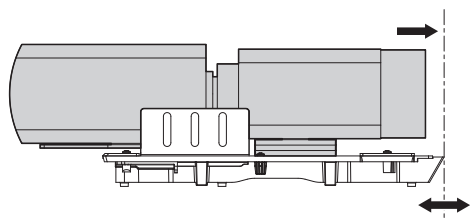


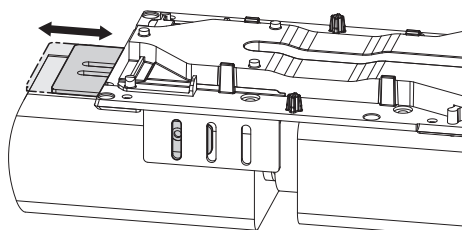
Fig. 13

Allineare il bordo dell'ottica con il bordo della slitta.



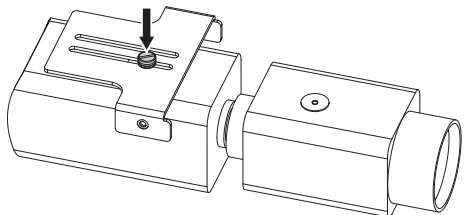
**Fig. 14**

Una volta allineati i bordi, senza muovere il blocco della telecamera e dell'ottica, far scivolare la slitta della telecamera in corrispondenza di una delle 3 asole presenti sulla slitta principale.



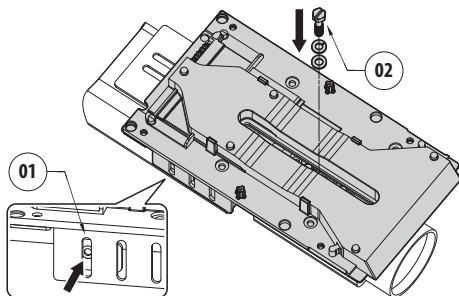
**Fig. 15**

Una volta raggiunta la posizione ottimale, rimuovere la slitta principale (facendo attenzione a non perdere la posizione) e fissare la vite da 1/4".



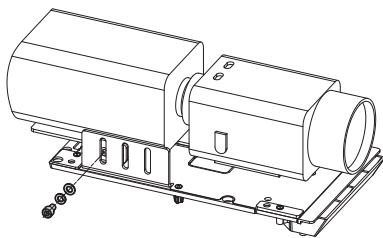
**Fig. 16**

Riposizionare la slitta principale sul blocco telecamera/ottica/slitta. Far coincidere il foro della slitta telecamera con l'asola della slitta principale scelta precedentemente (01). Avvitare parzialmente le viti della slitta telecamera (viti e rondelle fornite in dotazione). Per una tenuta ottimale utilizzare le rondelle piane e Grower. Fissare la vite da 1/4" dell'ottica (02).



**Fig. 17**

Avvitare completamente le viti della slitta telecamera.



**Fig. 18**



**Prestare attenzione durante il fissaggio.  
Coppia di serraggio: 2.1Nm.**



Posizionare la telecamera nella custodia e fissarla usando le viti e le rondelle.

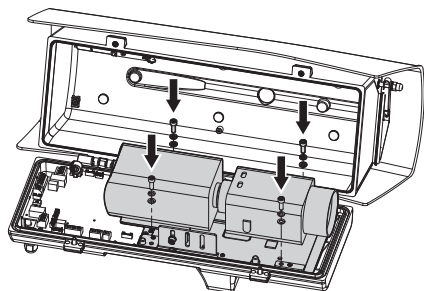


Fig. 19

**⚠ Prestare attenzione durante il fissaggio. Coppia di serraggio: 2.1Nm.**

## 7.4 Collegamento della telecamera e dell'ottica motorizzata

**⚠ Prima di procedere ai collegamenti, verificare che le tensioni fornite dalla scheda rientrino nei limiti previsti per l'apparecchiatura.**

La scheda elettronica è predisposta per poter controllare telecamere con ottiche motorizzate, dotate o meno di potenziometri per il controllo della posizione raggiunta.

## 7.4.1 Descrizione della scheda della custodia

| DESCRIZIONE DELLA SCHEDA |  |
|--------------------------|--|
| Componente               | Funzione   |
| J4                       | Non utilizzato   |
| J5                       | RS-485 (ottica)  |
| J6                       | Letture dei potenziometri dell'ottica  |
| J7                       | Alimentazione dei motori dell'ottica, One Push AF  |
| J8                       | Alimentazione dei motori dell'ottica, One Push AF, lettura dei potenziometri dell'ottica           |
| J9                       | Visible cut filter   |
| J10                      | Alimentazione e controllo (telecamera integrata)   |
| J11                      | Alimentazione e controllo (illuminatore Slave)   |
| J12                      | Diagnostica della scheda   |
| J13                      | RS-485 (telecamera)  |
| J14                      | Alimentazione della telecamera, ingresso allarme della telecamera, uscita allarme della telecamera |
| J15                      | Alimentazione e controllo (illuminatore Master)  |
| J16                      | Vetro riscaldato   |
| J17                      | Tergicristallo   |
| J18                      | Ethernet   |
| DIP2                     | Voltaggio delle ottiche  |
| DIP3                     | Configurazione della custodia  |
| LD7                      | Stato dell'alimentatore interno (5V)   |
| LD8                      | Stato dell'alimentatore interno (3,3V)   |
| LD9                      | Stato del firmware   |
| LD10                     | Stato dell'alimentazione della telecamera  |
| LD11                     | Stato dell'alimentatore interno (12V)  |
| LD12                     | Stato dell'alimentatore PoE  |

Tab. 1

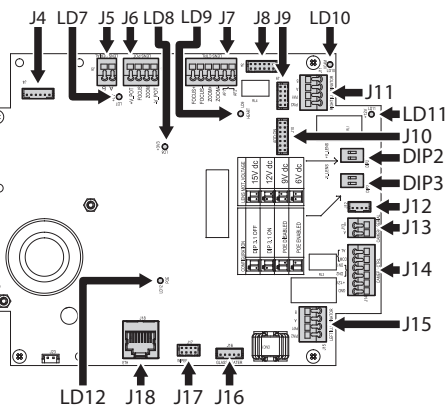


Fig. 20

## 7.4.2 Valori nominali massimi della telecamera e dell'ottica motorizzata

I valori nominali massimi sono riportati nella seguente tabella.

| VALORI NOMINALI MASSIMI DELLA TELECAMERA E DELL'OTTICA MOTORIZZATA |                        |                                     |
|--|------------------------|-------------------------------------|
| Tensione   | Corrente               | Descrizione                         |
| +12V   | 1500mA max             | Alimentazione della telecamera      |
| +5V  | 15mA max               | Alimentazione potenziometri ottiche |
| da 6Vdc a 15Vdc (regolabile)                                       | 200mA max (Focus+Zoom) | Alimentazione motori ottiche        |

Tab. 2

## 7.4.3 Collegamento della telecamera di rete

Collegare l'alimentazione, la linea dati e gli allarmi (opzionali) della telecamera come illustrato in figura. Nel caso il brandeggio venga controllato con la modalità Camera Master, collegare la linea seriale di controllo RS-485 (8.3 Selezione della modalità operativa dell'unità, pagina 25).

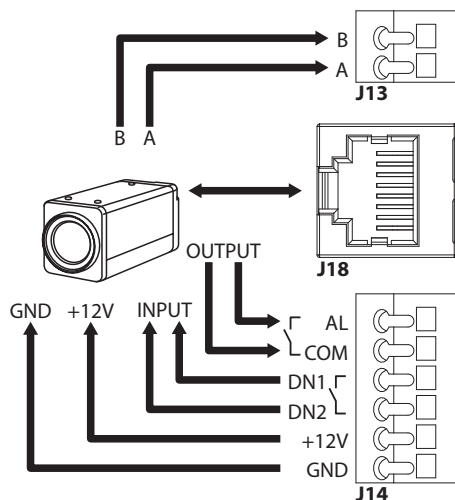


Fig. 21

Il LED LD10 acceso indica che nel morsetto di alimentazione della telecamera è presente la tensione di 12Vdc.

Il sistema rileva la temperatura ambiente in fase di accensione. Il sistema non permette alla telecamera di accendersi finché non viene raggiunta la temperatura minima di funzionamento (Cold Start).

Quando gli illuminatori sono accesi, i morsetti DN1 e DN2 sono usati per forzare la modalità Notturna della telecamera.

Nella modalità Camera Master i morsetti AL e COM sono usati per trasmettere lo stato dell'allarme della telecamera al relè della base del brandeggio (RL1A, RL1B, 8.2.3.2 Collegamento degli ingressi di allarme, dell'interruttore crepuscolare e dei relè, pagina 24).

**i** **Raggruppare il cavo in eccesso per evitare interferenze con il funzionamento del tergicristallo (nelle versioni che ne sono equipaggiate).**

## 7.4.4 Collegamento delle ottiche motorizzate controllate in tensione

Tutte le opzioni di configurazione devono essere impostate nel relativo capitolo (10.3.2 Pagina Configurazione Hardware, pagina 33).

### 7.4.4.1 Collegamento delle ottiche con motori ad inversione di polarità

Se i motori dell'ottica sono a inversione di polarità utilizzare il seguente schema di collegamento.

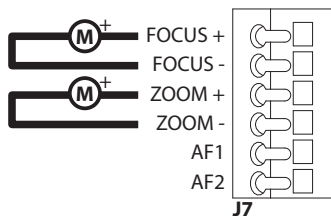


Fig. 22

### 7.4.4.2 Collegamento delle ottiche con motori a filo comune

Se i motori dell'ottica sono a filo comune utilizzare il seguente schema di collegamento.

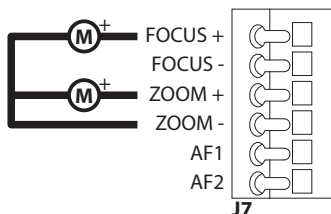


Fig. 23

### 7.4.4.3 Regolazione della tensione di alimentazione dei motori delle ottiche

Prima di alimentare il brandeggio, selezionare la tensione di alimentazione delle ottiche agendo sul DIP switch di voltaggio delle ottiche (DIP2, 7.4.1 Descrizione della scheda della custodia, pagina 17).

| REGOLAZIONE DELLA TENSIONE DI ALIMENTAZIONE DEI MOTORI DELLE OTTICHE |     |          |
|--|-----|----------|
| SW1  | SW2 | Tensione |
| OFF  | OFF | 15Vdc    |
| ON   | OFF | 12Vdc    |
| OFF  | ON  | 9Vdc     |
| ON   | ON  | 6Vdc     |

Tab. 3

### 7.4.4.4 Collegamento dei potenziometri

Eseguire le connessioni come illustrato in figura.

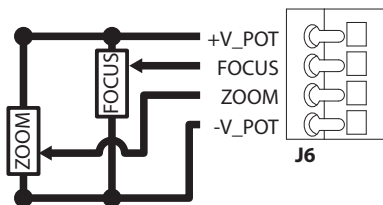


Fig. 24

### 7.4.4.5 One Push Autofocus

Alcuni tipi di ottiche motorizzate sono in grado di gestire l'autofocus.

Eseguire le connessioni come illustrato in figura.

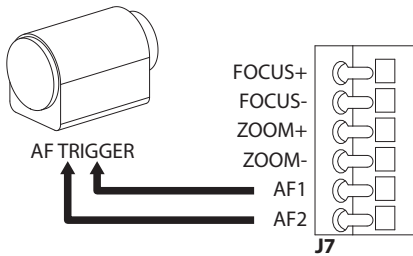


Fig. 25

### 7.4.5 Collegamento delle ottiche motorizzate controllate tramite linea seriale

Alcuni tipi di ottiche motorizzate possono essere controllati via linea seriale RS-485.

Eseguire le connessioni come illustrato in figura.

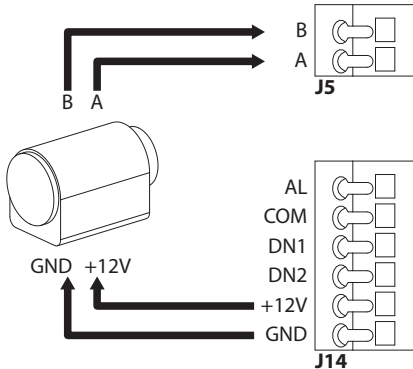


Fig. 26

### 7.4.6 Installazione del modulo telecamera visibile (opzionale)

Smontare la slitta presente nella custodia e fissarla al modulo telecamera. Utilizzare le viti e le rondelle fornite in dotazione.

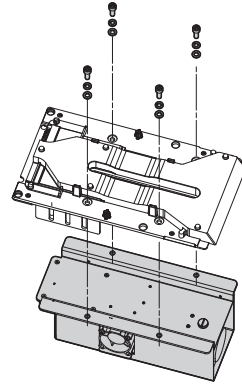


Fig. 27

Posizionare la slitta nella custodia e fissarla con le viti precedentemente smontate.

Sulla scheda custodia sono presenti due connettori che permettono di alimentare e comunicare con la telecamera (J10, J18, 7.4.1 Descrizione della scheda della custodia, pagina 17). Collegare la telecamera con i 2 cavi forniti in dotazione.

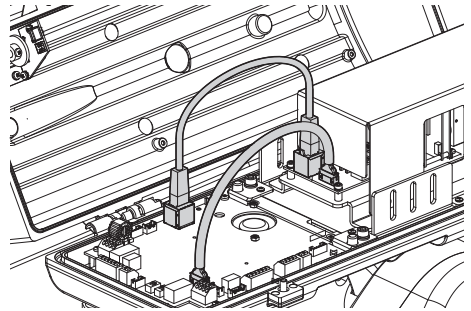


Fig. 28

Configurare il tipo telecamera (CAMHD30X, 10.3.2 Pagina Configurazione Hardware, pagina 33).

### 7.4.7 Installazione del corpo superiore della custodia con vetro riscaldato antighiaccio e tergicristallo (opzionale)

Scollegare il cavo di alimentazione del tergicristallo. Smontare il corpo superiore della custodia svitando le viti. Far ruotare leggermente la parte superiore della custodia per facilitare la rimozione delle viti della cerniera.

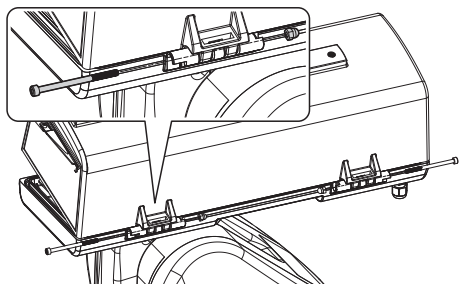


Fig. 29

Montare il nuovo corpo superiore utilizzando le viti precedentemente rimosse.

**⚠ Prestare attenzione durante il fissaggio. Coppia di serraggio: 1.2Nm.**

Sulla scheda custodia sono presenti due connettori che permettono di alimentare il vetro riscaldato e il tergicristallo (J16, J17, 7.4.1 Descrizione della scheda della custodia, pagina 17). Collegare i 2 cavi del corpo superiore della custodia ai 2 connettori della scheda custodia.

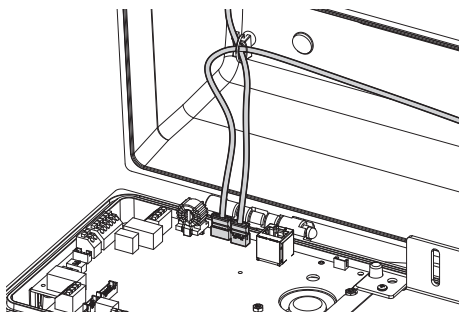


Fig. 30

Abilitare la gestione del vetro riscaldato (10.3.2 Pagina Configurazione Hardware, pagina 33).

### 7.4.8 Chiusura della custodia

Al termine delle operazioni di installazione e cablaggio richiudere il prodotto.

Controllare che sia presente e in buono stato la guarnizione della custodia.

**⚠ Prestare attenzione durante il fissaggio. Coppia di serraggio: 6Nm.**

## 8 Installazione

**⚠ Non effettuare per nessun motivo alterazioni o collegamenti non previsti in questo manuale. Il mancato rispetto delle indicazioni fornite nel manuale in merito ai collegamenti può portare a gravi pericoli per la sicurezza del personale e dell'impianto.**

**⚠ Non modificare i cablaggi già presenti nel prodotto. Il mancato rispetto di questa indicazione può portare a gravi pericoli per la sicurezza del personale e dell'impianto, oltre a far decadere la garanzia.**

### 8.1 Fissaggio della base al supporto

Rimuovere la base dall'unità.

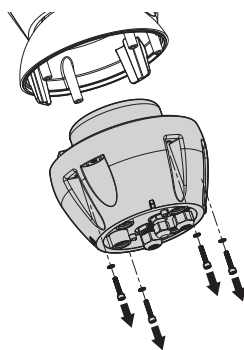


Fig. 31

Aprire lo sportellino svitando le viti come illustrato in figura.

Introdurre i cavi all'interno dei pressacavi tenendo la base a circa 20cm dal supporto.

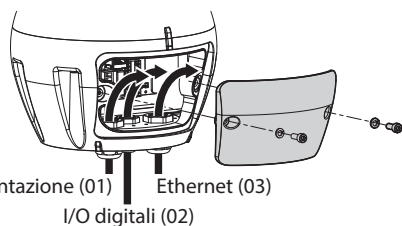


Fig. 32

Utilizzare cavi di alimentazione (01) e cavi di rete Ethernet (03) di diametro compreso tra 5mm e 13mm. Se il cavo di rete Ethernet è già provvisto di connettore si deve utilizzare l'apposita guarnizione fornita in dotazione.

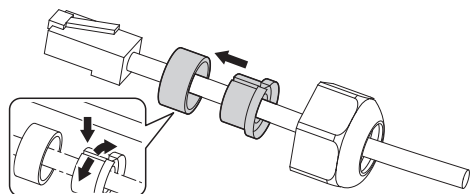


Fig. 33

**⚠ Prestare attenzione durante il fissaggio.  
Coppia di serraggio: 2.7Nm.**

Utilizzare un cavo per gli I/O digitali (02) di diametro compreso tra 5mm e 10mm (per diametri compresi tra 3mm e 7mm utilizzare l'apposita guarnizione).

**⚠ Prestare attenzione durante il fissaggio.  
Coppia di serraggio: 2Nm.**

Dopo aver posizionato la guarnizione (01), fissare la base (02) sul supporto (03) utilizzando le viti (04), le rondelle dentellate (05) e gli anelli per vite (06).

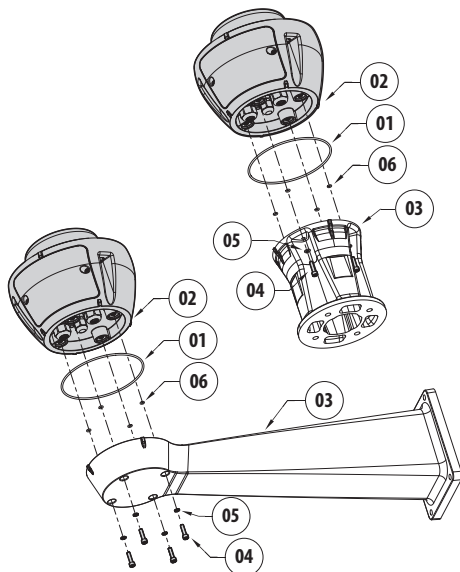


Fig. 34

**⚠ Utilizzare le viti e le rondelle fornite con il supporto.**

**⚠ Applicare del frenafiletto nei fori delle viti (Loctite 243®).**

**⚠ Prestare attenzione durante il fissaggio.  
Coppia di serraggio: 6Nm.**

## 8.2 Collegamento del brandeggio all'impianto

### 8.2.1 Descrizione della scheda connettori

| DESCRIZIONE DELLA SCHEDA |  |
|--------------------------|--|
| Componenti               | Funzione   |
| J1                       | Linea di alimentazione   |
| J2                       | Ethernet   |
| J3                       | I/O digitali   |
| DIP1                     | Selezione delle modalità Master, ripristino delle impostazioni di fabbrica     |
| F1                       | Fusibile della linea di alimentazione  |
| F2                       | Fusibile dell'alimentazione dell'elettronica del brandeggio                    |
| F3                       | Fusibile di alimentazione degli illuminatori                                   |
| LD1, LD3                 | Stato della linea Ethernet (collegamento e attività)                           |
| LD2                      | Stato del firmware   |
| LD4, LD5                 | Stato della linea di comunicazione con la telecamera (collegamento e attività) |
| LD6                      | Stato dell'alimentazione   |

Tab. 4

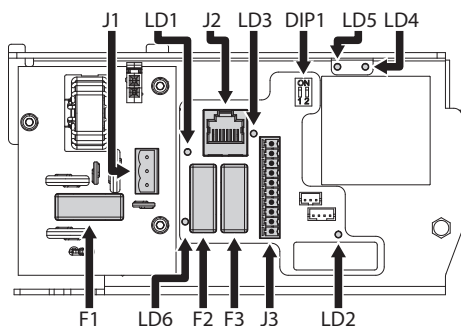


Fig. 35

### 8.2.2 Collegamento della linea di alimentazione

A seconda della versione, al dispositivo possono essere fornite diverse tensioni di alimentazione. Il valore di tensione di alimentazione è riportato nell'etichetta identificativa del prodotto (4.3 Marcatura del prodotto, pagina 11).



**Eseguire le connessioni elettriche in assenza di alimentazione e con dispositivo di sezionamento aperto.**



**All'atto dell'installazione controllare che le caratteristiche di alimentazione fornite dall'impianto corrispondano a quelle richieste dal dispositivo.**



**Verificare che la sorgente e il cavo di alimentazione siano adeguatamente dimensionati.**



**Il cavo di terra deve essere più lungo degli altri due di circa 10mm per prevenirne il distacco accidentale a causa dello stiramento.**

Tagliare a misura i cavi e realizzare i collegamenti. Collegare la linea di alimentazione al connettore.

Il cavo di alimentazione deve essere coperto con la guaina silconica (01) presente nella dotazione. La guaina silconica deve essere fissata con l'apposita fascetta (02).

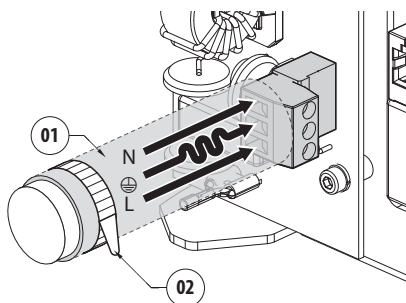


Fig. 36

Effettuare i collegamenti secondo quanto descritto nella tabella.

| COLLEGAMENTO DELLA LINEA DI ALIMENTAZIONE |            |
|---|------------|
| Colore                                    | Morsetto   |
| <b>Alimentazione 230Vac</b>               |            |
| Blu                                       | N (Neutro) |
| Giallo/Verde                              | ⊕          |
| Marrone                                   | L (Fase)   |
| <b>Alimentazione 120Vac</b>               |            |
| Blu                                       | N (Neutro) |
| Giallo/Verde                              | ⊕          |
| Marrone                                   | L (Fase)   |
| <b>Alimentazione 24Vac</b>                |            |
| Definito dall'installatore                | N (Neutro) |
| Giallo/Verde                              | ⊕          |
| Definito dall'installatore                | L (Fase)   |

Tab. 5

Il connettore rimovibile è fornito in dotazione.

## 8.2.3 Collegamento dei cavi di segnale

**⚠ Tutti i cavi di segnale devono essere raggruppati con una fascetta.**

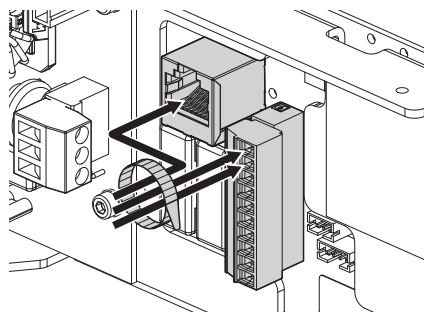


Fig. 37

### 8.2.3.1 Collegamento del cavo di rete Ethernet

Si raccomanda l'utilizzo di cavi Ethernet con le seguenti caratteristiche: STP (schermato), Categoria 5E (o superiore).

Collegare il cavo Ethernet al relativo connettore (J2, 8.2.1 Descrizione della scheda connettori, pagina 23).

### 8.2.3.2 Collegamento degli ingressi di allarme, dell'interruttore crepuscolare e dei relè

La lunghezza massima del cavo per ogni allarme è di 200m. Utilizzare cavi schermati.

Collegare il cavo degli I/O digitali al relativo connettore (J3, 8.2.1 Descrizione della scheda connettori, pagina 23).

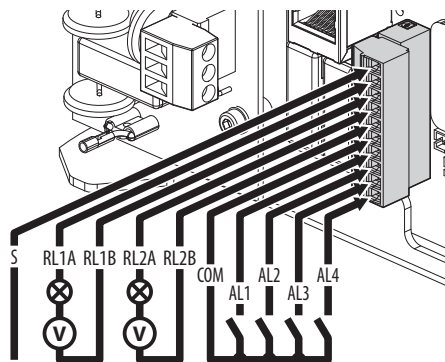


Fig. 38

| COLLEGAMENTO DEGLI INGRESSI DI ALLARME, DELL'INTERRUTTORE CREPUSCOLARE E DEI RELÈ |   |
|---|---|
| Morsetti  | Descrizione   |
| S   | Calza del cavo schermato  |
| RL1A, RL1B, RL2A, RL2B  | Contatti puliti di uscita attivabili da allarme o da comando utente |
| AL1, AL2, AL3, AL4 e COM  | Ingressi di allarme auto-alimentati riferiti al morsetto comune     |

Tab. 6

Il dispositivo può essere dotato di un interruttore crepuscolare esterno. In base alla luce rilevata, l'interruttore crepuscolare permette l'attivazione automatica della modalità Notturna. Collegare l'interruttore crepuscolare all'ingresso di allarme indicato: AL4. Per la configurazione della modalità Notturna fare riferimento al relativo capitolo (10.3.17 Pagina Modalità Notturna, pagina 44).

Il dispositivo può essere dotato di impianto di lavaggio come accessorio (11.1 Impianto di lavaggio, pagina 50). Collegare il cavo del segnale di attivazione della pompa al relè indicato: RL2A, RL2B.



## 8.3 Selezione della modalità operativa dell'unità

All'interno della base è presente un DIP switch che permette di configurare la modalità Master Selection e Factory default (DIP1, 8.2.1 Descrizione della scheda connettori, pagina 23).

| SELEZIONE DELLA MODALITÀ OPERATIVA DELL'UNITÀ (DIP1) |      |      |               |
|--|------|------|---------------|
| Funzione   | SW 1 | SW 2 | Descrizione   |
| Master Selection                                     | ON   | -    | PTZ Master    |
|  | OFF  | -    | Camera Master |
| Factory Default                                      | -    | ON   | Abilitato     |
|  | -    | OFF  | Disabilitato  |

Tab. 7

Per la configurazione della funzione Master Selection fare riferimento al relativo capitolo (8.3.1 Descrizione della modalità Master Selection, pagina 25).

Per la configurazione della funzione Factory Default fare riferimento al relativo capitolo (8.3.2 Descrizione della procedura di Factory Default, pagina 26).

### 8.3.1 Descrizione della modalità Master Selection

Il sistema può essere interfacciato a un VMS (Video Management System) in due diversi modi:

**PTZ Master:** Il VMS interagisce sempre con la CPU del brandeggio attraverso il protocollo ONVIF. Con questa configurazione la telecamera è controllata dalla CPU del brandeggio tramite il protocollo ONVIF.

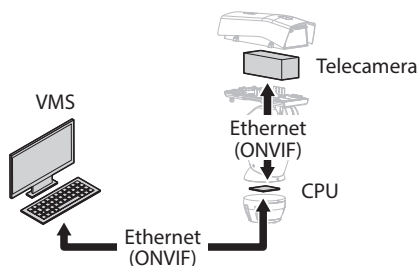


Fig. 39

**Camera Master:** Il VMS interagisce sempre con la telecamera attraverso il driver specifico. Con questa configurazione la telecamera controlla il brandeggio attraverso la linea seriale RS-485.

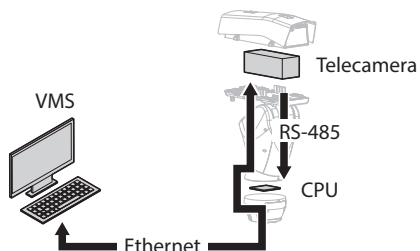


Fig. 40

Il brandeggio può essere configurato tramite la pagina web. Le credenziali predefinite per l'accesso al dispositivo sono: Username: admin, Password: admin. Con questa configurazione il protocollo ONVIF della porta Ethernet del brandeggio non è attivo.

#### Lista dei comandi seriali supportati:

- Movimentazione PTZ
- Salvataggio, richiamo e cancellazione Preset
- AUX-3-ON/OFF: Tergicristallo ON/OFF
- AUX-4-ON: Impianto di lavaggio
- AUX-5-ON/OFF: Modalità Diurna/Notturna
- AUX-6-ON/OFF: Relè 1 ON/OFF
- AUX-7-ON/OFF: Relè 2 ON/OFF
- RUN-PATTERN 0: Patrol
- RUN-PATTERN 1: Autopan

### 8.3.2 Descrizione della procedura di Factory Default

Se la password di accesso non è più disponibile, è possibile ripristinare le impostazioni di fabbrica tramite la procedura di reset.

- Spegnerne l'unità.
- Aprire lo sportellino dei connettori.
- Localizzare il DIP-switch 1. Portare lo switch 2 su ON.
- Chiudere lo sportellino dei connettori.
- Alimentare l'unità.
- Attendere 60 secondi.
- Spegnerne l'unità.
- Aprire lo sportellino dei connettori.
- Portare lo switch 2 su OFF.
- Chiudere lo sportellino dei connettori.
- Alimentare l'unità.

Se la telecamera installata è di terze parti sarà anche necessario eseguire la procedura di Factory Default specificata dal produttore della telecamera.

### 8.4 Chiusura dello sportellino dei connettori

Riposizionare lo sportellino dei connettori facendo attenzione a non schiacciare i cavi durante la chiusura.

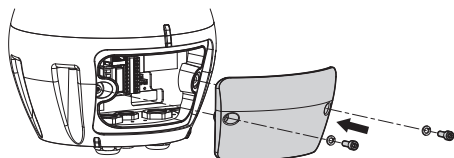


Fig. 41



**Prestare attenzione durante il fissaggio.**  
Coppia di serraggio: 6Nm.

### 8.5 Installazione della memory card

È possibile equipaggiare l'unità di una memory card di tipo micro SD. Nella memory card è possibile effettuare un backup di tutte le configurazioni e del log di sistema per facilitare la manutenzione o la sostituzione in caso di malfunzionamento. Per ulteriori informazioni fare riferimento al relativo capitolo (10.3.22 Pagina Strumenti, pagina 49).

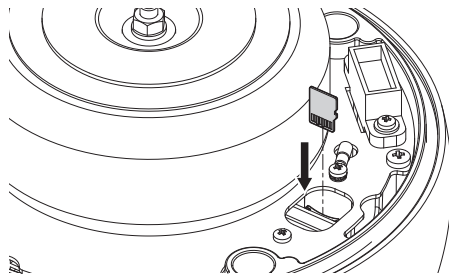


Fig. 42

Il sistema è in grado di gestire micro SD fino a 4GB.

Memory card testate:

- Panasonic RP-SMKC04DE1 (4GB, -40/+85°C)
- Swissbit SFSD2048N1BW1MT-I-ME-111-STD (2GB, -40/+85°C)

## 8.6 Fissaggio del corpo superiore

Posizionare il corpo dell'unità sulla base allineando le tacche di riferimento. Inserire le colonnine anti-ribaltamento del corpo dell'unità nei fori della base. Prestare particolare attenzione a non danneggiare i componenti interni durante l'installazione.

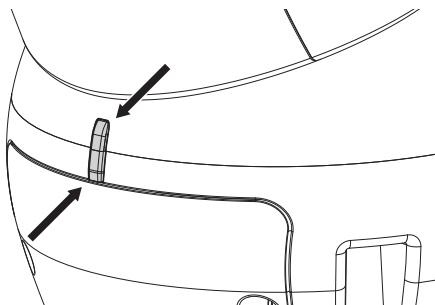


Fig. 43

Fissare il corpo superiore alla base tramite le viti di fissaggio. Controllare che sia presente e in buono stato la guarnizione della base.

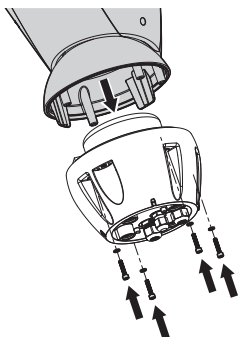


Fig. 44

**!** Prestare attenzione durante il fissaggio.  
Coppia di serraggio: 6Nm.

## 8.7 Montaggio degli illuminatori a LED (opzionali)

**!** Per un corretto funzionamento si devono sempre installare entrambi gli illuminatori.

**i** Sul brandeggio è possibile installare esclusivamente illuminatori VIDEOTEC.

### 8.7.1 Montaggio della staffa

Posizionare la staffa (01) sulla parte inferiore della custodia come illustrato in figura. Inserire le viti e le rondelle (02) nei fori (03) e serrarle.

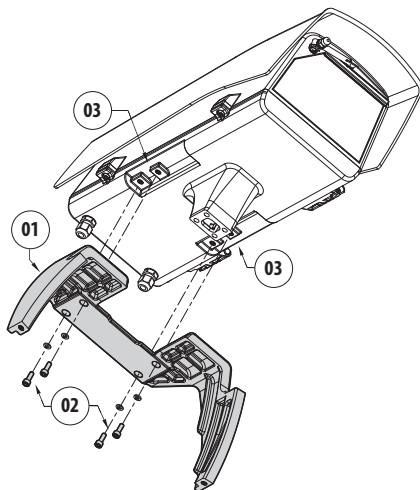


Fig. 45

**!** Prestare attenzione durante il fissaggio.  
Coppia di serraggio: 6Nm.

## 8.7.2 Montaggio dell'illuminatore sulla staffa

Posizionare i fissaggi dell'illuminatore (01) su quelli della staffa (02).

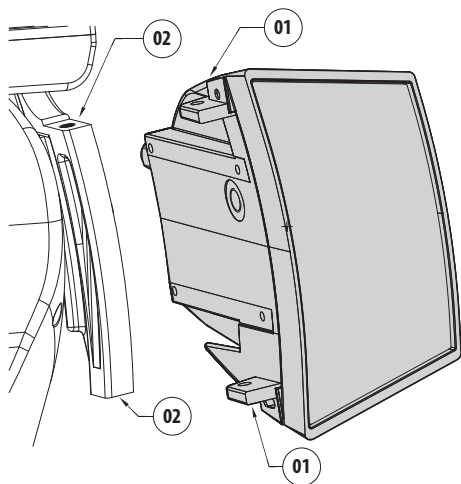


Fig. 46

Allineare gli illuminatori alla telecamera, in modo da disperdere meno luce possibile.

Avvitare le viti e le rondelle presenti nella dotazione dell'illuminatore.

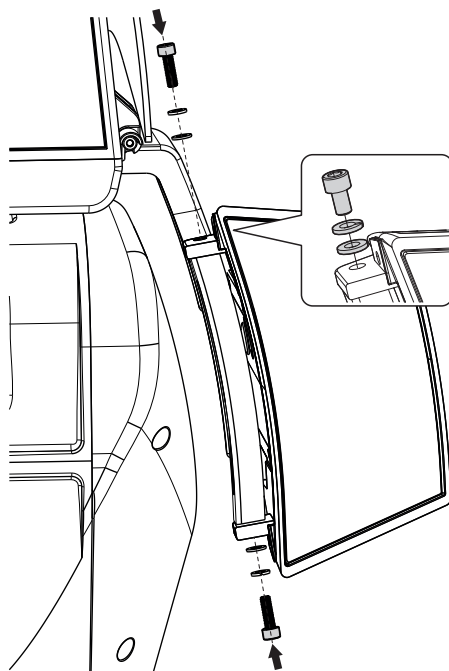


Fig. 47



**Prestare attenzione durante il fissaggio.  
Coppia di serraggio: 6Nm.**

## 8.8 Collegamento degli illuminatori a LED

Aprire la custodia come descritto nel relativo capitolo (7.3.1 Apertura della custodia, pagina 14).

Inserire i cavi di alimentazione per almeno 10cm attraverso i pressacavi. Serrare i pressacavi.

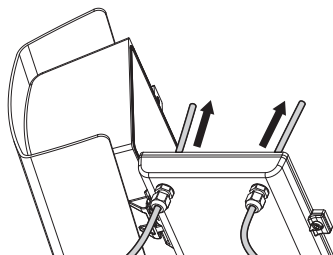


Fig. 48

**⚠ Per non compromettere la sicurezza e il funzionamento dell'unità non lasciare eccedenza di cavo all'esterno.**

**⚠ Prestare attenzione durante il fissaggio. Coppia di serraggio: 2Nm.**

Sulla scheda della custodia sono presenti due connettori che permettono il controllo degli illuminatori (J11, J15, 7.4.1 Descrizione della scheda della custodia, pagina 17).

Collegare i cavi come descritto in tabella.

| COLLEGAMENTO DEGLI ILLUMINATORI A LED |                 |                          |                 |
|---------------------------------------|-----------------|--------------------------|-----------------|
| Illuminatore Master (J15)             |                 | Illuminatore Slave (J11) |                 |
| Riferimento sulla scheda              | Colore del cavo | Riferimento sulla scheda | Colore del cavo |
| PW2                                   | Bianco          | PW2                      | Bianco          |
| PW1                                   | Nero            | PW1                      | Nero            |
| A                                     | Verde           | A                        | Verde           |
| B                                     | Rosso           | B                        | Rosso           |

Tab. 8

Chiudere la custodia come descritto nel relativo capitolo (7.4.8 Chiusura della custodia, pagina 21).

## 8.9 Regolazione e modalità di attivazione degli illuminatori a LED

Una volta effettuata la regolazione, l'illuminatore Master sincronizza e controlla l'illuminatore Slave.

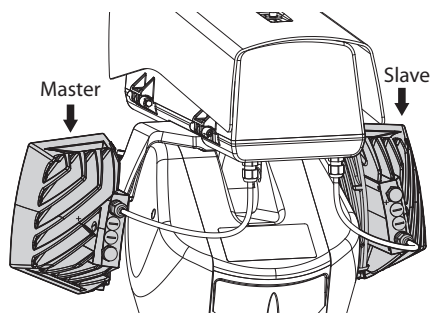


Fig. 49

L'interruttore crepuscolare rileva la luce ambientale e controlla l'accensione e lo spegnimento degli illuminatori quando la luminosità raggiunge il livello impostato dall'utilizzatore.

Quando gli illuminatori a LED sono attivi la telecamera passa in modalità Notturna tramite l'apposito comando ONVIF.

Se la telecamera non gestisce il comando ONVIF per il passaggio alla modalità Notturna, la sincronizzazione può comunque essere effettuata tramite l'apposito relè (DN1, DN2, 7.4.3 Collegamento della telecamera di rete, pagina 18).

## 8.9.1 Regolazione della soglia di accensione degli illuminatori a LED

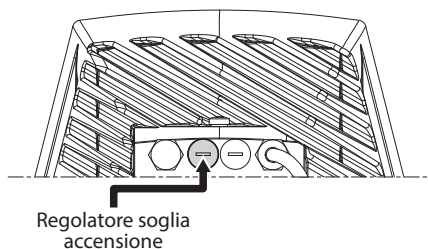


Fig. 50

L'illuminatore ha un sensore crepuscolare integrato che consente l'accensione e lo spegnimento automatico a condizioni luminose prestabilite.

La regolazione del sensore crepuscolare è effettuata in fabbrica ad un livello luminoso prefissato ed idoneo alla maggior parte delle installazioni (circa 50lx). Nel caso si voglia regolare in maniera diversa la soglia di intervento, svitare il tappo in metallo posizionato sul retro dell'illuminatore e provvedere alla regolazione tramite un cacciavite.

Ruotando il trimmer in senso orario la commutazione in modalità notturna è anticipata (ad un valore di luminosità maggiore). Ruotando il trimmer in senso antiorario la commutazione in modalità notturna è ritardata (ad un valore di luminosità inferiore).

Attendere le condizioni di luminosità adeguate per l'accensione dell'illuminatore. Ruotare lentamente il trimmer fino all'accensione del LED presente a lato del trimmer. Una volta oltrepassata la soglia di intervento (LED acceso), ruotare leggermente in senso opposto.

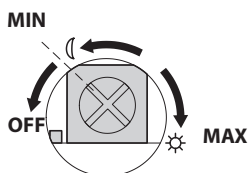


Fig. 51

**⚠ Al termine delle regolazioni accertarsi che il tappo di chiusura sia adeguatamente serrato per garantire la tenuta ermetica del prodotto.**

## 8.9.2 Regolazione della potenza degli illuminatori a LED

L'illuminatore è regolato in fabbrica per erogare la massima potenza. Qualora non servisse illuminare dettagli lontani o se l'immagine risultasse sovraesposta per l'eccessiva luminosità, diminuire la potenza, ottenendo inoltre un risparmio energetico.

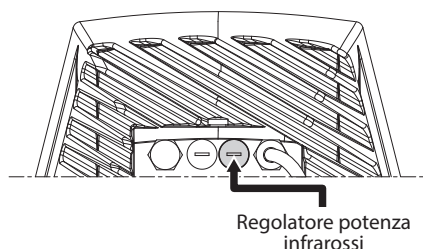


Fig. 52

Svitare il tappo di chiusura ermetica. Ruotare il trimmer in senso orario per aumentare la potenza degli infrarossi e in senso antiorario per diminuirla.



Fig. 53

**⚠ Al termine delle regolazioni accertarsi che il tappo di chiusura sia adeguatamente serrato per garantire la tenuta ermetica del prodotto.**

### 8.9.3 Attivazione degli illuminatori a LED tramite un interruttore crepuscolare esterno

Gli illuminatori a LED vengono attivati da un sensore crepuscolare esterno collegato a un ingresso di allarme.

Effettuare le seguenti operazioni:

- Collegare l'interruttore crepuscolare al connettore dei cavi di segnale (AL4, COM, 8.2.3.2 Collegamento degli ingressi di allarme, dell'interruttore crepuscolare e dei relè, pagina 24).
- Effettuare la regolazione dell'illuminatore Master:
  - **Soglia di accensione:** Impostare il valore su OFF.
  - **Potenza erogata:** Impostare il valore secondo necessità.
- Effettuare la regolazione dell'illuminatore Slave:
  - **Soglia di accensione:** Impostare il valore su OFF.
  - **Potenza erogata:** Impostare il valore secondo necessità.
- Impostare il Sensore di Luminosità su: ESTERNO ( 10.3.17 Pagina Modalità Notturna, pagina 44).

### 8.9.4 Attivazione degli illuminatori a LED tramite il sensore crepuscolare integrato

Gli illuminatori a LED sono dotati di un sensore crepuscolare interno.

Con questa modalità di attivazione non è possibile forzare la modalità Notte o controllare l'illuminatore Slave.

Effettuare le seguenti operazioni:

- Effettuare la regolazione dell'illuminatore Master:
  - **Soglia di accensione:** Impostare il valore secondo necessità.
  - **Potenza erogata:** Impostare il valore secondo necessità (dal 50% al 100%).
- Effettuare la regolazione dell'illuminatore Slave:
  - **Soglia di accensione:** Impostare il valore al massimo.
  - **Potenza erogata:** Impostare il valore al minimo.
- Impostare il Sensore di Luminosità su: ILLUMINATORI (10.3.17 Pagina Modalità Notturna, pagina 44).

### 8.9.5 Attivazione degli illuminatori a LED tramite la telecamera

Gli illuminatori a LED vengono attivati in base alla rilevazione della luminosità della scena inquadrata dalla telecamera. Questa modalità di funzionamento è possibile solo se l'unità è dotata di telecamera integrata (11.6 Modulo telecamera visibile, pagina 51).

Effettuare le seguenti operazioni:

- Effettuare la regolazione dell'illuminatore Master:
  - **Soglia di accensione:** Impostare il valore su OFF.
  - **Potenza erogata:** Impostare il valore secondo necessità.
- Effettuare la regolazione dell'illuminatore Slave:
  - **Soglia di accensione:** Impostare il valore su OFF.
  - **Potenza erogata:** Impostare il valore secondo necessità.
- Impostare il Sensore di Luminosità su: TELECAMERA (10.3.17 Pagina Modalità Notturna, pagina 44).

### 8.9.6 Attivazione manuale degli illuminatori a LED

Gli illuminatori a LED vengono attivati via pagina web o comando ONVIF.

Effettuare le seguenti operazioni:

- Effettuare la regolazione dell'illuminatore Master:
  - **Soglia di accensione:** Impostare il valore su OFF.
  - **Potenza erogata:** Impostare il valore secondo necessità.
- Effettuare la regolazione dell'illuminatore Slave:
  - **Soglia di accensione:** Impostare il valore su OFF.
  - **Potenza erogata:** Impostare il valore secondo necessità.
- Impostare il Sensore di Luminosità su: NESSUNO ( 10.3.17 Pagina Modalità Notturna, pagina 44).

## 9 Accensione



Assicurarsi che l'unità e gli altri componenti dell'impianto siano chiusi in modo idoneo a impedire il contatto con componenti sotto tensione.



Durante il normale funzionamento la superficie dell'illuminatore può raggiungere temperature elevate. Evitare il contatto diretto e posizionare l'apparecchiatura in luogo non accessibile al personale non autorizzato. Per qualunque operazione di manutenzione spegnere il dispositivo d'illuminazione e lasciarlo raffreddare per almeno 10 minuti.



Non sostare nei pressi del dispositivo quando alimentato. Agire sul dispositivo solo in assenza di alimentazione.



Accertarsi che tutte le parti siano fissate in maniera solida ed affidabile.



La procedura di preriscaldamento automatico (De-Ice) si potrebbe attivare tutte le volte che il dispositivo viene acceso ad una temperatura ambiente inferiore a 0°C. La procedura serve a garantire la corretta funzionalità del dispositivo anche alle basse temperature. La durata varia a seconda delle condizioni climatiche (da 60 minuti fino a 120 minuti).

Collegare l'alimentazione elettrica per accendere l'unità.

Scollegare l'alimentazione elettrica per spegnere l'unità.

## 10 Configurazione

### 10.1 Indirizzo IP di default



L'unità è configurata per ottenere l'indirizzo IP da un server DHCP.

L'indirizzo IP acquisito via DHCP è visibile nel file log del server DHCP.

Se il server DHCP non è disponibile, l'unità si configura automaticamente con un indirizzo IP autogenerato nella sottorete 169.254.0.0/16. Configurare l'indirizzo IP del PC come appartenente alla stessa sottorete (esempio: indirizzo IP: 169.254.1.1, subnet mask: 255.255.0.0). Se fallisce l'auto-assegnazione il sistema imposta automaticamente l'indirizzo <http://192.168.0.100>.

Per ricercare l'indirizzo IP del dispositivo usare un VMS compatibile ONVIF, l'applicazione ONVIF Device Manager o un network sniffer (IP scan utility).

### 10.2 Identificazione del MAC address

Il MAC address del dispositivo è riportato nell'etichetta, situata all'interno dello sportellino dei connettori della base, come illustrato in figura.

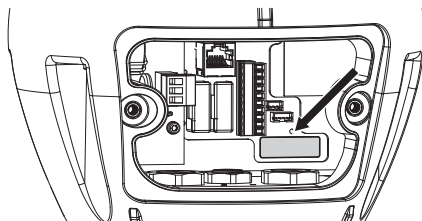


Fig. 54



## 10.3 Interfaccia web

**i** **Browser supportati: Microsoft Internet Explorer, Google Chrome, Mozilla Firefox.**

### 10.3.1 Primo accesso alle pagine web

La prima operazione per configurare il dispositivo consiste nel connettersi alla sua interfaccia web.

Per accedere all'interfaccia web del prodotto sarà sufficiente collegarsi con un browser all'indirizzo `http://indirizzo_ip`.

Per un corretto funzionamento, il brandeggio deve essere configurato in funzione della telecamera e degli accessori installati.

**i** **Il prodotto, con indirizzo IP autogenerato, non è in grado di trasmettere lo streaming video. Assicurarsi che il server DHCP sia raggiungibile o eventualmente impostare un indirizzo IP non appartenente alla classe "Link Local, 169.254.x.x/16" (10.3.6 Pagina Rete, pagina 39).**

Al primo accesso verrà visualizzata la pagina di configurazione dell'hardware descritta di seguito.

### 10.3.2 Pagina Configurazione Hardware

Alla voce del menu Configurazione Hardware è possibile configurare l'hardware dell'unità.

La visualizzazione di alcuni campi avviene in maniera dinamica a seconda della configurazione del sistema.

- **Tipo di Telecamera:** La modalità di comunicazione della telecamera (solo per modalità PTZ Master).
- **Tipo:** Tipologia di comunicazione verso la telecamera.
  - **NONE:** Il sistema alimenta la telecamera dopo il de-icing (il sistema non verifica se la telecamera risponde al ping).
  - **ONVIF CAMERA:** Il sistema si configura per poter comunicare con la telecamera ONVIF profilo S. Le credenziali di accesso al brandeggio saranno uguali al nome utente e password specificati per comunicare con la camera. Inserire il nome utente e la password per la comunicazione con la telecamera di terze parti. (6.5.3 Preconfigurazione della telecamera di terze parti, pagina 13). Il sistema alimenta la telecamera dopo il de-icing, verifica se questa risponde al ping e al protocollo ONVIF.
  - **CAMHD30X:** Il sistema si configura per poter comunicare con la telecamera integrata (11.6 Modulo telecamera visibile, pagina 51). Le credenziali predefinite per l'accesso al dispositivo sono: Username: admin, Password: admin.

- **Porta Seriale:** Tipologia di comunicazione per controllare il dispositivo.
- **Protocollo:** Protocollo di comunicazione.
- **Invio ACK:** Abilita l'invio dell'ACK ad ogni comando ricevuto.
- **Baudrate:** Imposta la velocità di comunicazione.
- **Tipo Seriale:** Tipo di linea seriale tramite la quale il prodotto riceve i comandi.
- **Data Bits:** Numero di bit di ogni pacchetto di dati.
- **Controllo Parità:** Modalità di controllo della coerenza dei dati.
- **Bit di Stop:** Numero di bit di stop di ogni pacchetto di dati.
- **Caratteristiche dell'Ottica:** Caratteristiche dell'ottica installata.
  - **Ottica:** Tipologia dell'ottica installata.
    - **NONE:** Nessuna ottica installata.
    - **FISSA:** Ottica con zoom e focus fissi.
    - **INTEGRATA:** Ottica controllata dalla telecamera.
    - **MOTORIZZATA INDIPENDENTE:** Ottica con motore a inversione di polarità.
    - **MOTORIZZATA FILO COMUNE:** Ottica con motore a filo comune.
    - **MOTORIZZATA 485:** Ottica controllata tramite seriale RS 485.
  - **Modello:** Seleziona il modello di ottica 485.
  - **Protocollo:** Seleziona il protocollo da utilizzare per comunicare con l'ottica.
- **Baudrate:** Seleziona il Baudrate da utilizzare per comunicare con l'ottica.
- **Tipo Seriale:** Seleziona la modalità di comunicazione con l'ottica.
- **Invio ACK:** Abilita l'attesa del ACK ad ogni messaggio inviato all'ottica.
- **Preset:** Specifica il numero massimo di Preset che l'ottica è in grado di gestire.
- **Fattore di Zoom:** Numero di ingrandimenti che possono essere raggiunti dall'ottica.
- **Polarità di Rotazione dello Zoom:** Inverte la rotazione dell'ottica durante lo Zoom.
- **Polarità di Rotazione del Focus:** Inverte la rotazione dell'ottica durante il Focus.
- **Ottica con Potenzimetri:** Presenza di potenziometri per la rilevazione della posizione di Zoom e Focus.
- **Trigger One-push Autofocus:** Determina il tipo di evento che attiva l'esecuzione dell'autofocus.
  - **MANUALE:** L'attivazione avviene solo da pagina web o comando ONVIF.
  - **MOVIMENTO PTZ+MANUALE:** L'attivazione avviene alla fine di ogni movimento di PAN-TILT o ZOOM, oppure da pagina web o comando ONVIF.
  - **DISABILITATO:** Funzione disabilitata.
- **Durata One-push Autofocus:** Imposta per quanto tempo l'autofocus rimane attivo.
- **Polarità One-push Autofocus:** Seleziona lo stato di default del relè dell'autofocus.

- **Accessori:** Presenza o meno di accessori installati nel dispositivo.
- **Tergicristallo:** Abilita il funzionamento del tergicristallo.
- **Illuminatori:** Abilita il funzionamento degli illuminatori. (11.3 Illuminatori a LED, pagina 50).
- **Vetro Riscaldato:** Abilita il funzionamento del vetro riscaldato. (11.7 Vetro riscaldato anti-ghiaccio, pagina 51).
- **Impianto di Lavaggio:** Abilita il funzionamento dell'impianto di lavaggio. (11.1 Impianto di lavaggio, pagina 50).

**Tipo di Telecamera**

Tipo: ONVIF CAMERA

Nome Utente: admin

Password: \*\*\*\*

Reinserire la Password: \*\*\*\*

**Caratteristiche dell'Ottica**

Ottica: MOTORIZZATA 485

Modello: GENERIC

Protocollo: PELCO D

Baudrate: 9600

Tipo Seriale: RS485 BIDIREZIONALE

Invio ACK: DISABILITATO

Preset: 250

Fattore di Zoom: 1

Trigger One-push Autofocus: MOVIMENTO PTZ + MANUALE

Durata One-push Autofocus (ms): 500

Polarità One-push Autofocus: NORMALMENTE APERTO

**Accessori**

Tergicristallo: PRESENTE

Illuminatori: PRESENTE

Vetro Riscaldato: NON PRESENTE

Impianto di Lavaggio: PRESENTE

RIVA

ANNULLA

**Fig. 55** PTZ Master.

**Porta Seriale**

Protocollo: PELCO D

Invio ACK: DISABILITATO

Baudrate: 2400

Tipo Seriale: RS485

Data Bit: 8

Controllo Parità: NONE

Bit di Stop: 1

**Caratteristiche dell'Ottica**

Ottica: MOTORIZZATA 485

Modello: GENERIC

Protocollo: PELCO D

Baudrate: 2400

Tipo Seriale: RS485 BIDIREZIONALE

Invio ACK: DISABILITATO

Preset: 1

Fattore di Zoom: 10

Trigger One-push Autofocus: MOVIMENTO PTZ + MANUALE

Durata One-push Autofocus (ms): 500

Polarità One-push Autofocus: NORMALMENTE APERTO

**Accessori**

Tergicristallo: PRESENTE

Illuminatori: PRESENTE

Vetro Riscaldato: NON PRESENTE

Impianto di Lavaggio: PRESENTE

RIVA

ANNULLA

**Fig. 56** Camera Master.

### 10.3.3 Pagina Home

Se il login viene effettuato con successo, verrà mostrata l'interfaccia di gestione del prodotto.

Nella pagina Home è possibile vedere lo stato del sistema, visualizzare lo snapshot della telecamera, muovere l'unità, controllare le ottiche e gli accessori, attivare i relè e monitorare lo stato degli ingressi di allarme.

#### 10.3.3.1 Snapshot del video

In questo spazio viene mostrata un'anteprima della ripresa che l'unità sta effettuando. La risoluzione dello snapshot e il suo frame-rate sono fissi e differiscono dalle reali caratteristiche del flusso video. Per visualizzare la qualità dello streaming del video è necessario utilizzare un VMS o l'ONVIF DEVICE MANAGER.



Fig. 57

#### 10.3.3.2 Stato del sistema

Durante lo startup, nello spazio dello snapshot, viene visualizzato lo stato del sistema.

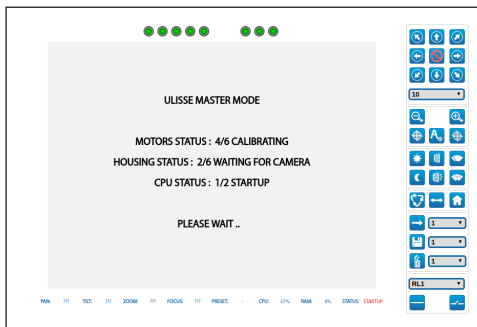


Fig. 58

Durante la modalità di funzionamento normale, la voce di menù Registro di Sistema, in caso di allarme attivo, appare evidenziata di colore giallo e affiancata da un segnale di attenzione.

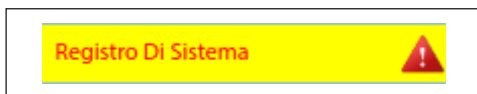


Fig. 59

### 10.3.3.3 Movimento orizzontale e verticale

La tastiera virtuale permette di muovere l'unità. Per impostare la velocità utilizzare il menù a tendina presente sotto la tastiera virtuale.

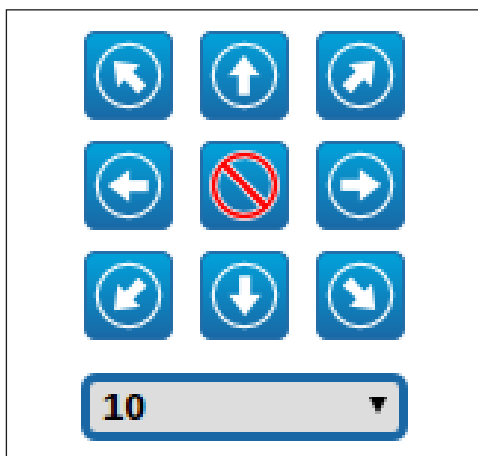


Fig. 60

L'unità può muoversi anche cliccando direttamente sullo snapshot nella direzione desiderata.



Fig. 61

### 10.3.3.4 Controllo delle ottiche

- **Zoom Wide/Zoom Tele**



Fig. 62

- **Focus Near/Focus Far/Autofocus:** L'Autofocus è disponibile solo con il modulo telecamera visibile o ottiche motorizzate provviste di autofocus.



Fig. 63

### 10.3.3.5 Controllo del tergicristallo e dell'impianto di lavaggio

- **Tergicristallo/Impianto di Lavaggio:** Per utilizzare l'impianto di lavaggio è necessario abilitarlo.



Fig. 64

### 10.3.3.6 Controllo della modalità Diurna/Notturna

- **Modalità Diurna/Modalità Notturna:** La Modalità Diurna spegne gli illuminatori e invia il comando per l'inserimento del filtro IR alla telecamera. La Modalità Notturna accende gli illuminatori e invia il comando per la rimozione del filtro IR alla telecamera.



Fig. 65

### 10.3.3.7 Controllo dell'illuminatore Slave

- **Off/On:** L'illuminatore Slave può essere acceso o spento manualmente.



Fig. 66

### 10.3.3.8 Gestione Preset

- **Vai a Preset/Salva Preset/Rimuovi Preset**

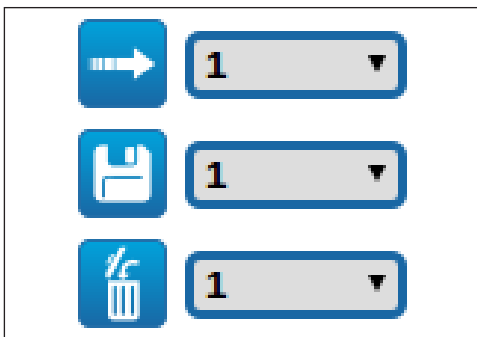


Fig. 67

- **Attiva Patrol:** La funzione di pattugliamento richiede siano stati salvati almeno 2 preset. Le velocità di movimento e i tempi di attesa possono essere configurati nel relativo capitolo(10.3.13 Pagina Preset (Avanzato), pagina 42).



Fig. 68

- **Attiva Autopan:** Richiama in modo continuo 2 posizioni configurate. Per ulteriori informazioni fare riferimento al relativo capitolo(10.3.9 Pagina Autopan, pagina 41).



Fig. 69

- **Torna alla HOME:** Richiama la posizione del preset numero 1.



Fig. 70

### 10.3.3.9 Controllo relè e stato degli allarmi

- **Attiva Relè/Disattiva Relè:** Una volta selezionato il relè nel menù a tendina è possibile impostarne lo stato del contatto.

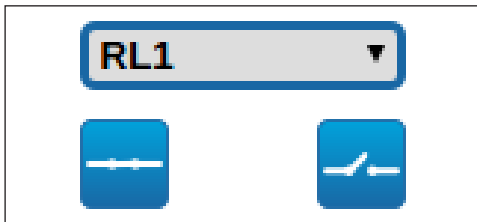


Fig. 71

- **AL1/AL2/AL3/AL4/ALHOUSING/RL1/RL2/DNHO USING:** Visualizza lo stato degli allarmi e dei relè. Il colore rosso indica che l'allarme o il relè è attivo. Il colore verde indica che l'allarme o il relè non è attivo.

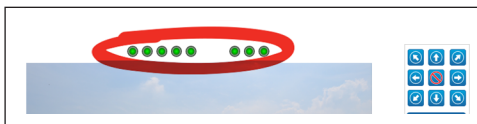


Fig. 72

### 10.3.3.10 Controllo del dispositivo tramite tastiera

È possibile controllare il dispositivo tramite la tastiera del PC utilizzando i tasti indicati in figura.

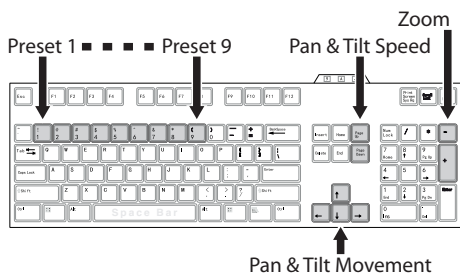


Fig. 73

### 10.3.4 Pagina Parametri Dispositivo

Alla voce del menu Parametri Dispositivo è possibile impostare il nome del dispositivo e visualizzare altre informazioni aggiuntive.

|                                  |                   |
|----------------------------------|-------------------|
| Nome Dispositivo                 | litose2           |
| Codice Prodotto                  |                   |
| N° Serie                         |                   |
| Serial Number Addon              | 119065310001      |
| Indirizzo MAC                    | 00:21:A6:00:11:4C |
| Versione Firmware: CPU Board     | 1.1.0             |
| Versione Firmware: Motor Board   | 1.0.3             |
| Versione Firmware: Housing Board | 1.0.4             |
| Revisione Hardware               | 1                 |
| Major Rev.                       | 1                 |
| Minor Rev.                       | 1                 |

Fig. 74

### 10.3.5 Pagina Statistiche Dispositivo

Alla voce del menu Statistiche Dispositivo sono riportate, per la sola consultazione, tutte le statistiche raccolte durante il funzionamento del dispositivo.

|  |       |
|--|-------|
| Gradi Per (°)                            | 20136 |
| Gradi TR (°)                             | 2756  |
| Accensioni                               | 28    |
| Ore di Lavoro (h)                        | 30    |
| Temperatura Massima Scheda Custodia (°C) | 43    |
| Temperatura Minima Scheda Custodia (°C)  | 29    |
| Temperatura Massima Scheda Motori (°C)   | 51    |
| Temperatura Minima Scheda Motori (°C)    | 32    |
| Temperatura Massima Scheda CPU (°C)      | 42    |
| Temperatura Minima Scheda CPU (°C)       | 27    |
| Periodo Accensione Parti R (h)           | 0     |

Fig. 75

### 10.3.6 Pagina Rete

**i** Per un corretto funzionamento del dispositivo è necessario sincronizzarlo con il software VMS utilizzando un server NTP.

Alla voce del menu Rete è possibile cambiare l'impostazione di rete del brandeggio. È possibile decidere se il dispositivo debba avere un indirizzo assegnato staticamente, dinamicamente con DHCP o autogenerato. Il dispositivo supporta il protocollo Internet Protocol (IP) in versione 4.

Nella stessa pagina è possibile configurare 2 DNS e decidere quali meccanismi debbano essere attivi per identificare automaticamente i dispositivi nella rete locale.

**Server NTP:** È possibile inoltre specificare se il dispositivo debba sincronizzarsi con un server NTP (Network Time Protocol) esterno.

- **DISABILITATO:** Selezionare questa opzione se non si desidera sincronizzare data e ora del dispositivo.
- **DHCP:** Selezionare questa opzione nel caso si desideri sincronizzare data e ora del dispositivo con quelle di un server NTP (Network Time Protocol) indicato dal server DHCP.
- **STATICO:** Selezionare questa opzione nel caso si desideri sincronizzare data e ora del dispositivo con quelle del server NTP specificato dall'indirizzo statico.

**PC Sync:** Permette di sincronizzare la data e l'ora del prodotto con quella del PC che si sta utilizzando (è necessario ri-eseguire il comando dopo ogni ciclo di spegnimento-accensione dell'unità).

|                        |                         |
|------------------------|-------------------------|
| Versione IP            | IPv4                    |
| Tipo Indirizzo         | STATICO                 |
| Indirizzo IP (IPv4)    | 192.168.0.106           |
| Subnet Mask (IPv4)     | 255.255.255.0           |
| Gateway (IPv4)         | 192.168.0.106           |
| Ricerca Automatica DNS | DISABILITATO            |
| Server DNS Preferito   | 8.8.8.8                 |
| Server DNS Alternativo | 8.8.4.4                 |
| Data e Ora             | 2016-08-03 08:40:58 UTC |
| Server NTP             | DISABILITATO            |
| PC Sync                | DISABILITATO            |
| UPnP                   | ATTIVO                  |
| Zenonconf              | ATTIVO                  |
| Multicast Discovery    | ATTIVO                  |
| WS Discovery           | ATTIVO                  |

Fig. 76

### 10.3.7 Pagina Utenti

Alla voce del menu Configurazione Utenti è possibile amministrare gli utenti che possono accedere al dispositivo. Gli utenti di tipo Administrator possono accedere alla configurazione completa del dispositivo. Gli utenti di tipo Operator, User e Anonymous hanno accesso limitato alle pagine di gestione.

Gli utenti con accesso limitato possono accedere solo alle pagine:

- Home (muovere il brandeggio, controllare gli illuminatori, attivare il tergicristallo, attivare l'impianto di lavaggio, attivare i relè e richiamare i preset)
- Parametri Dispositivo
- Statistiche Dispositivo

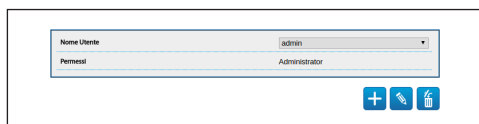


Fig. 77

La password può contenere solo i seguenti caratteri (a-z, A-Z, 0-9, ,\_-+@%/(-)^\*[]{}#;~).

Alcune telecamere potrebbero non supportare il set di caratteri sopra riportato.

### 10.3.8 Pagina Movimenti

Alla voce del menu Movimenti è possibile controllare via web tutti i parametri del brandeggio.

- **Offset Pan:** Il brandeggio ha una posizione di 0° definita meccanicamente. La funzione Offset Pan permette di definire via software una diversa posizione di 0°.
- **Modo Economico:** Riduce la coppia dei motori quando il brandeggio è fermo per diminuire i consumi. Non abilitare in presenza di forte vento o vibrazioni.
- **Velocità Massima:** Imposta la velocità manuale massima.
- **Tipo Rampa:** Permette di selezionare le accelerazioni del brandeggio. (Tempo di accelerazione/decelerazione: 1=1.1s, 2=0.95s, 3=0.8s, 4=0.5s)
- **Velocità con Zoom:** Tale parametro, se abilitato, riduce automaticamente la velocità di Pan e Tilt in funzione del fattore di Zoom.

- **Fattore di Tilt:** Imposta il fattore di riduzione della velocità manuale dell'asse tilt. Calcolo della velocità di movimento: velocità asse Tilt = velocità nominale Tilt / fattore di Tilt.
- **Limiti Pan:** Abilita i limiti del Pan.
- **Pan Inizio:** Imposta il limite iniziale del Pan.
- **Pan Fine:** Imposta il limite finale del Pan.
- **Tilt Inizio:** Imposta il limite iniziale del Tilt.
- **Tilt Fine:** Imposta il limite finale del Tilt.
- **Sensibilità:** Permette di selezionare la sensibilità del sistema di rilevamento di movimenti indesiderati di Pan e Tilt. Se viene superata la soglia impostata il sistema effettua la ricalibrazione di Pan e Tilt.

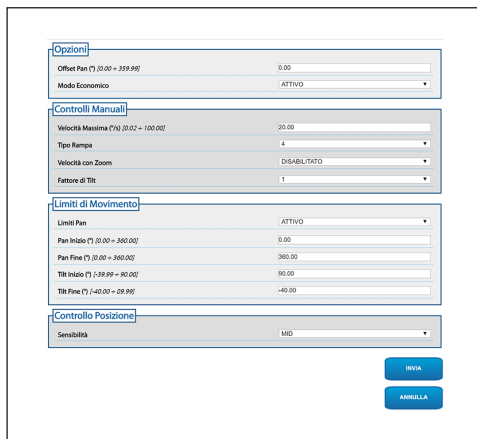


Fig. 78



### 10.3.9 Pagina Autopan

Alla voce del menu Autopan è possibile specificare il preset di inizio e di fine dell'autopan.

È possibile impostare le velocità con cui coprire il tragitto.

Fig. 79

### 10.3.10 Pagina Patrol

Alla voce del menu Patrol è possibile specificare il preset di inizio e di fine del patrol. È inoltre possibile specificare se la scansione dei preset debba avvenire in modo casuale o meno.

Fig. 80

### 10.3.11 Pagina Richiamo Movimenti

Alla voce del menu Richiamo Movimenti è possibile specificare gli intervalli temporali dopo i quali il brandeggio provvederà ad eseguire determinate funzioni.

- **Tipo:** Questo parametro seleziona la funzione da eseguire terminato l'intervallo di tempo d'inattività. Le funzioni attivabili sono Home, Autopan e Patrol.
- **Timeout:** Questo parametro specifica la durata dell'intervallo d'inattività.
- **Ricalibrazione Ciclica:** Questo parametro specifica dopo quante ore il sistema deve effettuare una nuova procedura di calibrazione assi. Impostare il valore 0 per disabilitare la funzione.

Fig. 81

### 10.3.12 Pagina Preset

Alla voce del menu Preset sono configurabili alcuni parametri relativi ai preset:

- **Velocità Scan:** La velocità in gradi al secondo con cui viene raggiunto un preset su richiesta esplicita dell'operatore.
- **Velocità Movimenti Default:** La velocità usata nelle operazioni di autopan e patrol.
- **Imponi Velocità di Default:** La velocità di default verrà impostata anche come velocità di scan per tutti i preset.
- **Pausa Default:** Il tempo in secondi di permanenza di default in ogni preset.
- **Imponi Pausa di Default:** La pausa di default verrà impostata per tutti i preset.

|   |       |
|---|-------|
| Velocità Scan (°/s) (0,02 - 50,00)              | 50,00 |
| Velocità Movimenti Default (°/s) (0,02 - 50,00) | 50,00 |
| Imponi Velocità di Default                      | NO    |
| Pausa Default (s) (0 - 3600)                    | 5     |
| Imponi Pausa di Default                         | NO    |

OK ANNULLA

Fig. 82

### 10.3.13 Pagina Preset (Avanzato)

Nella sezione Preset (Avanzato) è possibile personalizzare i valori di velocità e pausa per ciascun preset, oltre che ad abilitare/disabilitare i preset stessi.

I valori di velocità e pausa vengono utilizzati per la gestione del Patrol.

|   |       |
|---|-------|
| Preset ID                               | 1     |
| Attivo                                  | SI    |
| Pan                                     | 0,00° |
| Tilt                                    | 0,00° |
| Zoom                                    | 1X    |
| Focus                                   | 0     |
| Velocità Movimenti (°/s) (0,02 - 50,00) | 50,00 |
| Pausa (s) (0 - 3600)                    | 5     |

OK ANNULLA

Fig. 83

### 10.3.14 Pagina Ingressi Digitali

Alla voce del menu Ingressi Digitali è possibile configurare i canali digitali presenti nel dispositivo. Segue una breve descrizione dei parametri configurabili per ciascun ingresso digitale.

- **ID Allarme:** Campo utilizzato per selezionare l'ingresso digitale desiderato. L'ingresso di allarme 5 si trova in custodia. Per il collegamento fare riferimento al capitolo (AL, COM, 7.4.3 Collegamento della telecamera di rete, pagina 18).
- **Descrizione Ingresso:** Inserire una descrizione testuale delle funzionalità dell'ingresso.
- **Tipo:** Indica lo stato di default dell'ingresso digitale.
- **Azione:** A ciascun ingresso può essere associata un'azione. L'azione viene attivata nel momento in cui il contatto passa in uno stato diverso da quello di default. Di seguito sono elencate le azioni disponibili:
  - **NONE:** Nessuna azione.
  - **SCAN:** Posiziona il brandeggio sul preset selezionato.
  - **PATROL:** Attiva il PATROL.
  - **AUTOPAN:** Attiva l'AUTOPAN.
  - **TERGICRISTALLO:** Attiva il tergicristallo.
  - **IMPIANTO DI LAVAGGIO:** Attiva la sequenza di lavaggio del vetro.
  - **DNHOUSING:** Attiva il Relè presente in custodia. Per il collegamento fare riferimento al capitolo(DN1, DN2, 7.4.3 Collegamento della telecamera di rete, pagina 18).
  - **RL1:** Attiva il Relè 1.
  - **RL2:** Attiva il Relè 2.
  - **IR FILT:** Disattiva il Filtro IR della camera. Se presenti, accende gli illuminatori a LED.

Per un controllo del corretto funzionamento degli allarmi, nella pagina web è presente un pallino. Il pallino sarà verde in condizioni normali e rosso quando viene rilevato un allarme.

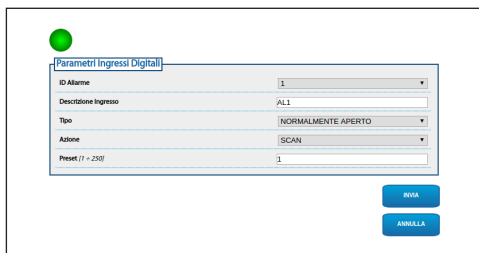


Fig. 84

### 10.3.15 Pagina Uscite Digitali

Alla voce del menu Uscite Digitali è possibile configurare i canali digitali presenti nel dispositivo. Segue una breve descrizione dei parametri configurabili per ciascuna uscita digitale.

- **ID Relè:** Campo utilizzato per selezionare l'uscita digitale desiderata.
- **Descrizione Uscita:** Inserire una descrizione testuale delle funzionalità dell' uscita.
- **Stato a Riposo:** Indica lo stato di default dell'uscita digitale.
- **Modo:** Indica la modalità di attivazione dell'uscita digitale.
  - **MONOSTABILE:** Questa modalità attiva l'uscita per l'intervallo di tempo impostato.
  - **BISTABILE:** Questa modalità attiva l'uscita per un intervallo di tempo infinito.
- **Tempo di Attivazione:** Indica per quanti millisecondi l'uscita digitale resta attiva (valido solo quando è selezionata la modalità Monostabile).

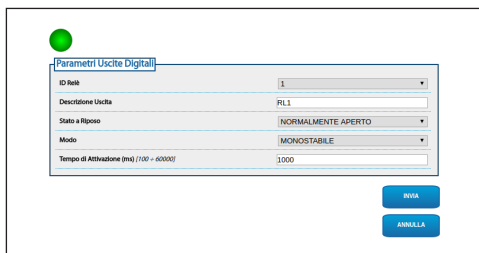


Fig. 85

La visualizzazione di alcuni campi avviene in maniera dinamica a seconda della configurazione del sistema.

### 10.3.16 Pagina Comandi Ausiliari

Alla voce del menù Comandi Ausiliari è possibile modificare l'ordine dei comandi da esportare tramite il protocollo ONVIF. Per cambiare l'ordine è sufficiente trascinare i comandi ausiliari cliccando sull'apposita icona all'inizio della riga. Tramite l'apposito tasto è possibile testare i comandi.

- **Cambia Ordine/Esegui Comando**



Fig. 86



Fig. 87

Al termine della configurazione è necessario riassociare il dispositivo al VMS altrimenti le modifiche non avranno effetto.

### 10.3.17 Pagina Modalità Notturna

Alla voce del menù Modalità Notturna è possibile configurare l'attivazione degli illuminatori.

La visualizzazione di alcuni campi avviene in maniera dinamica a seconda della configurazione del sistema.

- **Sensore di Luminosità:** Imposta il metodo di lettura della luminosità ambientale per la commutazione in Notte.
  - **ESTERNO:** Lettura della luce ambiente tramite l'ingresso di allarme.
  - **ILLUMINATORI:** Lettura della luce ambiente tramite la fotocellula degli illuminatori.
  - **TELECAMERA:** Lettura della luce ambiente tramite la telecamera.
  - **NESSUNO:** Attivazione manuale tramite pagina web o comando ausiliario ONVIF.
- **Sincronizzazione Filtro IR Telecamera:** Abilita la rimozione del filtro IR quando il sistema è in modalità Notte.
- **Attivazione Illuminatore Slave:** Imposta la modalità di attivazione dell'illuminatore Slave.
  - **MANUALE:** Modalità per controllare manualmente l'illuminatore.
  - **UGUALE AL MASTER:** Modalità per attivare l'illuminatore Slave assieme al Master.
  - **FATTORE ZOOM:** Modalità per attivare l'illuminatore Slave quando l'illuminatore Master è attivo e il fattore di zoom è maggiore del valore impostato. La funzione è disponibile solo con ottiche motorizzate con potenziometri o con accessorio modulo telecamera visibile.
  - **POSIZIONI PRESET:** Modalità per attivare l'illuminatore Slave quando l'illuminatore Master è attivo e il brandeggio è in una delle posizioni di preset specificate.

- **Parametri Telecamera:** Imposta i livelli e i ritardi per il passaggio tra le modalità Notte e Giorno.
- **Soglia Giorno-Notte:** Imposta il livello di luce sotto il quale il brandeggio attiva la modalità Notte.
- **Soglia Notte-Giorno:** Imposta il livello di luce sopra il quale il brandeggio attiva la modalità Giorno.
- **Ritardo Giorno-Notte:** Imposta il tempo in secondi durante il quale la luce deve stare sotto la soglia Notte.
- **Ritardo Notte-Giorno:** Imposta il tempo in secondi durante il quale la luce deve stare sopra la soglia Giorno.
- **Soglia di Zoom Illuminatore Slave:** Quando la modalità Notte è attiva, indica il livello di zoom oltre il quale viene attivato l'illuminatore Slave.
- **Lista Preset Illuminatore Slave:** Quando la modalità Notte è attiva, specifica per quali preset l'illuminatore Slave verrà attivato.

The screenshot shows a configuration interface for the Night Mode. It is divided into three main sections:

- Sensore di Luminosità:** Includes a dropdown menu for 'TELECAMERA', a checkbox for 'Sincronizzazione Filtro IR Telecamera' (checked), and a dropdown for 'Attivazione Illuminatore Slave' set to 'POSIZIONI PRESET'.
- Parametri Telecamera:** Contains four input fields:
  - Soglia Giorno-Notte (0 - 10): 10
  - Soglia Notte-Giorno (15 - 31): 15
  - Ritardo Giorno-Notte (s) (15 - 240): 5
  - Ritardo Notte-Giorno (s) (15 - 240): 15
- Parametri Illuminatore Slave:** Includes a 'Lista Preset Illuminatore Slave' section with a grid of buttons for selecting preset positions (1, 2, 3, 4, 5, 6, 7, 8, 9, 10).

At the bottom right, there are two buttons: 'OK' and 'ANNULLA'.

Fig. 88

### 10.3.18 Pagina Impianto di Lavaggio

La pagina di configurazione è disponibile solo se è presente il relativo accessorio (11.1 Impianto di lavaggio, pagina 50).

Alla voce del menu Impianto di lavaggio è possibile configurare le funzionalità del sistema di lavaggio del dispositivo.

La tastiera virtuale permette di muovere l'unità. Per impostare la velocità utilizzare il menù a tendina presente sotto la tastiera virtuale.

I pulsanti di Zoom Wide e Zoom Tele permettono il controllo dell'angolo di visuale.

- **Vai a Posizione Ugello/Salva Posizione Ugello:** L'unità posiziona la finestra della custodia in corrispondenza della posizione dell'ugello memorizzata. Se necessario è possibile salvare una nuova posizione dell'ugello.



Fig. 89

- **Attivazione Impianto di Lavaggio:** Effettua il test della procedura di lavaggio.



Fig. 90

- **Stato Pompa:** Visualizza lo stato del relè che controlla la pompa. Il colore rosso indica che la pompa è in funzione. Il colore verde indica che la pompa è spenta.



Fig. 91

- **Ritardo Attivazione Wiper:** Intervallo di tempo che trascorre tra l'inizio dell'erogazione dell'acqua e l'attivazione del tergicristallo.
- **Durata Lavaggio:** Durata dell'erogazione di acqua da parte della pompa.
- **Ritardo Disattivazione Wiper:** Durata dello spazzolamento dopo che è terminata l'erogazione dell'acqua.

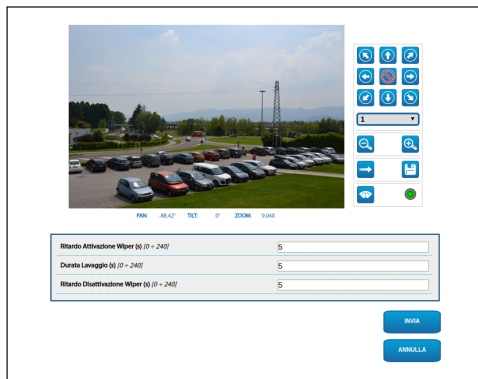


Fig. 92

## 10.3.19 Pagina Settaggi Telecamera

### 10.3.19.1 Telecamera di terze parti



**Il prodotto, con indirizzo IP autogenerato, non è in grado di trasmettere lo streaming video. Assicurarsi che il server DHCP sia raggiungibile o eventualmente impostare un indirizzo IP non appartenente alla classe "Link Local, 169.254.x.x/16" (10.3.6 Pagina Rete, pagina 39).**

Tramite la voce del menu Settaggi Telecamera è possibile accedere alla pagina web della telecamera installata. La configurazione dei parametri dello streaming video deve essere effettuata tramite il protocollo ONVIF usando un VMS compatibile o l'applicazione Onvif Devide Manager (scelta consigliata). Nel caso in cui fosse necessario modificare lo streaming video direttamente dalla pagina web della telecamera bisogna riavviare il brandeggio al termine della configurazione.

### 10.3.19.2 Modulo telecamera visibile

La visualizzazione di alcuni campi avviene in maniera dinamica a seconda della configurazione del sistema.

Alla voce del menu Settaggi Telecamera è possibile configurare la telecamera integrata nel dispositivo:

- **Esposizione:** Parametri di configurazione
  - **Modalità Esposizione:** Il parametro configura l'algoritmo di esposizione (AUTO, MANUAL, IRIS, SHUTTER, BRIGHT). I relativi campi di controllo vengono visualizzati in base alla modalità selezionata.
  - **Modalità Alta Sensibilità:** Con questa modalità il guadagno massimo aumenta per dare immagini più luminose anche con scene scure.
  - **Compensazione Backlight:** Il parametro attiva la modalità di compensazione per la visione in controluce.
  - **Auto Slowshutter:** Il parametro attiva la modalità di acquisizione a basso frame rate.
  - **Limite del Guadagno:** Il parametro definisce il valore massimo del guadagno per l'algoritmo di esposizione.
  - **Compensazione dell'Esposizione:** Il parametro abilita la correzione della luminosità della scena.
  - **Valore di Compensazione:** Il parametro definisce il valore di correzione della luminosità della scena.
- **Zoom:** Parametri di configurazione
  - **Zoom Digitale:** Permette di abilitare o disabilitare lo zoom digitale (in aggiunta a quello ottico).
  - **Velocità Zoom:** Permette di impostare la velocità quando viene controllato manualmente.
- **Focus:** Parametri di configurazione
  - **Modalità Autofocus:** Permette di impostare l'Autofocus in modo continuo (CAMERA TRIGGER) o alla fine di ogni movimento (PTZ TRIGGER).
  - **Sensibilità Autofocus:** NORMAL: Messa a fuoco rapida per movimenti frequenti. LOW: Migliora la stabilità della messa a fuoco soprattutto per scene poco luminose e rumorose.
  - **Velocità Focus:** Permette di impostare la velocità quando viene controllato manualmente.

- **Bilanciamento Bianco:** Parametri di configurazione
- **Modalità:** Permette di configurare il bilanciamento del bianco in modalità automatica o manuale.
- **Wide Dynamic Range:** Parametri di configurazione
  - **Wide Dynamic Range:** Il parametro permette di attivare la funzione per migliorare il contrasto tra zone luminose e zone d'ombra. La modalità Visibility Enhancer (VE) permette di ottimizzare la visione riducendo al minimo il rumore.
- **Livello di Luminosità:** Il parametro imposta la soglia media di luminosità della scena.
- **Compensazione Luminosità:** Il parametro imposta l'area nella quale verrà effettuata la correzione della luminosità.
- **Livello Compensazione Luminosità:** Il parametro specifica il livello di compensazione applicato alla zona selezionata.
- **Opzioni:** Parametri di configurazione
  - **Stabilizzatore Immagine:** Il parametro abilita lo stabilizzatore elettronico dell'immagine.
  - **Riduzione Rumore:** Il parametro specifica il livello e la conseguente modalità (2D, 3D) di riduzione del rumore.
  - **Alta Risoluzione:** Il parametro attiva il miglioramento dei contorni e produce immagini più definite.
  - **Nitidezza:** Il parametro imposta il livello di nitidezza dei contorni.

- **Modalità Defog:** Il parametro abilita la funzione che permette di migliorare la visione in caso di nebbia.
- **Correzione Sovraesposizione:** Il parametro abilita la funzione che effettua la mascheratura delle aree sovraesposte.
- **Correzione Sovraesposizione Livello Mascheratura:** Il parametro definisce il livello di luminosità oltre il quale applicare la mascheratura.

The screenshot shows a configuration menu with several sections:

- Zoom:** Zoom Digitale (DISABILITATO), Velocità Zoom (4)
- Focus:** Modalità Autofocus (PTZ TRIGGER), Velocità Focus (4)
- Esposizione:** Modalità Esposizione (AUTO), Modalità Alta Sensibilità (OFF), Compensazione Backlight (OFF), Auto Slowshutter (ON), Limite del Guadagno (dB) (15.4), Compensazione dell'Esposizione (OFF)
- Bilanciamento Bianco:** Modalità (OUTDOOR AUTO)
- Wide Dynamic Range:** Wide Dynamic Range (ON), Livello di Luminosità (3), Compensazione Luminosità (STANDARD), Livello Compensazione Luminosità (MID)
- Opzioni:** Stabilizzatore Immagine (OFF), Riduzione Rumore (OFF), Alta Risoluzione (OFF), Nitidezza (1), Modalità Defog (OFF), Correzione Sovraesposizione (OFF), Correzione Sovraesposizione Livello Mascheratura (OFF)

Buttons for 'OK' and 'ANNULLA' are visible at the bottom right.

**Fig. 93**

La configurazione dei parametri dello streaming video deve essere effettuata tramite il protocollo ONVIF usando un VMS compatibile o l'applicazione Onvif Devide Manager (scelta consigliata).

### 10.3.20 Pagina Mascheratura

La pagina di configurazione è disponibile solo se è presente il relativo accessorio (11.6 Modulo telecamera visibile, pagina 51).

Alla voce del menù Mascheratura è possibile definire delle aree che appariranno oscurate a video.

La tastiera virtuale permette di muovere l'unità. Per impostare la velocità utilizzare il menù a tendina presente sotto la tastiera virtuale.

I pulsanti di Patrol, Vai a Preset e Home permettono di attivare le relative funzioni.

- **Selezione Maschera**



Fig. 94

- **Modalità Mascheratura:** Durante la movimentazione PTZ è possibile oscurare alcune porzioni del video. Al raggiungimento della posizione configurata l'intero video verrà oscurato. Sono disponibili due modalità di mascheratura. La modalità PAN-TILT attiva la maschera basandosi su entrambe le coordinate degli assi orizzontale e verticale. La modalità PAN attiva la maschera basandosi unicamente su coordinate dell'asse orizzontale.



Fig. 95

- **Posizione di Inizio Maschera:** Configura il punto di attivazione della maschera.



Fig. 96

- **Posizione di Fine Maschera:** Configura il punto di disattivazione della maschera.



Fig. 97

- **Abilita Maschera/Disabilita Maschera/Posiziona al Centro della Maschera/Elimina tutte le Maschere**



Fig. 98



Fig. 99



### 10.3.21 Pagina Registro di Sistema

Alla voce del menu Registro di Sistema è possibile visualizzare lo storico degli eventi.

Il sistema è in grado di rilevare diversi tipi di cambi di stato.

I pulsanti sotto la finestra di log permettono di selezionare il filtro in base alla criticità.

- **Error Level:** Visualizza solo errori critici.
- **Warning Level:** Visualizza errori che potrebbero compromettere il corretto funzionamento.
- **Download Files:** Permette di scaricare i file di log.

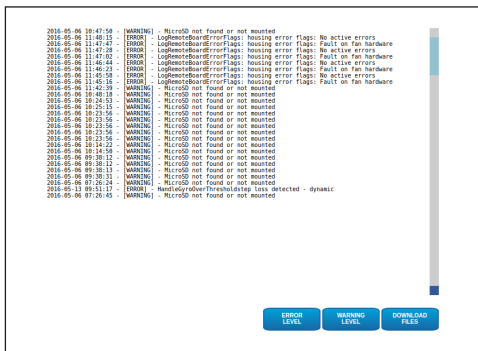


Fig. 100

### 10.3.22 Pagina Strumenti

Alla voce del menu Strumenti è possibile reimpostare i valori predefiniti per tutta la configurazione del dispositivo o solo per alcune sezioni specifiche.

In questa sezione è inoltre possibile:

- Aggiornare il firmware del dispositivo.
- Salvare o caricare da file la configurazione del dispositivo.
- Copiare o caricare da micro SD la configurazione del dispositivo.
- Riavviare il dispositivo.

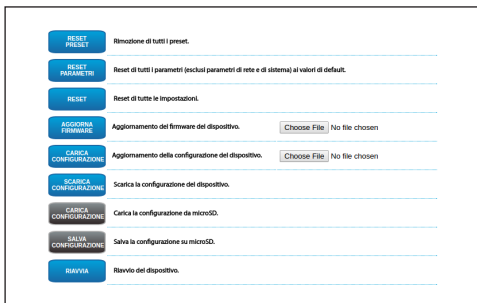


Fig. 101

## 11 Accessori

**i** Per ulteriori dettagli sulla configurazione e l'utilizzo fare riferimento al manuale del relativo accessorio.

### 11.1 Impianto di lavaggio

Il brandeggio può essere dotato di una pompa esterna che fornisce acqua per la pulizia del vetro.

Quando si invia il comando il brandeggio si posiziona con la finestra di fronte all'ugello. Si attivano la pompa ed il tergicristallo per un tempo determinato. Alla fine della procedura il brandeggio ritorna nella posizione iniziale.

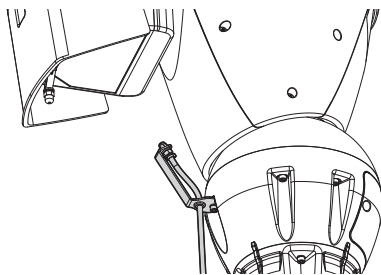


Fig. 102

**i** Per ulteriori informazioni fare riferimento al relativo capitolo (10.3.18 Pagina Impianto di Lavaggio, pagina 45).

### 11.2 Staffa di supporto per illuminatori a LED

Per installare gli illuminatori a LED VIDEOTEC è necessario dotare il dispositivo di una staffa di supporto.

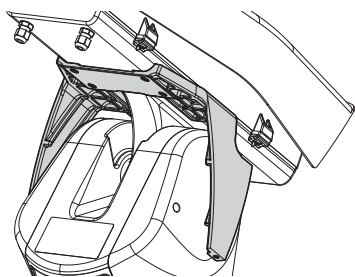


Fig. 103 UPTIRNBKT.

### 11.3 Illuminatori a LED

L'unità può essere equipaggiata di illuminatori a LED.

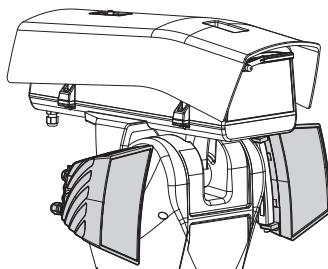


Fig. 104 UPTIRN.

**i** Per ulteriori informazioni fare riferimento al relativo capitolo (8.7 Montaggio degli illuminatori a LED (opzionali), pagina 27).

### 11.4 Supporto da parete

Supporto per montaggio a parete con passaggio interno cavi.

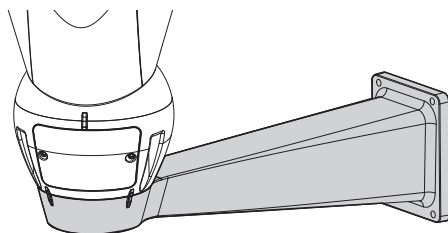


Fig. 105 UPTWBA.

### 11.5 Supporto da parapetto

Supporto per montaggio a parapetto con passaggio interno cavi.

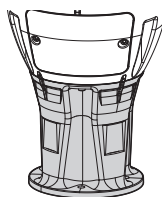


Fig. 106 UPTWBTAB.

## 11.6 Modulo telecamera visibile

L'unità può essere equipaggiata di una telecamera a spettro visibile.

Add-on camera Full HD1080p, 30x (4.3-129mm), 60fps, temperatura fino a +65°C.

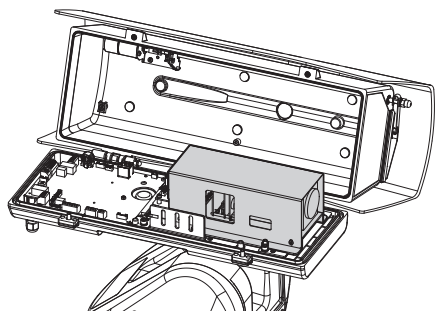


Fig. 107 CAMHD30X.

**i** Per ulteriori informazioni fare riferimento al relativo capitolo (7.4.6 Installazione del modulo telecamera visibile (opzionale), pagina 20).

## 11.7 Vetro riscaldato anti-ghiaccio

Il prodotto può essere provvisto di vetro riscaldato anti-ghiaccio.

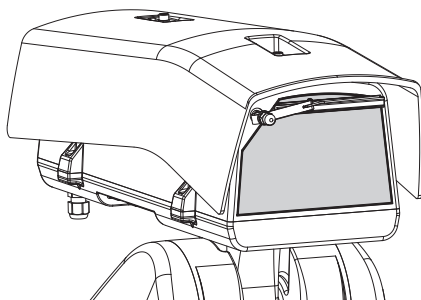


Fig. 108 UPTBVTR.

**i** Per ulteriori informazioni fare riferimento al relativo capitolo (7.4.7 Installazione del corpo superiore della custodia con vetro riscaldato antighiaccio e tergcristallo (opzionale), pagina 21).

## 12 Manutenzione



**Prima di effettuare interventi tecnici sull'apparecchio togliere l'alimentazione elettrica.**



**La manutenzione deve essere eseguita solo da personale qualificato ad intervenire su circuiti elettrici.**

Se viene contattato il servizio tecnico di VIDEOTEC o un centro di assistenza autorizzato, è necessario fornire il numero di serie del prodotto (4.3 Marcatura del prodotto, pagina 11 e 10.3.4 Pagina Parametri Dispositivo, pagina 39).

### 12.1 Sostituzione dei fusibili



**ATTENZIONE! Per assicurare la protezione contro il rischio di incendio, sostituire i fusibili con lo stesso tipo e valore. I fusibili devono essere sostituiti solo da personale qualificato.**

In caso di necessità è possibile sostituire i fusibili della scheda connettori (8.2.1 Descrizione della scheda connettori, pagina 23). I nuovi fusibili dovranno rispettare le indicazioni fornite in tabella.

| SOSTITUZIONE DEI FUSIBILI |                      |                       |                     |
|---------------------------|----------------------|-----------------------|---------------------|
| Tensione                  | Fusibile F1          | Fusibile F2           | Fusibile F3         |
| 24Vac,<br>50/60Hz         | T 10A H 250V<br>5x20 | T 6.3A H 250V<br>5x20 | T 4A H 250V<br>5x20 |
| 120Vac,<br>50/60Hz        | T 4A H 250V<br>5x20  |                       |                     |
| 230Vac,<br>50/60Hz        | T 4A H 250V<br>5x20  |                       |                     |

Tab. 9

## 13 Pulizia

### 13.1 Pulizia del vetro e delle parti in plastica



**Evitare alcool etilico, solventi, idrocarburi idrogenati, acidi forti e alcali. L'utilizzo di detti prodotti danneggia in modo irreparabile la superficie trattata.**

Si consiglia di utilizzare un panno morbido con saponi neutri diluiti con acqua o prodotti specifici per la pulizia delle lenti degli occhiali.

### 13.2 Pulizia della finestra in germanio



**Pulire la finestra prestando attenzione a non graffiare o rigare la superficie esterna trattata con carbon coating. Danneggiando tale rivestimento c'è il rischio di compromettere la trasparenza all'infrarosso della superficie.**

La pulizia deve essere effettuata con sapone neutro diluito con acqua.

## 14 Smaltimento dei rifiuti



**Questo simbolo e il sistema di riciclaggio sono validi solo nei paesi dell'EU e non trovano applicazione in altri paesi del mondo.**

Il vostro prodotto è costruito con materiali e componenti di alta qualità, che sono riutilizzabili o riciclabili.

Prodotti elettrici ed elettronici che riportano questo simbolo, alla fine dell'uso, devono essere smaltiti separatamente dai rifiuti casalinghi.

Vi preghiamo di smaltire questo apparecchio in un Centro di raccolta o in un'Ecostazione.

Nell'Unione Europea esistono sistemi di raccolta differenziata per prodotti elettrici ed elettronici.

# 15 Risoluzione dei problemi

**i** Per qualunque problematica non descritta o se i problemi elencati in seguito dovessero persistere, contattare il servizio tecnico di VIDEOTEC o un centro di assistenza autorizzato.

**PROBLEMA** Il prodotto non si accende.

**CAUSA** Errato cablaggio, rottura dei fusibili.

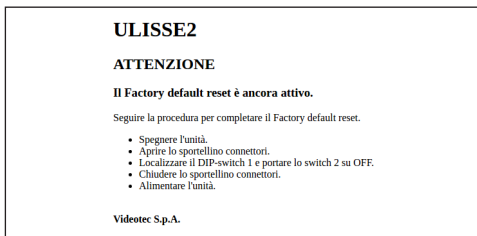
**SOLUZIONE** Verificare la corretta esecuzione delle connessioni. Verificare la continuità dei fusibili e, in caso di guasto, sostituirli con i modelli indicati.

**PROBLEMA** Con particolari condizioni di zoom c'è interferenza della custodia o del tettuccio nell'immagine ripresa (solo per versioni con ottica motorizzata).

**CAUSA** Posizione della telecamera o dell'ottica troppo arretrata rispetto alla finestra.

**SOLUZIONE** Regolare la posizione della telecamera e dell'ottica.

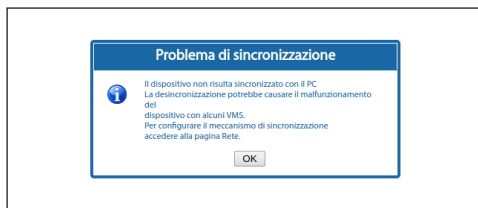
**PROBLEMA** L'interfaccia software visualizza il seguente messaggio:



**CAUSA** Il DIP switch di Factory default è in ON.

**SOLUZIONE** Seguire le istruzioni riportate nel seguente capitolo (8.3.2 Descrizione della procedura di Factory Default, pagina 26).

**PROBLEMA** L'interfaccia software visualizza il seguente messaggio:



**CAUSA** Il server NTP non è raggiungibile o non configurato.

**SOLUZIONE** Controllare l'effettivo funzionamento del server. Nella pagina di configurazione di rete verificare la correttezza dei settaggi. Se non è presente un server è possibile sincronizzare il dispositivo con la data e l'ora del PC che controlla l'unità (data e ora si resettano al successivo riavvio).

**PROBLEMA** Nel log di sistema viene visualizzato il messaggio di errore: **Fault on illuminators hardware or supply frequency out of range.**

**CAUSA** Il fusibile F3 è guasto o la frequenza di alimentazione è fuori dal range prestabilito.

**SOLUZIONE** Verificare la continuità del fusibile e in caso di guasto sostituirlo. Verificare la frequenza della linea di alimentazione del brandeggio.

**PROBLEMA** Nel log di sistema viene visualizzato il messaggio di errore: **MicroSD...**

**CAUSA** Il sistema non è in grado di gestire la micro SD installata.

**SOLUZIONE** Verificare l'effettiva compatibilità della micro SD col sistema. In caso di malfunzionamento sostituire la micro SD.

**PROBLEMA** Nel log di sistema vengono visualizzati gli errori **Error on heater hardware**, **Error on demist hardware** e **Error on fan hardware**.

**CAUSA** Il sistema non rileva correttamente la slitta principale presente nella custodia.

**SOLUZIONE** Verificare che la slitta principale sia installata correttamente.

**PROBLEMA** L'interfaccia software visualizza il seguente messaggio:



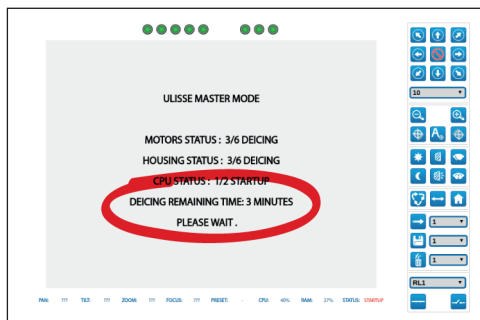
**CAUSA** Errato collegamento o configurazione della telecamera.

**SOLUZIONE** Verificare l'alimentazione e il cavo Ethernet della telecamera. Verificare che la preconfigurazione della telecamera e la configurazione hardware del dispositivo siano state effettuate.

**CAUSA** Errata configurazione del protocollo ONVIF nella telecamera.

**SOLUZIONE** Verificare l'abilitazione del protocollo ONVIF e le credenziali di accesso della telecamera.

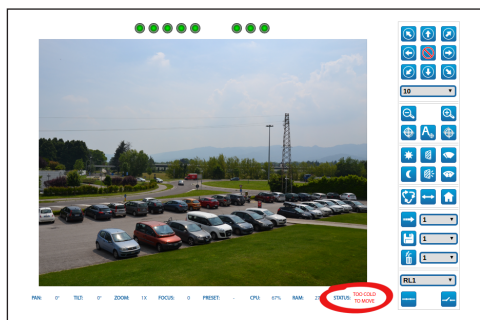
**PROBLEMA** Durante l'accensione il brandeggio rimane bloccato e l'interfaccia software visualizza il seguente messaggio:



**CAUSA** La temperatura ambiente è molto bassa.

**SOLUZIONE** Attendere il termine della procedura di preriscaldamento.

**PROBLEMA** L'interfaccia software visualizza il seguente messaggio:



**CAUSA** La temperatura ambiente è troppo bassa.

**SOLUZIONE** I movimenti del brandeggio vengono bloccati per evitare danni meccanici.

**PROBLEMA** Non è possibile mettere a fuoco l'immagine con l'ottica motorizzata:

**CAUSA** Regolazione del Back Focus non corretta.

**SOLUZIONE** Eseguire la seguente procedura inquadrando un soggetto ad almeno 20 metri di distanza.

- 1-Aprire completamente l'iris
- 2-Portare lo zoom a tutto tele.
- 3-Mettere a fuoco il soggetto con Focus far/Focus near.
- 4-Portare lo zoom a tutto wide.
- 5-Mettere a fuoco utilizzando il meccanismo di regolazione Back Focus della telecamera.
- 6-Portare lo zoom a tutto tele e mettere a fuoco il soggetto con Focus far/Focus near.
- 7-Portare lo zoom a tutto wide e verificare che la messa a fuoco sia corretta.

## 16 Dati tecnici

### 16.1 Generale

Costruzione in pressofusione di alluminio e tecnopolimero

Verniciatura a polveri di epossipoliestere, colore RAL9002

Top mount

Installazione facilitata da un'unica chiave esagonale e viti imperdibili

Ottima fluidità di movimento

Trasmissione per mezzo di cinghia dentata con assenza di gioco meccanico

Lettura via ONVIF della posizione di pan/tilt/zoom

Slip-ring

Fincorsa elettronici

Tergicristallo integrato

Slot per Micro SD per memorizzazione della configurazione e del log

Custodia dotata di ventilazione ad aria forzata

Compensazione zero meccanico asse orizzontale (pan offset)

Limiti assi verticale ed orizzontale elettronici configurabili da utente

### 16.2 Meccanica

Pressacavi: 2xM20 + 1xM16 + guarnizione speciale per cavi RJ45

Rotazione orizzontale: continua

Rotazione verticale: da +90° a -40°

- Velocità orizzontale variabile: da 0.02°/s fino a 100°/s (da 0.02°/s fino a 50°/s con illuminatori)
- Velocità verticale variabile: da 0.02°/s fino a 50°/s (da 0.02°/s fino a 50°/s con illuminatori)

L'unità riduce automaticamente la velocità in base allo zoom con Add-on camera e obiettivi motorizzati con potenziometri

Accuratezza del richiamo delle posizioni di preset: 0.02°

Dimensioni utili interne (WxHxL): 100x100/60x414mm (Vedi disegni)

Peso unitario: 20.4kg

Custodia ad apertura laterale



## 16.3 Finestre per custodia

Finestra per telecamere Megapixel: (WxH) 125x91 mm

Finestra in germanio (diametro utile: 61mm)

- Spessore: 2mm
- Trattamento esterno: antigraffio Hard Carbon Coating (DLC) + antiriflesso
- Trattamento interno: antiriflesso
- Range spettrale: da 7.5µm fino a 14µm
- Trasmittanza media (da 7.5µm fino a 11.5µm): 90%
- Trasmittanza media (da 11.5µm fino a 14µm): 77%

Finestra in germanio (diametro utile: 66mm)

- Spessore: 4mm
- Trattamento esterno: antigraffio Hard Carbon Coating (DLC) + antiriflesso
- Trattamento interno: antiriflesso
- Range spettrale: da 8µm fino a 14µm

## 16.4 Elettrico

Tensione di alimentazione/Corrente assorbita:

- 230Vac ±10%, 1.1A, 50/60Hz
- 24Vac ±10%, 10A, 50/60Hz
- 120Vac ±10%, 2A, 50/60Hz

Potenza assorbita:

- 27W, brandeggio fermo, riscaldamento spento, senza telecamera
- 34W, brandeggio fermo, riscaldamento spento, telecamera 30x
- 49W, brandeggio in movimento, riscaldamento spento, telecamera 30x
- 97W, brandeggio in movimento, riscaldamento acceso, illuminatori spenti
- 157W, brandeggio in movimento, riscaldamento acceso, illuminatori accesi, telecamera 30x

Sezione cavi segnale: da 0.5mm<sup>2</sup> (20AWG) fino a 1.5mm<sup>2</sup> (16AWG)

Ingressi allarme auto-alimentati: 4

Uscite relé: 2 (1A, 30Vac/dc max)

Sistema anti-condensa per finestra con aria calda forzata termoregolata

Sistema anti-ghiaccio con vetro auto-riscaldato, 7W max (opzionale)

## 16.5 Rete

Connessione Ethernet: 100 Base-TX

- Protocolli di rete: IPv4, HTTP, Bonjour, DNS, NTP, RTSP, RTP, TCP, UDP, IGMP, RTCP, ICMP, DHCP, ARP, ONVIF profilo S
- Sistemi di protezione supportati: protezione con password (digest-authentication e ws-security)

## 16.6 Telecamere

### Specifiche delle telecamere installabili

Possibili modalità di comunicazione con la telecamera IP:

- il brandeggio controlla la telecamera IP via ONVIF S (PTZ Master)
- la telecamera controlla il brandeggio tramite la porta seriale RS485 (Camera Master)

Selezione della modalità di comunicazione con la telecamera IP: via dip-switch

Bitrate nominale dello streaming video (somma di tutti gli streaming della telecamera): 60Mbit/s

Configurazione della telecamera IP tramite collegamento diretto alla pagina web della telecamera

Controllo PTZ (solo con modalità Camera Master): RS485, protocollo Pelco-D, baudrate: 9600 baud

Alimentazione della telecamera: 12V, 1,5A max con funzione di de-icing

Alimentazione dei motori delle ottiche: 6-9-12-15Vdc, 200mA max

Alimentazione dei potenziometri delle ottiche: 5V, 15mA max

Controllo delle ottiche: filo comune ZF, filo separato ZF o RS485

Trigger dell'Autofocus ottica motorizzata: Relé

Gestione Trigger dell'Autofocus ottica: 500ms impulso, 15s impulso, normalmente aperto, normalmente chiuso

Sincronizzazione Day/Night della telecamera: ONVIF o Relé

Esportazione I/O della telecamera: 1 ingresso auto-alimentato, 1 uscita relé

Peso massimo telecamera+ottica: 2.3kg

### Telecamera opzionale add-on VIDEOTEC (cod. CAMHD30X)

Day/Night Full HD 30x

Sensore di immagine: 1/2.8 type Exmor™ CMOS sensor

Pixels Effettivi: appross. 2.38 Megapixel

Illuminazione Minima, colore (ICR-OFF):

- 1.4lx, 1/30s, 50 IRE (modalità Normale)
- 0.35lx, 1/30s, 50 IRE (modalità Alta Sensibilità)
- 0.19lx, 1/3s, 50 IRE (modalità Normale)
- 0.05lx, 1/3s, 50 IRE (modalità Alta Sensibilità)

Illuminazione Minima, B/W (ICR-ON):

- 0.05lx, 1/30s, 50 IRE (modalità Normale)
- 0.013lx, 1/30s, 50 IRE (modalità Alta Sensibilità)
- 0.002lx, 1/3s, 30 IRE (modalità Alta Sensibilità)

Ottica: f=4.3 mm (wide) ~ 129.0 mm (tele), da F1.6 fino a F4.7

Zoom ottico: 30x (360x con zoom digitale)

Campo visivo orizzontale: 63.7° (wide end), 2.3° (tele end)

Distanza minima dell'oggetto: 10mm (wide) ~ 1200mm (tele)

Velocità dell'otturatore: 1/1 a 1/10000 s, 22 passi

Bilanciamento del bianco: Auto, ATW, Interni, Esterni, Automatico per esterni, Lampade ai vapori di sodio (Fisso, Auto, Automatico per esterni), One-push, Manuale

Guadagno: Auto, Manuale, Limite Del Guadagno (da 3dB fino a 43dB, passi: 3dB)

Wide Dynamic Range: On/Off/Visibilità migliorata, Livello di luminosità, Compensazione luminosità, Livello compensazione luminosità

Sistema Focus: Auto (Sensibilità: Normale, Bassa), Manuale, trigger PTZ

Controllo Esposizione: Auto, EV Compensation, Manuale, Priorità (Priorità diaframma, Priorità otturatore), Luminosità, Controllo rallentato

S/N Ratio: 50dB

Wide-D (wide dynamic range): 130dB

De-fog: On/Off

Velocità proporzionale allo zoom

Mascheratura a zone (angoli di rotazione o angoli di rotazione/inclinazione)

Stabilizzatore elettronico

## 16.7 Ambiente

---

Interno/Esterno

---

Temperatura di esercizio: da -40°C fino a +65°C

---

Intervento della funzione di de-icing: da -40°C fino a -10°C

---

Resistenza al vento

- Brandeggio a riposo: 220km/h max
- Brandeggio in movimento, alla massima velocità, con illuminatori a LED: 140km/h max

---

Umidità relativa: da 10% fino a 95% (senza condensa)

## 16.8 Certificazioni

---

Sicurezza elettrica (CE): EN60950-1, IEC60950-1

---

Compatibilità elettromagnetica (CE): EN50130-4, EN61000-6-4, EN55022 (Classe A), EN55032 (Classe A), FCC Part 15 (Classe A)

---

Installazione all'esterno (CE): EN60950-22, IEC60950-22

---

Grado di protezione IP: EN60529, IP66

---

Resistenza alla nebbia salina: EN50130-5, EN60068-2-52

---

Certificazione UL: cULus Listed,TYPE 4X (solo versioni in 24Vac e 120Vac)

---

Certificazione EAC

---

Test vibrazioni: EN50130-5 Cl. 22, Cl. 23 (EN60068-2-6)

# 17 Disegni tecnici



Le dimensioni dei disegni sono espresse in millimetri.

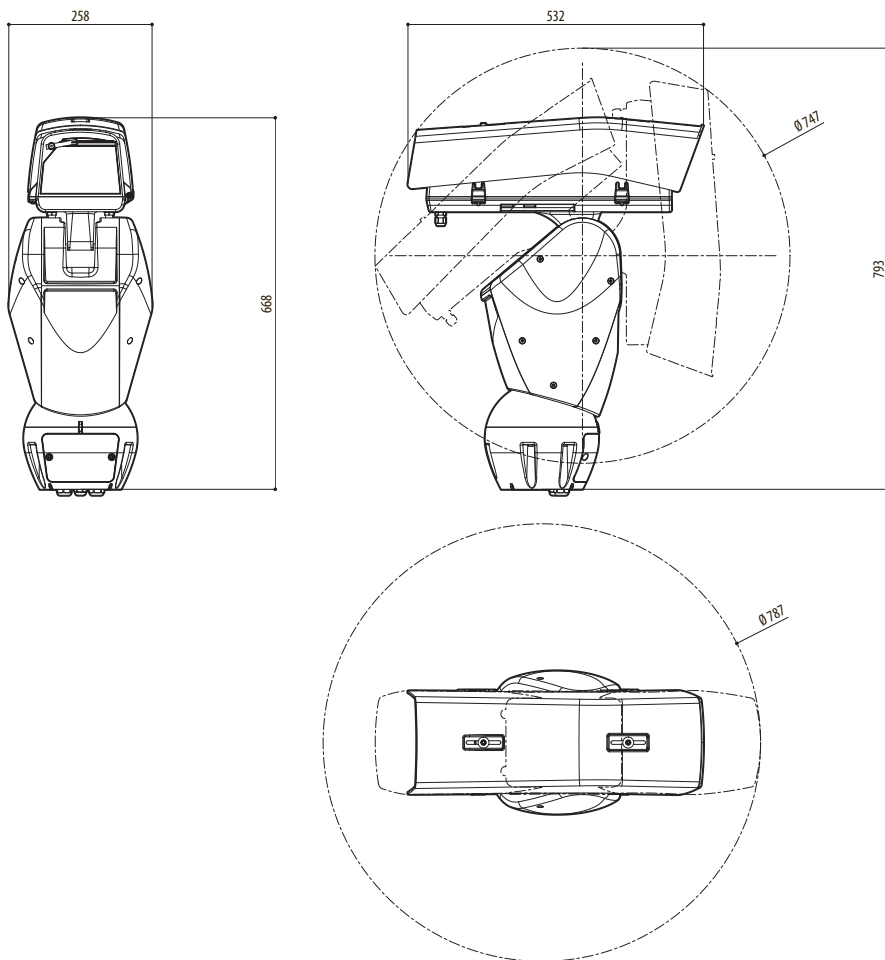
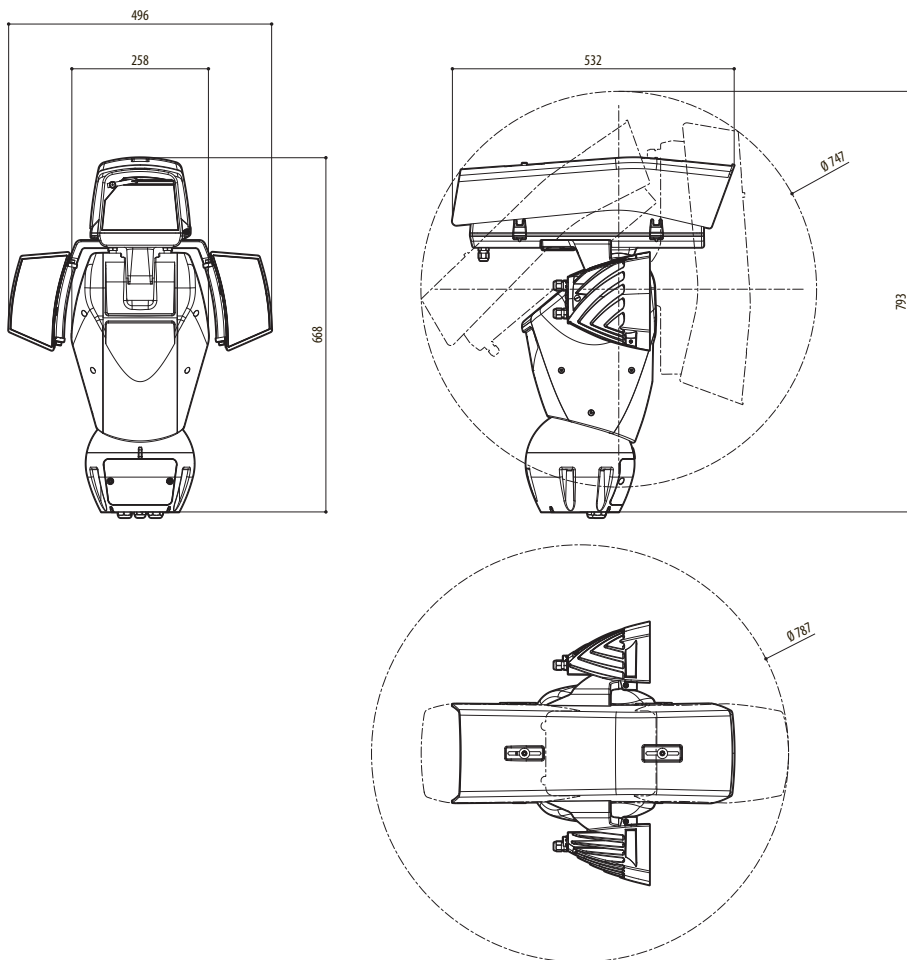
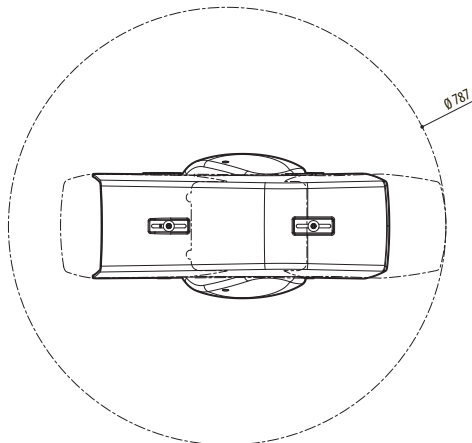
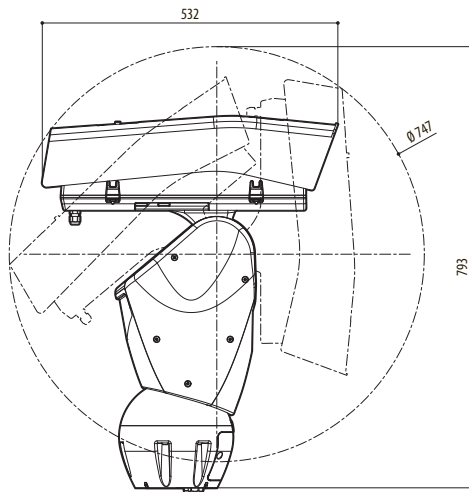
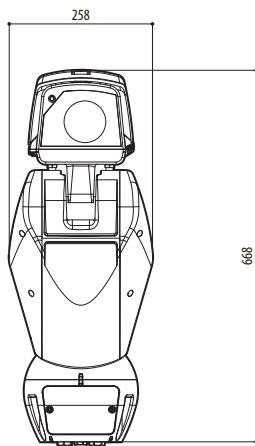


Fig. 109 ULISSE2.

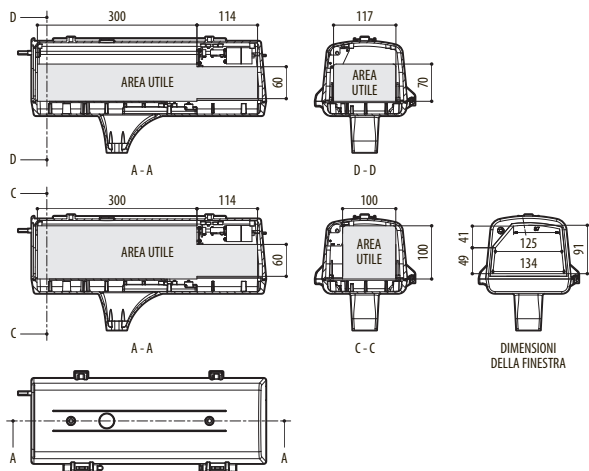


**Fig. 110** ULISSE2, versione con due illuminatori a LED.

FINESTRA  
IN GERMANIO



**Fig. 111** ULISSE2, versione per telecamere termiche.



**Fig. 112** ULISSE2, custodia.

**Headquarters Italy** Videotec S.p.A.

Via Friuli, 6 - I-36015 Schio (VI) - Italy  
Tel. +39 0445 697411 - Fax +39 0445 697414  
Email: info@videotec.com

**Asia Pacific** Videotec (HK) Ltd

Flat 8, 19/F. On Dak Industrial Building, No. 2-6 Wah Sing Street  
Kwai Chung, New Territories - Hong Kong  
Tel. +852 2333 0601 - Fax +852 2311 0026  
Email: info.hk@videotec.com

**France** Videotec France SARL

Immeuble Le Montreal, 19bis Avenue du Québec, ZA de Courtaboeuf  
91140 Villebon sur Yvette - France  
Tel. +33 1 60491816 - Fax +33 1 69284736  
Email: info.fr@videotec.com

**Americas** Videotec Security, Inc.

Gateway Industrial Park, 35 Gateway Drive, Suite 100  
Plattsburgh, NY 12901 - U.S.A.  
Tel. +1 518 825 0020 - Fax +1 518 825 0022  
Email: info.usa@videotec.com - www.videotec.com



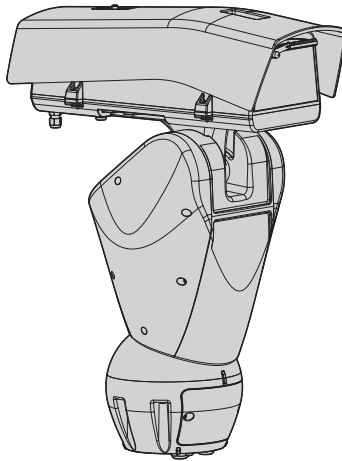
www.videotec.com  
MNVCU2\_1638\_IT





# ULISSE2

PTZ Full IP universel pour caméras IP





|   |           |
|---|-----------|
| <b>1 À propos de ce mode d'emploi .....</b>   | <b>7</b>  |
| 1.1 Conventions typographiques .....  | 7         |
| <b>2 Notes sur le copyright et informations sur les marques de commerce .....</b>                             | <b>7</b>  |
| <b>3 Normes de sécurité.....</b>  | <b>8</b>  |
| <b>4 Identification.....</b>  | <b>10</b> |
| 4.1 Description et désignation du produit .....   | 10        |
| 4.2 Vue d'ensemble du produit.....  | 10        |
| 4.3 Marquage du produit .....   | 11        |
| 4.3.1 Contrôle du marquage .....  | 11        |
| <b>5 Versions .....</b>   | <b>11</b> |
| 5.1 Fenêtre en germanium .....  | 11        |
| <b>6 Préparation du produit en vue de l'utilisation.....</b>  | <b>12</b> |
| 6.1 Précautions de sécurité avant l'utilisation .....   | 12        |
| 6.2 Déballage.....  | 12        |
| 6.3 Contenu.....  | 12        |
| 6.4 Élimination sans danger des matériaux d'emballage.....  | 12        |
| 6.5 Opérations à effectuer avant l'installation.....  | 13        |
| 6.5.1 Fixation du support .....   | 13        |
| 6.5.2 Passage des câbles .....  | 13        |
| 6.5.3 Préconfiguration de la caméra tierce .....  | 13        |
| <b>7 Assemblage.....</b>  | <b>14</b> |
| 7.1 Caractéristiques des caméras.....   | 14        |
| 7.2 Fixation du double toit .....   | 14        |
| 7.3 Montage caméras, systèmes optiques motorisés.....   | 14        |
| 7.3.1 Ouverture du caisson.....   | 14        |
| 7.3.2 Installation de la caméra .....   | 15        |
| 7.4 Branchement de la caméra et de l'optique motorisée.....   | 17        |
| 7.4.1 Description de la carte du caisson .....  | 17        |
| 7.4.2 Valeurs nominales maximales de la caméra et de l'optique motorisée.....                                 | 18        |
| 7.4.3 Branchement de la caméra réseau.....  | 18        |
| 7.4.4 Branchement des optiques motorisées contrôlées en tension .....   | 19        |
| 7.4.4.1 Branchement des optiques avec moteurs à inversion de polarité.....                                    | 19        |
| 7.4.4.2 Branchement des optiques avec moteurs à fil commun.....   | 19        |
| 7.4.4.3 Réglage de la tension d'alimentation des moteurs des optiques.....                                    | 19        |
| 7.4.4.4 Branchement des potentiomètres .....  | 19        |
| 7.4.4.5 One Push Autofocus .....  | 20        |
| 7.4.5 Branchement des optiques motorisées contrôlées par la ligne sérielle.....                               | 20        |
| 7.4.6 Installation du module caméra visible (en option) .....   | 20        |
| 7.4.7 Installation du corps supérieur du caisson avec vitre chauffée antigel et essuie-glace (en option)..... | 21        |
| 7.4.8 Fermeture du caisson.....   | 21        |
| <b>8 Installation .....</b>   | <b>21</b> |
| 8.1 Fixage de la base au support.....   | 21        |

|           |   |           |
|-----------|---|-----------|
| 8.2       | Branchement de la tourelle à l'installation .....                                       | 23        |
| 8.2.1     | Description de la carte de connexion .....  | 23        |
| 8.2.2     | Connexion de la ligne d'alimentation .....  | 23        |
| 8.2.3     | Connexion des câbles de signalisation.....  | 24        |
| 8.2.3.1   | Branchement du câble de réseau Ethernet.....  | 24        |
| 8.2.3.2   | Branchement des entrées d'alarme, de l'interrupteur crépusculaire et des relais.....    | 24        |
| 8.3       | Sélection du mode de fonctionnement de l'unité .....                                    | 25        |
| 8.3.1     | Description du mode Master Selection.....   | 25        |
| 8.3.2     | Description de la procédure des standards d'usine.....                                  | 26        |
| 8.4       | Fermeture du module des connecteurs .....   | 26        |
| 8.5       | Installation de la carte mémoire.....   | 26        |
| 8.6       | Fixation du corps supérieur .....   | 27        |
| 8.7       | Montage des projecteurs à LED (en option) .....   | 27        |
| 8.7.1     | Montage de l'étrier.....  | 27        |
| 8.7.2     | Montage du projecteur sur l'étrier .....  | 28        |
| 8.8       | Branchement des projecteur à LED.....   | 29        |
| 8.9       | Réglage et modalité d'activation des projecteurs à LED.....                             | 29        |
| 8.9.1     | Réglage du seuil d'allumage des projecteurs à LED.....                                  | 30        |
| 8.9.2     | Réglage de la puissance des projecteurs à LED.....                                      | 30        |
| 8.9.3     | Activation des projecteurs à LED à l'aide d'un interrupteur crépusculaire externe ..... | 31        |
| 8.9.4     | Activation des projecteurs à LED à l'aide du détecteur crépusculaire intégré.....       | 31        |
| 8.9.5     | Activation des projecteurs à LED à l'aide de la caméra .....                            | 31        |
| 8.9.6     | Activation manuelle des projecteurs à LED .....   | 31        |
| <b>9</b>  | <b>Allumage .....</b>   | <b>32</b> |
| <b>10</b> | <b>Configuration.....</b>   | <b>32</b> |
| 10.1      | Adresse IP par défaut.....  | 32        |
| 10.2      | Identification de l'adresse MAC.....  | 32        |
| 10.3      | Interface web .....   | 33        |
| 10.3.1    | Premier accès aux pages web.....  | 33        |
| 10.3.2    | Page Configuration du Matériel.....   | 33        |
| 10.3.3    | Page Home .....   | 36        |
| 10.3.3.1  | Instantané de la vidéo .....  | 36        |
| 10.3.3.2  | État du système.....  | 36        |
| 10.3.3.3  | Mouvement horizontal et vertical.....   | 37        |
| 10.3.3.4  | Contrôle des optiques .....   | 37        |
| 10.3.3.5  | Contrôle de l'essuie-glace et de l'installation de lavage .....                         | 37        |
| 10.3.3.6  | Contrôle du mode Jour/Nuit.....   | 37        |
| 10.3.3.7  | Contrôle du projecteur Slave .....  | 37        |
| 10.3.3.8  | Gestion du preset .....   | 38        |
| 10.3.3.9  | Contrôle du relais et de l'état des alarmes .....                                       | 38        |
| 10.3.3.10 | Contrôle de l'appareil via le clavier.....  | 38        |
| 10.3.4    | Page Paramètres Dispositif.....   | 39        |
| 10.3.5    | Page Statistiques Dispositif .....  | 39        |
| 10.3.6    | Page Réseau .....   | 39        |
| 10.3.7    | Page Utilisateurs.....  | 40        |
| 10.3.8    | Page Mouvements.....  | 40        |
| 10.3.9    | Page Autopan .....  | 41        |
| 10.3.10   | Page Patrol .....   | 41        |
| 10.3.11   | Page Rappel Mouvements .....  | 41        |

|   |           |
|---|-----------|
| 10.3.12 Page Preset.....                                    | 42        |
| 10.3.13 Page Preset (Avancé).....                           | 42        |
| 10.3.14 Page Entrées Numériques .....                       | 42        |
| 10.3.15 Page Sorties Numériques .....                       | 43        |
| 10.3.16 Page Commandes Auxiliaires.....                     | 43        |
| 10.3.17 Page Mode Nuit.....                                 | 44        |
| 10.3.18 Page Installation de Lavage .....                   | 45        |
| 10.3.19 Page Configuration Caméra.....                      | 46        |
| 10.3.19.1 Caméra tierce .....                               | 46        |
| 10.3.19.2 Module caméra visible.....                        | 46        |
| 10.3.20 Page Masquage .....                                 | 48        |
| 10.3.21 Page Registre Système.....                          | 49        |
| 10.3.22 Page Instruments.....                               | 49        |
| <b>11 Accessoires .....</b>                                 | <b>50</b> |
| 11.1 Système de lavage .....                                | 50        |
| 11.2 Bride de support pour projecteurs à LED .....          | 50        |
| 11.3 Projecteurs à LED.....                                 | 50        |
| 11.4 Support fixation murale.....                           | 50        |
| 11.5 Support fixation sol .....                             | 50        |
| 11.6 Module caméra visible .....                            | 51        |
| 11.7 Vitre chauffée antigel.....                            | 51        |
| <b>12 Entretien.....</b>                                    | <b>52</b> |
| 12.1 Remplacement des fusibles.....                         | 52        |
| <b>13 Nettoyage.....</b>                                    | <b>52</b> |
| 13.1 Entretien de la vitre et des parties en plastique..... | 52        |
| 13.2 Nettoyage de la fenêtre en germanium.....              | 52        |
| <b>14 Élimination des déchets.....</b>                      | <b>52</b> |
| <b>15 Dépannage.....</b>                                    | <b>53</b> |
| <b>16 Données techniques.....</b>                           | <b>56</b> |
| 16.1 Généralités.....                                       | 56        |
| 16.2 Mécanique .....  | 56        |
| 16.3 Fenêtres pour caisson .....                            | 57        |
| 16.4 Électrique .....                                       | 57        |
| 16.5 Réseau .....   | 57        |
| 16.6 Caméra .....   | 58        |
| 16.7 Environnement .....                                    | 59        |
| 16.8 Certifications.....                                    | 59        |
| <b>17 Dessins techniques.....</b>                           | <b>60</b> |



# 1 À propos de ce mode d'emploi

Avant d'installer et d'utiliser cette unité, lire attentivement toute la documentation fournie. Garder le manuel à portée de main pour des consultations successives.

## 1.1 Conventions typographiques



### **DANGER!**

**Risque élevé.**

**Risque de choc électrique. Sauf indication contraire, sectionner l'alimentation avant de procéder à toute opération.**



### **DANGER!**

**Danger mécanique.**

**Risque d'écrasement ou de cisaillement.**



### **DANGER!**

**Surface à température élevée.**

**Évitez le contact. La température des surfaces est élevée et leur contact peut provoquer des blessures corporelles.**



### **DANGER!**

**Émission de lumière visible ou infrarouge. Peut être dangereux pour les yeux. Suivre les indications fournies.**



### **ATTENTION!**

**Risque moyen.**

**Opération extrêmement importante en vue d'un fonctionnement correct du système. Lire avec attention les opérations indiquées et s'y conformer rigoureusement.**



### **REMARQUE**

**Description des caractéristiques du système.**

**Il est conseillé de procéder à une lecture attentive pour une meilleure compréhension des phases suivantes.**

## 2 Notes sur le copyright et informations sur les marques de commerce

Les noms de produit ou de sociétés cités sont des marques de commerce ou des marques de commerce enregistrées.

## 3 Normes de sécurité



**ATTENTION!** Le circuit électrique auquel l'unité est reliée doit être équipé d'un interrupteur de protection bipolaire automatique de 20A max. Cet interrupteur doit être de type Listed. La distance minimale entre les de l'interrupteur de protection contacts doit être de 3mm. L'interrupteur doit être équipé de protection contre le courant de défaut vers la terre (différentiel) et le surintensité (magnétothermique).



**Sectionner l'alimentation avant de procéder à toute opération.**



**ATTENTION! Parties mobiles dangereuses. Ne pas approcher les doigts ou d'autres parties du corps.**



**ATTENTION! L'installation et l'entretien du dispositif doivent être effectués exclusivement par un personnel technique qualifié.**



**ATTENTION! Pour assurer la protection contre le risque d'incendie, remplacer les fusibles avec le même type et valeur. Les fusibles doivent être remplacés seulement par un personnel qualifié.**



**ATTENTION! L'installation est du type TNV-1. Ne pas la connecter à des circuits SELV.**



**ATTENTION! Pour réduire les risques d'incendie, utiliser uniquement des câbles certifiés UL Listed ou CSA de sections égales ou supérieures à 0.14mm<sup>2</sup> (26AWG).**



**ATTENTION! Avant l'ouverture du produit, débrancher le connecteur du circuit TNV.**

- Le fabricant décline toute responsabilité pour les dommages éventuels dus à une utilisation non appropriée des appareils mentionnés dans ce manuel. On réserve en outre le droit d'en modifier le contenu sans préavis. La documentation contenue dans ce manuel a été rassemblée et vérifiée avec le plus grand soin. Le fabricant, cependant, ne peut assumer aucune responsabilité dérivant de l'emploi de celle là. La même chose vaut pour chaque personne ou société impliquées dans la création et la production de ce manuel.



- Ne pas utiliser de câbles usés ou endommagés.
- Ne procéder sous aucun prétexte à des modifications ou des connexions non prévues dans ce manuel. L'utilisation d'appareils non adéquats peut comporter des dangers graves pour la sécurité du personnel et de l'installation.
- Utiliser uniquement des pièces de rechange d'origine. Les pièces non d'origine peuvent être source d'incendies, de choc électrique ou autres.
- Avant de procéder à l'installation, contrôler que le matériel fourni correspond à la commande et examiner les étiquettes de marquage (4.3 Marquage du produit, page 11).
- Cet appareil est conçu pour être fixé et relié de manière permanente sur un bâtiment ou une structure adéquate. L'appareil doit être fixé et relié de manière permanente avant d'effectuer toute opération.
- Le projet a été conçu pour ne loger que des caméras dûment certifiées.
- La valeur nominale maximale de la caméra doit être de 12Vdc et de 18W max. (57Vdc, 13W max. pour les versions PoE).
- L'installation électrique doit être équipée d'un sectionneur de réseau facile à reconnaître et à utiliser en cas de nécessité.
- La borne de terre disponible dans le produit doit être connecté en permanence à la terre.
- La catégorie d'installation (ou catégorie de surtension) spécifie les niveaux de la tension de secteur correspondant à l'appareil. La catégorie dépend du lieu d'installation et du dispositif de protection contre les surtensions installé. En cas d'environnement industriel directement connecté aux circuits de dérivation du système d'alimentation, l'équipement est classé dans la catégorie d'installation III. Dans ce cas, un déclassement à la catégorie II est nécessaire. Peut être obtenu au moyen d'un transformateur d'isolement avec blindage électrostatique entre le primaire et le secondaire ou en utilisant des dispositifs de protection contre les surtensions (SPD), UL listed, entre la phase et le neutre et entre le neutre et la terre. Les dispositifs SPD UL cités doivent être prévus pour limiter les surtensions transitoires en mode répétitif et pour les conditions nominales de fonctionnement suivantes: Type 2 (dispositifs SPD reliés en permanence au côté charge du côté du dispositif de protection contre les surintensités) ; courant nominal de décharge (In) 20kA min. Exemples d'utilisation possible : FERRAZ SHAWMUT, ST23401PG-CN, ST240SPG-CN spécifiés pour 120Vac/240Vca, (In=20kA). La distance maximale entre installation et réduction est de 5m.
- Le dispositif doit être correctement relié au circuit de terre.
- Raccorder le système à une source d'alimentation conforme à celle figurant sur l'étiquette de marquage du produit. Avant de procéder à l'installation, vérifier que la ligne électrique est sectionnée. La tension d'alimentation doit être comprise dans les limites ( $\pm 10\%$ ).

## 4 Identification

### 4.1 Description et désignation du produit

ULISSE2 est une unité PTZ Full IP d'extérieur pour la gestion complète et le contrôle de toutes les caméras IP et thermiques IP tierces (ONVIF-S ou équipées du port série RS485), avec accès direct via navigateur à l'interface de la caméra pour le réglage et le diagnostic.

Grâce au protocole ONVIF-S, la connectivité Full IP de l'unité ULISSE2 permet de contrôler via réseau toutes les fonctions de la caméra et de la tourelle, y compris les essuie-glaces, la pompe du lave-glace, le preset, l'activation des projecteurs et le réglage, à l'aide des systèmes de gestion vidéo (VMS) les plus présents sur le marché.

Les technologies de conception avancées utilisées ont permis d'optimiser certaines caractéristiques de la nouvelle unité PTZ, comme l'intervalle de température entre -40 °C et +65 °C. Les fonctions toujours actives de thermorégulation et de dégivrage par pression d'air évitent la formation de buée et garantissent la température idéale pour la caméra.

Les projecteurs à LED peuvent facilement être intégrés sur la tourelle, même après l'installation, sans nécessiter d'alimentateurs supplémentaires et indépendamment de la tension d'alimentation de l'unité. De plus, le deuxième projecteur peut être activé selon la configuration des paramètres de zoom, de positions de preset ou manuellement, afin d'éviter le point de lumière lorsqu'un sujet est encadré à proximité ou de pouvoir contrôler un phare à lumière blanche.

L'unité PTZ est munie d'essuie-glace qui, à l'aide du kit lave-vitre en option, permettent de garantir la propreté permanente de la fenêtre de la caméra pour une vision parfaite dans toutes les conditions météorologiques.

L'autotest efficace enregistre rapidement l'état du système. Tous les événements relevés sont enregistrés dans le journal interne. La carte Micro SD (pas livrée) permet de sauvegarder entièrement le système.

L'accessibilité élevée à la zone des connecteurs permet d'effectuer facilement et rapidement les opérations de câblage et de diagnostic, sans démonter le produit. L'unité ULISSE2 s'installe intégralement avec une seule clé hexagonale fournie.

### 4.2 Vue d'ensemble du produit

Le produit se compose de 4 parties:

1. Partie supérieure du caisson.
2. Caméra et optique motorisée tierces (non fournies)/Caméra avec optique intégrée tierce (non fournies)/Module caméra visible (accessoire).
3. Corps.
4. Base.

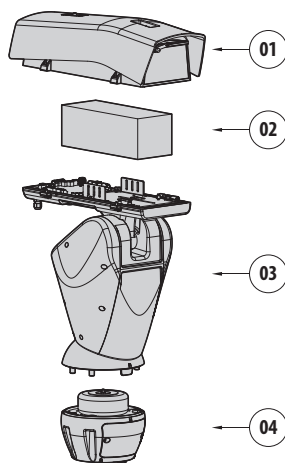


Fig. 1

## 4.3 Marquage du produit



Les tourelles portent un étiquette conforme au marquage CE.

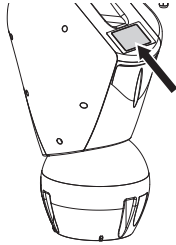


Fig. 2

L'étiquette indique:

- Code d'identification du modèle (Code barres Extended 3/9).
- Tension d'alimentation (Volt).
- Fréquence (Hertz).
- Courant absorbé (Ampères).
- Étanchéité (IP).
- Numéro de série.

### 4.3.1 Contrôle du marquage

Avant de procéder à l'installation, contrôler que le matériel fourni correspond à la commande et examiner les étiquettes de marquage.

Ne procéder sous aucun prétexte à des modifications ou des connexions non prévues dans ce manuel. L'utilisation d'appareils non adéquats peut comporter des dangers graves pour la sécurité du personnel et de l'installation.

## 5 Versions

### 5.1 Fenêtre en germanium

La version équipée d'une fenêtre au germanium, est prévue pour protéger les caméras thermiques des agressions climatiques extérieures.

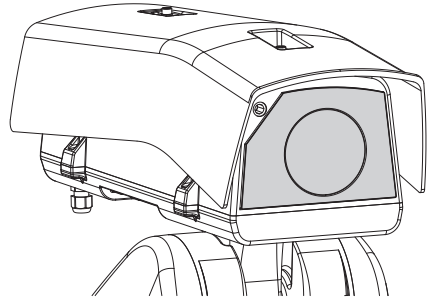


Fig. 3

## 6 Préparation du produit en vue de l'utilisation

**⚠** Toute modification non approuvée expressément par le fabricant entraînera l'annulation de la garantie.

**⚠** L'unité ne doit être ni démontée ni altérée. Les seules exceptions concernent les opérations de montage et d'entretien prévues dans ce manuel.

### 6.1 Précautions de sécurité avant l'utilisation

**⚠** L'appareil comprend des parties mobiles. S'assurer que l'unité est positionnée dans une zone non accessible pendant le fonctionnement. Appliquer l'étiquette fournie avec l'appareil près de l'objet et en position visible.



Fig. 4

### 6.2 Déballage

Lors de la livraison du produit, vérifier que l'emballage est en bon état et l'absence de tout signe évident de chute ou d'abrasion.

En cas de dommages évidents, contacter immédiatement le fournisseur.

En cas de retour du produit défectueux, il est conseillé d'utiliser l'emballage original pour le transport.

Conserver l'emballage en cas de nécessité d'expédition du produit pour réparation.

### 6.3 Contenu

Contrôler que le contenu correspond à la liste matériel indiquée ci-dessous:

- Unité de positionnement
- Base d'alimentation
- Emballage des accessoires:
  - Clé Allen
  - Entretoises
  - Étiquette
  - Colliers
  - Gaine en silicone
  - Joints de réduction pour presse-étoupes
  - Manuel d'instructions
  - Vis
- Double toit

### 6.4 Élimination sans danger des matériaux d'emballage

Le matériel d'emballage est entièrement composé de matériaux recyclables. Le technicien chargé de l'installation est tenu de l'éliminer conformément aux dispositions en matière de collecte sélective et selon les normes en vigueur dans le pays d'utilisation.

## 6.5 Opérations à effectuer avant l'installation

### 6.5.1 Fixation du support

Plusieurs types de supports sont disponibles (11 Accessoires, page 50). Choisir le support convenable à l'installation et suivre toutes les instructions dans le chapitre suggéré.

**⚠ Accorder une attention particulière aux systèmes de fixation de l'appareil. Le système de fixation doit être tout de même être en mesure de supporter au moins 4 fois le poids de tout l'appareil, y compris la tourelle, les objectifs et les caméras.**

**⚠ L'appareil doit être monté en position verticale. Tout autre position compromettrait le bon fonctionnement du système.**

**⚠ Il est impératif de ne pas monter la tête en bas.**

### 6.5.2 Passage des câbles

**⚠ Les câbles de connexion ne doivent pas être accessibles de l'extérieur. Les câbles doivent être fixés au support pour éviter que le poids excessif n'entraîne leur sortie accidentelle.**

**⚠ Les câbles utilisés doivent être conformes au type d'installation.**

Passer les câbles à l'intérieur du support jusqu'à ce qu'ils dépassent d'environ 50cm.

Pour d'autres renseignements se référer à le chapitre relatif (8.2 Branchement de la tourelle à l'installation, page 23).

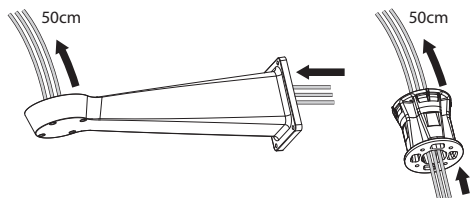


Fig. 5

### 6.5.3 Préconfiguration de la caméra tierce

**i Le système peut être interfacé avec un VMS (Video Management System) de 2 manières différentes: (8.3.1 Description du mode Master Selection, page 25). Si vous souhaitez utiliser le mode PTZ Master, vous devez configurer la caméra avant de procéder à son installation dans le caisson.**

La caméra doit être préconfigurée pour pouvoir acquérir l'adresse IP via DHCP.

La caméra doit être préconfigurée pour pouvoir communiquer avec le serveur NTP via DHCP. Si la configuration NTP via DHCP de la caméra n'est pas possible, configurez l'adresse statique suivante du serveur NTP: 192.0.0.1.

La caméra doit être préconfigurée pour pouvoir communiquer avec la tourelle par le biais du protocole ONVF, profil S. Choisissez avec soin le nom d'utilisateur et le mot de passe, car ils seront utilisés pour accéder à la configuration via Internet et pour associer le dispositif au VMS.

Le mot de passe peut contenir uniquement les caractères suivants (a-z, A-Z, 0-9, ,\_+@%/-()^\*[]{}#;~).

Certaines caméras peuvent ne pas prendre en charge le jeu de caractères susmentionné.

Au cas où la caméra dispose de l'optique intégrée, il est nécessaire de supprimer tous les presets de la caméra avant l'installation sur la tourelle.

## 7 Assemblage

### 7.1 Caractéristiques des caméras

- On peut monter seulement des caméras avec porte de communication Ethernet de type 100 baseTx.
- Seulement des caméras qui prévoient l'alimentation à travers une borne peuvent être installées. La tourelle ne peut pas fournir l'alimentation à la caméra par le câble Ethernet (Power over Ethernet).
- La tension d'alimentation de la caméra doit être de 12Vdc.
- Le courant maximum absorbé par la caméra doit être inférieur à la valeur indiquée ci-après: 1.5A.

### 7.2 Fixation du double toit

Fixez le toit pare-soleil sur le caisson à l'aide de vis et de rondelles vissées sur la partie supérieure du corps du caisson.

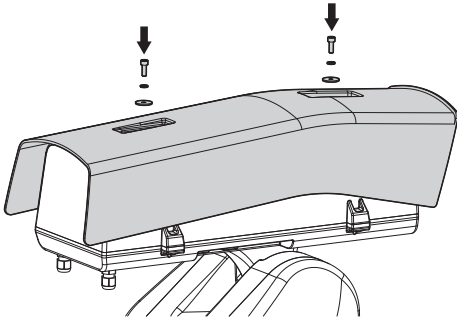


Fig. 6

Nous vous conseillons de fixer le toit le plus en avant possible pour éviter les reflets du soleil et les gouttes d'eau.

### 7.3 Montage caméras, systèmes optiques motorisés

Le montage de la caméra et des objectifs correspondants est laissé aux soins du client.

#### 7.3.1 Ouverture du caisson

Dévisser les 2 vis placées sur le côté, faire tourner le toit pare-soleil et le corps supérieur autour de l'axe des charnières d'ouverture.

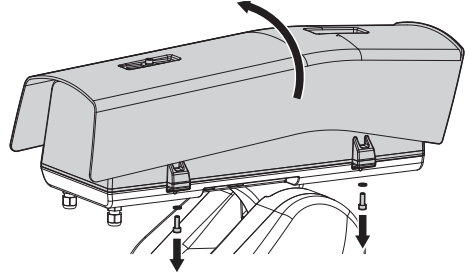


Fig. 7



**DANGER!**

**Danger mécanique.**

**Risque d'écrasement ou de cisaillement.**

### 7.3.2 Installation de la caméra

La caméra et ses optiques doivent être installées dans le caisson à l'aide de la glissière prévue à cet effet (utilisez les vis et les rondelles fournies). La glissière est composée de 2 parties : la glissière principale (01) et la glissière pour la caméra (02).

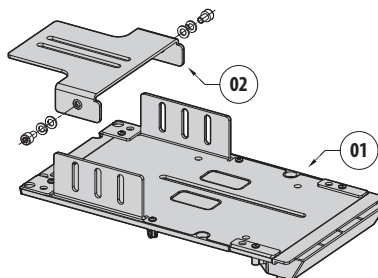


Fig. 8

Assemblez l'optique sur la caméra. Si l'optique est de type C et la caméra de type CS, vous devez utiliser une entretoise.

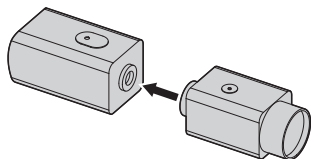


Fig. 9

Vissez en partie la vis à 1/4" de la caméra, afin de pouvoir régler sa glissière. La glissière de la caméra peut être montée dans différentes positions. Selon la position de la glissière de la caméra, utilisez l'un des 2 œilletons pour la fixer. Pour une tenue optimale, utilisez les rondelles plates et dentelées.

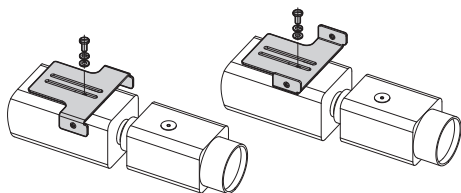


Fig. 10

Selon la forme ou la taille de l'optique, vous devrez peut-être utiliser une entretoise. Alignez le trou de l'entretoise sur le trou de l'optique.

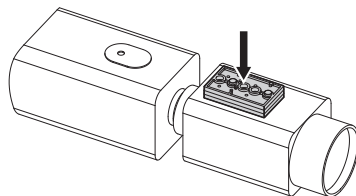


Fig. 11

Dévissez les vis pour retirer la glissière principale du corps du caisson.

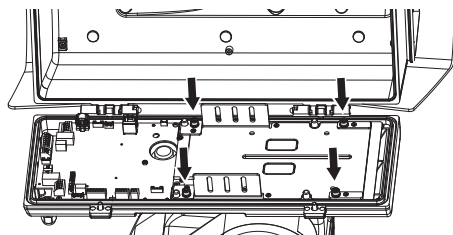


Fig. 12

Après avoir monté la caméra, l'optique et la glissière de la caméra, placez cette dernière sur la glissière principale. Vissez en partie la vis à 1/4" de l'optique, afin de pouvoir régler sa glissière principale. Pour une tenue optimale, utilisez les rondelles plates et dentelées.

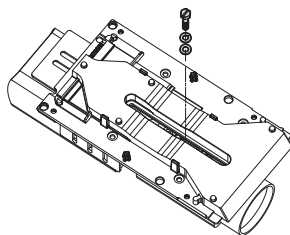


Fig. 13

Alignez le bord de l'optique sur le bord de la glissière.

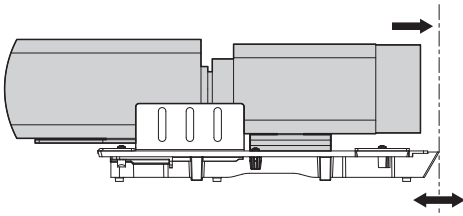


Fig. 14

Une fois les bords alignés, sans bouger le bloc de la caméra et de l'optique, faites glisser la glissière de la caméra au niveau de l'un des 3 œillets présents sur la glissière principale.

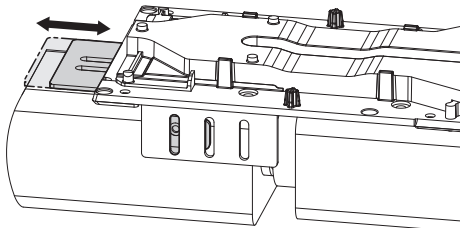


Fig. 15

Une fois la position optimale atteinte, retirez la glissière principale (en veillant à ne pas perdre la position) et fixez la vis à 1/4".

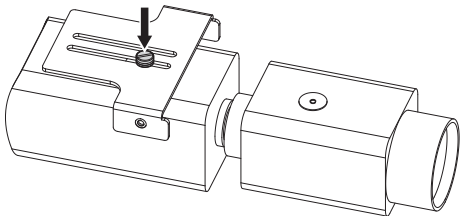


Fig. 16

Remplacez la glissière principale sur le bloc caméra/optique/glissière. Faites coïncider le trou de la glissière de la caméra avec l'œillet de la glissière principale choisi précédemment (01). Vissez en partie les vis de la glissière de la caméra (vis et rondelles fournies). Pour une tenue optimale, utilisez les rondelles plates et dentelées. Fixez la vis à 1/4" de l'optique (02).

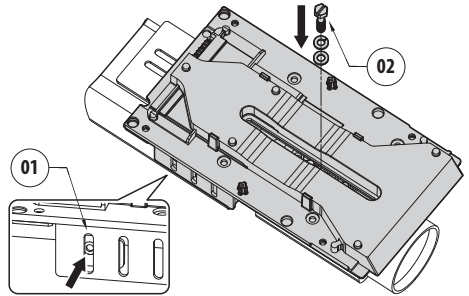


Fig. 17

Visser complètement les vis de la glissière de la caméra.

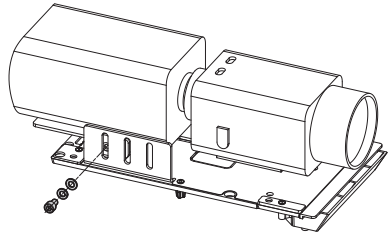


Fig. 18



**Faire attention pendant la fixation. Couple de serrage: 2.1Nm.**



Placez la caméra dans le caisson et fixez-la à l'aide des vis et des rondelles.

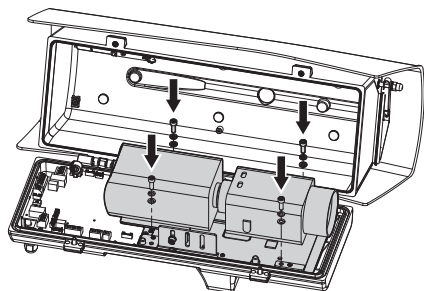


Fig. 19

**⚠** Faire attention pendant la fixation. Couple de serrage: 2.1Nm.

## 7.4 Branchement de la caméra et de l'optique motorisée

**⚠** Avant de procéder aux branchements, vérifier que les tensions fournies par la carte sont dans les limites prévues pour l'appareil.

La carte électronique est prévue pour contrôler les caméras avec optiques motorisées, éventuellement équipées de potentiomètres pour le contrôle de la position atteinte.

## 7.4.1 Description de la carte du caisson

| DESCRIPTION DE LA CARTE |   |
|-------------------------|---|
| Compo-sant              | Fonction  |
| J4                      | Non utilisé   |
| J5                      | RS-485 (optique)  |
| J6                      | Lecture des potentiomètres de l'optique   |
| J7                      | Alimentation des moteurs de l'optique, One Push AF  |
| J8                      | Alimentation des moteurs de l'optique, One Push AF, lecture des potentiomètres de l'optique |
| J9                      | Visible cut filter  |
| J10                     | Alimentation et contrôle (caméra intégrée)  |
| J11                     | Alimentation et contrôle (projecteur Slave)   |
| J12                     | Diagnostic de la carte  |
| J13                     | RS-485 (caméra)   |
| J14                     | Alimentation de la camera, entrée des alarmes de la caméra, sortie des alarmes de la caméra |
| J15                     | Alimentation et contrôle (projecteur Master)  |
| J16                     | Verre réchauffé   |
| J17                     | Essuie-glace  |
| J18                     | Ethernet  |
| DIP2                    | Tension des optiques  |
| DIP3                    | Configuration du caisson  |
| LD7                     | État de l'alimentateur interne (5V)   |
| LD8                     | État de l'alimentateur interne (3,3V)   |
| LD9                     | État du firmware  |
| LD10                    | État de l'alimentation de la caméra   |
| LD11                    | État de l'alimentateur interne (12V)  |
| LD12                    | État de l'alimentateur PoE  |

Tab. 1

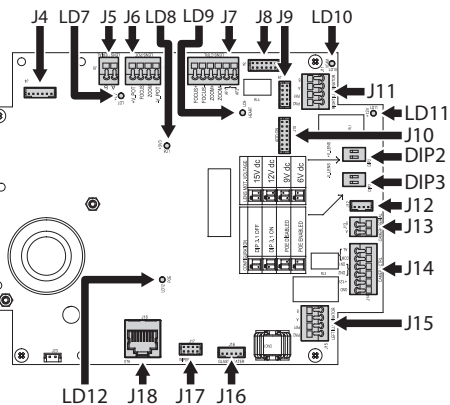


Fig. 20

### 7.4.2 Valeurs nominales maximales de la caméra et de l'optique motorisée

Les valeurs nominales maximales sont indiquées dans le tableau suivant.

| VALEURS NOMINALES MAXIMALES DE LA CAMÉRA ET DE L'OPTIQUE MOTORISÉE |                        |                                      |
|--|------------------------|--------------------------------------|
| Tension  | Courant                | Description                          |
| +12V   | 1500mA max             | Alimentation de la caméra            |
| +5V  | 15mA max               | Alimentation potentiomètres optiques |
| de 6Vdc à 15Vdc (adjustable)                                       | 200mA max (Focus+Zoom) | Alimentation moteurs optiques        |

Tab. 2

### 7.4.3 Branchement de la caméra réseau

Branchez l'alimentation, la ligne de données et les alarmes (en option) de la caméra, comme illustré dans la figure. Si la tourelle est contrôlée avec le mode Camera Master, reliez la ligne sérielle de contrôle RS-485 (8.3 Sélection du mode de fonctionnement de l'unité, page 25).

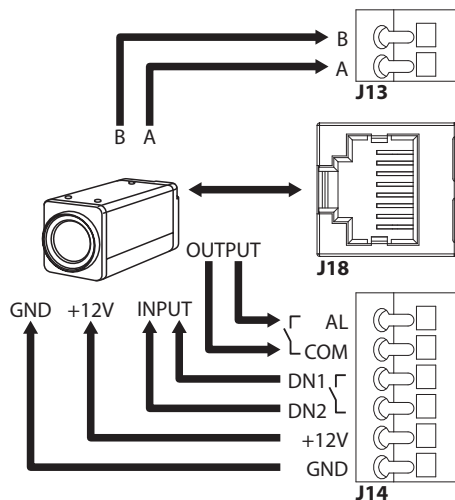


Fig. 21

La LED LD10 allumée indique qu'une tension de 12 V en CC est présente sur la borne d'alimentation de la caméra.

Le système relève la température ambiante lors de la mise en marche. Il empêche l'activation de la caméra tant que la température de fonctionnement minimale (démarrage à froid) n'est pas atteinte.

Lorsque les projecteurs sont éteints, les bornes DN1 et DN2 sont utilisés pour forcer le mode Nuit de la caméra.

En mode Camera Master, les bornes AL et COM sont utilisés pour transmettre l'état de l'alarme de la caméra au Relais de la base de la tourelle (RL1A, RL1B, 8.2.3.2 Branchement des entrées d'alarme, de l'interrupteur crépusculaire et des relais, page 24).

**i** Regrouper le câble en excès pour éviter les interférences avec le fonctionnement de l'essuie-glace (dans les versions qui en sont équipées).

## 7.4.4 Branchement des optiques motorisées contrôlées en tension

Toutes les options de configuration doivent être définies dans le chapitre correspondant (10.3.2 Page Configuration du Matériel, page 33).

### 7.4.4.1 Branchement des optiques avec moteurs à inversion de polarité

Si les moteurs de l'optique sont à inversion de polarité, suivez le schéma de branchement ci-dessous.

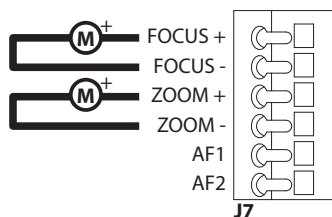


Fig. 22

### 7.4.4.2 Branchement des optiques avec moteurs à fil commun

Si les moteurs de l'optique sont à fil commun, suivez le schéma de branchement ci-dessous.

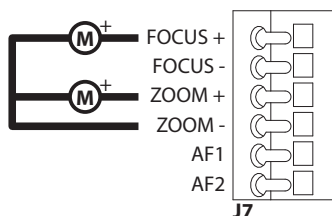


Fig. 23

### 7.4.4.3 Réglage de la tension d'alimentation des moteurs des optiques

Avant d'alimenter la tourelle, sélectionnez la tension d'alimentation des optiques en agissant sur le DIP switch de tension des optiques (DIP2, 7.4.1 Description de la carte du caisson, page 17).

| RÉGLAGE DE LA TENSION D'ALIMENTATION DES MOTEURS DES OPTIQUES |     |         |
|---|-----|---------|
| SW1   | SW2 | Tension |
| OFF   | OFF | 15Vdc   |
| ON  | OFF | 12Vdc   |
| OFF   | ON  | 9Vdc    |
| ON  | ON  | 6Vdc    |

Tab. 3

### 7.4.4.4 Branchement des potentiomètres

Effectuer les connexions comme illustré en figure.

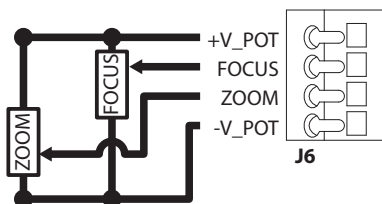


Fig. 24

### 7.4.4.5 One Push Autofocus

Certains types d'optiques motorisées sont en mesure de gérer l'autofocus.

Effectuer les connexions comme illustré en figure.

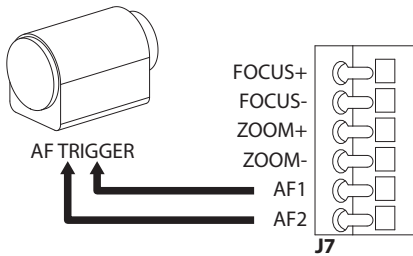


Fig. 25

### 7.4.5 Branchement des optiques motorisées contrôlées par la ligne sérielle

Certains types d'optiques motorisées peuvent être contrôlés via la ligne sérielle RS-485.

Effectuer les connexions comme illustré en figure.

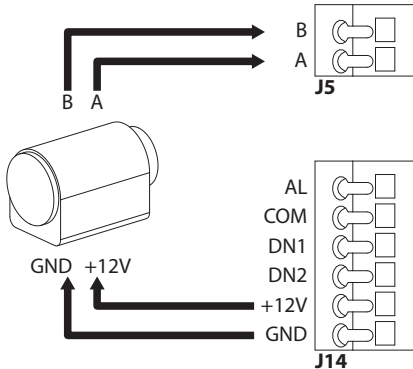


Fig. 26

### 7.4.6 Installation du module caméra visible (en option)

Démontez la glissière présente dans le caisson et fixez-la au module caméra. Utilisez les vis et les rondelles fournies.

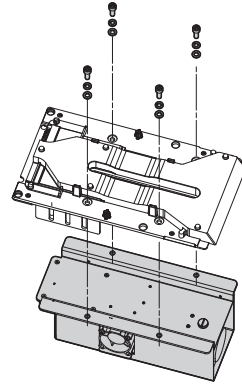


Fig. 27

Placez la glissière dans le caisson et fixez-la à l'aide des vis préalablement retirées.

La carte du caisson contient 2 connecteurs qui permettent d'alimenter la caméra et de communiquer avec elle (J10, J18, 7.4.1 Description de la carte du caisson, page 17). Branchez la caméra à l'aide des 2 câbles fournis.

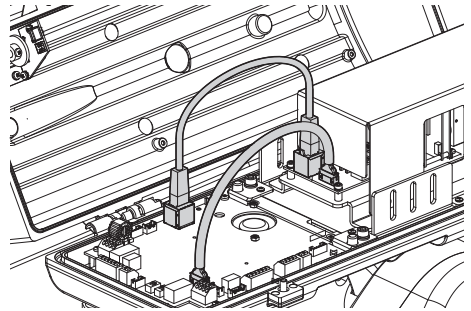


Fig. 28

Configurez le type de caméra (CAMHD30X, 10.3.2 Page Configuration du Matériel, page 33).

### 7.4.7 Installation du corps supérieur du caisson avec vitre chauffée antigel et essuie-glace (en option)

Débranchez le câble d'alimentation de l'essuie-glace. Démontez le corps supérieur du caisson en dévissant les vis. Faites pivoter légèrement la partie supérieure du caisson pour faciliter le retrait des vis de la charnière.

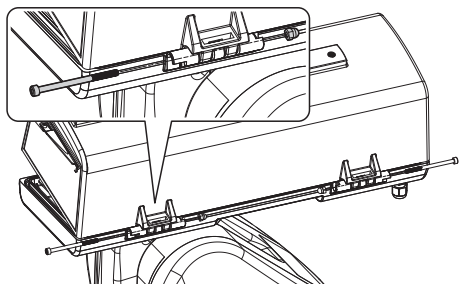


Fig. 29

Montez le nouveau corps supérieur à l'aide des vis préalablement retirées.

**⚠ Faire attention pendant la fixation. Couple de serrage: 1.2Nm.**

La carte du caisson contient 2 connecteurs qui permettent d'alimenter le verre réchauffé et l'essuie-glace (J16, J17, 7.4.1 Description de la carte du caisson, page 17). Branchez les 2 câbles du corps supérieur du caisson aux 2 connecteurs de la carte du caisson.

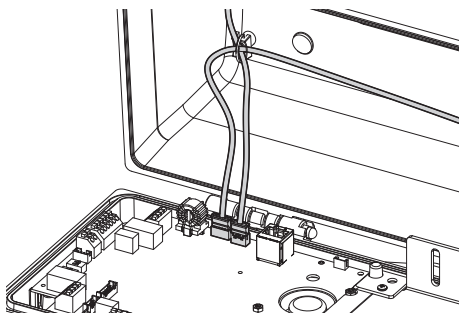


Fig. 30

Activez la gestion du verre réchauffé (10.3.2 Page Configuration du Matériel, page 33).

### 7.4.8 Fermeture du caisson

Au terme des opérations d'installation et de câblage, refermer le produit.

Contrôlez la présence et le bon état de la garniture du caisson.

**⚠ Faire attention pendant la fixation. Couple de serrage: 6Nm.**

## 8 Installation

**⚠ Ne procéder sous aucun prétexte à des modifications ou des connexions non prévues dans ce manuel. L'utilisation d'appareils inadéquats peut comporter des risques sérieux pour les appareils et la sécurité du personnel.**

**⚠ Ne pas modifier les câblages du produit. La non observation de cette indication peut entraîner des risques graves pour la sécurité du personnel de l'installation et annuler la garantie.**

### 8.1 Fixage de la base au support

Retirez la base de l'unité.

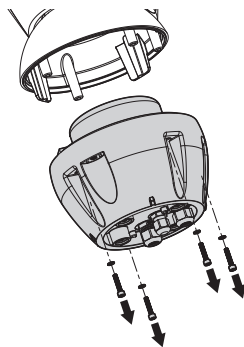


Fig. 31

Ouvrir le panneau de configuration en desserrant les vis comme illustré en figure.

Passer les câbles dans les presse-câbles en maintenant la base à environ 20cm du support.

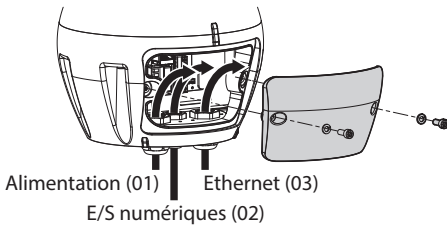


Fig. 32

Utilisez les câbles d'alimentation (01) et les câbles réseau Ethernet (03) d'un diamètre compris entre 5 et 13 mm. Si le câble réseau Ethernet est déjà doté d'un connecteur, utilisez la garniture fournie.

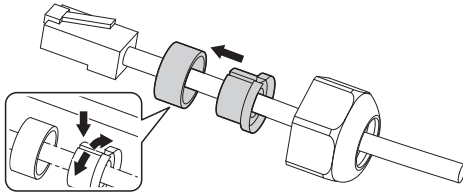


Fig. 33

**⚠ Faire attention pendant la fixation. Couple de serrage: 2.7Nm.**

Utilisez un câble pour les E/S digitales (02) d'un diamètre compris entre 5 et 10 mm (pour les diamètres entre 3 et 7 mm, utilisez la garniture fournie).

**⚠ Faire attention pendant la fixation. Couple de serrage: 2Nm.**

Après avoir positionné le joint (01), fixer la base (02) au support (03) en utilisant les vis (04), les rondelles à dents (05) et les bagues pour vis (06).

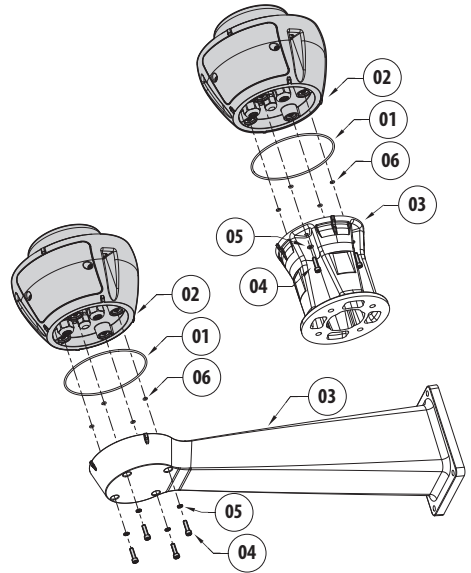


Fig. 34

**⚠ Utilisez les vis et les rondelles fournies avec le support.**

**⚠ Appliquez sur les trous des vis un produit de freinage du filet (Loctite 243®).**

**⚠ Faire attention pendant la fixation. Couple de serrage: 6Nm.**

## 8.2 Branchement de la tourelle à l'installation

### 8.2.1 Description de la carte de connexion

| DESCRIPTION DE LA CARTE |   |
|-------------------------|---|
| Composants              | Fonction  |
| J1                      | Ligne d'alimentation  |
| J2                      | Ethernet  |
| J3                      | E/S numériques  |
| DIP1                    | Sélection du mode Master, rétablissement des paramètres d'usine             |
| F1                      | Fusible de la ligne d'alimentation  |
| F2                      | Fusible de l'alimentation de l'électronique de la tourelle                  |
| F3                      | Fusible d'alimentation des projecteurs                                      |
| LD1, LD3                | État de la ligne Ethernet (branchement et activités)                        |
| LD2                     | État du firmware  |
| LD4, LD5                | État de la ligne de communication avec la caméra (branchement et activités) |
| LD6                     | État de l'alimentation  |

Tab. 4

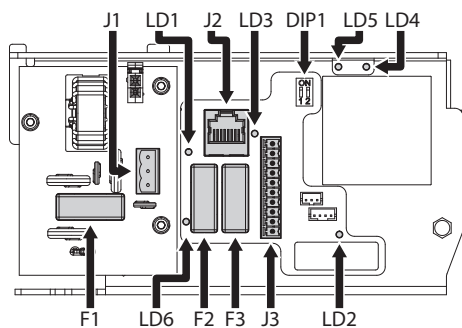


Fig. 35

### 8.2.2 Connexion de la ligne d'alimentation

Selon la version, différentes tensions d'alimentation peuvent être fournies au dispositif. La valeur de tension d'alimentation est reportée sur l'étiquette d'identification du produit (4.3 Marquage du produit, page 11).



**Il faut effectuer les connexions électriques en absence d'alimentation et lorsque le dispositif de sectionnement ouvert.**



**Contrôler que les sources d'alimentation et les câbles de branchement sont en mesure de supporter la consommation du système.**



**Vérifier que la source et le câble d'alimentation sont adéquatement dimensionnés.**



**Le câble de terre doit être plus long des deux autres d'environ 10mm pour éviter tout détachement accidentel.**

Couper les câbles à la longueur nécessaire et procéder aux connexions. Connecter la ligne d'alimentation avec la borne.

Le câble d'alimentation doit en outre être couvert de la gaine en silicone (01) fournie. La gaine en silicone doit être fixée au moyen du collier prévu (02).

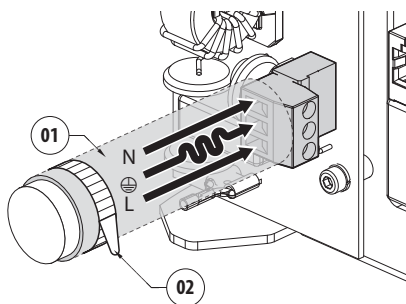


Fig. 36

Effectuer les connexions selon ce qui est décrit dans le tableau.

| CONNEXION DE LA LIGNE D'ALIMENTATION |            |
|--------------------------------------|------------|
| Couleur                              | Borne      |
| <b>Alimentation 230Vac</b>           |            |
| Bleue                                | N (Neutre) |
| Jaune/Vert                           | ⊕          |
| Marron                               | L (Phase)  |
| <b>Alimentation 120Vac</b>           |            |
| Bleue                                | N (Neutre) |
| Jaune/Vert                           | ⊕          |
| Marron                               | L (Phase)  |
| <b>Alimentation 24Vac</b>            |            |
| Défini par l'installateur            | N (Neutre) |
| Jaune/Vert                           | ⊕          |
| Défini par l'installateur            | L (Phase)  |

Tab. 5

Le connecteur amovible est fourni.

## 8.2.3 Connexion des câbles de signalisation

**⚠ Tous les câbles de signalisation doivent également être regroupés avec un collier.**

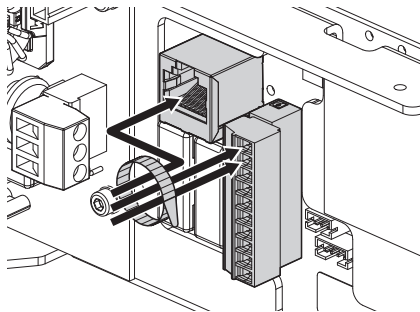


Fig. 37

### 8.2.3.1 Branchement du câble de réseau Ethernet

Nous recommandons l'utilisation de câbles Ethernet ayant les caractéristiques suivantes: STP (blindé), Catégorie 5E (ou supérieur).

Brancher le câble Ethernet au connecteur correspondant (J2, 8.2.1 Description de la carte de connexion, page 23).

### 8.2.3.2 Branchement des entrées d'alarme, de l'interrupteur crépusculaire et des relais

La longueur maximale du câble de chaque alarme est de 200 m. Utilisez les câbles blindés.

Branchez le câble des entrées/sorties numériques au connecteur correspondant (J3, 8.2.1 Description de la carte de connexion, page 23).

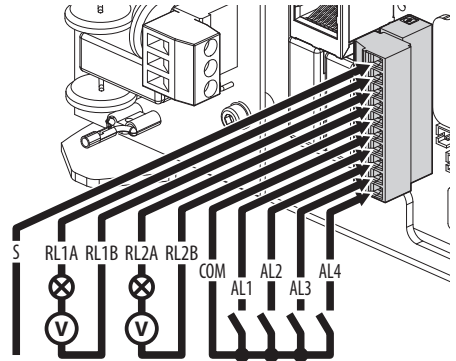


Fig. 38

#### BRANCHEMENT DES ENTRÉES D'ALARME, DE L'INTERRUPTEUR CRÉPUSCULAIRE ET DES RELAIS

| Bornes                   | Description   |
|--------------------------|---|
| S                        | Tresse du câble blindé  |
| RL1A, RL1B, RL2A, RL2B   | Contacts secs de sortie activantes par alarme ou commande utilisateur |
| AL1, AL2, AL3, AL4 e COM | Entrées d'alarme auto-alimentées relatives à la borne commune         |

Tab. 6

Le dispositif peut être équipé d'un interrupteur crépusculaire externe. Selon la lumière identifiée, l'interrupteur crépusculaire permet d'activer automatiquement le mode Nuit. Branchez l'interrupteur crépusculaire à l'entrée d'alarme indiquée: AL4. Pour la configuration du mode Nuit, reportez-vous au chapitre correspondant (10.3.17 Page Mode Nuit, page 44).

Le dispositif peut être équipé d'une installation de lavage comme accessoire (11.1 Système de lavage, page 50). Branchez le câble du signal d'activation de la pompe au relais indiquée: RL2A, RL2B.



## 8.3 Sélection du mode de fonctionnement de l'unité

La base contient un DIP switch qui permet de configurer le mode Master Selection et les standards d'usine (DIP1, 8.2.1 Description de la carte de connexion, page 23).

| SÉLECTION DU MODE DE FONCTIONNEMENT DE L'UNITÉ (DIP1) |      |      |               |
|---|------|------|---------------|
| Fonction  | SW 1 | SW 2 | Description   |
| Master Selection                                      | ON   | -    | PTZ Master    |
|   | OFF  | -    | Camera Master |
| Factory Default                                       | -    | ON   | Activé        |
|   | -    | OFF  | Désactivé     |

Tab. 7

Pour la configuration de la fonction Master Selection, veuillez vous reporter au chapitre correspondant ( 8.3.1 Description du mode Master Selection, page 25).

Pour la configuration de la fonction Factory Default, veuillez vous reporter au chapitre correspondant (8.3.2 Description de la procédure des standards d'usine, page 26).

### 8.3.1 Description du mode Master Selection

Le système peut être interfacé avec un VMS (Video Management System) de 2 manières différentes:

**PTZ Master:** Le VMS interagit avec l'UC de la tourelle via le protocole ONVIF. Avec cette configuration, la caméra est contrôlée à partir de l'UC de la tourelle par le biais du protocole ONVIF.

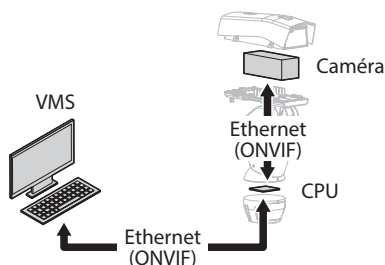


Fig. 39

**Camera Master:** Le VMS interagit toujours avec la caméra via le driver spécifique. Avec cette configuration, la caméra contrôle la tourelle par le biais de la ligne sérielle RS-485.

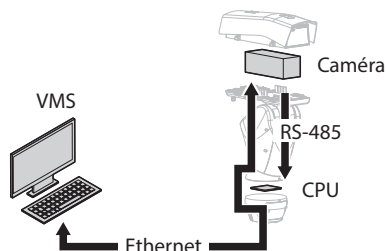


Fig. 40

La tourelle peut être configurée à l'aide de la page web. Les informations de connexion prédéfinies pour l'accès à l'appareil sont les suivantes :: Username: admin, Mot de passe: admin. Avec cette configuration, le protocole ONVIF du port Ethernet de la tourelle n'est pas activé.

#### Liste des commandes sérielles prises en charge:

- Manutention PTZ
- Sauvegarde, rappel et annulation du Preset
- AUX-3-ON/OFF: Essuie-glace ON/OFF
- AUX-4-ON: Système de lavage
- AUX-5-ON/OFF: Modalité Jour/Nuit
- AUX-6-ON/OFF: Relais 1 ON/OFF
- AUX-7-ON/OFF: Relais 2 ON/OFF
- RUN-PATTERN 0: Patrol
- RUN-PATTERN 1: Autopan

### 8.3.2 Description de la procédure des standards d'usine

Si le mot de passe d'accès n'est plus disponible, il est possible de rétablir les programmations d'usine à travers une procédure de réinitialisation.

- Éteindre l'unité.
- Ouvrez le module des connecteurs.
- Recherchez le DIP switch 1. Mettez le switch 2 sur ON.
- Fermer le module des connecteurs.
- Allumer l'unité.
- Attendez 60 secondes.
- Éteindre l'unité.
- Ouvrez le module des connecteurs.
- Mettez le switch 2 sur OFF.
- Fermer le module des connecteurs.
- Allumer l'unité.

Si la caméra installée est une caméra tierce, vous devrez suivre la procédure des standards d'usine spécifiée par le fabricant de la caméra.

### 8.4 Fermeture du module des connecteurs

Repositionnez le module des connecteurs en veillant à ne pas pincer les câbles lors de la fermeture.

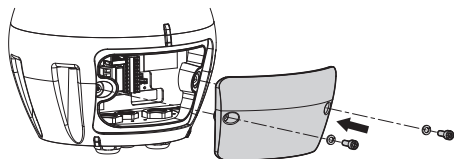


Fig. 41



**Faire attention pendant la fixation. Couple de serrage: 6Nm.**

### 8.5 Installation de la carte mémoire

Vous pouvez doter l'appareil d'une carte mémoire de type Micro SD. Il est possible de réaliser sur la carte mémoire une sauvegarde de toutes les configurations et du journal système, afin de faciliter la maintenance ou le remplacement en cas de dysfonctionnement. Pour d'autres renseignements se référer à le chapitre relatif (10.3.22 Page Instruments, page 49).

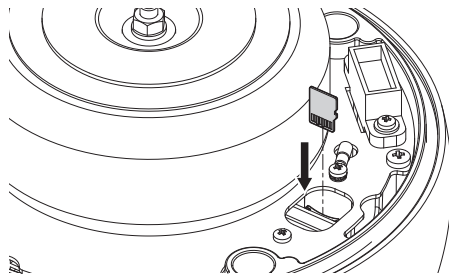


Fig. 42

Le système peut gérer une carte Micro SD jusqu'à 4 GB.

Cartes mémoire testées:

- Panasonic RP-SMKC04DE1 (4GB, -40/+85°C)
- Swissbit SFSD2048N1BW1MT-I-ME-111-STD (2GB, -40/+85°C)

## 8.6 Fixation du corps supérieur

Placez le corps de l'appareil sur la base en alignant les encoches de référence. Insérez les montants antibasculement du corps de l'appareil dans les trous de la base. Veillez à ne pas abîmer les composants intérieurs lors de l'installation.

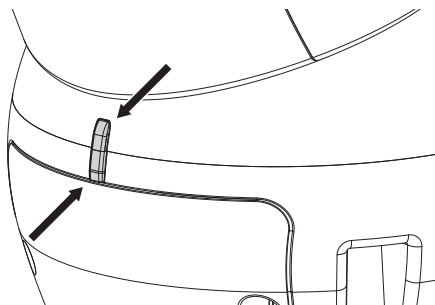


Fig. 43

Fixez le corps supérieur à la base avec les vis de fixation. Contrôlez la présence et le bon état de la garniture de la base.

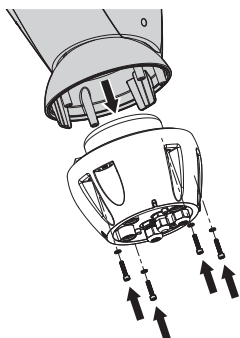


Fig. 44

**⚠** **Faire attention pendant la fixation. Couple de serrage: 6Nm.**

## 8.7 Montage des projecteurs à LED (en option)

**⚠** **Pour en correct fonctionnement les deux projecteurs doivent toujours être montés ensemble.**

**i** **Seuls des projecteurs VIDEOTEC peuvent être installés sur la tourelle.**

### 8.7.1 Montage de l'étrier

Positionner l'étrier (01) sur la partie inférieure du caisson comme illustré en figure. Introduire les vis et les rondelles (02) dans les trous (03) et les serrer.

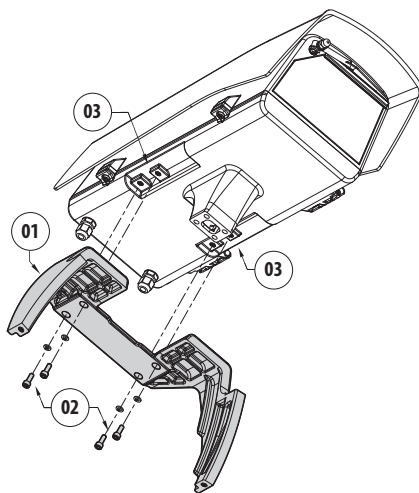


Fig. 45

**⚠** **Faire attention pendant la fixation. Couple de serrage: 6Nm.**

## 8.7.2 Montage du projecteur sur l'étrier

Positionner les fixations du projecteur (01) sur celles de l'étrier (02).

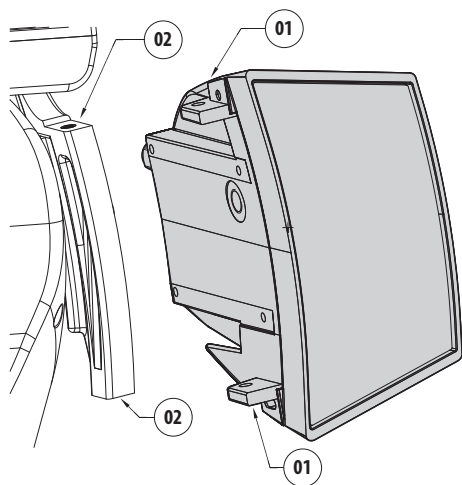


Fig. 46

Alignez les projecteurs sur la caméra de manière à disperser le moins de lumière possible.

Vissez les vis et les rondelles présentes, fournies avec le projecteur.

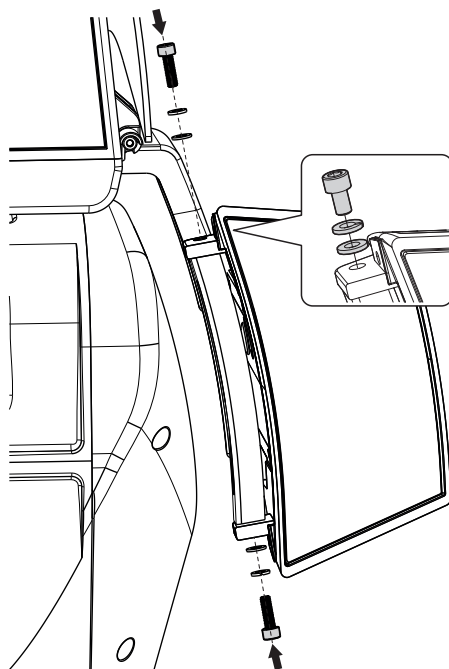


Fig. 47



**Faire attention pendant la fixation. Couple de serrage: 6Nm.**

## 8.8 Branchement des projecteur à LED

Ouvrir le caisson selon la description dans le chapitre correspondant (7.3.1 Ouverture du caisson, page 14). Introduire les câbles d'alimentation de 10 cm au moins à travers les presse-étoupes. Serrer les presse-étoupes.

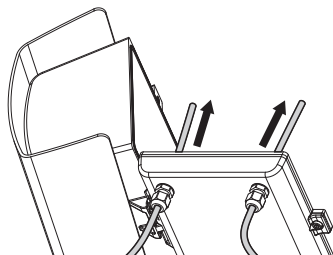


Fig. 48

**⚠ Pour garantir la sécurité et le fonctionnement de l'unité, ne pas laisser du câble excédentaire à l'extérieur.**

**⚠ Faire attention pendant la fixation. Couple de serrage: 2Nm.**

La carte du caisson comporte 2 connecteurs qui permettent de contrôler les projecteurs (J11, J15, 7.4.1 Description de la carte du caisson, page 17). Raccorder les câbles comme décrit dans le tableau.

| BRANCHEMENT DES PROJECTEUR À LED |                  |                        |                  |
|----------------------------------|------------------|------------------------|------------------|
| Projecteur Master (J15)          |                  | Projecteur Slave (J11) |                  |
| Référence sur la carte           | Couleur du câble | Référence sur la carte | Couleur du câble |
| PW2                              | Blanc            | PW2                    | Blanc            |
| PW1                              | Noir             | PW1                    | Noir             |
| A                                | Vert             | A                      | Vert             |
| B                                | Rouge            | B                      | Rouge            |

Tab. 8

Fermez le caisson selon la description dans le chapitre correspondant (7.4.8 Fermeture du caisson, page 21).

## 8.9 Réglage et modalité d'activation des projecteurs à LED

Une fois le réglage effectué, le projecteur Master synchronise et contrôle le projecteur Slave.

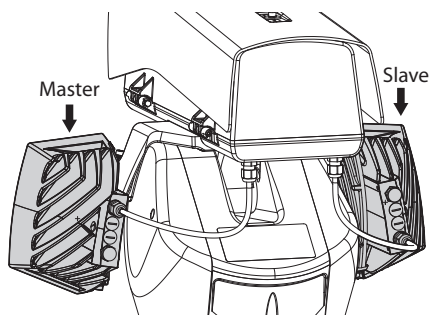


Fig. 49

L'interrupteur crépusculaire détecte la lumière ambiante et gère l'allumage et l'extinction des projecteurs lorsque la luminosité atteint le niveau réglé par l'utilisateur.

Lorsque les projecteurs à LED sont actifs, la caméra passe en mode nuit par la commande ONVIF prévue à cet effet.

Si la caméra ne gère pas la commande ONVIF pour le passage au mode Nuit, la synchronisation peut cependant être effectuée par le relais prévu à cet effet (DN1, DN2, 7.4.3 Branchement de la caméra réseau, page 18).

## 8.9.1 Réglage du seuil d'allumage des projecteurs à LED

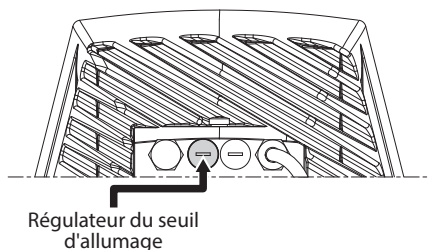


Fig. 50

Le projecteur a un capteur crépusculaire intégré qui permet un allumage et un arrêt automatique à conditions lumineuses préétablies.

Le réglage du capteur crépusculaire est effectué en usine à un niveau lumineux fixé et approprié à la plupart des installations (environ 50lx). Si l'on souhaite régler différemment le seuil d'intervention, dévisser le bouchon situé à l'arrière du projecteur et effectuer le réglage avec un tournevis.

En tournant le bouton de réglage dans le sens des aiguilles d'une montre, la commutation en mode nocturne est avancée (à une valeur de luminosité supérieure.) En tournant le bouton de réglage dans le sens inverse des aiguilles d'une montre, la commutation en mode nocturne est retardée (à une valeur de luminosité inférieure.)

Attendre les conditions de luminosité appropriées pour allumer le projecteur. Tourner lentement le trimmer jusqu'à ce que la LED présente sur le côté s'allume. Une fois que le seuil d'intervention (LED allumée) est dépassé, tourner légèrement dans le sens contraire.

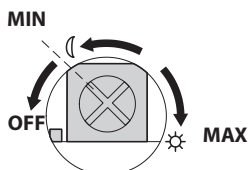


Fig. 51

**⚠ Au terme des réglages, vérifier que le bouchon de fermeture soit bien serré pour garantir l'étanchéité hermétique du produit.**

## 8.9.2 Réglage de la puissance des projecteurs à LED

Le projecteur est réglé en usine afin de distribuer la puissance maximale. S'il ne fallait pas éclairer des sujets éloignés ou si l'image était surexposée à cause de la luminosité excessive, effectuer le réglage de la puissance pour l'abaisser et pour obtenir une économie énergétique.

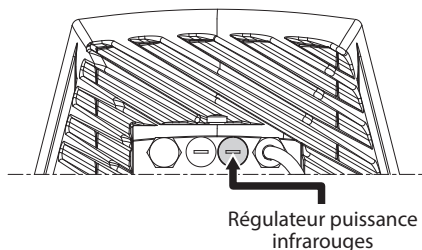


Fig. 52

Dévisser tout d'abord le bouchon de fermeture hermétique. Tourner le trimmer, dans le sens horaire pour augmenter la puissance des infrarouges et dans le sens antihoraire pour l'abaisser.



Fig. 53

**⚠ Au terme des réglages, vérifier que le bouchon de fermeture soit bien serré pour garantir l'étanchéité hermétique du produit.**

### 8.9.3 Activation des projecteurs à LED à l'aide d'un interrupteur crépusculaire externe

Les projecteurs à LED sont activés par un détecteur crépusculaire externe relié à une entrée d'alarme.

Effectuer les opérations suivantes:

- Branchez l'interrupteur crépusculaire au connecteur des câbles de signal (AL4, COM, 8.2.3.2 Branchement des entrées d'alarme, de l'interrupteur crépusculaire et des relais, page 24).
- Réglez le projecteur Master:
  - **Seuil d'allumage:** Configurer la valeur sur OFF.
  - **Puissance distribuée:** Configurer la valeur selon la nécessité.
- Réglez le projecteur Slave:
  - **Seuil d'allumage:** Configurer la valeur sur OFF.
  - **Puissance distribuée:** Configurer la valeur selon la nécessité.
- Définissez le détecteur de luminosité sur: EXTERNE (10.3.17 Page Mode Nuit, page 44).

### 8.9.4 Activation des projecteurs à LED à l'aide du détecteur crépusculaire intégré

Les projecteurs à LED sont équipés d'un détecteur crépusculaire interne.

Ce mode d'activation ne vous permet pas de forcer le mode Nuit ni de contrôler le projecteur Slave.

Effectuer les opérations suivantes:

- Réglez le projecteur Master:
  - **Seuil d'allumage:** Configurer la valeur selon la nécessité.
  - **Puissance distribuée:** Configurer la valeur selon la nécessité (de 50% à 100%).
- Réglez le projecteur Slave:
  - **Seuil d'allumage:** Configurer la valeur au maximum.
  - **Puissance distribuée:** Configurer la valeur au minimum.
- Définissez le détecteur de luminosité sur: PROJECTEURS (10.3.17 Page Mode Nuit, page 44).

### 8.9.5 Activation des projecteurs à LED à l'aide de la caméra

Les projecteurs à LED sont activés selon la détection de la luminosité de la scène cadrée par la caméra. Ce mode de fonctionnement est uniquement possible si l'appareil est équipé d'une caméra intégrée (11.6 Module caméra visible, page 51).

Effectuer les opérations suivantes:

- Réglez le projecteur Master:
  - **Seuil d'allumage:** Configurer la valeur sur OFF.
  - **Puissance distribuée:** Configurer la valeur selon la nécessité.
- Réglez le projecteur Slave:
  - **Seuil d'allumage:** Configurer la valeur sur OFF.
  - **Puissance distribuée:** Configurer la valeur selon la nécessité.
- Définissez le détecteur de luminosité sur: CAMERA (10.3.17 Page Mode Nuit, page 44).

### 8.9.6 Activation manuelle des projecteurs à LED

Les projecteurs à LED sont activés par page Web ou commande ONVIF.

Effectuer les opérations suivantes:

- Réglez le projecteur Master:
  - **Seuil d'allumage:** Configurer la valeur sur OFF.
  - **Puissance distribuée:** Configurer la valeur selon la nécessité.
- Réglez le projecteur Slave:
  - **Seuil d'allumage:** Configurer la valeur sur OFF.
  - **Puissance distribuée:** Configurer la valeur selon la nécessité.
- Définissez le détecteur de luminosité sur: AUCUN ( 10.3.17 Page Mode Nuit, page 44).

## 9 Allumage



S'assurer que l'unité et les autres composants de l'installation soient fermés de façon à empêcher le contact avec les composants sous tension.



Durant le fonctionnement normal, la surface du projecteur peut atteindre des températures élevées. Éviter le contact direct et positionner l'appareil dans un endroit non accessible au personnel non autorisé. Avant de la toucher, éteindre le dispositif d'illumination et le laisser refroidir durant 10 minutes minimum.



Ne pas rester en proximité de l'appareil lorsqu'il est sous tension. N'intervenir sur le dispositif que hors tension.



Ne pas stationner à proximité du dispositif sous tension. N'intervenir sur le dispositif qu'avec l'alimentation coupée.



La procédure de préchauffage automatique (De-Ice) peut être activée chaque fois que le dispositif est mis en fonction à une température ambiante inférieure à 0°C. La procédure permet de garantir un fonctionnement correct du dispositif également à basse température. La durée varie en fonction des conditions climatiques (de 60 minutes jusqu'à 120 minutes).

Il suffit de brancher l'alimentation électrique pour allumer l'unité.

Débrancher l'alimentation électrique pour éteindre l'unité.

## 10 Configuration

### 10.1 Adresse IP par défaut



L'appareil est configuré pour obtenir l'adresse IP depuis un serveur DHCP.

L'adresse IP acquise via DHCP est visible dans le fichier journal du serveur DHCP.

En cas d'indisponibilité du serveur DHCP, l'appareil se configure automatiquement avec une adresse IP autogénérée dans le sous-réseau 169.254.0.0/16. Configurez l'adresse IP du PC comme appartenant au même sous-réseau (exemple: adresse IP: 169.254.1.1, subnet mask: 255.255.0.0). En cas d'échec de l'attribution automatique, le système définit automatiquement l'adresse http://192.168.0.100.

Pour rechercher l'adresse IP du dispositif, utilisez un VMS compatible INVIF, l'application ONVIF Device Manager ou un renifleur de réseau (IP scan utility).

### 10.2 Identification de l'adresse MAC

L'adresse MAC de l'appareil est indiquée sur l'étiquette située dans le module des connecteurs de la base, comme illustré dans la figure.

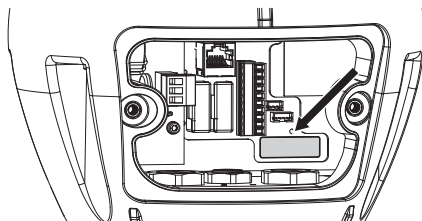


Fig. 54



## 10.3 Interface web


 **Logiciels de navigation supportés: Microsoft Internet Explorer, Google Chrome, Mozilla Firefox.**

### 10.3.1 Premier accès aux pages web

La première opération pour configurer le dispositif consiste en la connexion à son interface web.

Pour accéder à l'interface Web du produit, il suffit de se connecter avec un navigateur à l'adresse : `http://indirizzo_ip`.

Pour un fonctionnement correct, la tourelle doit être configurée en fonction de la caméra et des accessoires installés.

 **Le produit, avec adresse IP générée automatiquement, n'est pas en mesure de transmettre le streaming vidéo. Vérifiez que le serveur DHCP est accessible ou définissez éventuellement une adresse IP n'appartenant pas à la classe « Link Local, 169.254.x.x/16 » (10.3.6 Page Réseau, page 39).**

Au premier accès, la page de configuration du matériel décrit ci-dessous s'affichera.

### 10.3.2 Page Configuration du Matériel

Dans la rubrique du menu Configuration du Matériel, vous pouvez configurer le matériel de l'appareil.

La visualisation de certains champs de produit de manière dynamique selon la configuration du système.

- **Type de Caméra:** Le mode de communication de la caméra (seulement pour le mode PTZ Master).
- **Type:** Mode de communication vers la caméra.
  - **NONE:** Le système alimente la caméra après le dégivrage (il ne vérifie pas si la caméra répond au ping).
  - **ONVIF CAMERA:** Le système se configure pour pouvoir communiquer avec la caméra ONVIF profil S. Les informations de connexion pour l'accès à la tourelle seront identiques au nom d'utilisateur et au mot de passe spécifiés pour communiquer avec la caméra. Insérez le nom d'utilisateur et le mot de passe pour communiquer avec la caméra tierce. (6.5.3 Préconfiguration de la caméra tierce, page 13). Le système alimente la caméra après le dégivrage et vérifie si cela répond au ping et au protocole ONVIF.
  - **CAMHD30X:** Le système se configure pour pouvoir communiquer avec la caméra intégrée (11.6 Module caméra visible, page 51). Les informations de connexion prédéfinies pour l'accès à l'appareil sont les suivantes :: Username: admin, Mot de passe: admin.

- **Port Série:** Type de communication pour contrôler le dispositif.
- **Protocole:** Protocole de communication.
- **Envoi d'ACK:** Permet d'envoyer l'ACK pour chaque commande reçue.
- **Baudrate:** Définit la vitesse de communication.
- **Type Série:** Type de ligne série par laquelle le produit reçoit les commandes.
- **Bits de données :** Nombre de bits de chaque paquet de données.
- **Contrôle de la Parité:** Mode de contrôle de la cohérence des données.
- **Bits d'Arrêt:** Nombre de bits d'arrêt de chaque paquet de données.
- **Caractéristiques de l'Optique:** Caractéristiques de l'optique installée.
  - **Objectif:** Type de l'optique installée.
    - **NONE:** Aucune optique installée.
    - **FIXE:** Optique avec zoom et mise au point fixes.
    - **INTÉGRÉE:** Optique contrôlée de la caméra.
    - **MOTORISÉE INDÉPENDANTE:** Optique avec moteur à inversion de polarité.
    - **MOTORISÉE À FIL COMMUN:** Optique avec moteur à fil commun.
    - **MOTORISÉES 485:** Optique contrôlée par port série RS 485.
  - **Modèle:** Sélectionne le modèle d'optique 485.
  - **Protocole:** Sélectionne le protocole à utiliser pour communiquer avec l'optique.
- **Baudrate:** Sélectionne le débit en bauds à utiliser pour communiquer avec l'optique.
- **Type Série:** Sélectionne le mode de communication avec l'optique.
- **Envoi d'ACK:** Active l'attente de l'ACK pour chaque message envoyé à l'optique.
- **Préset:** Définit le nombre maximum de Presets que l'optique est en mesure de gérer.
- **Facteur de Zoom:** Nombre d'agrandissements pouvant être atteint par l'optique.
- **Polarité de Rotation du Zoom:** Inversion de la rotation de l'optique lors du zoom.
- **Polarité de Rotation de la Mise au Point:** Inversion de la rotation de l'optique lors de la mise au point.
- **Optique avec Potentiomètres:** Présence de potentiomètres pour la détection de la position de zoom et de mise au point.
- **Déclencheur d'One-push Autofocus:** Définit le type d'événement qui active l'exécution de l'autofocus.
  - **MANUEL:** L'activation se produit seulement depuis la page Web ou la commande ONVIF.
  - **MOUVEMENT PTZ+MANUEL:** L'activation se produit à la fin de chaque mouvement de PAN-TILT (rotation-inclinaison) ou ZOOM, ou depuis la page Web ou la commande ONVIF.
  - **DÉSACTIVÉ:** Fonction désactivée.
- **Durée d'One-push Autofocus:** Définit la durée pendant laquelle l'autofocus reste actif.
- **Polarité d'One-push Autofocus:** Sélectionne l'état par défaut du relais de l'autofocus.

- **Accessoires:** Présence ou non d'accessoires installés sur l'appareil.
- **Essuie-glace :** Active le fonctionnement de l'essuie-glace.
- **Projecteurs:** Active le fonctionnement des projecteurs. (11.3 Projecteurs à LED, page 50).
- **Verre Réchauffé:** Active le fonctionnement du verre réchauffé. (11.7 Vitre chauffée antigel, page 51).
- **Installation de Lavage:** Active le fonctionnement de l'installation de lavage. (11.1 Système de lavage, page 50).

| Type de Caméra                |              |
|-------------------------------|--------------|
| Type                          | ONVIF CAMERA |
| Nom Utilisateur               | admin        |
| Mot de Passe                  | ****         |
| Réinitialiser le Mot de Passe | ****         |

| Caractéristiques de l'Optique   |                        |
|---------------------------------|------------------------|
| Objectif                        | MOTORISÉE 485          |
| Module                          | GENERIC                |
| Protocole                       | PELCO D                |
| Baudrate                        | 9600                   |
| Type Série                      | RS485 BIDIRECTIONNEL   |
| Envoi d'ACK                     | DÉSACTIVÉ              |
| Préselection                    | 250                    |
| Facteur de Zoom                 | 1                      |
| Déclencher One-push Autofocus   | MOUVEMENT PTZ + MANUEL |
| Durée d'One-push Autofocus (ms) | 500                    |
| Polarité One-push Autofocus     | NORMALEMENT OUVERT     |

| Accessoires            |             |
|------------------------|-------------|
| Essuie-glace           | PRÉSENT     |
| Projecteurs            | PRÉSENT     |
| Verre Réchauffé        | PAS PRÉSENT |
| Installation de Lavage | PRÉSENT     |

ENTRER  
ANNULER

Fig. 55 PTZ Master.

| Port Série            |           |
|-----------------------|-----------|
| Protocole             | PELCO D   |
| Envoi d'ACK           | DÉSACTIVÉ |
| Baudrate              | 2400      |
| Type Série            | RS485     |
| Bits de Données       | 8         |
| Contrôle de la Parité | NONE      |
| Bits d'Arrêt          | 1         |

| Caractéristiques de l'Optique   |                        |
|---------------------------------|------------------------|
| Objectif                        | MOTORISÉE 485          |
| Module                          | GENERIC                |
| Protocole                       | PELCO D                |
| Baudrate                        | 2400                   |
| Type Série                      | RS485 BIDIRECTIONNEL   |
| Envoi d'ACK                     | DÉSACTIVÉ              |
| Préselection                    | 1                      |
| Facteur de Zoom                 | 10                     |
| Déclencher One-push Autofocus   | MOUVEMENT PTZ + MANUEL |
| Durée d'One-push Autofocus (ms) | 500                    |
| Polarité One-push Autofocus     | NORMALEMENT OUVERT     |

| Accessoires            |             |
|------------------------|-------------|
| Essuie-glace           | PRÉSENT     |
| Projecteurs            | PRÉSENT     |
| Verre Réchauffé        | PAS PRÉSENT |
| Installation de Lavage | PRÉSENT     |

ENTRER  
ANNULER

Fig. 56 Camera Master.

### 10.3.3 Page Home

Si le login est effectué avec succès, on pourra voir l'interface de gestion de le produit.

La page Accueil permet de voir l'état du système, d'afficher l'instantané de la caméra, de déplacer l'appareil, de contrôler les optiques et les accessoires, d'activer le relais et de surveiller l'état es entrées d'alarme.

#### 10.3.3.1 Instantané de la vidéo

Cet espace montre un avant-goût de la reprise en cours de l'appareil. La résolution de l'instantané et sa fréquence d'images sont fixes et diffèrent des caractéristiques réelles du flux vidéo. Pour visualiser la qualité du streaming de la vidéo, vous devez utiliser un VMS ou ONVIF DEVICE MANAGER.

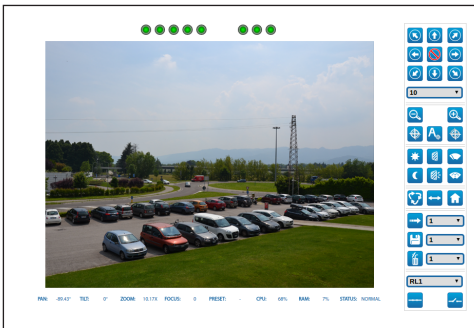


Fig. 57

#### 10.3.3.2 État du système

Lors du démarrage, dans l'espace de l'instantané, il est possible de visualiser l'état du système.

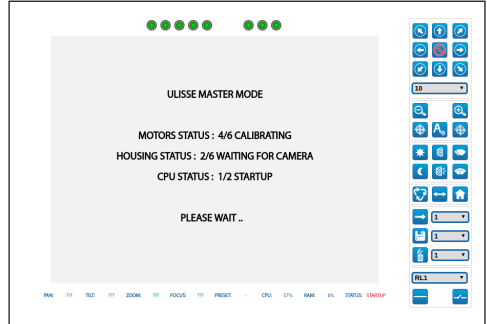


Fig. 58

En mode de fonctionnement normal, la rubrique du menu Journal système est mise en surbrillance en jaune et dispose en regard d'un signal d'attention en cas d'activation de l'alarme.

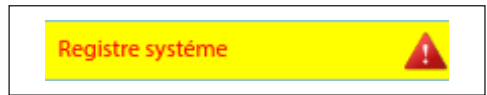


Fig. 59

### 10.3.3.3 Mouvement horizontal et vertical

Le clavier virtuel permet de déplacer l'appareil. Pour définir la vitesse, utilisez le menu déroulant présent sous le clavier virtuel.

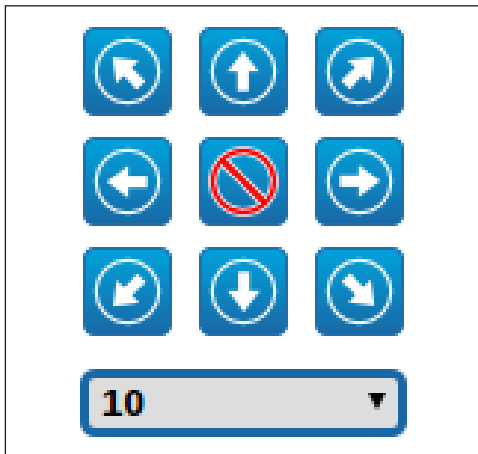


Fig. 60

L'appareil peut également se déplacer en cliquant sur l'instantané dans la direction souhaitée.

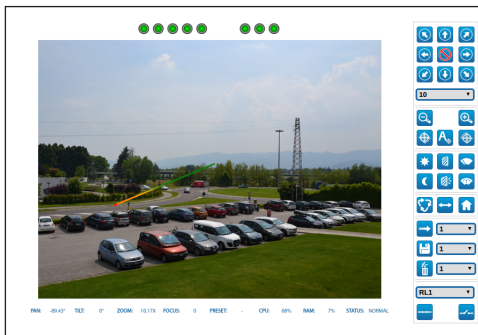


Fig. 61

### 10.3.3.4 Contrôle des optiques

- **Zoom Wide/Zoom Tele**



Fig. 62

- **Focus Proche/Focus Loin/Autofocus:** L'Autofocus est disponible seulement avec le module caméra visible ou les optiques motorisées dotées de l'autofocus.



Fig. 63

### 10.3.3.5 Contrôle de l'essuie-glace et de l'installation de lavage

- **Essuie-glace/Installation de Lavage:** Pour utiliser l'installation de lavage, il faut l'activer.



Fig. 64

### 10.3.3.6 Contrôle du mode Jour/Nuit

- **Modalité Jour/Modalité Nuit:** Le Modalité Jour désactive les projecteurs et envoie à la caméra la commande d'insertion du filtre IR. Le Modalité Nuit active les projecteurs et envoie à la caméra la commande de retrait du filtre IR.



Fig. 65

### 10.3.3.7 Contrôle du projecteur Slave

- **Off/On:** Le projecteur Slave peut être allumé ou éteint manuellement.



Fig. 66

### 10.3.3.8 Gestion du preset

- **Recall Présélection/Sauvegarder Présélection/Éliminer la Présélection**

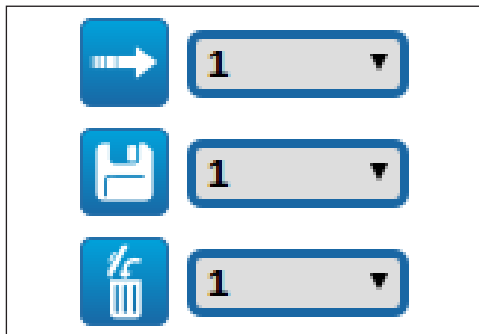


Fig. 67

- **Activer Patrol:** La fonction de mouvement exige l'enregistrement d'au moins 2 presets. La vitesse de mouvement et les temps d'attente peuvent être configuré dans le chapitre correspondant(10.3.13 Page Preset (Avancé), page 42).



Fig. 68

- **Activer Autopan:** Rappelle en continu 2 positions configurées. Pour d'autres renseignements se référer à le chapitre relatif(10.3.9 Page Autopan, page 41).



Fig. 69

- **Retour à l'Accueil:** Rappelle la position du preset n°1.



Fig. 70

### 10.3.3.9 Contrôle du relais et de l'état des alarmes

- **Activer le Relais/Désactiver le Relais:** Une fois que vous avez sélectionné le relais dans le menu déroulant, vous pouvez en définir l'état du contact.

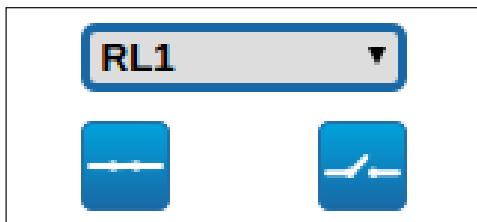


Fig. 71

- **AL1/AL2/AL3/AL4/ALHOUSING/RL1/RL2/DNHO USING:** Visualisez l'état des alarmes et des relais. La couleur rouge indique que l'alarme ou le relais est activé. La couleur verte indique que l'alarme ou le relais est désactivé.

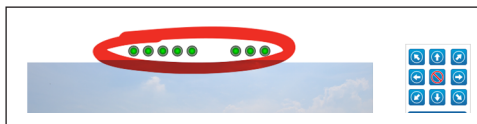


Fig. 72

### 10.3.3.10 Contrôle de l'appareil via le clavier

L'appareil peut être contrôlé via le clavier du PC, à l'aide des touches décrites dans la figure.

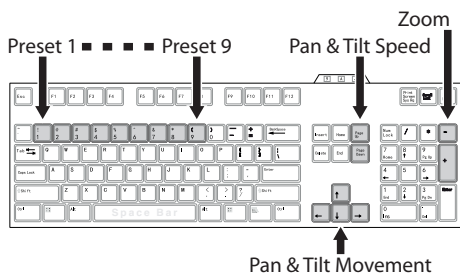


Fig. 73

### 10.3.4 Page Paramètres Dispositif

A la mention du menu Paramètres Dispositif il est possible de configurer le nom de le dispositif et d'afficher d'autres informations supplémentaire.

|                                      |                   |
|--------------------------------------|-------------------|
| Nom du Dispositif                    | lutose2           |
| Code Produit                         |                   |
| Numéro de Série                      |                   |
| Numéro de Série d'Add-on             | 119065310001      |
| Adresse MAC                          | 00:21:A6:00:11:4C |
| Micrologiciel Version: CPU Board     | 1.1.0             |
| Micrologiciel Version: Motor Board   | 1.0.3             |
| Micrologiciel Version: Housing Board | 1.0.4             |
| Révision du Hardware                 | 1                 |
| Révision Majeure                     | 1                 |
| Révision Mineure                     | 1                 |

ENTRER  
ANNULER

Fig. 74

### 10.3.5 Page Statistiques Dispositif

A la mention du menu Statistiques Dispositif on trouve, uniquement pour consultation, toutes les statistiques recueillies pendant le fonctionnement de le dispositif.

|  |        |
|--|--------|
| Degrés Par (°)                               | 201.36 |
| Degrés Tr (°)                                | 2756   |
| Allumage                                     | 28     |
| Heures de Travail (h)                        | 30     |
| Température Maximum de la Fiche Coffret (°C) | 43     |
| Température Minimum de la Fiche Coffret (°C) | 29     |
| Température Maximum de la Fiche Moteurs (°C) | 51     |
| Température Minimum de la Fiche Moteurs (°C) | 32     |
| Température Maximum de la Fiche CPU (°C)     | 42     |
| Température Minimum de la Fiche CPU (°C)     | 27     |
| Période d'Allumage des Phares R (h)          | 0      |

Fig. 75

### 10.3.6 Page Réseau

**i** Pour un fonctionnement correct du dispositif, il faut le synchroniser au logiciel VMS en utilisant un serveur NTP.

A la mention du menu Réseau il est possible de changer la configuration de réseau de la tourelle. Il est possible de décider si le dispositif doit avoir une adresse attribuée de manière statique, dynamique avec DHCP, ou auto-générée. Le dispositif supporte le protocole Internet Protocol (IP) dans la version 4.

Toujours sur la même page, il est possible de configurer 2 DNS et de décider quels mécanismes doivent être actifs pour identifier automatiquement les dispositifs dans le réseau local.

**Serveur NTP:** Il est également possible de mentionner si le dispositif doit se synchroniser avec un serveur NTP (Network Time Protocol) externe.

- **DÉSACTIVÉ:** Sélectionner cette option si on ne souhaite pas synchroniser date et heure du dispositif.
- **DHCP:** Sélectionner cette option au cas où on souhaite synchroniser date et heure du dispositif avec celles d'un serveur NTP (Network Time Protocol) indiqué par le serveur DHCP.
- **STATIQUE:** Sélectionner cette option au cas où on souhaite synchroniser date et heure du dispositif avec celles du serveur NTP indiqué par l'adresse statique.

**PC Sync:** Permet de synchroniser la date et l'heure du produit avec celles du PC que vous utilisez (vous devez exécuter à nouveau la commande après chaque cycle de désactivation-d'activation de l'unité).

|                                |                         |
|--------------------------------|-------------------------|
| Version IP                     | IPv4                    |
| Type d'Adresse                 | STATIQUE                |
| Adresse IP (IPv4)              | 192.168.0.106           |
| Masque de Sous-réseau (IPv4)   | 255.255.255.0           |
| Passerelle (IPv4)              | 192.168.0.106           |
| Recherche Automatique DNS      | DÉSACTIVÉ               |
| Serveur DNS Préféré            | 8.8.8.8                 |
| Serveur DNS Alternatif         | 8.8.4.4                 |
| Date & Heure                   | 2016-08-03 08:42:30 UTC |
| Server NTP                     | DÉSACTIVÉ               |
| PC Sync                        | DÉSACTIVÉ               |
| UPnP                           | ACTIF                   |
| Zenocoof                       | ACTIF                   |
| Découverte Multicast/multicast | ACTIF                   |
| Découverte WS                  | ACTIF                   |

ENTRER  
ANNULER

Fig. 76

### 10.3.7 Page Utilisateurs

A la mention du menu Configuration Utilisateurs il est possible d'administrer les utilisateurs qui peuvent accéder à le dispositif. Les utilisateurs de type Administrateur peuvent accéder à la configuration complète du dispositif. Les utilisateurs du type Operator, User et Anonymous ont un accès limité aux pages de gestion.

Les utilisateurs ayant un accès limité peuvent accéder uniquement aux pages:

- Home (déplacer la tourelle, contrôler les projecteurs, activer l'essuie-glace, activer l'installation de lavage, activer les relais et rappeler les presets)
- Paramètres Dispositif
- Statistiques Dispositif

| Nom Utilisateur | Permis        |
|-----------------|---------------|
| admin           | Administrator |

Fig. 77

Le mot de passe peut contenir uniquement les caractères suivants (a-z, A-Z, 0-9, ,\_+@%/(-)^\*[]{}#;~).

Certaines caméras peuvent ne pas prendre en charge le jeu de caractères susmentionné.

### 10.3.8 Page Mouvements

A la mention du menu Mouvements il est possible de contrôler par web tous les paramètres de la tourelle.

- **Offset Pan:** La tourelle a une position de 0° définie mécaniquement. La fonction Offset Pan permet de définir une position différente de 0° à l'aide du logiciel.
- **Mot Économique:** Il réduit le couple des moteurs lorsque la tourelle est à l'arrêt pour diminuer les consommations. Ne pas activer en présence de vent fort ou de vibrations.
- **Vitesse Maximale:** Configure la vitesse manuelle maximale.
- **Type de Rampe:** Permet de sélectionner les accélérations de la tourelle. (Durée d'accélération/ de décélération: 1=1.1s, 2=0.95s, 3=0.8s, 4=0.5s)
- **Vitesse avec Zoom:** L'activation de ce paramètre réduit automatiquement la vitesse de Pan et Tilt en fonction du facteur de Zoom.

- **Facteur Tilt:** Configure le facteur de réduction de la vitesse manuelle de l'axe tilt. Calcul de la vitesse de mouvement : vitesse de l'axe inclinaison (Tilt) = vitesse nominale d'inclinaison / facteur d'inclinaison.
- **Limites Pan:** Valide les limites de Pan.
- **Pan Début:** Configure la limite initiale de Pan.
- **Pan Fin:** Configure la limite finale de Pan.
- **Tilt Début:** Configure la limite initiale de Tilt.
- **Tilt Fin:** Configure la limite finale de Tilt.
- **Sensibilité:** Permet de sélectionner la sensibilité du système à la détection de mouvements indésirables de rotation et d'inclinaison. Si le seuil défini est dépassé, le système effectue le recalibrage de la rotation et de l'inclinaison.

Fig. 78



### 10.3.9 Page Autopan

A la mention du menu Autopan il est possible d'indiquer le preset de début et de fin de l'autopan.

Il est possible de configurer la vitesse à laquelle effectuer le trajet.

Fig. 79

### 10.3.10 Page Patrol

A la mention du menu Patrol il est possible d'indiquer le preset de début et de fin du patrol. Il est possible d'indiquer si l'analyse des preset doit avoir lieu de façon causale ou non.

Fig. 80

### 10.3.11 Page Rappel Mouvements

À l'entrée du menu Rappel Mouvements, vous pouvez spécifier les intervalles de temps après lesquels la tourelle exécutera des fonctions déterminées.

- **Type:** Ce paramètre sélectionne la fonction à exécuter une fois l'intervalle de temps d'inactivité terminé. Les fonctions pouvant être activées sont Accueil, Autopan et Patrol.
- **Dépassement du Délai:** Ce paramètre spécifie la durée de l'intervalle d'inactivité.
- **Recalibrage Cyclique:** Ce paramètre définit après combien d'heures le système doit effectuer une nouvelle procédure de calibrage des axes. Définissez la valeur 0 pour désactiver la fonction.

Fig. 81

### 10.3.12 Page Preset

À la mention du menu Preset on peut configurer certains paramètres concernant les preset:

- **Vitesse Scan:** La vitesse en degrés à la seconde, avec laquelle un preset est atteint, sur demande explicite de l'opérateur.
- **Vitesse Mouvements par Défaut:** La vitesse utilisée dans les opérations d'autopan et patrol.
- **Imposer Vitesse par Défaut:** La vitesse par défaut sera configurée aussi comme vitesse de scan pour tous les preset.
- **Pause par Défaut:** Le temps en secondes de permanence par défaut de chaque preset.
- **Imposer Pause par Défaut:** La pause par défaut sera configurée pour tous les preset.

|  |       |
|--|-------|
| Vitesse Scan (°/s) (0.02 - 50.00)                  | 50.00 |
| Vitesse Mouvements par Défaut (°/s) (0.02 - 50.00) | 50.00 |
| Imposer Vitesse par Défaut                         | NON   |
| Pause par Défaut (s) (0 - 3600)                    | 5     |
| Imposer Pause par Défaut                           | NON   |

Fig. 82

### 10.3.13 Page Preset (Avancé)

Dans la section Preset (Avancé) il est possible de personnaliser les valeurs de vitesse et pause pour chaque preset, en plus que d'activer/désactiver les preset mêmes.

Les valeurs de vitesse et de pause sont utilisées pour la gestion de Patrol.

|   |       |
|---|-------|
| Prédétection ID                         | 1     |
| Actif                                   | ON    |
| Pan                                     | 0.00° |
| Tilt                                    | 0.00° |
| Zoom                                    | 1X    |
| Focus                                   | 0     |
| Vitesse Mouvements (°/s) (0.02 - 50.00) | 50.00 |
| Pause (s) (0 - 3600)                    | 5     |

Fig. 83

### 10.3.14 Page Entrées Numériques

À l'entrée du menu Entrées Numériques, vous pouvez configurer les canaux numériques présents sur le dispositif. Il y a ci-dessous une courte description des paramètres configurables pour chaque entrée numérique.

- **ID Alarme:** Champ utilisé pour sélectionner l'entrée numérique souhaitée. L'entrée de l'alarme 5 se trouve dans le caisson. Pour le branchement, se référer au chapitre (AL, COM, 7.4.3 Branchement de la caméra réseau, page 18).
- **Description de l'Entrée:** Ajoutez une description de texte des fonctionnalités de l'entrée.
- **Type:** Indique l'état par défaut de l'entrée numérique.
- **Action:** À chaque entrée, une action peut être associée. L'action est activée dès que le contact passe dans un état différent de celui par défaut. Les actions disponibles sont énumérées ci-dessous :
  - **NONE:** Aucune action.
  - **SCAN:** Positionner la tourelle sur la préposition sélectionnée.
  - **PATROL:** Activer le PATROL.
  - **AUTOPAN:** Activer l'AUTOPAN.
  - **ESSUIE-GLACE:** Active l'essuie-glace.
  - **INSTALLATION DE LAVAGE:** Activer la séquence de lavage de la vitre.
  - **DNHOUSING:** Activer le relais présent dans le caisson. Pour le branchement, se référer au chapitre (DN1, DN2, 7.4.3 Branchement de la caméra réseau, page 18).
  - **RL1:** Activer le Relais 1.
  - **RL2:** Activer le Relais 2.
  - **IR FILT:** Désactiver le Filtre IR de la chambre. Si présents, allume les projecteurs à LED.

Pour un contrôle du fonctionnement correct des alarmes, dans la page web se trouve un petit rond. Le petit rond sera vert dans les conditions normales et rouge quand une alarme est détectée.

Fig. 84

### 10.3.15 Page Sorties Numériques

À l'entrée du menu Sorties Numériques, vous pouvez configurer les canaux numériques présents sur le dispositif. Il y a ci-dessous une courte description des paramètres configurables pour chaque sortie numérique.

- **ID de Relais:** Champ utilisé pour sélectionner la sortie numérique souhaitée.
- **Description de la Sortie:** Ajoutez une description de texte des fonctionnalités de la sortie.
- **État au Repos:** Indique l'état par défaut de la sortie numérique.
- **Mode:** Indique le mode d'activation de la sortie numérique.
  - **MONOSTABLE:** Ce mode active la sortie pour l'intervalle de temps défini.
  - **BISTABLE:** Ce mode active la sortie pour un intervalle de temps illimité.
- **Durée d'Activation:** Indique la durée en millisecondes de l'activation de la sortie numérique (valide uniquement lorsque le mode Monostable est sélectionné).

Fig. 85

La visualisation de certains champs de produit de manière dynamique selon la configuration du système.

### 10.3.16 Page Commandes Auxiliaires

Dans la rubrique du menu Commandes Auxiliaires, vous pouvez modifier l'ordre des commandes à exporter via le protocole ONVIF. Pour changer l'ordre, il suffit de faire glisser les commandes auxiliaires en cliquant sur l'icône correspondante au début de la ligne. La touche spécifique permet de tester les commandes.

- **Modifier l'Ordre/Exécuter la Commande**



Fig. 86

|                       |    |   |
|-----------------------|----|---|
| tt:WipeOn             | 1  | → |
| tt:WipeOff            | 2  | → |
| tt:WashingProcedureOn | 3  | → |
| tt:NightModeOn        | 4  | → |
| tt:Relay1On           | 5  | → |
| tt:Relay1Off          | 6  | → |
| tt:WashingProcedureOn | 7  | → |
| tt:DayModeOn          | 8  | → |
| tt:PhoneOn            | 9  | → |
| tt:AutopanOn          | 10 | → |
| tt:SlaveBINOn         | 11 | → |
| tt:SlaveBINOff        | 12 | → |

Fig. 87

Une fois la configuration terminée, vous devez à nouveau associer l'appareil au VMS, sinon les modifications ne seront pas appliquées.

### 10.3.17 Page Mode Nuit

Dans la rubrique du menu Mode Nuit, vous pouvez configurer l'activation des projecteurs.

La visualisation de certains champs de produit de manière dynamique selon la configuration du système.

- **Détecteur de Luminosité:** Définit la méthode de lecture de la lumière ambiante pour la commutation en Nuit.
  - **EXTERNE:** Lecture de la lumière ambiante via l'entrée d'alarme.
  - **PROJECTEURS:** Lecture de la lumière ambiante via la photocellule des projecteurs.
  - **CAMERA:** Lecture de la lumière ambiante via la caméra.
  - **AUCUN:** Manually activata via la page Web ou la commande auxiliaire ONVIF.
- **Synchronisation du Filtre IR de la Caméra:** Permet de retirer le filtre IR lorsque le système est en mode Nuit.
- **Activation du Projecteur Slave:** Définit le mode d'activation du projecteur Slave.
  - **MANUEL:** Mode de contrôle manuel du projecteur.
  - **IDENTIQUE AU PROJECTEUR MASTER:** Mode d'activation du projecteur Slave avec le projecteur Master.
  - **FACTEUR DE ZOOM:** Mode d'activation du projecteur Slave lorsque le projecteur Master est activé et que le facteur de zoom est supérieur à la valeur définie. La fonction est disponible uniquement avec des optiques motorisées, avec des potentiomètres ou avec un module caméra visible.
  - **POSITIONS DU PRESET:** Mode d'activation du projecteur Slave lorsque le projecteur Master est activé et que la tourelle est dans l'une des positions de preset définies.

- **Paramètres de la Caméra:** Définissent les niveaux et les retards pour le passage entre les modes Nuit et Jour.
  - **Seuil Jour-Nuit:** Définit le niveau de lumière sous lequel la tourelle active le mode Nuit.
  - **Seuil Nuit-Jour:** Définit le niveau de lumière sous lequel la tourelle active le mode Jour.
  - **Retard Jour-Nuit:** Définit le temps en secondes, pendant lequel la lumière doit rester sous le seuil Nuit.
  - **Retard Nuit-Jour:** Définit le temps en secondes, pendant lequel la lumière doit rester au-dessus du seuil Jour.
- **Seuil de Zoom du Projecteur Slave:** Indique le niveau de zoom au-delà duquel le projecteur Slave est activé lorsque le mode Nuit est activé.
- **Liste des Presets du Projecteur Slave:** Spécifie pour quels presets le projecteur Slave est activé lorsque le mode Nuit est activé.

The screenshot shows a web interface for configuring the 'Mode Nuit' (Night Mode) settings. It is divided into three main sections:

- Top Section:** Contains three dropdown menus: 'Détecteur de Luminosité' (set to CAMERA), 'Synchronisation du Filtre IR de la Caméra' (set to ACTIF), and 'Activation du Projecteur Slave' (set to POSITIONS DU PRESET).
- Paramètres de la caméra:** A section with four input fields:
  - Seuil Jour-Nuit (0 - 10): 10
  - Seuil Nuit-Jour (15 - 31): 15
  - Retard Jour-Nuit (0) (0 - 240): 5
  - Retard Nuit-Jour (0) (15 - 240): 15
- Parameter Projecteur Slave:** A section with a label 'Liste des Presets du Projecteur Slave' and a row of five dropdown menus, each with a number 1 through 5. Below this row are two buttons: 'ENTRER' and 'ANNULER'.

Fig. 88

### 10.3.18 Page Installation de Lavage

La page de configuration est disponible uniquement si l'accessoire relatif est présent (11.1 Système de lavage, page 50).

Dans le menu Installation de Lavage, on peut configurer les fonctionnalités du système de lavage du dispositif.

Le clavier virtuel permet de déplacer l'appareil. Pour définir la vitesse, utilisez le menu déroulant présent sous le clavier virtuel.

Les touches Zoom Wide et Zoom Tele permettent de contrôler l'angle de vision.

- **Aller à la Position du Gicleur/Enregistrer la Position du Gicleur:** L'appareil positionne la fenêtre du caisson au niveau de la position du gicleur enregistrée. Vous pouvez, au besoin, enregistrer une nouvelle position du gicleur.



Fig. 89

- **Activation de l'Installation de Lavage:** Réalisez les test de la procédure de lavage.



Fig. 90

- **État de la Pompe:** Visualisez l'état du relais qui contrôle la pompe. La couleur rouge indique que la pompe fonctionne. La couleur verte indique que la pompe est arrêtée.



Fig. 91

- **Retard Activation Essuie-glace:** Intervalle de temps qui se passe entre le début de la distribution de l'eau et l'activation de l'essuie-glace.
- **Durée de Lavage:** Durée de la distribution d'eau de la part de la pompe.
- **Retard Désactivation Essuie-glace:** Durée du balayage après la fin de la distribution d'eau.

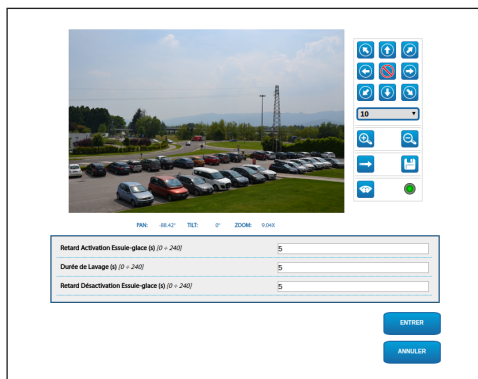


Fig. 92

## 10.3.19 Page Configuration Caméra

### 10.3.19.1 Caméra tierce



**Le produit, avec adresse IP générée automatiquement, n'est pas en mesure de transmettre le streaming vidéo. Vérifiez que le serveur DHCP est accessible ou définissez éventuellement une adresse IP n'appartenant pas à la classe « Link Local, 169.254.x.x/16 » (10.3.6 Page Réseau, page 39).**

L'entrée du menu Configuration Caméra vous permet d'accéder à la page Web de la caméra installée. La configuration des paramètres du streaming vidéo doit être effectuée via le protocole ONVIF à l'aide d'un VMS compatible ou de l'application Onvif Device Manager (choix conseillé). Si le streaming vidéo doit être modifié directement depuis la page Web de la caméra, la tourelle devra être redémarrée à la fin de la configuration.

### 10.3.19.2 Module caméra visible

La visualisation de certains champs de produit de manière dynamique selon la configuration du système.

À l'entrée du menu Configuration Caméra, vous pouvez configurer la caméra intégrée dans le dispositif :

- **Zoom:** Paramètres de configuration
  - **Zoom Numérique:** Cela permet d'activer ou de désactiver le zoom numérique (en plus de celui optique).
  - **Vitesse Zoom:** Permettent de définir la vitesse lors du contrôle manuel.
- **Focus:** Paramètres de configuration
  - **Mode Autofocus:** Permet de définir l'autofocus en continu (CAMERA TRIGGER) ou à la fin de chaque mouvement (PTZ TRIGGER).
  - **Sensibilité Autofocus :** NORMAL : Mise au point rapide pour des mouvements fréquents. LOW : Améliore la stabilité de la mise au point surtout pour des scènes peu lumineuses et bruyantes.
  - **Vitesse Focus:** Permettent de définir la vitesse lors du contrôle manuel.
- **Exposition:** Paramètres de configuration
  - **Mode Exposition:** Ce paramètre configure l'algorithme d'exposition (AUTO, MANUAL, IRIS, SHUTTER, BRIGHT). Les champs de contrôle correspondants sont affichés en fonction de la modalité sélectionnée.
  - **Haute Sensibilité:** Avec ce mode, le gain maximum augmente pour donner des images plus lumineuses, même avec des scènes sombres.
  - **Compensation du Rétroéclairage:** Ce paramètre active le mode de compensation pour la vision à contre-jour.
  - **Auto Slowshutter:** Ce paramètre active le mode d'acquisition à basse fréquence d'images.
  - **Limite du Gain:** Ce paramètre définit la valeur maximale du gain pour l'algorithme d'exposition.
  - **Compensation de l'Exposition:** Ce paramètre active la correction de la luminosité de la scène.
  - **Valeur de Compensation :** Le paramètre définit la valeur de correction de la luminosité de la scène.

- **Équilibre Blanc:** Paramètres de configuration
  - **Mode:** Cela permet de configurer la balance du blanc en mode automatique ou manuel.
- **Wide Dynamic Range:** Paramètres de configuration
  - **Wide Dynamic Range:** Ce paramètre permet d'activer la fonction d'amélioration du contraste entre des zones lumineuses et des zones d'ombre. Le mode Visibility Enhancer (VE) permet d'optimiser la vision en réduisant le bruit au minimum.
  - **Niveau Lumière:** Ce paramètre définit le seuil moyen de luminosité de la scène.
  - **Sélection de Correction de la Luminosité:** Ce paramètre définit la zone dans laquelle la correction de la luminosité sera effectuée.
  - **Niveau Compensation Lumière:** Ce paramètre spécifie le niveau de compensation appliqué à la zone sélectionnée.
- **Options:** Paramètres de configuration
  - **Stabilisateur d'Images:** Ce paramètre active le stabilisateur électronique des images.
  - **Réduction du Bruit:** Ce paramètre définit le niveau et donc le mode (2D, 3D) de réduction du bruit.
  - **Haute Résolution:** Ce paramètre active l'amélioration des contours et génère des images d'une plus grande définition.
  - **Netteté:** Ce paramètre définit le niveau de netteté des contours.
  - **Modalité Defog:** Ce paramètre active la fonction permettant d'améliorer la vision en cas de brouillard.
  - **Correction de la Surexposition:** Ce paramètre active la fonction de masquage des zones surexposées.
  - **Correction de la Surexposition au Niveau du Masquage:** Ce paramètre définit le niveau de luminosité au-delà duquel le masquage doit être appliqué.

| Zoom           |           |
|----------------|-----------|
| Zoom Numérique | DÉSACTIVÉ |
| Vitesse Zoom   | 4         |

| Focus          |             |
|----------------|-------------|
| Mode Autofocus | PTZ TRIGGER |
| Vitesse Focus  | 4           |

| Exposition                     |      |
|--------------------------------|------|
| Mode Exposition                | AUTO |
| Haute Sensibilité              | OFF  |
| Compensation du Retroéclairage | OFF  |
| Auto Slowshutter               | ON   |
| Limite du Gain (dB)            | 15.4 |
| Compensation de l'Exposition   | OFF  |

| Équilibre Blanc |              |
|-----------------|--------------|
| Mode            | OUTDOOR AUTO |

| Wide Dynamic Range                       |          |
|--|----------|
| Wide Dynamic Range                       | ON       |
| Niveau Lumière                           | 3        |
| Sélection de Correction de la Luminosité | STANDARD |
| Niveau Compensation Lumière              | MID      |

| Options  |     |
|--|-----|
| Stabilisateur d'Images                               | OFF |
| Réduction du Bruit                                   | OFF |
| Haute Résolution                                     | OFF |
| Netteté  | 1   |
| Modalité Defog                                       | OFF |
| Correction de la Surexposition                       | OFF |
| Correction de la Surexposition au Niveau du Masquage | OFF |

Fig. 93

La configuration des paramètres du streaming vidéo doit être effectuée via le protocole ONVIF à l'aide d'un VMS compatible ou de l'application Onvif Device Manager (choix conseillé).

### 10.3.20 Page Masquage

La page de configuration est disponible uniquement si l'accessoire relatif est présent (11.6 Module caméra visible, page 51).

Dans la rubrique du menu Masquage, vous pouvez définir les zones qui apparaissent obscures à la vidéo.

Le clavier virtuel permet de déplacer l'appareil. Pour définir la vitesse, utilisez le menu déroulant présent sous le clavier virtuel.

Les touches Patrol, Recall Présélection et Accueil permettent d'activer les fonctions correspondantes.

- **Sélection du Masquage**



Fig. 94

- **Mode Masquage:** Durant le déplacement PTZ, il est possible d'occulter certaines portions de la vidéo. Une fois la position configurée atteinte, toute la vidéo est obscurcie. Deux modes de masquage sont disponibles. Le mode PAN-TILT (rotation-inclinaison) active le masque en se basant sur les coordonnées de l'axe horizontal et de l'axe vertical. Le mode PAN (rotation) active le masque en se basant uniquement sur les coordonnées de l'axe horizontal.



Fig. 95

- **Position de Début du Masque:** Configurez le point d'activation du masque.



Fig. 96

- **Position de Fin du Masque:** Configurez le point de désactivation du masque.



Fig. 97

- **Activer le Masque/Désactiver le Masque/Placer au Centre du Masque/Supprimer tous les Masques**



Fig. 98



Fig. 99



### 10.3.21 Page Registre Système

Dans la rubrique du menu Registre Système, vous pouvez afficher l'historique des événements.

Le système peut détecter différents types de changements d'état.

Les touches sous la fenêtre du journal permettent de sélectionner le filtre selon la gravité.

- **Error Level:** Affichez seulement les erreurs critiques.
- **Warning Level:** Affiche les erreurs qui peuvent compromettre le fonctionnement correct.
- **Download Files:** Permet de télécharger les fichiers journaux.

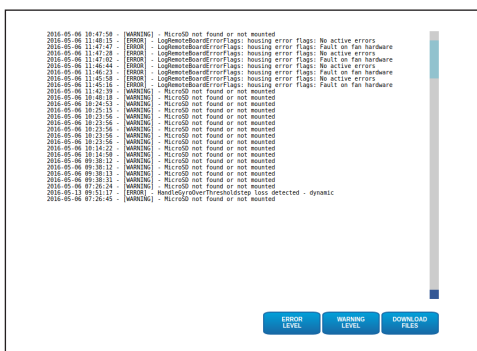


Fig. 100

### 10.3.22 Page Instruments

A la mention du menu Instruments il est possible de reconfigurer les valeurs prédéfinies pour toute la configuration de la tourelle ou seulement pour certaines sections spécifiques.

Dans cette section, il est en outre possible :

- Mettre à jour le firmware du dispositif.
- Enregistrez ou chargez la configuration de l'appareil à partir du fichier.
- Copiez ou chargez la configuration de l'appareil à partir de la carte Micro SD.
- Redémarrer le dispositif.

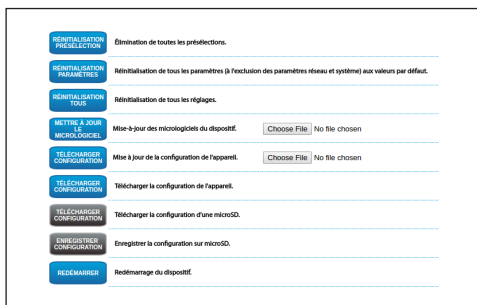


Fig. 101

## 11 Accessoires

**i** Pour de plus amples informations sur la configuration et l'utilisation, consulter le manuel de l'accessoire correspondant.

### 11.1 Système de lavage

La tourelle peut être équipée d'une pompe extérieure qui fournit de l'eau pour le nettoyage de la vitre.

Lorsque l'on envoie la commande, la tourelle se positionne avec la vitre devant la buse. La pompe et l'essuie-glace sont validés pendant une durée déterminée. À la fin de la procédure la tourelle revient dans sa position initiale.

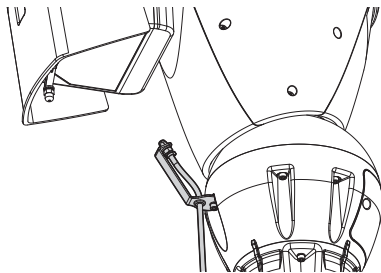


Fig. 102

**i** Pour d'autres renseignements se référer à le chapitre relatif (10.3.18 Page Installation de Lavage, page 45).

### 11.2 Bride de support pour projecteurs à LED

Pour installer les projecteurs à LED VIDEOTEC, vous pouvez équiper l'appareil d'une bride de support.

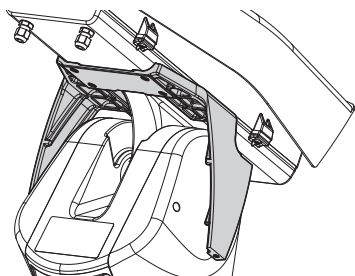


Fig. 103 UPTIRNBKT.

### 11.3 Projecteurs à LED

L'appareil peut être muni de projecteurs à LED.

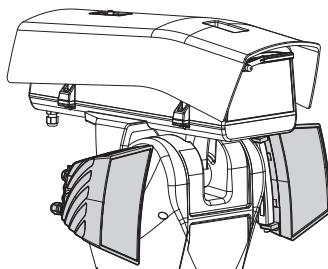


Fig. 104 UPTIRN.

**i** Pour d'autres renseignements se référer à le chapitre relatif (8.7 Montage des projecteurs à LED (en option), page 27).

### 11.4 Support fixation murale

Support mural avec passage interne des câbles.

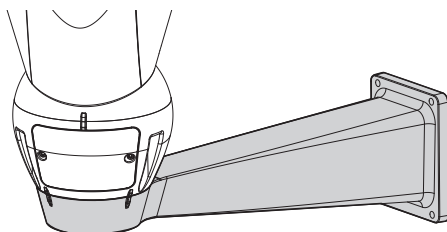


Fig. 105 UPTWBA.

### 11.5 Support fixation sol

Support de fixation au sol avec passage interne des câbles.

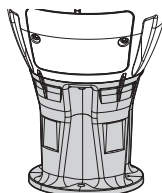


Fig. 106 UPTWBTAB.

## 11.6 Module caméra visible

L'appareil peut être équipé d'une caméra à spectre visible.

Caméra complémentaire Full HD 1080p, 30x (4,3-129 mm), 60 fps, température jusqu'à +65 °C.

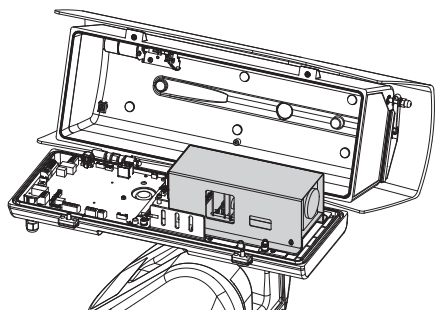


Fig. 107 CAMHD30X.

**i** Pour d'autres renseignements se référer à le chapitre relatif (7.4.6 Installation du module caméra visible (en option), page 20).

## 11.7 Vitre chauffée antigel

Le produit peut être muni de verre réchauffé antigivre.

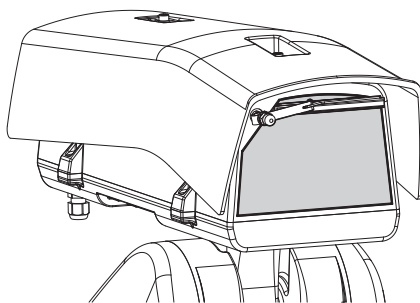



Fig. 108 UPTBVTR.

**i** Pour d'autres renseignements se référer à le chapitre relatif (7.4.7 Installation du corps supérieur du caisson avec vitre chauffée antigel et essuie-glace (en option), page 21).


## 12 Entretien

 **Sectionner l'alimentation électrique avant toute intervention technique sur l'appareil.**

 **L'entretien doit être uniquement effectué par un personnel qualifié en matière de circuits électriques.**

Si vous contactez le service technique de VIDEOTEC ou un centre d'assistance agréé, vous devez fournir le numéro de série du produit (4.3 Marquage du produit, page 11 e 10.3.4 Page Paramètres Dispositif, page 39).

### 12.1 Remplacement des fusibles

 **ATTENTION! Pour assurer la protection contre le risque d'incendie, remplacer les fusibles avec le même type et valeur. Les fusibles doivent être remplacés seulement par un personnel qualifié.**


En cas de besoin, on peut remplacer les fusibles de la carte connecteurs (8.2.1 Description de la carte de connexion, page 23). Les nouveaux fusibles devraient respecter les indications fournies dans le tableau.

| REPLACEMENT DES FUSIBLES |                      |                       |                     |
|--------------------------|----------------------|-----------------------|---------------------|
| Tension                  | Fusible F1           | Fusible F2            | Fusible F3          |
| 24Vac,<br>50/60Hz        | T 10A H 250V<br>5x20 | T 6.3A H 250V<br>5x20 | T 4A H 250V<br>5x20 |
| 120Vac,<br>50/60Hz       | T 4A H 250V<br>5x20  |                       |                     |
| 230Vac,<br>50/60Hz       | T 4A H 250V<br>5x20  |                       |                     |

Tab. 9


## 13 Nettoyage

### 13.1 Entretien de la vitre et des parties en plastique

 **On doit éviter alcool éthylique, solvants, hydrocarbures hydro-génés, acides forts et alcali. L'emploi de ce type de produits abîme d'une façon irréparable la surface traitée.**


Il est conseillé d'utiliser un chiffon souple avec des savons neutres dilués avec de l'eau ou des produits spécifiques pour le nettoyage des verres des lunettes.

### 13.2 Nettoyage de la fenêtre en germanium

 **Nettoyer la fenêtre en ayant soin de ne pas rayer ni érafler l'enduit protecteur de carbone externe. L'endommagement du revêtement risque de compromettre la transparence à l'infrarouge de la surface.**

Le nettoyage doit être fait avec du savon neutre dilué avec de l'eau.

## 14 Élimination des déchets

 **Ce symbole et le système de recyclage ne sont appliqués que dans les pays UE et non dans les autres pays du monde.**

Votre produit est conçu et fabriqué avec des matériaux et des composants de qualité supérieure qui peuvent être recyclés et réutilisés.

Ce symbole signifie que les équipements électriques et électroniques en fin de vie doivent être éliminés séparément des ordures ménagères.

Nous vous prions donc de confier cet équipement à votre Centre local de collecte ou Recyclage.

Dans l'Union Européenne, il existe des systèmes sélectifs de collecte pour les produits électriques et électroniques usagés.

# 15 Dépannage



**Pour toute problématique non décrite ou si les problèmes énumérés ci-après persistent, contactez le service technique VIDEOTEC ou un centre d'assistance agréé.**

**PROBLÈME** Le produit ne s'allume pas.

**CAUSE** Câblage incorrect, rupture des fusibles.

**SOLUTION** Vérifier les connexions. Vérifier la continuité des fusibles et les remplacer avec les modèles indiqués en cas de panne.

**PROBLÈME** Dans des conditions particulières de zoom, une interférence se produit entre le caisson ou le toit et l'image filmée (version avec système optique motorisé uniquement).

**CAUSE** Position de la caméra ou de l'optique trop en retrait par rapport à la vitre.

**SOLUTION** Régler la position de la caméra et de l'optique.

**PROBLÈME** L'interface logicielle affiche le message suivant:

## ULISSE2

### ATTENTION

Réinitialisation d'usine est toujours actif.

Suivez la procédure pour compléter la réinitialisation d'usine.

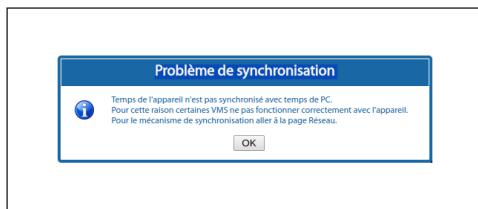
- Éteindre l'unité.
- Ouvrez le module des connecteurs.
- Recherchez le DIP switch 1. Mettez le switch 2 sur OFF.
- Fermez le module des connecteurs.
- Allumer l'unité.

Videotec S.p.A.

**CAUSE** Le DIP switch de standards d'usine est sur ON.

**SOLUTION** Suivre les instructions reportées dans le chapitre suivant (8.3.2 Description de la procédure des standards d'usine, page 26).

**PROBLÈME** L'interface logicielle affiche le message suivant:



**CAUSE** Le serveur NTP n'est pas accessible ou n'est pas configuré.

**SOLUTION** Contrôlez qu'il fonctionne. Sur la page de configuration du réseau, vérifiez que les réglages sont appropriés. Si aucun serveur n'est présent, vous devez synchroniser l'appareil avec la date et l'heure du PC qui contrôle ce dernier (la date et l'heure sont réinitialisées au démarrage suivant).

**PROBLÈME** Le journal système affiche le message d'erreur suivant : Erreur sur les projecteurs ou la fréquence d'alimentation est hors de la portée.

**CAUSE** Le fusible F3 est endommagé ou la fréquence d'alimentation est hors de la portée prédéfinie.

**SOLUTION** Vérifiez la continuité du fusible et en cas de panne, remplacez-le. Vérifiez la fréquence de la ligne d'alimentation de la tourelle.

|                 |  |
|-----------------|--|
| <b>PROBLÈME</b> | <b>Le journal système affiche le message d'erreur suivant : MicroSD...</b>   |
| CAUSE           | Le système ne peut pas gérer la carte Micro SD installée.  |
| SOLUTION        | Vérifiez que la carte Micro SD est compatible avec le système. En cas de dysfonctionnement, remplacez la carte Micro SD. |

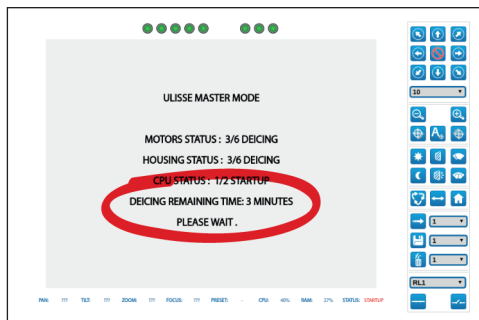
|                 |  |
|-----------------|--|
| <b>PROBLÈME</b> | <b>Le journal système affiche les erreurs Error on heater hardware, Error on demist hardware et Error on fan hardware.</b> |
| CAUSE           | Le système ne détecte pas correctement la glissière principale présente dans le caisson.                                   |
| SOLUTION        | Vérifiez que la glissière principale est correctement installée.   |

|                 |   |
|-----------------|---|
| <b>PROBLÈME</b> | <b>L'interface logicielle affiche le message suivant:</b> |
|-----------------|---|



|          |   |
|----------|---|
| CAUSE    | Branchement ou configuration incorrect(e) de la caméra.   |
| SOLUTION | Vérifiez l'alimentation et le câble Ethernet de la caméra. Vérifiez que la préconfiguration de la caméra et la configuration matérielle de l'appareil ont été effectuées. |
| CAUSE    | Configuration incorrecte du protocole ONVIF sur la caméra.  |
| SOLUTION | Vérifiez l'activation du protocole ONVIF et les informations de connexion de l'accès de la caméra.  |

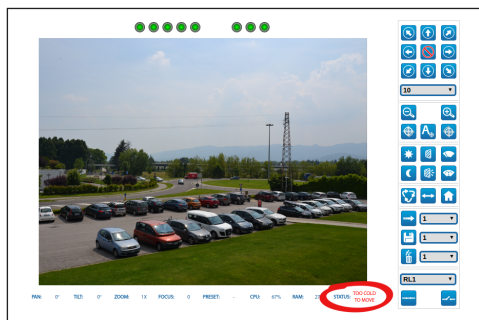
**PROBLÈME** Durant l'allumage, la tourelle reste bloquée et l'interface logicielle affiche le message suivant:



**CAUSE** La température ambiante est très basse.

**SOLUTION** Attendre la fin de la procédure de préchauffage.

**PROBLÈME** L'interface logicielle affiche le message suivant:



**CAUSE** La température ambiante est trop basse.

**SOLUTION** Les mouvements de la tourelle sont bloqués pour empêcher les dommages mécaniques.

**PROBLÈME** Il n'est pas possible de mettre au point l'image avec l'optique motorisée:

**CAUSE** Réglage du Back Focus non correct.

**SOLUTION** Exécuter la procédure suivante en cadrant le sujet à au moins 20 mètres de distance.

- 1-Ouvrir complètement l'iris
- 2-Mettre le zoom complètement sur longue focale (tele).
- 3-Mettre au point le sujet avec Focus far / Focus near.
- 4-Mettre le zoom complètement sur courte focale (wide).
- 5-Mettre au point en utilisant le mécanisme de réglage Back Focus de la caméra.
- 6-Mettre le zoom complètement sur longue focale (tele) et mettre le sujet au point avec Focus far / Focus near.
- 7-Mettre le zoom complètement sur courte focale (wide) et vérifier que la mise au point est correcte.

## 16 Données techniques

### 16.1 Généralités

Fabriqué en fonte d'aluminium et en technopolymère

Vernissage avec poudres époxypolyester, couleur RAL9002

Top-mount

Installation facilitée par une seule clé hexagonale et des vis imperdables

Fluidité optimale des mouvements

Transmission par courroie dentée de haute précision sans jeu mécanique

Lecture via ONVIF de la position de rotation/inclinaison/zoom

Slip-ring

Fins de course électroniques

Essuie-glace intégré

Emplacement de carte Micro SD pour enregistrer la configuration et le journal

Caisson équipé de ventilation à air forcé

Compensation zéro mécanique de l'axe horizontal (offset de rotation)

Limites des axes vertical et horizontal électroniques configurables

### 16.2 Mécanique

Presse-étoupes: 2xM20 + 1xM16 + garniture spéciale pour câbles RJ45

Rotation horizontale: continue

Rotation verticale: de +90° à -40°

- Vitesse horizontale variable: de 0.02°/s à 100°/s (de 0.02°/s à 50°/s avec projecteurs)
- Vitesse verticale variable: de 0.02°/s à 50°/s (de 0.02°/s à 50°/s avec projecteurs)

L'unité réduit automatiquement la vitesse en fonction du zoom avec la caméra complémentaire et les objectifs motorisés dotés de potentiomètres

Précision du rappel des positions de preset: 0.02°

Surface intérieure utile (WxHxL): 100x100/60x414mm (Voir dessins)

Poids net: 20.4kg

Caisson à ouverture latérale



## 16.3 Fenêtres pour caisson

Fenêtre pour caméras Megapixel: (WxH) 125x91mm

Fenêtre en germanium (diamètre utile: 61mm)

- Épaisseur: 2mm
- Traitement extérieur: résistant aux rayures Hard Carbon Coating (DLC) + antireflets
- Traitement intérieur: antireflets
- Réponse spectrale: de 7.5µm jusqu'à 14µm
- Transmittance moyenne (de 7.5µm jusqu'à 11.5µm): 90%
- Transmittance moyenne (de 11.5µm jusqu'à 14µm): 77%

Fenêtre en germanium (diamètre utile: 66mm)

- Épaisseur: 4mm
- Traitement extérieur: résistant aux rayures Hard Carbon Coating (DLC) + antireflets
- Traitement intérieur: antireflets
- Réponse spectrale: de 8µm jusqu'à 14µm

## 16.4 Électrique

Tension d'alimentation/Courant absorbé:

- 230Vac ±10%, 1.1A, 50/60Hz
- 24Vac ±10%, 10A, 50/60Hz
- 120Vac ±10%, 2A, 50/60Hz

Puissance absorbée:

- 27W, tourelle à l'arrêt, chauffage éteint, sans caméra
- 34W, tourelle à l'arrêt, chauffage éteint, caméra 30x
- 49W, tourelle en mouvement, chauffage éteint, caméra 30x
- 97W, tourelle en mouvement, chauffage allumé, projecteurs éteints
- 157W, tourelle en mouvement, chauffage allumé, projecteurs allumés, caméra 30x

Section des câbles du signal: de 0.5mm<sup>2</sup> (20AWG) jusqu'à 1.5mm<sup>2</sup> (16AWG)

Entrées des alarmes à alimentation automatique: 4

Sorties relais: 2 (1 A, 30 V en CA/CC max.)

Système antibuée pour fenêtre avec pression d'air chaud thermorégulé

Système antigivre avec verre autochauffant, 7 W max. (en option)

## 16.5 Réseau

Connexion Ethernet: 100 Base-TX

- Protocoles réseau: IPv4, HTTP, Bonjour, DNS, NTP, RTSP, RTP, TCP, UDP, IGMP, RTCP, ICMP, DHCP, ARP, ONVIF Profil S
- Systèmes de protection pris en charge: protection par mot de passe (digest-authentication et w-security)

## 16.6 Caméra

### Spécifications des caméras pouvant être installées

Diverses modes de communication avec la caméra IP :

- la tourelle contrôle la caméra IP via ONVIF S (PTZ Master)
- la caméra contrôle la tourelle via le port série RS485 (Camera Master)

Sélection du mode de communication avec la caméra IP : via dip-switch

Débit binaire nominal du streaming vidéo (somme de tous les streamings de la caméra) : 60 Mbit/s

Configuration de la caméra IP par liaison directe avec la page Web de la caméra

Contrôle PTZ (seulement avec le mode Camera Master) : RS485, protocole Pelco-D, débit en bauds: 9600 baud

Alimentation de la caméra : 12V, 1,5A max. avec fonction dégivrage

Alimentation des moteurs des optiques : 6-9-12-15 V en CC, 200 mA max.

Alimentation des potentiomètres des optiques : 5 V, 15 mA max.

Contrôle des optiques : fil commun ZF, fil séparé ZF ou RS485

Déclencheur de l'autofocus optique motorisé : Relais

Gestion du déclencheur de l'autofocus optique : 500 ms impulsion, 15 s impulsion, normalement ouvert, normalement fermé

Synchronisation Jour/Nuit de la caméra : ONVIF ou relais

Exportation E/S de la caméra: 1 entrée à alimentation automatique, 1 sortie relais

Poids maximum de la caméra+optique: 2.3 kg

### Caméra complémentaire en option VIDEOTEC (code CAMHD30X)

Day/Night Full HD 30x

Capteur d'image: 1/2.8 type Exmor™ CMOS sensor

Pixels effectifs: environ 2.38 Megapixels

Éclairage minimum, couleur (ICR-OFF):

- 1.4lx, 1/30s, 50 IRE (mode Normal)
- 0.35lx, 1/30s, 50 IRE (Haute sensibilité)
- 0.19lx, 1/3s, 50 IRE (mode Normal)
- 0.05lx, 1/3s, 50 IRE (Haute sensibilité)

Éclairage minimum, B/W (ICR-ON):

- 0.05lx, 1/30s, 50 IRE (mode Normal)
- 0.013lx, 1/30s, 50 IRE (Haute sensibilité)
- 0.002lx, 1/3s, 30 IRE (Haute sensibilité)

Objectif: f=4.3 mm (wide) ~ 129.0 mm (tele), de F1.6 à F4.7

Zoom optique: 30x (360x avec le zoom numérique)

Angle de vision horizontal: 63.7° (wide end), 2.3° (tele end)

Distance minimum de l'objet: 10mm (wide) ~ 1200mm (tele)

Electronic Shutter: 1/1 à 1/10000 s, 22 étapes

Équilibrage du blanc: Auto, ATW, Intérieur, Extérieur, Extérieur Auto, Lampe à vapeur de sodium (Fix, Auto, Extérieur Auto), One-push, Manuel

Gain: Auto, Manuel, Limite Du Gain (de 3dB jusqu'à 43dB, étapes: 3dB)

Wide Dynamic Range: On/Off/visibilité améliorée, Niveau lumière, Sélection de correction de la luminosité, Niveau compensation lumière

Système Focus: Auto (Sensibilité: Normal, Basse), Manuel, déclencheur PTZ

Contrôle Exposition: Auto, EV Compensation, Manuel, Priorité (Priorité shutter, Priorité iris), Luminosité, Slow AE

S/N Ratio: 50dB

Wide-D (wide dynamic range): 130dB

De-fog: On/Off

Rapidité proportionnelle au zoom

Masquage à zone (angles de rotation ou angles de rotation/inclinaison)

Stabilisateur électronique

## 16.7 Environnement

Intérieur/Extérieur

Température de fonctionnement: de -40°C jusqu'à +65°C

Intervention de la fonction de dégivrage: de -40°C jusqu'à -10°

Résistance au vent

- Tourelle à l'arrêt: 220 km/h max
- Tourelle en mouvement, à la plus grande vitesse, avec projecteurs à LED: 140km/h max

Humidité relative: de 10% jusqu'à 95% (sans condensation)

## 16.8 Certifications

Sécurité électrique (CE): EN60950-1, IEC60950-1

Compatibilité électromagnétique (CE): EN50130-4, EN61000-6-4, EN55022 (Classe A), EN55032 (Classe A), FCC Part 15 (Classe A)

Installation à l'extérieur (CE): EN60950-22, IEC60950-22

Degré de protection IP: EN60529, IP66

Résistant au brume saline: EN50130-5, EN60068-2-52

Certification UL: cULus Listed, TYPE 4X (uniquement les versions en 24 V en CA et 120 V en CA)

Certification EAC

Test des vibrations: EN50130-5 Cl. 22, Cl. 23 (EN60068-2-6)

# 17 Dessins techniques



Les dimensions des dessins sont exprimées en millimètres.

FR - Français - Manuel d'instructions

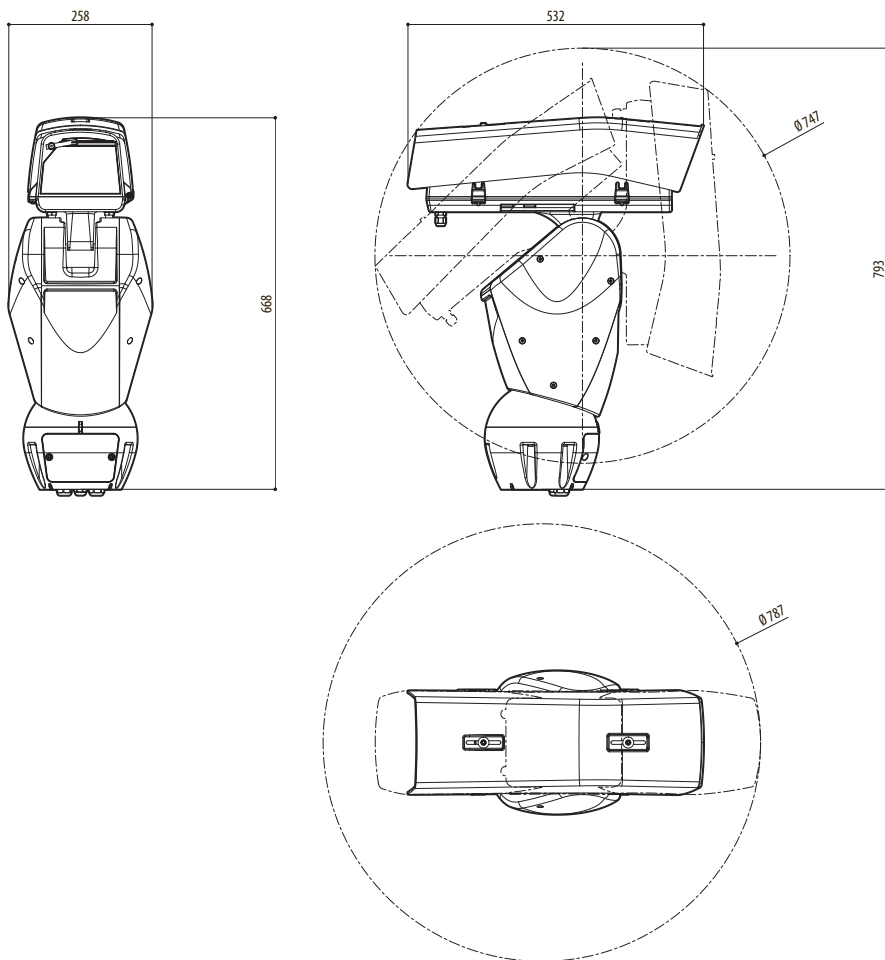
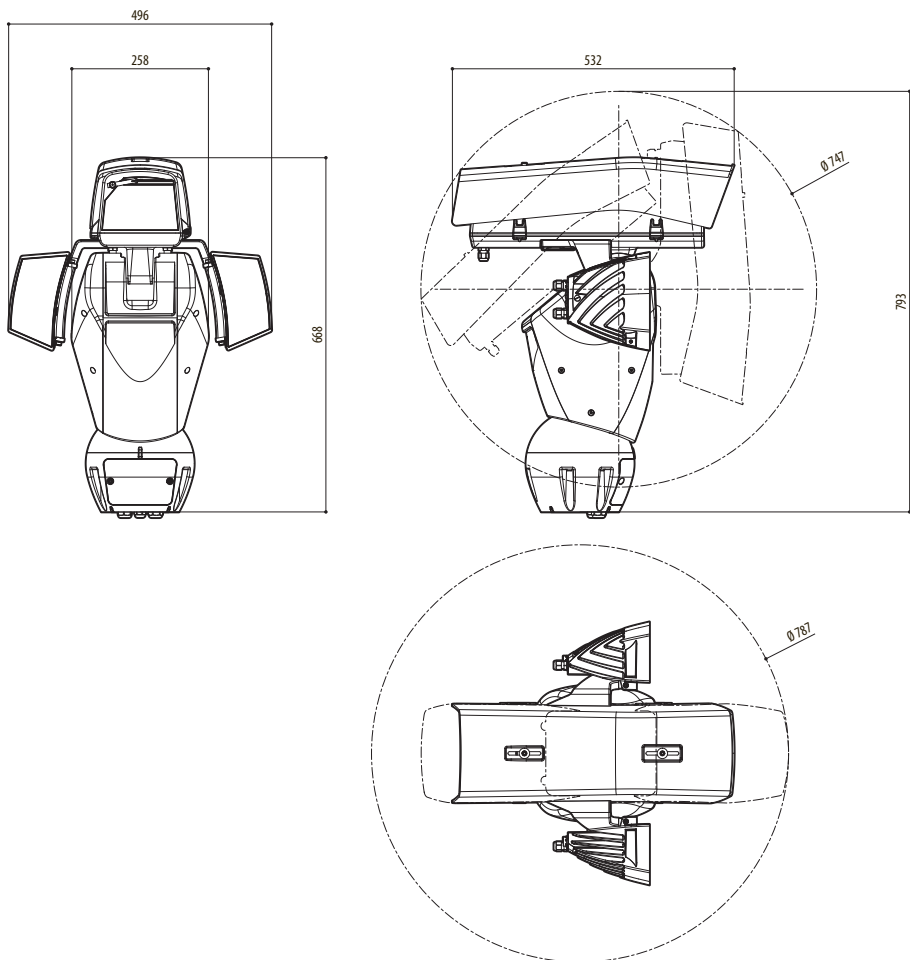
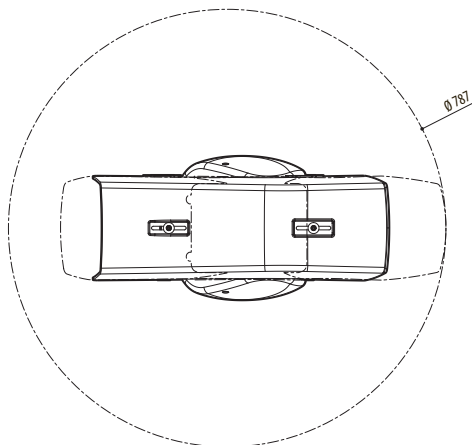
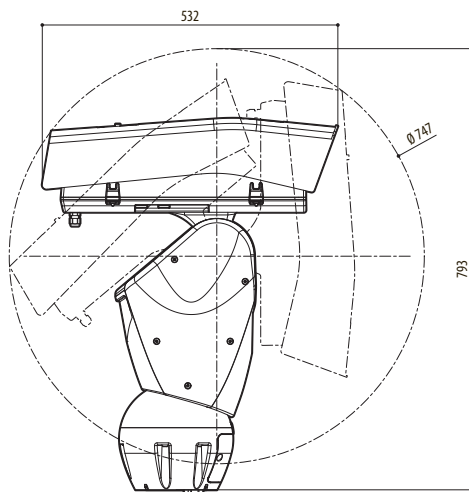
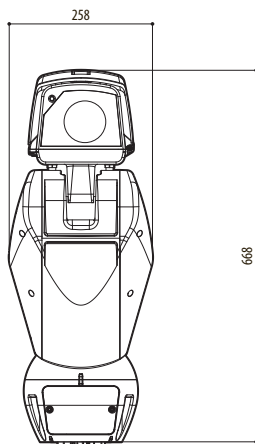
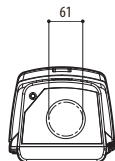
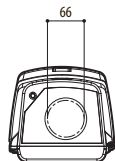


Fig. 109 ULISSE2.



**Fig. 110** ULISSE2, version avec 2 projecteurs à LED.

FENÊTRE EN  
GERMANIUM



**Fig. 111** ULISSE2, version pour caméras thermiques.

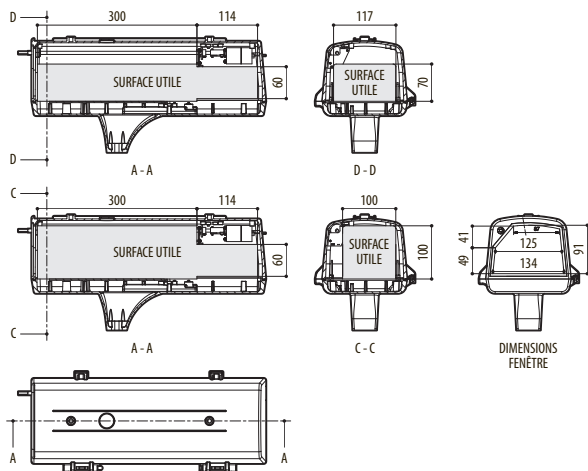


Fig. 112 ULISSE2, caisson.

**Headquarters Italy** Videotec S.p.A.

Via Friuli, 6 - I-36015 Schio (VI) - Italy  
Tel. +39 0445 697411 - Fax +39 0445 697414  
Email: info@videotec.com

**Asia Pacific** Videotec (HK) Ltd

Flat 8, 19/F. On Dak Industrial Building, No. 2-6 Wah Sing Street  
Kwai Chung, New Territories - Hong Kong  
Tel. +852 2333 0601 - Fax +852 2311 0026  
Email: info.hk@videotec.com

**France** Videotec France SARL

Immeuble Le Montreal, 19bis Avenue du Québec, ZA de Courtaboeuf  
91140 Villebon sur Yvette - France  
Tel. +33 1 60491816 - Fax +33 1 69284736  
Email: info.fr@videotec.com

**Americas** Videotec Security, Inc.

Gateway Industrial Park, 35 Gateway Drive, Suite 100  
Plattsburgh, NY 12901 - U.S.A.  
Tel. +1 518 825 0020 - Fax +1 518 825 0022  
Email: info.usa@videotec.com - www.videotec.com



www.videotec.com

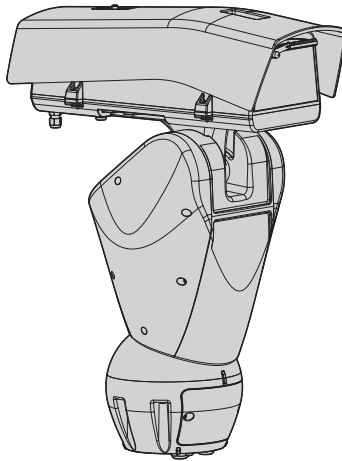
**MNVCU2\_1638\_FR**





# ULISSE2

Universelles PTZ Full IP für IP-Kameras





# Inhaltsverzeichnis

|  |           |
|--|-----------|
| <b>1 Allgemeines .....</b>   | <b>7</b>  |
| 1.1 Schreibweisen.....   | 7         |
| <b>2 Anmerkungen zum Copyright und Informationen zu den Handelsmarken.....</b>   | <b>7</b>  |
| <b>3 Sicherheitsnormen .....</b>   | <b>8</b>  |
| <b>4 Identifizierung .....</b>   | <b>10</b> |
| 4.1 Beschreibung und Bezeichnung des Produktes.....  | 10        |
| 4.2 Produktübersicht .....   | 10        |
| 4.3 Kennzeichnung des Produkts.....  | 11        |
| 4.3.1 Prüfung der Kennzeichnung .....  | 11        |
| <b>5 Versionen.....</b>  | <b>11</b> |
| 5.1 Fensterscheibe aus Germanium.....  | 11        |
| <b>6 Vorbereitung des Produktes auf den Gebrauch.....</b>  | <b>12</b> |
| 6.1 Sicherheitsvorkehrungen vor dem Gebrauch.....  | 12        |
| 6.2 Entfernen der Verpackung .....   | 12        |
| 6.3 Inhalt .....   | 12        |
| 6.4 Sichere Entsorgung der Verpackungsmaterialien .....  | 12        |
| 6.5 Auf die Installation vorbereitende Tätigkeiten.....  | 13        |
| 6.5.1 Befestigung der Halterung.....   | 13        |
| 6.5.2 Kabelführung .....   | 13        |
| 6.5.3 Vorkonfiguration der Kamera von Drittanbietern .....   | 13        |
| <b>7 Zusammenbau .....</b>   | <b>14</b> |
| 7.1 Eigenschaften der Kameras .....  | 14        |
| 7.2 Befestigung des Dachs .....  | 14        |
| 7.3 Montage Kamera und motorisch bewegte Optiken .....   | 14        |
| 7.3.1 Öffnung des Schutzgehäuse .....  | 14        |
| 7.3.2 Installation der Kamera .....  | 15        |
| 7.4 Anschluss der Kamera und der motorisch bewegten Optik.....   | 17        |
| 7.4.1 Beschreibung der Karte Gehäuse .....   | 17        |
| 7.4.2 Max. Nennwerte der Kamera und der motorisierten Optik .....  | 18        |
| 7.4.3 Anschluss der Netzwerkkamera.....  | 18        |
| 7.4.4 Verbindung der spannungsgeregelten motorisierten Optiken .....   | 19        |
| 7.4.4.1 Verbindung der Optiken mit Motoren mit umgekehrter Polarität.....  | 19        |
| 7.4.4.2 Verbindung der Optiken mit Motoren mit gemeinsamen Draht .....   | 19        |
| 7.4.4.3 Einstellung der Versorgungsspannung der Motoren der Optiken .....  | 19        |
| 7.4.4.4 Anschluss der Potenziometer.....   | 19        |
| 7.4.4.5 One Push Autofocus .....   | 20        |
| 7.4.5 Verbindung der über eine serielle Leitung gesteuerten motorisierten Optiken .....                                  | 20        |
| 7.4.6 Installation des Kameramoduls sichtbar (Sonderausstattung).....  | 20        |
| 7.4.7 Installation des oberen Gehäusekorpus mit beheizter Eisschutzscheibe und Scheibenwischer (Sonderausstattung) ..... | 21        |
| 7.4.8 Schließen des Gehäuses.....  | 21        |
| <b>8 Installation .....</b>  | <b>21</b> |
| 8.1 Befestigung der Basis an der Halterung .....   | 21        |

|  |           |
|--|-----------|
| 8.2 Anschluss des Schwenk-Neige-Kopfs an die Anlage .....                                | 23        |
| 8.2.1 Beschreibung der Karte Anschlüsse .....  | 23        |
| 8.2.2 Anschluss der Stromversorgung.....   | 23        |
| 8.2.3 Anschluss der Signalkabel.....   | 24        |
| 8.2.3.1 Anschluss der Ethernet-Kabel.....  | 24        |
| 8.2.3.2 Anschluss der Alarmeingänge, der Dämmerungsschalter und der Relais.....          | 24        |
| 8.3 Auswahl des Betriebsmodus der Einheit .....  | 25        |
| 8.3.1 Beschreibung des Modus Master Selection.....                                       | 25        |
| 8.3.2 Beschreibung des Vorgangs Factory Default (werkseitige Anfangseinstellungen) ..... | 26        |
| 8.4 Schließen der kleinen Klappe der Steckverbinder .....                                | 26        |
| 8.5 Installation der Speicherkarte .....   | 26        |
| 8.6 Befestigung des oberen Körpers.....  | 27        |
| 8.7 Montage der Scheinwerfer mit LED (fakultativ) .....                                  | 27        |
| 8.7.1 Bügelmontage.....  | 27        |
| 8.7.2 Montage des Scheinwerfers auf den Bügel .....                                      | 28        |
| 8.8 Anschluss der LED-Scheinwerfer .....   | 29        |
| 8.9 Einstellung und Aktivierungsarten der LED-Scheinwerfer .....                         | 29        |
| 8.9.1 Einstellung der Einschaltswelle der LED-Scheinwerfer.....                          | 30        |
| 8.9.2 Einstellung der Leistung der LED-Scheinwerfer.....                                 | 30        |
| 8.9.3 Aktivierung der LED-Scheinwerfer durch einen externen Dämmerungsschalter .....     | 31        |
| 8.9.4 Aktivierung der LED-Scheinwerfer durch den integrierten Dämmerungssensor .....     | 31        |
| 8.9.5 Aktivierung der LED-Scheinwerfer durch die Kamera .....                            | 31        |
| 8.9.6 Manuelle Aktivierung der LED-Scheinwerfer .....                                    | 31        |
| <b>9 Einschaltung .....</b>  | <b>32</b> |
| <b>10 Konfiguration.....</b>   | <b>32</b> |
| 10.1 Vorgegebene IP-Adresse.....   | 32        |
| 10.2 Identifikation der MAC-Adresse .....  | 32        |
| 10.3 Web-Schnittstelle .....   | 33        |
| 10.3.1 Erster Webseitenaufruf.....   | 33        |
| 10.3.2 Seite Hardware-Konfiguration .....  | 33        |
| 10.3.3 Home Seite .....  | 36        |
| 10.3.3.1 Snapshot des Videos .....   | 36        |
| 10.3.3.2 Systemstatus.....   | 36        |
| 10.3.3.3 Horizontale und vertikale Bewegung .....  | 37        |
| 10.3.3.4 Steuerung der Optiken.....  | 37        |
| 10.3.3.5 Steuerung des Scheibenwischers und der Scheibenwaschanlage.....                 | 37        |
| 10.3.3.6 Steuerung des Tag- / Nachtmodus .....   | 37        |
| 10.3.3.7 Steuerung des Scheinwerfers Slave.....  | 37        |
| 10.3.3.8 Steuerung Preset.....   | 38        |
| 10.3.3.9 Kontrolle Relais und Alarmstatus .....  | 38        |
| 10.3.3.10 Steuerung des Geräts über die Tastatur .....                                   | 38        |
| 10.3.4 Geräteparameter Seite .....   | 39        |
| 10.3.5 Gerätestatistiken Seite .....   | 39        |
| 10.3.6 Seite Netzwerk .....  | 39        |
| 10.3.7 Seite Nutzer .....  | 40        |
| 10.3.8 Seite Bewegungen.....   | 40        |
| 10.3.9 Autopan Seite.....  | 41        |
| 10.3.10 Patrol Seite .....   | 41        |
| 10.3.11 Bewegungsanforderung Seite.....  | 41        |

|  |           |
|--|-----------|
| 10.3.12 Seite Preset.....                              | 42        |
| 10.3.13 Seite Preset (Fortgeschritten).....            | 42        |
| 10.3.14 Seite Digitaleingänge.....                     | 42        |
| 10.3.15 Seite Digitalausgänge.....                     | 43        |
| 10.3.16 Seite Hilfsbefehle.....                        | 43        |
| 10.3.17 Seite Nachtmodus.....                          | 44        |
| 10.3.18 Seite Scheibenwaschanlage.....                 | 45        |
| 10.3.19 Kamera-Einstellungen Seite.....                | 46        |
| 10.3.19.1 Kamera von Drittanbietern.....               | 46        |
| 10.3.19.2 Kamera-Modul sichtbar.....                   | 46        |
| 10.3.20 Seite Maskierung.....                          | 48        |
| 10.3.21 Seite Systemaufzeichnung.....                  | 49        |
| 10.3.22 Werkzeuge Seite.....                           | 49        |
| <b>11 Zubehör.....</b>                                 | <b>50</b> |
| 11.1 Waschanlage.....                                  | 50        |
| 11.2 Bügelhalterung für LED-Scheinwerfer.....          | 50        |
| 11.3 LED Scheinwerfer.....                             | 50        |
| 11.4 Wandhalterung.....                                | 50        |
| 11.5 Halterung für Brüstungsmontage.....               | 50        |
| 11.6 Kamera-Modul sichtbar.....                        | 51        |
| 11.7 Heizbares Vereisungsschutz-Glas.....              | 51        |
| <b>12 Wartung.....</b>                                 | <b>52</b> |
| 12.1 Wechsel der Sicherungen.....                      | 52        |
| <b>13 Reinigung.....</b>                               | <b>52</b> |
| 13.1 Reinigung des Glases und der Kunststoffteile..... | 52        |
| 13.2 Putzen des Germaniumfensters.....                 | 52        |
| <b>14 Müllentsorgungsstellen.....</b>                  | <b>52</b> |
| <b>15 Problemlösung.....</b>                           | <b>53</b> |
| <b>16 Technische Daten.....</b>                        | <b>56</b> |
| 16.1 Allgemeines.....                                  | 56        |
| 16.2 Mechanik.....                                     | 56        |
| 16.3 Fenster für Gehäuse.....                          | 57        |
| 16.4 Elektrik.....                                     | 57        |
| 16.5 Netzwerk.....                                     | 57        |
| 16.6 Kamera.....                                       | 58        |
| 16.7 Umgebung.....                                     | 59        |
| 16.8 Zertifizierungen.....                             | 59        |
| <b>17 Technische Zeichnungen.....</b>                  | <b>60</b> |



# 1 Allgemeines

Vor Installation und Anwendung der Einheit ist die gesamte gelieferte Dokumentation aufmerksam zu lesen. Zum späteren Nachschlagen das Handbuch in Reichweite aufbewahren.

## 1.1 Schreibweisen



### GEFAHR!

**Erhöhte Gefährdung.**  
**Stromschlaggefahr.** Falls nichts anderes angegeben, unterbrechen Sie die Stromversorgung, bevor die beschriebenen Arbeiten durchgeführt werden.



### GEFAHR!

**Gefahr mechanischer Natur.**  
**Quetsch- oder Scherkantengefahr.**



### GEFAHR!

**Heiße Oberfläche.**  
**Nicht berühren.** Die Oberflächen sind heiß und können bei Berührung zu Verbrennungen führen.



### GEFAHR!

**Emission von sichtbarem oder infrarotem Licht.**  
**Kann zu Verletzungen an den Augen führen.** Die mitgelieferten Informationen beachten.



### ACHTUNG!

**Mittlere Gefährdung.**  
**Der genannte Vorgang hat große Bedeutung für den einwandfreien Betrieb des Systems.** Es wird gebeten, sich die Verfahrensweise durchzulesen und zu befolgen.



### ANMERKUNG

**Beschreibung der Systemmerkmale.**  
**Eine sorgfältige Lektüre wird empfohlen, um das Verständnis der folgenden Phasen zu gewährleisten.**

## 2 Anmerkungen zum Copyright und Informationen zu den Handelsmarken

Die angeführten Produkt- oder Firmennamen sind Handelsmarken oder eingetragene Handelsmarken.

### 3 Sicherheitsnormen



**ACHTUNG!** Die elektrische Anlage, an der die Einheit angeschlossen ist, muss mit einem automatischen zweipoligen Schutzschalter 20A max ausgestattet sein. Dieser Schalter muss vom Typ Listed sein. Zwischen den Schutzschalter Kontakten muss mindestens ein Abstand von 3mm vorhanden sein. Der Schalter muss eine Schutzeinrichtung gegen Erde Fehlerstrom (Differenzial) und gegen Überstrom haben (magnetothermisch).



**Unterbrechen Sie die Stromversorgung, bevor die beschriebenen Arbeiten durchgeführt werden.**



**ACHTUNG!** Gefährliche Loseile. Finger und andere Körperteile fernhalten.



**ACHTUNG!** Die Installation und Wartung der Vorrichtung ist technischen Fachleuten vorbehalten.



**ACHTUNG!** Damit ein ständiger Brandschutz garantiert wird, sind die Sicherungen nur in dem gleichen Typ und Wert zu ersetzen. Die Sicherungen sind nur von Fachleuten zu ersetzen.



**ACHTUNG!** Die Anlage gehört zum Typ TNV-1. Nicht an Kreisläufe SELV anschließen.



**ACHTUNG!** Zur Senkung der Brandgefahr dürfen nur UL Listed oder CSA zertifizierte Kabel benutzt werden, die mindestens dem Querschnitt 0.14mm<sup>2</sup> (26AWG) entsprechen.



**ACHTUNG!** Vor Öffnen des Produkts den Steckverbinder des TNV-Stromkreises trennen.

- Der Hersteller lehnt jede Haftung für eventuelle Schäden ab, die aufgrund unsachgemäßer Anwendung der in diesem Handbuch erwähnten Geräte entstanden ist. Ferner behält er sich das Recht vor, den Inhalt ohne Vorkündigung abzuändern. Die Dokumentation in diesem Handbuch wurde sorgfältig ausgeführt und überprüft. Der Hersteller kann dennoch keine Haftung für die Verwendung übernehmen. Dasselbe gilt für jede Person oder Gesellschaft, die bei der Schaffung oder Produktion von diesem Handbuch miteinbezogen ist.



- Es dürfen keine Kabel mit Verschleiß- oder Alterungsspuren verwendet werden.
- Unter keinen Umständen dürfen Veränderungen oder Anschlüsse vorgenommen werden, die in diesem Handbuch nicht genannt sind. Der Gebrauch ungeeigneten Geräts kann die Sicherheit des Personals und der Anlage schwer gefährden.
- Es dürfen nur Original-Ersatzteile verwendet werden. Nicht originale Ersatzteile können zu Bränden, elektrischen Entladungen oder anderen Gefahren führen.
- Vor der Installation ist anhand des Kennzeichnungsschildes nachzuprüfen, ob das gelieferte Material die gewünschten Eigenschaften (4.3 Kennzeichnung des Produkts, Seite 11).
- Die Einrichtung ist für die dauerhafte Befestigung und Verbindung in ein Gebäude oder eine andere geeignete Struktur konzipiert. Vor jeder Operation muss die Einrichtung dauerhaft befestigt und verbunden werden.
- Das Produkt kann nur für entsprechend zertifizierte Kameras benutzt werden.
- Der max. Nennwert der Kamera muss 12Vdc, max. 18W (57Vdc, max. 13W bei den Versionen PoE) betragen.
- Die elektrische Anlage muss mit einem Netztrennschalter versehen sein, der im Bedarfsfall sofort erkannt und gebraucht werden kann.
- Der im Gerät verfügbare Erdungsanschluss muss ständig geerdet sein.
- Die Installationskategorie (auch als Überspannungskategorie bezeichnet) gibt den Pegel der Netzspannungsstöße an, denen die Ausrüstung ausgesetzt ist. Die Kategorie hängt vom Installationsort der Ausrüstung und von den externen Schutzeinrichtungen gegen Spannungsstöße ab. Ausrüstungen in einer gewerblichen Umgebung, die direkt mit den Hauptzweigen der Versorgungsanlage verbunden sind, gehören zur Installationskategorie III. In diesem Fall ist eine Abstufung auf Installationskategorie II erforderlich. Alternativ können UL listed Überspannungsschutzvorrichtungen (SPD) von Fase zu Nullleiter und von Nullleiter zur Erde geführt werden. UL-gelistete Überspannungsschutzvorrichtungen sind für die wiederholte Begrenzung kurzzeitig auftretender Spannungsspitzen und für die folgenden nominellen Betriebsbedingungen auszulegen: Typ 2 (Dauerhaft angeschlossene Überspannungsschutzvorrichtungen für die Installation auf der Ladungsseite der Hilfseinrichtung); Nennentladestrom (In) 20kA min. Benutzt werden können beispielsweise: FERRAZ SHAWMUT, STT2240SPG-CN, STT2BL240SPG-CN, spezifiziert für 120Vac/240Vac, (In=20kA). Der maximale Abstand zwischen dem Einbau und der Abkürzung ist 5m.
- Das Gerät muss korrekt am Erdungskreis angeschlossen sein.
- Vorgeschrieben ist der Anschluss an eine Versorgungsquelle, deren Eigenschaften den Angaben auf dem Kennzeichnungsschild entsprechen. Vor der Installation ist zu prüfen, ob die Stromleitung sachgerecht abgetrennt ist. Die Versorgungsspannung darf die Toleranzen ( $\pm 10\%$ ) nicht überschreiten.

## 4 Identifizierung

### 4.1 Beschreibung und Bezeichnung des Produktes

ULISSE2 ist eine PTZ Full IP-Einheit für den Außenbereich. Verwendet wird sie für die Steuerung und Kontrolle sämtlicher IP-Kameras und IP-Wärmebildkameras von Drittanbietern (ONVIF-S oder mit seriellem Anschluss RS485). Zwecks Einrichtung und Diagnose besteht direkter Browserzugang zur Kameraschnittstelle.

Seine Konnektivität „Full IP“ ermöglicht ULISSE2 über das Protokoll ONVIF-S unter Nutzung der marktweit gängigsten VMS über das Netz die Kontrolle sämtlicher Funktionen der Kamera und des Schwenk-Neige-Kopfes, einschließlich Scheibenwischer, Scheibenwaschpumpe, Preset, Einschalten Scheinwerfer und Einrichten.

Durch den Einsatz hochmoderner Konstruktionsverfahren konnten einige Leistungsmerkmale des neuen PTZ weiter verbessert werden, etwa der Temperaturbereich von -40°C bis +65°C. Die ständig arbeitenden Funktionen der Wärmeregulierung und Beschlagverhinderung mit Zwangsluft verhindern die Bildung von Kondensat und garantieren ideale Temperaturen für den Kamerabetrieb.

Die LED-Scheinwerfer lassen sich auch später noch auf einfache Weise ohne erforderliche zusätzliche Spannungsquellen unabhängig von der Versorgungsspannung der Einheit in den Schwenk-Neige-Kopf integrieren. Zudem kann der zweite Scheinwerfer abhängig von bestimmten Parametern des Zoomobjektivs oder der Preset-Positionen aktiviert werden. Dies ist auch manuell möglich, um bei Erfassung eines nahegelegenen Subjektes einen Lichtpunkt zu vermeiden oder um einen Weißlichtstrahler kontrollieren zu können.

Das PTZ ist mit Scheibenwischer ausgestattet, der mithilfe der zusätzlich erhältlichen Scheibenwaschanlage das Kamerafenster stets sauber hält und dadurch unter allen Witterungsbedingungen beste Sicht gewährleistet.

Der aussagekräftige automatische Selbsttest ermittelt zügig den Systemstatus. Alle erfassten Ereignisse werden im internen Log gespeichert. Mit der Micro-SD-Karte (nicht inkl.) lässt sich das System vollständig sichern.

Da die Steckverbinder leicht zugänglich sind, gehen die Verkabelung und Diagnostik bequem und zügig vonstatten, ohne das Produkt auseinandernehmen zu müssen. ULISSE2 wird mit einem einzigen Sechskantschlüssel installiert, der im Lieferumfang enthalten ist.

### 4.2 Produktübersicht

Das Produkt besteht aus 4 Teilen:

1. Oberer Teil des Gehäuses.
2. Kamera und motorisierte Optik von Drittanbietern (nicht enthalten)/Kamera mit eingebauter Optik von Drittanbietern (nicht enthalten)/Kamera-Modul sichtbar (Zubehör).
3. Korpus.
4. Basis.

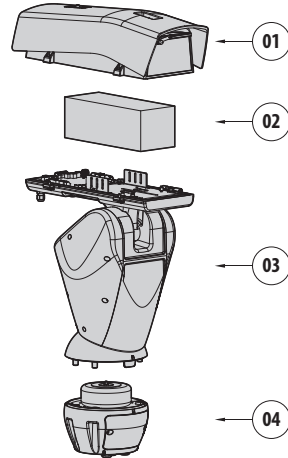
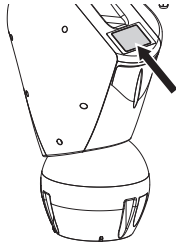


Abb. 1

## 4.3 Kennzeichnung des Produkts



**Auf den Schwenk-Neige-Köpfen befindet sich ein Schildchen, das der CE-Kennzeichnung entspricht.**



**Abb. 2**

Das Schildchen nennt:

- Identifizierungscode des Modells (Strichcode Extended 3/9).
- Versorgungsspannung (Volt).
- Frequenz (Hertz).
- Stromaufnahme (Ampere).
- Schutzart (IP).
- Seriennummer.

### 4.3.1 Prüfung der Kennzeichnung

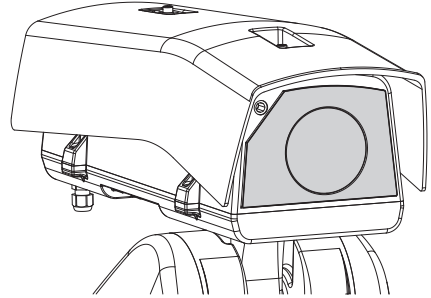
Vor Beginn der Installationsarbeiten ist zu kontrollieren, ob das gelieferte Material den jeweiligen Anforderungen entspricht. Zu erkennen ist dies anhand der Kennzeichnungsschilder.

Unter keinen Umständen dürfen Veränderungen oder Anschlüsse vorgenommen werden, die in diesem Handbuch nicht genannt sind. Der Gebrauch ungeeigneten Geräts kann die Sicherheit des Personals und der Anlage schwer gefährden.

## 5 Versionen

### 5.1 Fensterscheibe aus Germanium

Die Version ist mit Fensterscheibe aus Germanium ausgestattet, die eigens für Anlagen mit Wärmebildkameras ausgelegt ist.



**Abb. 3**

## 6 Vorbereitung des Produktes auf den Gebrauch



**Jede vom Hersteller nicht ausdrücklich genehmigte Veränderung führt zum Verfall der Gewährleistungsrechte.**



**Die Einheit darf nicht auseinandergebaut werden, und es dürfen keine Veränderungen daran vorgenommen werden. Ausnahmen sind nur die Montage- und Wartungsarbeiten, die laut dieser Anleitung vorgesehen sind.**

### 6.1 Sicherheitsvorkehrungen vor dem Gebrauch



**Das Gerät umfasst bewegliche Teile. Stellen Sie sicher, dass die Einheit an einer Stelle positioniert wird, die unter normalen Betriebsbedingungen nicht zugänglich ist. Bringen Sie das im Lieferumfang des Gerätes enthaltene Schildchen in der Nähe des Objektes an gut sichtbarer Stelle an.**



Abb. 4

### 6.2 Entfernen der Verpackung

Bei der Lieferung des Produktes ist zu prüfen, ob die Verpackung intakt ist oder offensichtliche Anzeichen von Stürzen oder Abrieb aufweist.

Bei offensichtlichen Schadensspuren an der Verpackung muss umgehend der Lieferant verständigt werden.

Im Falle der Rückgabe des nicht korrekt funktionierenden Produktes empfiehlt sich die Verwendung der Originalverpackung für den Transport.

Bewahren Sie die Verpackung auf für den Fall, dass das Produkt zur Reparatur eingeschendet werden muss.

### 6.3 Inhalt

Prüfen Sie, ob der Inhalt mit der nachstehenden Materialliste übereinstimmt:

- Positionierungseinheit
- Basis für Netzstromversorgung
- Zubehör Packung:
  - Sechskantschlüssel
  - Abstandsstücke
  - Schildchen
  - Kabelbinder
  - Silikonummantelung
  - Reduzierdichtungen für Kabelverschraubungen
  - Bedienungsanleitung
  - Schrauben
- Sonnenschutzdach

### 6.4 Sichere Entsorgung der Verpackungsmaterialien

Die Verpackungsmaterialien sind vollständig wiederverwertbar. Es ist Sache des Installationstechnikers, sie getrennt, auf jeden Fall aber nach den geltenden Vorschriften des Anwendungslandes zu entsorgen.

## 6.5 Auf die Installation vorbereitende Tätigkeiten

### 6.5.1 Befestigung der Halterung

Verschiedene Halterungen sind (11 Zubehör, Seite 50). Das geeignetste für die Installation auswählen und alle Angaben aus diesem Kapitel befolgen.

**! Besondere Aufmerksamkeit verlangen die Befestigungssysteme des Gerätes. Das Befestigungssystem muss in jedem Fall in der Lage sein, mindestens das 4 fache Gewicht der gesamten Apparatur mitsamt S-N-Kopf, Linsen und Kamera zu tragen.**

**! Die Einrichtung muss in senkrechter Lage montiert werden. Jede andere Stellung könnte die Leistungen des Gerätes beeinträchtigen.**

**! Den Schwenk-Neige-Kopf nicht umgekehrt montieren.**

### 6.5.2 Kabelführung

**! Die Verbindungskabel dürfen von außen nicht zugänglich sein. Die Kabel müssen gegen Lösen durch Abziehen sachgerecht am Träger fixiert werden, damit es verhindert wird, dass es durch das hohe Gewicht unbeabsichtigt abgezogen wird.**

**! Die verwendeten Kabel müssen der Anlagenart angemessen sein.**

Die Kabel so in die Halterung einführen, dass sie ungefähr 50cm hervorschauen.

Für weitere Infos bitte entsprechendes Kapitel beachten (8.2 Anschluss des Schwenk-Neige-Kopfs an die Anlage, Seite 23).

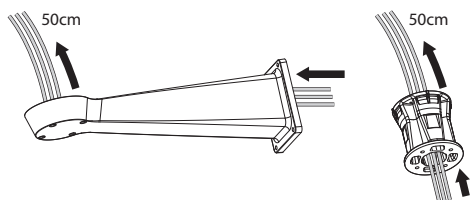


Abb. 5

### 6.5.3 Vorkonfiguration der Kamera von Drittanbietern

**i Das System kann mit einem VMS (Video Management System) auf zwei verschiedene Arten verbunden werden: (8.3.1 Beschreibung des Modus Master Selection, Seite 25). Soll der Modus PTZ Master verwendet werden, dann muss die Kamera vor der Installation im Gehäuse konfiguriert werden.**

Die Kamera muss vorkonfiguriert werden, um eine IP-Adresse über DHCP erhalten zu können.

Die Kamera muss vorkonfiguriert werden, um mit dem NTP-Server über DHCP kommunizieren zu können. Wenn die NTP-Konfiguration über DHCP der Kamera nicht möglich ist, dann die folgende statische Adresse des NTP-Servers konfigurieren: 192.0.0.1.

Die Kamera muss vorkonfiguriert sein, um mit dem Schwenk-Neige-Kopf über das Protokoll ONVIF Profil S kommunizieren zu können. Mit Bedacht den Login und das Passwort wählen. Sie werden verwendet, um über Internet auf die Konfiguration zuzugreifen und um das Gerät mit dem VMS zu verbinden.

Das Passwort kann sich nur aus folgenden Zeichen zusammensetzen (a-z, A-Z, 0-9, ,\_-+@%/(-)^\*[]{}#;~).

Einige Kameras könnten den oben angegebenen Zeichensatz nicht unterstützen.

Bei einer Kamera mit eingebauter Optik müssen alle Presets von der Kamera vor der Installation in den Schwenk-Neige-Kopf entfernt werden.

## 7 Zusammenbau

### 7.1 Eigenschaften der Kameras

- Nur Kameras mit Ethernet-Kommunikationsanschluss vom Typ 100 baseTx können montiert werden.
- Nur solche Kameras können montiert werden, die über Klemme mit Strom versorgt werden. Der Schwenk-Neige-Kopf ist nämlich nicht in der Lage, direkt über das Ethernetkabel Strom bereitzustellen (Power over Ethernet).
- Die Versorgungsspannung der Kamera muss 12Vdc betragen.
- Die maximale Stromaufnahme der Kamera muss unter dem nachfolgenden Wert liegen: 1.5A.

### 7.2 Befestigung des Dachs

Das Sonnenschutzdach am Gehäuse befestigen. Hierzu die Schrauben und Unterlegscheiben verwenden, die auf den oberen Gehäusekorpus geschraubt wurden.

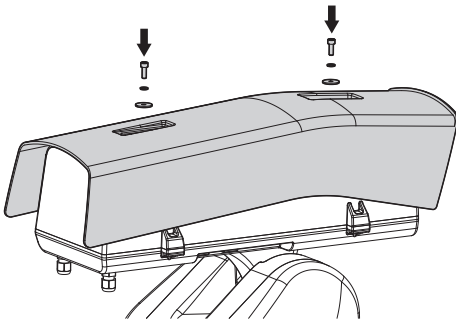


Abb. 6

Darauf achten, das Sonnenschutzdach soweit wie möglich vorne zur Vermeidung von Sonnenreflexionen und Wassertropfen zu befestigen.

### 7.3 Montage Kamera und motorisch bewegte Optiken

Die Kamera und die zugehörigen Objektive sind vom Kunden selbst zu montieren.

#### 7.3.1 Öffnung des Schutzgehäuse

Die beiden an der Flanke befindlichen Schrauben abdrehen, nun die Haube und den oberen Korpus um die Achse der Öffnungsscharniere drehen.

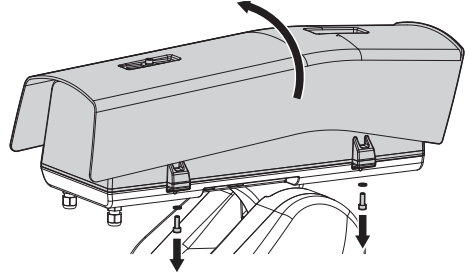


Abb. 7



**GEFAHR!**

**Gefahr mechanischer Natur.**

**Quetsch- oder Scherkantengefahr.**

### 7.3.2 Installation der Kamera

Die Kamera und die Optiken müssen im Gehäuseinneren unter Verwendung des geeigneten Schlittens installiert werden (die im Lieferumfang enthaltenen Schrauben und Unterlegscheiben verwenden). Der Schlitten setzt sich aus zwei Teilen zusammen: der Hauptschlitten (01) und der Kameraschlitten (02).

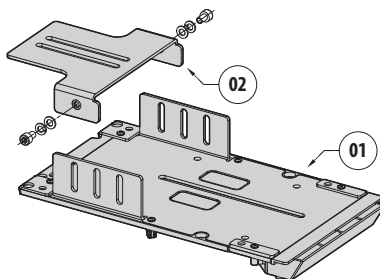


Abb. 8

Die Optik an der Kamera montieren. Ist die Optik vom Typ C und die Kamera vom Typ CS, muss ein Abstandsstück verwendet werden.

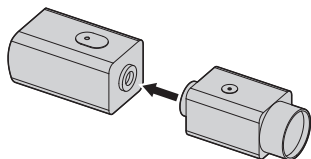


Abb. 9

Die 1/4-Zoll-Schraube der Kamera teilweise festziehen, um die Einstellung des Kameraschlittens zu ermöglichen. Der Kameraschlitten kann in verschiedenen Positionen montiert werden. In Abhängigkeit zur Position des Kameraschlittens eine der beiden Langlöcher für die Kamerabefestigung verwenden. Für einen optimalen Sitz die flachen und gezahnten Unterlegscheiben verwenden.

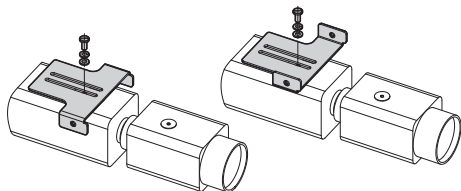


Abb. 10

Je nach Form und Dimension der Optik kann die Notwendigkeit zur Verwendung eines Abstandsstücks bestehen. Das Loch des Abstandsstücks mit dem Loch der Optik angleichen.

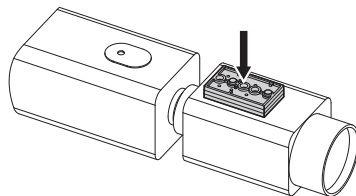


Abb. 11

Die Schrauben zum Entfernen des Hauptschlittens vom Gehäusekorpus ausdrehen.

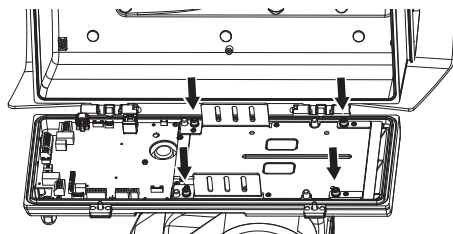


Abb. 12

Am Hauptschlitten die Kamera, die Optik und den Kameraschlitten, die vorab montiert wurden, positionieren. Die 1/4-Zoll-Schraube der Optik teilweise festziehen, um die Einstellung am Hauptschlitten zu ermöglichen. Für einen optimalen Sitz die flachen und gezahnten Unterlegscheiben verwenden.

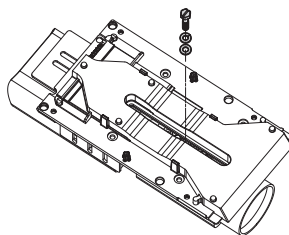


Abb. 13

Den Optikrand mit dem Schlittenrand anpassen.

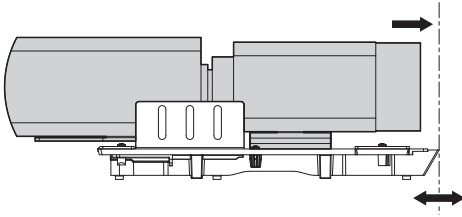


Abb. 14

Nach Anpassen der Ränder (ohne den Kamera- und Optikblock zu bewegen) den Kameraschlitten in Übereinstimmung mit einer der 3 auf dem Hauptschlitten vorhandenen Langlöcher gleiten lassen.

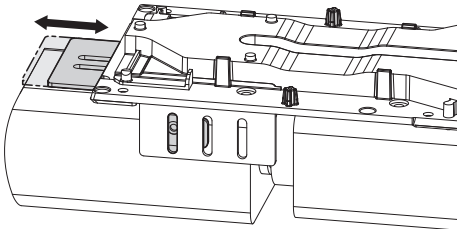


Abb. 15

Nach Erreichen der optimalen Position den Hauptschlitten (dabei darauf achten, die Position beizubehalten) entfernen und die 1/4"-Schraube festziehen.

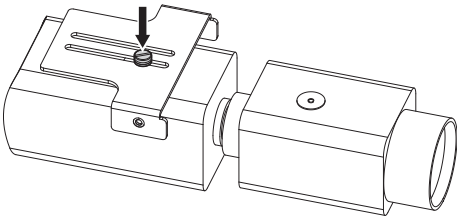


Abb. 16

Den Hauptschlitten erneut auf dem Kamera- / Optik- / Schlittenblock ausrichten. Das Loch des Kameraschlittens mit dem vorher gewählten (01) Langloch des Hauptschlittens zusammenfallen lassen. Die Schrauben des Kameraschlittens (Schrauben und Unterlegscheiben im Lieferumfang enthalten) teilweise festziehen. Für einen optimalen Sitz die flachen und gezahnten Unterlegscheiben verwenden. Die 1/4-Zoll-Schraube der Optik festziehen (02).

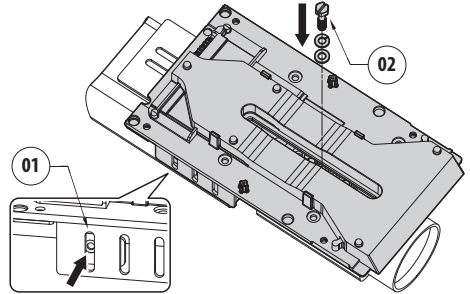


Abb. 17

Die Schrauben des Kameraschlittens vollständig anziehen.

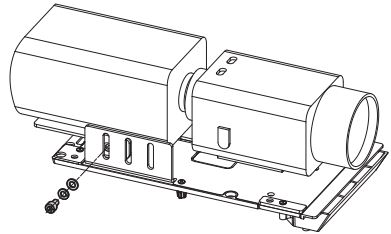


Abb. 18



**Auf die Befestigung achten.  
Anzugsdrehmoment: 2.1Nm.**



Die Kamera im Gehäuse ausrichten und mit den Schrauben und Unterlegscheiben befestigen.

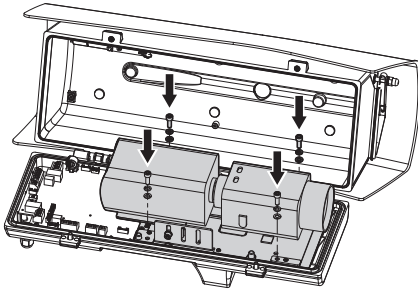


Abb. 19

**!** Auf die Befestigung achten.  
Anzugsdrehmoment: 2.1Nm.

## 7.4 Anschluss der Kamera und der motorisch bewegten Optik

**!** Bevor die Anschlüsse vorgenommen werden, ist zu prüfen, ob die von der Platine bereitgestellten Spannungswerte innerhalb der für das Gerät geltenden Grenzwerte liegen.

Die elektronische Platine ist zur Steuerung von Kameras mit solchen motorgeführten Optiken ausgelegt, welche Potentiometer für die Positionssteuerung besitzen oder nicht.

## 7.4.1 Beschreibung der Karte Gehäuse

| BESCHREIBUNG DER KARTE |  |
|------------------------|--|
| Komponente             | Funktion   |
| J4                     | Nicht verwendet.   |
| J5                     | RS-485 (Optik)   |
| J6                     | Erfassung der Potenziometer der Optik  |
| J7                     | Spannungsversorgung der Optikmotoren, One Push AF                                    |
| J8                     | Spannungsversorgung Optikmotoren, One Push AF, Erfassung der Potenziometer der Optik |
| J9                     | Visible cut filter   |
| J10                    | Versorgung und Steuerung (eingebaute Kamera)   |
| J11                    | Versorgung und Steuerung (Scheinwerfer Slave)  |
| J12                    | Diagnostik der Steuerkarte   |
| J13                    | RS-485 (Kamera)  |
| J14                    | Kameraversorgung, Alarmeingang der Kamera, Alarmausgang der Kamera                   |
| J15                    | Versorgung und Steuerung (Scheinwerfer Master)                                       |
| J16                    | Beheizte Scheibe   |
| J17                    | Scheibenwischer  |
| J18                    | Ethernet   |
| DIP2                   | Spannung der Optiken   |
| DIP3                   | Gehäusekonfiguration   |
| LD7                    | Status der Innenstromversorgung (5V)   |
| LD8                    | Status der Innenstromversorgung (3,3V)   |
| LD9                    | Firmwarestatus   |
| LD10                   | Status der Spannungsversorgung der Kamera  |
| LD11                   | Status der Innenstromversorgung (12V)  |
| LD12                   | Status der PoE-Stromversorgung   |

Tab. 1

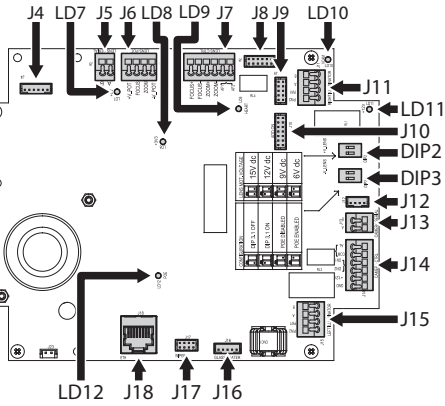


Abb. 20

## 7.4.2 Max. Nennwerte der Kamera und der motorisierten Optik

Die max. Nennwerte sind in folgender Tabelle angegeben.

| MAX. NENNWERTE DER KAMERA UND DER MOTORISIERTEN OPTIK |                        |   |
|---|------------------------|---|
| Spannung  | Strom                  | Beschreibung                                    |
| +12V  | 1500mA max             | Kameraversorgung                                |
| +5V   | 15mA max               | Speisung Potentiometer zur Regelung der Optiken |
| von 6Vdc bis 15Vdc (einstellbar)                      | 200mA max (Focus+Zoom) | Speisung Antriebsmotoren der Optiken            |

Tab. 2

## 7.4.3 Anschluss der Netzwerkkamera

Die Spannungsversorgung, die Datenleitung und die Alarmer (fakultativ) der Kamera wie in der Abbildung gezeigt anschließen. Sollte der Schwenk-Neige-Kopf mit dem Modus Camera Master gesteuert werden, die serielle Kontrollleitung RS-485 anschließen (8.3 Auswahl des Betriebsmodus der Einheit, Seite 25).

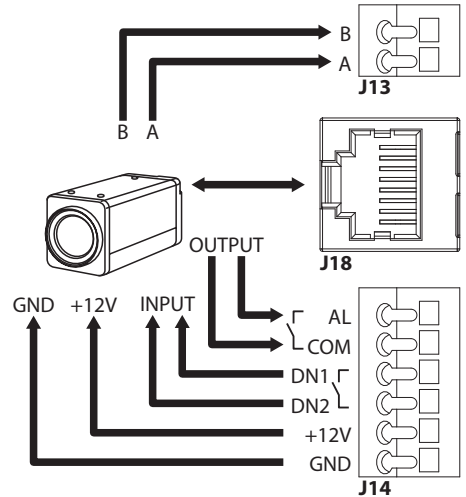


Abb. 21

Leuchtet die LD10-LED, befindet sich auf der Spannungsversorgungs-Klemme der Kamera eine Spannung von 12 Vdc.

Das System erfasst die Umgebungstemperatur während des Einschaltens. Das System verhindert ein Einschalten der Kamera, solange die Mindestbetriebstemperatur nicht erreicht wurde (Cold Start).

Bei eingeschalteten Scheinwerfern werden die Steckverbinder DN1 und DN2 zur Beanspruchung des Nachtmodus der Kamera verwendet.

Die Steckverbinder AL und COM werden im Modus Camera Master zum Übertragen des Alarmstatus der Kamera zum Relais der Basis des Schwenk-Neige-Kopfs verwendet. (RL1A, RL1B, 8.2.3.2 Anschluss der Alarmergänge, der Dämmerungsschalter und der Relais, Seite 24).

**i** Das überschüssige Kabel aufwickeln, um Interferenzen mit dem Betrieb des Scheibenwischers zu verhindern (bei den Versionen, die damit ausgestattet sind).

## 7.4.4 Verbindung der spannungsgeregelten motorisierten Optiken

Sämtliche Konfigurationsoptionen müssen im entsprechenden Kapitel eingestellt werden (10.3.2 Seite Hardware-Konfiguration, Seite 33).

### 7.4.4.1 Verbindung der Optiken mit Motoren mit umgekehrter Polarität

Bei Optiken mit Motoren mit umgekehrter Polarität folgenden Anschlussplan verwenden.

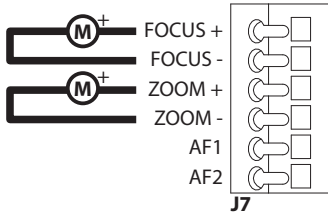


Abb. 22

### 7.4.4.2 Verbindung der Optiken mit Motoren mit gemeinsamen Draht

Bei Optiken mit Motoren mit gemeinsamen Draht folgenden Anschlussplan verwenden.

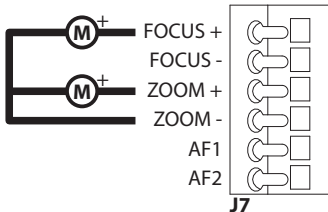


Abb. 23

### 7.4.4.3 Einstellung der Versorgungsspannung der Motoren der Optiken

Die Spannungsversorgung der Optiken auswählen, bevor der Schwenk-Neige-Kopf mit Strom gespeist wird. Dabei den DIP-Schalter für die Spannung der Optiken verwenden (DIP2, 7.4.1 Beschreibung der Karte Gehäuse, Seite 17).

| EINSTELLUNG DER VERSORGUNGSSPANNUNG DER MOTOREN DER OPTIKEN |     |          |
|---|-----|----------|
| SW1   | SW2 | Spannung |
| OFF   | OFF | 15Vdc    |
| ON  | OFF | 12Vdc    |
| OFF   | ON  | 9Vdc     |
| ON  | ON  | 6Vdc     |

Tab. 3

### 7.4.4.4 Anschluss der Potenziometer

Die Verbindungen so durchführen, wie in der Abbildung dargestellt.

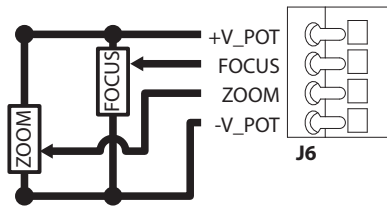


Abb. 24

### 7.4.4.5 One Push Autofocus

Einige motorisierte Optiktypen können den Autofokus steuern.

Die Verbindungen so durchführen, wie in der Abbildung dargestellt.

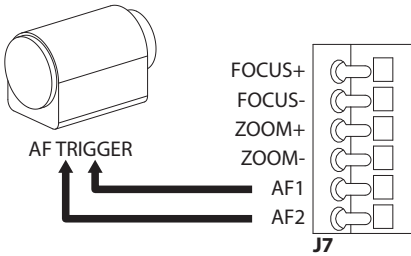


Abb. 25

### 7.4.5 Verbindung der über eine serielle Leitung gesteuerten motorisierten Optiken

Einige motorisierte Optiktypen können über eine serielle Leitung RS-485 gesteuert werden.

Die Verbindungen so durchführen, wie in der Abbildung dargestellt.

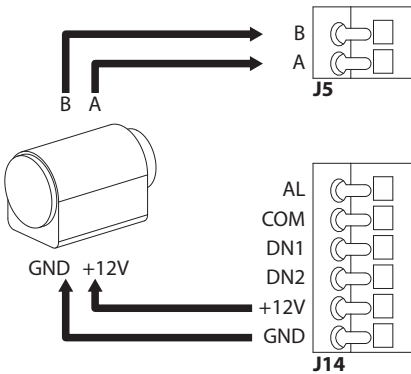


Abb. 26

### 7.4.6 Installation des Kameramoduls sichtbar (Sonderausstattung)

Den Schlitten im Gehäuse demontieren und am Kameramodul befestigen. Die im Lieferumfang enthaltenen Schrauben und Unterlegscheiben verwenden.

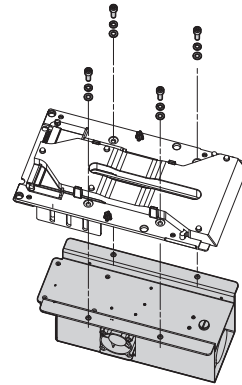


Abb. 27

Den Schlitten im Gehäuse ausrichten und mit den vorher abmontierten Schrauben befestigen.

Auf der Gehäuseplatte befinden sich zwei Steckverbinder, die die Stromversorgung und die Kommunikation mit der Kamera ermöglichen (J10, J18, 7.4.1 Beschreibung der Karte Gehäuse, Seite 17). Die Kamera an die 2 im Lieferumfang enthaltenen Kabel anschließen.

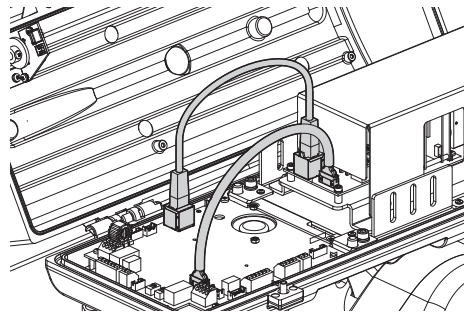


Abb. 28

Den Kameratyp konfigurieren (CAMHD30X, 10.3.2 Seite Hardware-Konfiguration, Seite 33).

### 7.4.7 Installation des oberen Gehäusekorpus mit beheizter Eisschutzscheibe und Scheibenwischer (Sonderausstattung)

Das Versorgungskabel des Scheibenwischers trennen. Durch Ausdrehen der Schrauben den oberen Gehäusekorpus abmontieren. Den oberen Gehäuseteil leicht drehen, um das Entfernen der Scharnierschrauben zu vereinfachen.

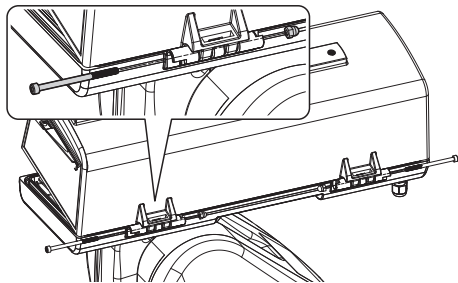


Abb. 29

Den neuen oberen Korpus montieren. Hierzu die vorher entfernten Schrauben verwenden.

**! Auf die Befestigung achten.**  
**Anzugsdrehmoment: 1.2Nm.**

Auf der Gehäuseplatte befinden sich zwei Steckverbinder, die die Stromversorgung der beheizten Scheibe und des Scheibenwischers ermöglichen (J16, J17, 7.4.1 Beschreibung der Karte Gehäuse, Seite 17). Die 2 Kabel des oberen Gehäusekorpus an die 2 Steckverbinder der Gehäuseplatte anschließen.

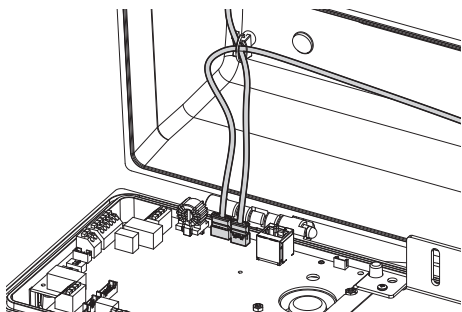


Abb. 30

Die Steuerung der beheizten Scheibe aktivieren (10.3.2 Seite Hardware-Konfiguration, Seite 33).

### 7.4.8 Schließen des Gehäuses

Nach Beendigung der Installation und der Verkabelung das Produkt wieder schließen.

Das Vorhandensein und Intaktsein der Dichtung des Gehäuses überprüfen.

**! Auf die Befestigung achten.**  
**Anzugsdrehmoment: 6Nm.**

## 8 Installation

**! Unter keinen Umständen dürfen Veränderungen oder Anschlüsse vorgenommen werden, die in diesem Handbuch nicht genannt sind. Die Missachtung der Angaben, die das Handbuch zu den Anschlüssen macht, kann die Sicherheit von Personen und die Sicherheit der Anlage stark gefährden.**

**! Die Vorverkabelungen des Produktes dürfen nicht verändert werden. Die Missachtung dieses Verbotes kann die Sicherheit des Personals und der Anlage stark gefährden und führt sie zum Verlust der Gewährleistungsrechte.**

### 8.1 Befestigung der Basis an der Halterung

Die Basis der Einheit entfernen.

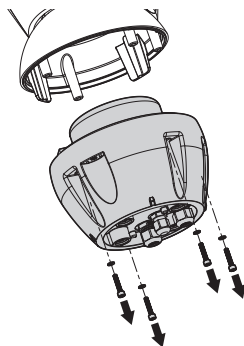


Abb. 31

Das Konfigurierungsklappchen wird durch Entfernen der Schrauben geöffnet, wie in der Abbildung gezeigt.

Die Kabel in den Kabelschellen einführen, während die Basis etwa 20cm von der Halterung entfernt gehalten wird.

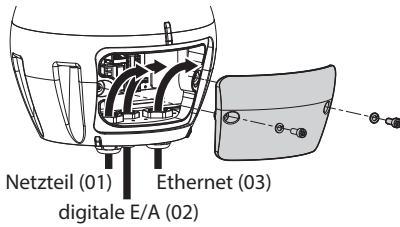


Abb. 32

Versorgungskabel (01) und Ethernet-Netzwerkkabel (03) mit einem Durchmesser von 5 mm bis 13 mm verwenden. Ist das Ethernet-Netzwerkkabel bereits mit einem Steckverbinder ausgestattet, dann muss die im Lieferumfang enthaltene entsprechende Dichtung verwendet werden.

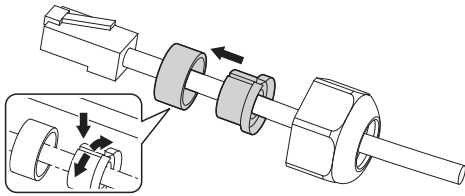


Abb. 33

**Auf die Befestigung achten.**  
Anzugsdrehmoment: 2.7Nm.

Für die digitalen E/A (02) ein Kabel mit einem Durchmesser von 5 mm bis 10 mm verwenden (bei einem Durchmesser von 3 mm bis 7 mm die geeignete Dichtung verwenden).

**Auf die Befestigung achten.**  
Anzugsdrehmoment: 2Nm.

Nach der Positionierung der Dichtung (01), die Basis (02) mit den Schrauben (04), den Zahnscheiben (05) und den Ringen für Schrauben (06) an der Halterung (03) befestigen.

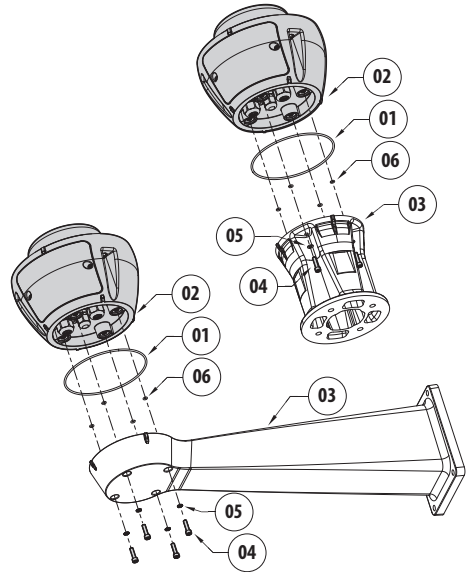


Abb. 34

**Achtung!** Die im Lieferumfang enthaltenen Schrauben und Unterlegscheiben mit der Halterung verwenden.

**Achtung!** Auf das Loch der Schrauben ein Gewindesicherungsmittel auftragen (Loctite 243®).

**Achtung!** Auf die Befestigung achten.  
Anzugsdrehmoment: 6Nm.

## 8.2 Anschluss des Schwenk-Neige-Kopfs an die Anlage

### 8.2.1 Beschreibung der Karte Anschlüsse

| BESCHREIBUNG DER KARTE |   |
|------------------------|---|
| Komponenten            | Funktion  |
| J1                     | Stromversorgung   |
| J2                     | Ethernet  |
| J3                     | digitale E/A  |
| DIP1                   | Wahl des Modus Master, Wiederherstellung der Werkseinstellungen                 |
| F1                     | Schmelzsicherung der Versorgungsleitung   |
| F2                     | Schmelzsicherung der Spannungsversorgung der Elektronik des Schwenk-Neige-Kopfs |
| F3                     | Schmelzsicherung der Spannungsversorgung der Scheinwerfer                       |
| LD1, LD3               | Status der Ethernet-Leitung (Anschluss und Betrieb)                             |
| LD2                    | Firmwarestatus  |
| LD4, LD5               | Status der Kommunikationsleitung mit der Kamera (Anschluss und Betrieb)         |
| LD6                    | Status der Spannungsversorgung  |

Tab. 4

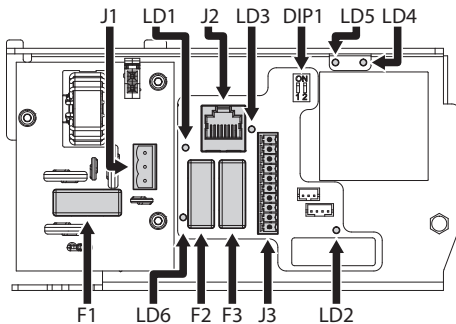


Abb. 35

### 8.2.2 Anschluss der Stromversorgung

Je nach Version kann die Vorrichtung mit unterschiedlichen Versorgungsspannungen geliefert werden. Der Wert der Versorgungsspannung ist auf dem Kenndatenschildchen des Produktes angegeben. (4.3 Kennzeichnung des Produktes, Seite 11).



**Die elektrischen Anschlüsse nur durchführen, wenn die Stromversorgung abgetrennt und die Trennvorrichtung offen ist.**



**Im Zuge der Installation ist zu prüfen, ob die Merkmale der von der Anlage bereitgestellten Versorgung mit den erforderlichen Merkmalen der Einrichtung übereinstimmen.**



**Prüfen Sie, ob die Quelle und das Versorgungskabel sachgerecht bemessen sind.**



**Das Erdungskabel muss um etwa 10mm länger sein, als die anderen beiden Kabel, um das ungewollte Lösen durch Ziehen des Kabels zu verhindern.**

Die Kabel zuschneiden und die unten beschriebenen Anschlüsse vornehmen. Die Versorgungsleitung am Klemmen anschließen.

Ferner muss das Versorgungskabel von einer Silikonummantelung (01) überzogen sein, die im Lieferumfang enthalten ist. Die Silikonummantelung soll mit dem zugehörigen Binder fixiert werden (02).

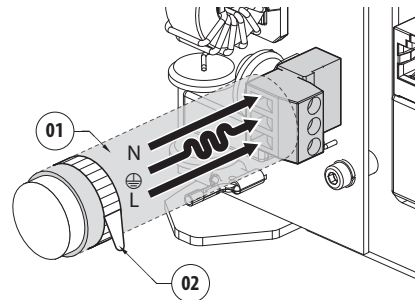


Abb. 36

Die Anschlüsse der Beschreibung in der Tabelle entsprechend ausführen.

| ANSCHLUSS DER STROMVERSORGUNG |                |
|-------------------------------|----------------|
| Farbe                         | Klemme         |
| <b>Netzteil 230Vac</b>        |                |
| Blau                          | N (Nullleiter) |
| Gelb/Grün                     | ⊕              |
| Braun                         | L (Phase)      |
| <b>Netzteil 120Vac</b>        |                |
| Blau                          | N (Nullleiter) |
| Gelb/Grün                     | ⊕              |
| Braun                         | L (Phase)      |
| <b>Stromversorgung 24Vac</b>  |                |
| Vom Installateur festgelegt.  | N (Nullleiter) |
| Gelb/Grün                     | ⊕              |
| Vom Installateur festgelegt.  | L (Phase)      |

Tab. 5

Der entfernbare Steckverbinder ist im Lieferumfang enthalten.

## 8.2.3 Anschluss der Signalkabel.

**!** Alle Signalkabel mit einem Kabelbinder müssen zusammengefasst werden.

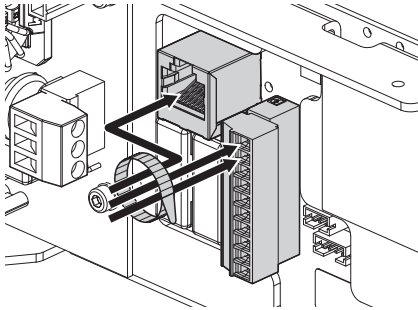


Abb. 37

### 8.2.3.1 Anschluss der Ethernet-Kabel

Empfohlen wird die Verwendung von Ethernetkabeln mit den folgenden Eigenschaften: STP (geschirmt), Kategorie 5E (oder höher).

Das Ethernetkabel mit dem entsprechenden Steckanschluss verbinden. (J2, 8.2.1 Beschreibung der Karte Anschlüsse, Seite 23).

### 8.2.3.2 Anschluss der Alarmeingänge, der Dämmerungsschalter und der Relais

Die max. Kabellänge für jeden Alarm beträgt 200 m. Geschirmte Kabel verwenden.

Das Kabel der digitalen E/A mit dem entsprechenden Steckanschluss verbinden (J3, 8.2.1 Beschreibung der Karte Anschlüsse, Seite 23).

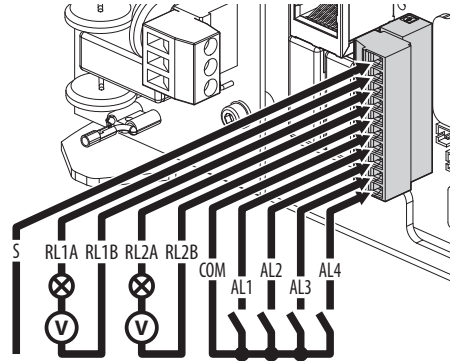


Abb. 38

| ANSCHLUSS DER ALARMEINGÄNGE, DER DÄMMERUNGSSCHALTER UND DER RELAIS |   |
|--|---|
| Klemmen  | Beschreibung  |
| S  | Abschirmgeflecht des geschirmten Kabels   |
| RL1A, RL1B, RL2A, RL2B   | Potentialfreie Ausgangskontakte, die durch Alarm oder Benutzerbefehl ansprechbar sind |
| AL1, AL2, AL3, AL4 e COM   | Sich selbstversorgende Alarmeingänge, bezogen auf gemeinsame Klemme                   |

Tab. 6

Das Gerät kann mit einem externen Dämmerungsschalter ausgestattet werden. Abhängig vom erfassten Licht ermöglicht der Dämmerungsschalter die automatische Aktivierung des Nachtmodus. Den Dämmerungsschalter an den angezeigten Alarmeingang anschließen: AL4. Für die Konfiguration des Nachtmodus auf das entsprechende Kapitel Bezug nehmen (10.3.17 Seite Nachtmodus, Seite 44).

Das Gerät kann mit einer als Zubehör erhältlichen Scheibenwaschanlage ausgestattet werden (11.1 Waschanlage, Seite 50). Das Signalkabel für die Aktivierung der Pumpe am angegebenen Relais anschließen: RL2A, RL2B.



## 8.3 Auswahl des Betriebsmodus der Einheit

In der Basis befindet sich ein DIP-Schalter, mit dem der Modus Master Selection und Factory Default konfiguriert werden können (DIP1, 8.2.1 Beschreibung der Karte Anschlüsse, Seite 23).

| AUSWAHL DES BETRIEBSMODUS DER EINHEIT (DIP1) |      |      |               |
|--|------|------|---------------|
| Funktion                                     | SW 1 | SW 2 | Beschreibung  |
| Master Selection                             | ON   | -    | PTZ Master    |
|  | OFF  | -    | Camera Master |
| Factory Default                              | -    | ON   | Eingeschaltet |
|  | -    | OFF  | Deaktiviert   |

Tab. 7

Für die Konfiguration der Funktion Master Selection auf das entsprechende Kapitel Bezug nehmen (8.3.1 Beschreibung des Modus Master Selection, Seite 25).

Für die Konfiguration der Funktion Factory Default auf das entsprechende Kapitel Bezug nehmen (8.3.2 Beschreibung des Vorgangs Factory Default (werkseitige Anfangseinstellungen), Seite 26).

### 8.3.1 Beschreibung des Modus Master Selection

Das System kann mit einem VMS (Video Management System) auf zwei verschiedene Arten verbunden werden:

**PTZ Master:** Das VMS kommuniziert immer über das Protokoll ONVIF mit der CPU des Schwenk-Neige-Kopfs. Mit dieser Konfiguration wird die Kamera über das Protokoll ONVIF mit der CPU des Schwenk-Neige-Kopfs gesteuert.

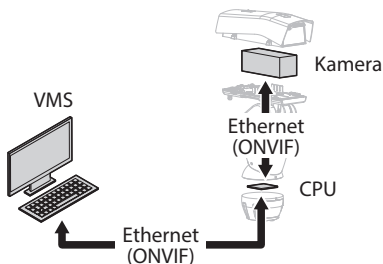


Abb. 39

**Camera Master:** Das VMS kommuniziert immer über den speziellen Driver mit der Kamera. Die Kamera steuert den Schwenk-Neige-Kopf mit dieser Konfiguration über die serielle Leitung RS-485.

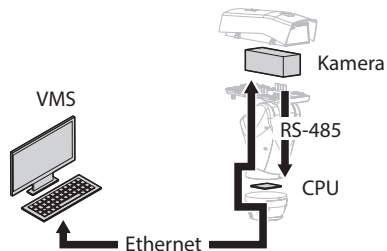


Abb. 40

Der Schwenk-Neige-Kopf kann über die Webseite konfiguriert werden. Die vorgegebenen Zugangsdaten für das Gerät: Username: admin, Kennwort: admin. Mit dieser Konfiguration ist das ONVIF-Protokoll der Ethernet-Schnittstelle des Schwenk-Neige-Kopfs nicht aktiviert.

#### Liste der unterstützten seriellen Steuerbefehle:

- Bewegung PTZ
- Preset speichern, aufrufen und löschen
- AUX-3-ON/OFF: Scheibenwischer ON/OFF
- AUX-4-ON: Waschanlage
- AUX-5-ON/OFF: Tag- / Nachtmodus Modus
- AUX-6-ON/OFF: Relais 1 ON/OFF
- AUX-7-ON/OFF: Relais 2 ON/OFF
- RUN-PATTERN 0: Patrol
- RUN-PATTERN 1: Autopan

### 8.3.2 Beschreibung des Vorgangs Factory Default (werkseitige Anfangseinstellungen)

Wenn das Zugangskennwort nicht mehr auffindbar ist, können die Werkseinstellungen über eine Rückstellungsprozedur wiederhergestellt werden.

- Einheit abschalten.
- Die kleine Klappe der Steckverbinder öffnen.
- Den DIP-Schalter 1 spezifizieren. Schalter 2 auf ON setzen.
- Die kleine Klappe der Steckverbinder schließen.
- Die Einheit mit Strom versorgen.
- 60 Sekunden lang warten.
- Einheit abschalten.
- Die kleine Klappe der Steckverbinder öffnen.
- Schalter 2 auf OFF setzen.
- Die kleine Klappe der Steckverbinder schließen.
- Die Einheit mit Strom versorgen.

Sollte die Kamera von einem Drittanbieter sein, muss der vom Hersteller der Kamera angegebene Vorgang Factory Default (werkseitige Anfangseinstellungen) durchgeführt werden.

### 8.4 Schließen der kleinen Klappe der Steckverbinder

Die kleine Klappe der Steckverbinder erneut ausrichten. Dabei darauf achten, dass während des Schließens keine Kabel gequetscht werden.

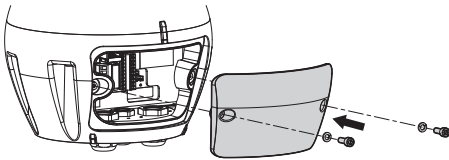


Abb. 41



**Auf die Befestigung achten.  
Anzugsdrehmoment: 6Nm.**

### 8.5 Installation der Speicherkarte

Die Einheit kann mit Micro-SD-Karte ausgestattet werden. Die Speicherkarte kann zur Datensicherung aller Konfigurationen und Systemlogdateien verwendet werden, um die Wartung oder den Austausch bei Fehlfunktionen zu erleichtern. Für weitere Infos bitte entsprechendes Kapitel beachten (10.3.22 Werkzeuge Seite, Seite 49).

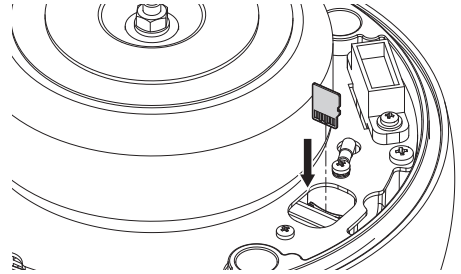


Abb. 42

Das System kann Micro-SD-Karten bis zu 4 GB nutzen.

Getestete Speicherkarten:

- Panasonic RP-SMKC04DE1 (4GB, -40/+85°C)
- Swissbit SFSD2048N1BW1MT-I-ME-111-STD (2GB, -40/+85°C)

## 8.6 Befestigung des oberen Körpers

Den Korpus der Einheit auf der Basis positionieren. Hierzu die Bezugskerben angleichen. In den Löchern der Basis des Korpus der Einheit die Kippschutzsäulen einfügen. Genau darauf achten, die internen Komponenten während der Installation nicht zu beschädigen.

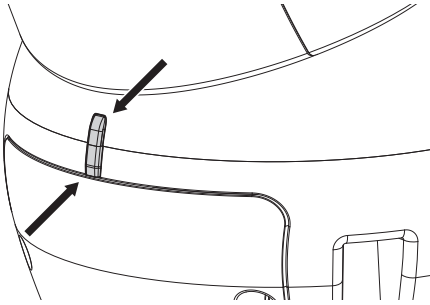


Abb. 43

Den oberen Korpus an der Basis mit den Befestigungsschrauben befestigen. Das Vorhandensein und Intaktsein der Dichtung der Basis überprüfen.

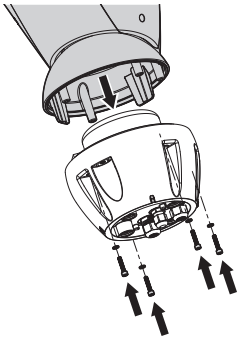


Abb. 44

**!** Auf die Befestigung achten.  
Anzugsdrehmoment: 6Nm.

## 8.7 Montage der Scheinwerfer mit LED (fakultativ)

**!** Aus funktionstechnischen Gründen müssen stets beide Scheinwerfer zusammen montiert werden.

**i** Am Schwenk-Neige-Kopf dürfen nur Scheinwerfer von VIDEOTEC installiert werden.

### 8.7.1 Bügelmontage

Den Bügel (01) im unteren Teil des Gehäuses positionieren, wie in der Abbildung gezeigt. Die Schrauben und die Unterlegescheiben (02) in die Bohrungen (03) einfügen und festziehen.

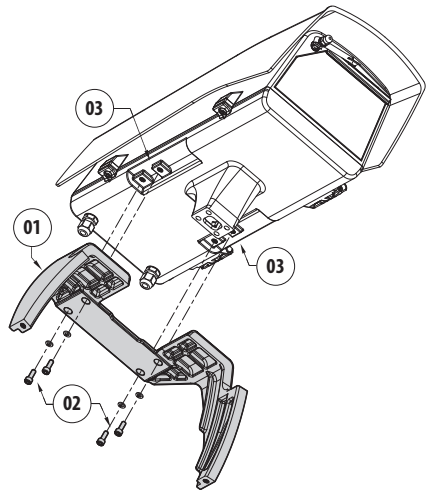


Abb. 45

**!** Auf die Befestigung achten.  
Anzugsdrehmoment: 6Nm.

## 8.7.2 Montage des Scheinwerfers auf den Bügel

Befestigungen des Scheinwerfers (01) an denen des Bügels (02) anbringen.

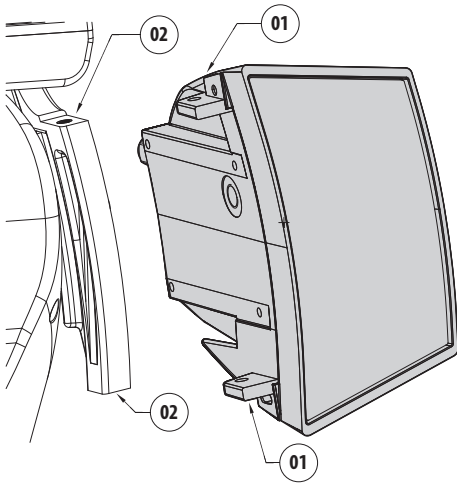


Abb. 46

Die Scheinwerfer an die Kamera anpassen, sodass das Licht so wenig wie möglich streut.

Die im Lieferumfang des Scheinwerfers enthaltenen Schrauben und Unterlegscheiben festziehen.

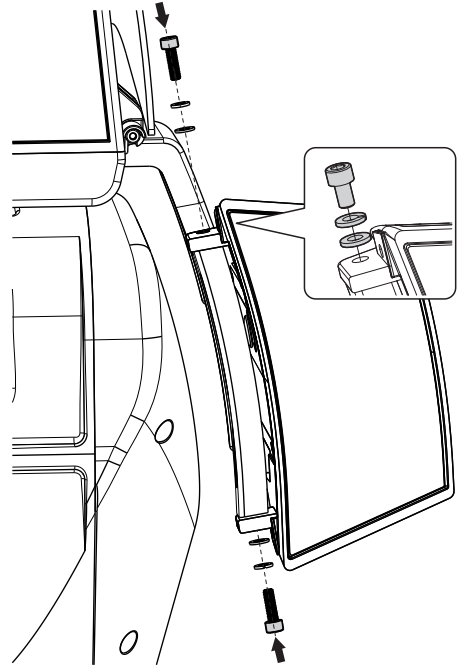


Abb. 47



**Auf die Befestigung achten.**  
**Anzugsdrehmoment: 6Nm.**

## 8.8 Anschluss der LED-Scheinwerfer

Das Gehäuse nach der Erläuterung im zugehörigen Kapitel öffnen (7.3.1 Öffnung des Schutzgehäuse, Seite 14).

Die Versorgungskabel um mindestens 10 cm durch die Kabelschellen stecken. Die Kabelverschraubungen festziehen.

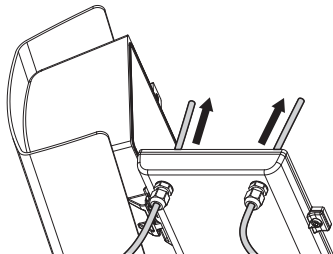


Abb. 48

**⚠️ Damit die Sicherheit und die gute Funktion der Einheit nicht beeinträchtigt wird, keinen Kabelüberschuss lassen.**

**⚠️ Auf die Befestigung achten. Anzugsdrehmoment: 2Nm.**

Auf der Gehäuseplatte sind zwei Steckverbinder vorhanden. Diese ermöglichen die Steuerung der Scheinwerfer (J11, J15, 7.4.1 Beschreibung der Karte Gehäuse, Seite 17).

Die Kabel gemäß der Angaben in der Tabelle anschließen.

| ANSCHLUSS DER LED-SCHEINWERFER |            |                          |            |
|--------------------------------|------------|--------------------------|------------|
| Scheinwerfer Master (J15)      |            | Scheinwerfer Slave (J11) |            |
| Bezug auf die Karte            | Kabelfarbe | Bezug auf die Karte      | Kabelfarbe |
| PW2                            | Weiß       | PW2                      | Weiß       |
| PW1                            | Schwarz    | PW1                      | Schwarz    |
| A                              | Grün       | A                        | Grün       |
| B                              | Rot        | B                        | Rot        |

Tab. 8

Das Gehäuse nach der Erläuterung im zugehörigen Kapitel schließen (7.4.8 Schließen des Gehäuses, Seite 21).

## 8.9 Einstellung und Aktivierungsarten der LED-Scheinwerfer

Nach durchgeführter Einstellung synchronisiert und steuert der Scheinwerfer Master den Scheinwerfer Slave.

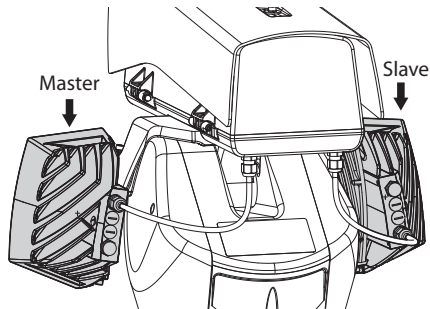


Abb. 49

Der Dämmerungsschalter ermittelt das Licht in der Umgebung und kontrolliert das Ein- und Ausschalten der Scheinwerfer, wenn die Helligkeit das vom Benutzer eingestellte Niveau erreicht hat.

Wenn die LED-Scheinwerfer aktiviert sind, geht die Videokamera mit der entsprechenden Steuerung ONVIF in Nacht-Modus über.

Sollte die Kamera den ONVIF-Befehl für den Übergang in den Nachtmodus nicht durchführen können, kann die Synchronisierung auch durch das entsprechende Relais durchgeführt werden (DN1, DN2, 7.4.3 Anschluss der Netzwerkkamera, Seite 18).

## 8.9.1 Einstellung der Einschaltsschwelle der LED-Scheinwerfer.

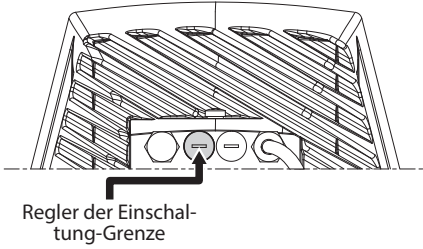


Abb. 50

Der Scheinwerfer besitzt einen integrierten Dämmerungssensor, der eine automatische Ein- und Ausschaltung unter vorher festgelegten Lichtverhältnissen ermöglicht.

Der Dämmerungssensor wird werkseitig auf eine festgelegte Lichtstärke eingestellt, welche für den Großteil der Installationen geeignet ist (etwa 50lx). Zum Ändern der Einsatzgrenze den an der Rückseite des Scheinwerfers angebrachte Deckel entfernen und die Einstellung vornehmen mittels Schraubenzieher.

Durch Drehen des Trimmers im Uhrzeigersinn im Nachtmodus, wird die Umschaltung vorgezogen (auf einen höheren Helligkeitswert). Durch Drehen des Trimmers gegen den Uhrzeigersinn wird die Umschaltung im Nachtmodus verzögert (auf einen niedrigeren Helligkeitswert).

Die geeigneten Lichtverhältnisse für das Einschalten des Scheinwerfers abwarten. Den Trimmer langsam drehen, bis sich die LED an der Trimmerseite einschaltet. Nachdem die Eingriffsschwelle überschritten wurde (LED eingeschaltet), etwas in die entgegengesetzte Richtung drehen.

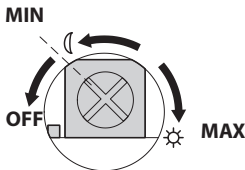


Abb. 51

**⚠ Nach den Einstellungen prüfen, dass der Verschlussdeckel angemessen angezogen ist, um die hermetische Dichtheit des Produkts zu garantieren.**

## 8.9.2 Einstellung der Leistung der LED-Scheinwerfer.

Der Scheinwerfer wird im Werk zur Erbringung maximaler Leistung eingestellt. Falls es nicht nötig sein sollte, entfernte Objekte zu beleuchten oder wenn das Bild wegen zu hoher Lichtintensität zu stark angestrahlt ist, die Leistung regulieren, sie zu verringern und Energie zu sparen.

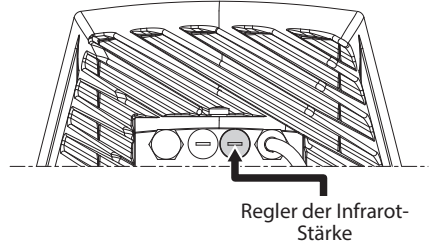


Abb. 52

Die hermetische Verschlusskappe abdrehen.

Den Trimmer in Uhrzeigersinn drehen, um die Leistung der Infrarot-Scheinwerfer zu erhöhen in in Gegenuhrzeigersinn, um die Leistung zu senken.

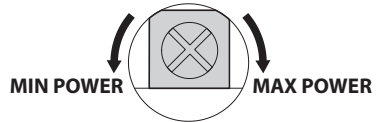


Abb. 53

**⚠ Nach den Einstellungen prüfen, dass der Verschlussdeckel angemessen angezogen ist, um die hermetische Dichtheit des Produkts zu garantieren.**

### 8.9.3 Aktivierung der LED-Scheinwerfer durch einen externen Dämmerungsschalter

Die LED-Scheinwerfer werden von einem externen Dämmerungssensor aktiviert. Dieser ist an einem Alarmeingang angeschlossen.

Die folgenden Arbeitsschritte ausführen:

- Den Dämmerungsschalter an den Steckverbinder der Signalkabel anschließen (AL4, COM, 8.2.3.2 Anschluss der Alarmeingänge, der Dämmerungsschalter und der Relais, Seite 24).
- Die Einstellung des Scheinwerfers Master vornehmen:
  - **Einschaltsschwelle:** Den Wert auf OFF stellen..
  - **Leistungsabgabe:** Wert entsprechend dem Bedarf einstellen.
- Die Einstellung des Scheinwerfers Slave vornehmen:
  - **Einschaltsschwelle:** Den Wert auf OFF stellen..
  - **Leistungsabgabe:** Wert entsprechend dem Bedarf einstellen.
- Den Helligkeitssensor einstellen auf: AUSSEN ( 10.3.17 Seite Nachtmodus, Seite 44).

### 8.9.4 Aktivierung der LED-Scheinwerfer durch den integrierten Dämmerungssensor

Die LED-Scheinwerfer verfügen innen über einen Dämmerungssensor.

Mit diesem Aktivierungsmodus kann der Nachtmodus nicht erwirkt oder der Scheinwerfer Slave gesteuert werden.

Die folgenden Arbeitsschritte ausführen:

- Die Einstellung des Scheinwerfers Master vornehmen:
  - **Einschaltsschwelle:** Wert entsprechend dem Bedarf einstellen.
  - **Leistungsabgabe:** Wert entsprechend dem Bedarf einstellen (von 50% bis 100%).
- Die Einstellung des Scheinwerfers Slave vornehmen:
  - **Einschaltsschwelle:** Wert auf Maximum einstellen.
  - **Leistungsabgabe:** Wert auf Minimum einstellen.
- Den Helligkeitssensor einstellen auf: SCHEINWERFER (10.3.17 Seite Nachtmodus, Seite 44).

### 8.9.5 Aktivierung der LED-Scheinwerfer durch die Kamera

Die LED-Scheinwerfer werden basierend auf der erfassten Helligkeit der von der Kamera aufgenommenen Szene aktiviert. Dieser Betriebsmodus steht nur zur Auswahl, wenn die Einheit mit einer eingebauten Kamera ausgestattet ist (11.6 Kamera-Modul sichtbar, Seite 51).

Die folgenden Arbeitsschritte ausführen:

- Die Einstellung des Scheinwerfers Master vornehmen:
  - **Einschaltsschwelle:** Den Wert auf OFF stellen..
  - **Leistungsabgabe:** Wert entsprechend dem Bedarf einstellen.
- Die Einstellung des Scheinwerfers Slave vornehmen:
  - **Einschaltsschwelle:** Den Wert auf OFF stellen..
  - **Leistungsabgabe:** Wert entsprechend dem Bedarf einstellen.
- Den Helligkeitssensor einstellen auf: KAMERA ( 10.3.17 Seite Nachtmodus, Seite 44).

### 8.9.6 Manuelle Aktivierung der LED-Scheinwerfer

Die LED-Scheinwerfer werden über die Webseite oder den ONVIF-Befehl aktiviert.

Die folgenden Arbeitsschritte ausführen:

- Die Einstellung des Scheinwerfers Master vornehmen:
  - **Einschaltsschwelle:** Den Wert auf OFF stellen..
  - **Leistungsabgabe:** Wert entsprechend dem Bedarf einstellen.
- Die Einstellung des Scheinwerfers Slave vornehmen:
  - **Einschaltsschwelle:** Den Wert auf OFF stellen..
  - **Leistungsabgabe:** Wert entsprechend dem Bedarf einstellen.
- Den Helligkeitssensor einstellen auf: NICHT VORHANDEN (10.3.17 Seite Nachtmodus, Seite 44).

## 9 Einschaltung



Sicherstellen, dass die Einheit und die anderen Bauteile der Anlage korrekt geschlossen sind, um den Kontakt mit unter Spannung stehenden Bauteilen zu verhindern.



Im normalen Betrieb kann der Scheinwerfer an der Oberfläche Hohe Temperaturen erreichen. Vermeiden Sie die direkte Berührung und positionieren Sie das Gerät an einem Ort, der für Unbefugte unzugänglich ist. Bevor man sie berührt, muss deshalb die Ausleuchtungseinrichtung abgeschaltet werden und mindestens 10 Minuten lang abkühlen.



Nicht die Nähe der Einrichtung aufsuchen, wenn sie mit Strom gespeist ist. Nur bei abgeschalteter Stromversorgung auf die Vorrichtung einwirken.



Vergewissern Sie sich, dass alle Teile fest und zuverlässig befestigt sind.



Der automatische Vorheizvorgang (De-Ice) könnte immer dann aktiviert werden, wenn das Gerät bei einer Umgebungstemperatur von unter 0°C in Betrieb genommen wird. Dieser Vorgang dient dazu, auch bei niedrigen Temperaturen den einwandfreien Betrieb der Einrichtungen sicherzustellen. Die Dauer liegt je nach Wetterbedingungen (von 60 Minuten bis zu 120 Minuten).

Für das Einschalten der Einheit die elektrische Versorgung anzulegen.

Die elektrische Versorgung abtrennen, um die Einheit abzuschalten.

## 10 Konfiguration

### 10.1 Vorgegebene IP-Adresse



Die Einheit ist konfiguriert, um eine IP-Adresse von einem DHCP-Server zu erhalten.

Die über DHCP erhaltene IP-Adresse ist in der Logdatei des DHCP-Servers sichtbar.

Sollte der DHCP nicht verfügbar sein, dann nimmt die Einheit die Konfiguration automatisch mit einer selbst generierten IP-Adresse im Subnetz 169.254.0.0/16 vor. Die IP-Adresse des PC als zum selben Subnetz gehörend konfigurieren (Beispiel: IP-Adresse: 169.254.1.1, subnet mask: 255.255.0.0). Sollte die automatische Zuweisung nicht möglich sein, stellt das System automatisch die Adresse <http://192.168.0.100> ein.

Zur erneuten Suche der IP-Adresse des Geräts ein mit ONVIF, der Anwendung ONVIF Device Manager oder einem Netzwerk-Sniffer kompatibles VMS verwenden (IP scan utility).

### 10.2 Identifikation der MAC-Adresse

Die MAC-Adresse des Geräts ist auf dem Etikett angegeben, welches sich in der kleinen Klappe der Steckverbinder der Basis befindet (s. Abbildung).

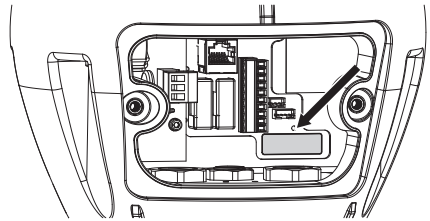


Abb. 54



## 10.3 Web-Schnittstelle

**i** **Unterstützte Browser: Microsoft Internet Explorer, Google Chrome, Mozilla Firefox.**

### 10.3.1 Erster Webseitenaufruf

Der erste Schritt zur Konfiguration der Einrichtung ist die Verbindung mit seiner Web-Schnittstelle.

Um auf die Webschnittstelle des Produkts zuzugreifen, genügt es, eine Verbindung über den Browser mit der Adresse `http://indirizzo_ip` herzustellen.

Der Schwenk-Neige-Kopf muss für einen korrekten Betrieb für die Kamera und das installierte Zubehör konfiguriert sein.

**i** **Das Produkt mit selbst generierter IP-Adresse kann das Videostreaming nicht übertragen. Sicherstellen, dass der DHCP-Server erreichbar ist oder gegebenenfalls eine IP-Adresse einstellen, die nicht zur Klasse „Link Local, 169.254.x.x/16“ gehört (10.3.6 Seite Netzwerk, Seite 39).**

Beim erstmaligen Zugriff wird die Seite für die Hardware-Konfiguration, wie folgt beschrieben, angezeigt.

### 10.3.2 Seite Hardware-Konfiguration

Unter dem Menüpunkt Hardware-Konfiguration kann die Hardware der Einheit konfiguriert werden.

Die Anzeige einiger Bereiche erfolgt je nach Systemkonfiguration dynamisch.

- **Kameratyp:** Kommunikationsmodus der Kamera (nur für den Modus PTZ Master).
- **Art:** Kommunikationstypologie gegenüber der Kamera.
  - **NONE:** Das System speist die Kamera nach dem Enteisen (das System überprüft nicht, ob die Kamera auf Ping antwortet).
  - **ONVIF CAMERA:** Das System konfiguriert sich, um mit der Kamera ONVIF Profil S kommunizieren zu können. Die Zugangsdaten des Schwenk-Neige-Kopfs entsprechen dem für die Kommunikation mit der Kamera vorgegebenen Benutzernamen und Passwort. Für die Kommunikation mit einer Kamera von Drittanbietern den Benutzernamen und das Passwort eingeben. (6.5.3 Vorkonfiguration der Kamera von Drittanbietern, Seite 13). Das System speist die Kamera nach dem Enteisen und überprüft, ob sie auf Ping und das ONVIF-Protokoll antwortet.
  - **CAMHD30X:** Das System konfiguriert sich, um mit der eingebauten Kamera kommunizieren zu können (1.6 Kamera-Modul sichtbar, Seite 51). Die vorgegebenen Zugangsdaten für das Gerät: Username: admin, Kennwort: admin.

- **Serieller Anschluss:** Kommunikationstypologie zur Steuerung des Geräts.
  - **Protokoll:** Kommunikationsprotokoll.
  - **ACK Senden:** Aktivierung des Sendens von ACK bei jedem empfangenen Befehl.
  - **Baudrate:** Einstellung der Kommunikationsgeschwindigkeit.
  - **Serientyp:** Serieller Leitungstyp über den das Produkt Befehle empfängt.
  - **Datenbits:** Bitanzahl jedes Datenpakets.
  - **Paritätskontrolle:** Kontrollmodus der Datenkohärenz.
  - **Stoppbit:** Stoppbitanzahl jedes Datenpakets.
- **Eigenschaften der Optik:** Eigenschaften der installierten Optik.
  - **Objektiv:** Typologie der installierten Optik.
    - **NONE:** Keine Optik installiert.
    - **FEST:** Optik mit festem Zoom und Fokus.
    - **INTEGRIERT:** Optik über Kamera gesteuert.
    - **UNABHÄNGIGE MOTORISIERUNG:** Optik mit Motor mit umgekehrter Polarität.
    - **MOTORISIERUNG MIT GEMEINSAMEN DRAHT:** Optik mit Motor mit gemeinsamen Draht.
    - **MOTORISIERT 485:** Über die serielle Schnittstelle RS 485 gesteuerte Optik.
  - **Modell:** Auswahl des Optikmodells 485.
  - **Protokoll:** Auswahl des für die Kommunikation mit der Optik zu verwendenden Protokolls.
- **Baudrate:** Auswahl der für die Kommunikation mit der Optik zu verwendenden Baudrate.
- **Serientyp:** Auswahl des Kommunikationsmodus mit der Optik.
- **ACK Senden:** Aktivierung der Wartezeit auf ACK bei jeder an die Optik gesendeten Meldung.
- **Preiset:** Festlegung der von der Optik steuerbaren max. Presetanzahl.
- **Zoomfaktor:** Die von der Optik zu erreichende Vergrößerungszahl.
- **Rotationspolarität des Zooms:** Kehrt die Rotation der Optik während des Zoomens um.
- **Rotationspolarität des Fokus:** Kehrt die Rotation der Optik während des Fokussierens um.
- **Optik mit Potenziometern:** Potenziometer für die Erfassung der Zoom- und Fokusposition.
- **Trigger One-push Autofokus:** Bestimmt die Ereignisart für die Aktivierung des Autofokus.
  - **MANUELL:** Die Aktivierung erfolgt ausschließlich über die Webseite oder den ONVIF-Befehl.
  - **BEWEGUNG PTZ+MANUELL:** Die Aktivierung erfolgt nach Beendigung jeder PAN-TILT- oder ZOOM-Bewegung bzw. über die Webseite oder den ONVIF-Befehl.
  - **DEAKTIVIERT:** Funktion deaktiviert.
- **Dauer One-push Autofokus:** Einstellung der Zeit, in der der Autofokus aktiviert bleibt.
- **Polarität One-push Autofokus:** Auswahl des Standardstatus des Relais des Autofokus.

- **Zubehör:** Vorhandensein oder Fehlen von in dem Gerät eingebautem Zubehör.
- **Scheibenwischer:** Aktiviert den Betrieb der Scheibenwischer.
- **Scheinwerfer:** Aktiviert den Betrieb der Scheinwerfer. (11.3 LED Scheinwerfer, Seite 50).
- **Beheizte Scheibe:** Aktiviert den Betrieb der beheizten Scheibe. (11.7 Heizbares Vereisungsschutz-Glas, Seite 51).
- **Scheibenwaschanlage:** Aktiviert den Betrieb der Scheibenwaschanlage. (11.1 Waschanlage, Seite 50).

| Kameratyp                |              |
|--------------------------|--------------|
| Art                      | ONVIF CAMERA |
| Benutzername             | admin        |
| Passwort                 | ****         |
| Passwort Wieder Eingeben | ****         |

| Eigenschaften der Optik       |                        |
|-------------------------------|------------------------|
| Objektiv                      | MOTORISIERT 485        |
| Modell                        | GENERIC                |
| Protokoll                     | PELCO D                |
| Basirate                      | 9600                   |
| Serientyp                     | RS485 BIDIREKTIONAL    |
| ACK Senden                    | DEAKTIVIERT            |
| Preset                        | 250                    |
| Zoomfaktor                    | 1                      |
| Trigger One-push Autofokus    | BEWEGUNG PTZ + MANUELL |
| Dauer One-push Autofokus (ms) | 500                    |
| Polarität One-push Autofokus  | NORMALERWEISE GEÖFFNET |

| Zubehör             |                 |
|---------------------|-----------------|
| Scheibenwischer     | VORHANDEN       |
| Scheinwerfer        | VORHANDEN       |
| Beheizte Scheibe    | NICHT VORHANDEN |
| Scheibenwaschanlage | VORHANDEN       |

Abb. 55 PTZ Master.

| Serieller Anschluss |             |
|---------------------|-------------|
| Protokoll           | PELCO D     |
| ACK Senden          | DEAKTIVIERT |
| Basirate            | 2400        |
| Serientyp           | RS485       |
| Datenbits           | 8           |
| Paritätskontrolle   | NONE        |
| Stoppbits           | 1           |

| Eigenschaften der Optik       |                        |
|-------------------------------|------------------------|
| Objektiv                      | MOTORISIERT 485        |
| Modell                        | GENERIC                |
| Protokoll                     | PELCO D                |
| Basirate                      | 2400                   |
| Serientyp                     | RS485 BIDIREKTIONAL    |
| ACK Senden                    | DEAKTIVIERT            |
| Preset                        | 1                      |
| Zoomfaktor                    | 10                     |
| Trigger One-push Autofokus    | BEWEGUNG PTZ + MANUELL |
| Dauer One-push Autofokus (ms) | 500                    |
| Polarität One-push Autofokus  | NORMALERWEISE GEÖFFNET |

| Zubehör             |                 |
|---------------------|-----------------|
| Scheibenwischer     | VORHANDEN       |
| Scheinwerfer        | VORHANDEN       |
| Beheizte Scheibe    | NICHT VORHANDEN |
| Scheibenwaschanlage | VORHANDEN       |

Abb. 56 Camera Master.

### 10.3.3 Home Seite

Wenn der Login erfolgreich abgeschlossen wurde, wird die Steuer-Schnittstelle des Produktes angezeigt.

Auf der Startseite ist folgendes möglich: Einsehen des Systemstatus, Anzeige des Kamera-Snapshots, Bewegung der Einheit, Steuerung der Optiken und des Zubehörs, Aktivierung der Relais und Überwachung des Status der Alarmeingänge.

#### 10.3.3.1 Snapshot des Videos

Hier wird eine Vorschau der Aufnahme gezeigt, die die Einheit ausführt. Die Auflösung des Snapshots und seiner Bildfrequenz ist fest. Sie unterscheiden sich von den realen Eigenschaften des Videostroms. Zur Anzeige der Streamingqualität des Videos muss ein VMS oder ein ONVIF DEVICE MANAGER verwendet werden.



Abb. 57

#### 10.3.3.2 Systemstatus

Bei der Inbetriebnahme wird in dem Bereich des Snapshots der Systemstatus angezeigt.

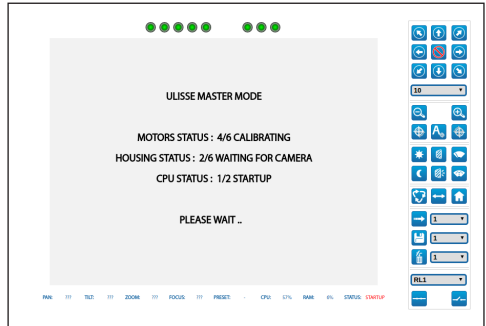


Abb. 58

Während des normalen Betriebsmodus erscheint der Menüpunkt System Log bei aktivem Alarm gelb gekennzeichnet und einhergehend mit einem Warnsignal.



Abb. 59

### 10.3.3.3 Horizontale und vertikale Bewegung

Mit der Bildschirmtastatur kann die Einheit bewegt werden. Zum Einstellen der Geschwindigkeit das unter der Bildschirmtastatur vorhandene Aufklapp-Menü verwenden.

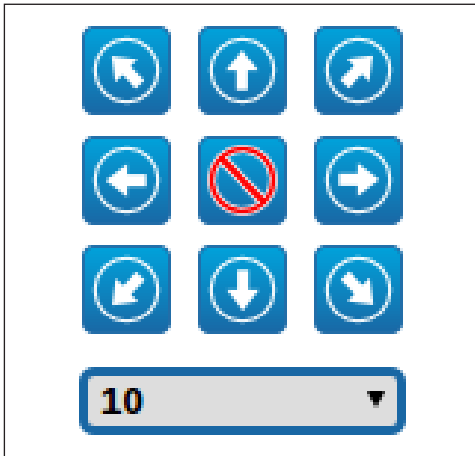


Abb. 60

Die Einheit kann sich auch durch direktes Klicken auf den Snapshot in die gewünschte Richtung bewegen.

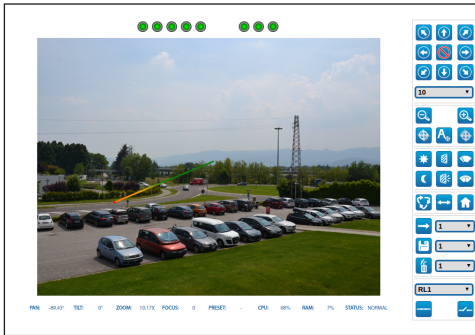


Abb. 61

### 10.3.3.4 Steuerung der Optiken

- **Zoom Wide/Zoom Tele**



Abb. 62

- **Fokus Nah/Fokus Weit/Autofokus:** Der Autofokus ist nur mit sichtbarem Kamera-Modul oder mit motorisierten Optiken mit Autofokus verfügbar.



Abb. 63

### 10.3.3.5 Steuerung des Scheibenwischers und der Scheibenwaschanlage

- **Scheibenwischer/Scheibenwaschanlage:** Die Scheibenwaschanlage muss, um verwendet zu werden, aktiviert sein.



Abb. 64

### 10.3.3.6 Steuerung des Tag- / Nachtmodus

- **Tag- Modus/Nacht- Modus:** Der Tag-Modus schaltet die Scheinwerfer aus und sendet den Befehl zum Einsetzen des IR-Filters an die Kamera. Der Nacht-Modus schaltet die Scheinwerfer ein und sendet den Befehl zur Entfernung des IR-Filters an die Kamera.



Abb. 65

### 10.3.3.7 Steuerung des Scheinwerfers Slave

- **Off/On:** Der Scheinwerfer Slave kann manuell ein- oder ausgeschaltet werden.



Abb. 66

### 10.3.3.8 Steuerung Preset

- **Gehen zu Preset/Preset Speichern/Preset Löschen**

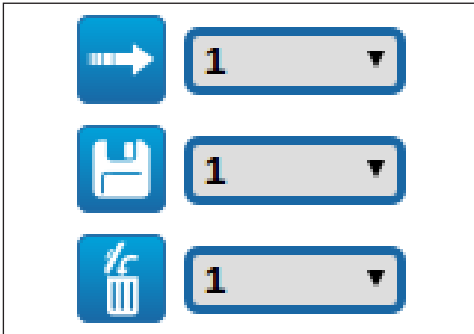


Abb. 67

- **Einschalten Patrol:** Für die Wächterrundgangfunktion müssen mindestens 2 Presets gespeichert sein. Die Bewegungsgeschwindigkeit und die Wartezeit können im entsprechenden Kapitel eingestellt werden (10.3.13 Seite Preset (Fortgeschritten), Seite 42).



Abb. 68

- **Einschalten Autopan:** Ruft kontinuierlich 2 konfigurierte Positionen auf. Für weitere Infos bitte entsprechendes Kapitel beachten (10.3.9 Autopan Seite, Seite 41).



Abb. 69

- **Zurück zu Home:** Ruft die Position des Presets Nummer 1 auf.



Abb. 70

### 10.3.3.9 Kontrolle Relais und Alarmstatus

- **Relais Aktivieren/Relais Deaktivieren:** Nach Auswahl des Relais im Ausklapp-Menü kann der Status des Kontakts eingestellt werden.

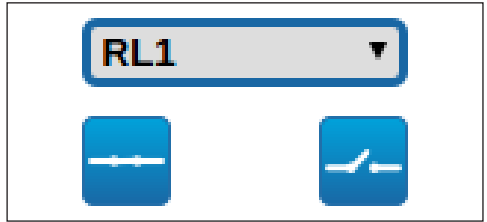


Abb. 71

- **AL1/AL2/AL3/AL4/ALHOUSING/RL1/RL2/DNH OUSING:** Anzeige des Status der Alarme und der Relais. Rot gibt an, dass der Alarm oder das Relais aktiviert ist. Grün gibt an, dass der Alarm oder das Relais deaktiviert ist.

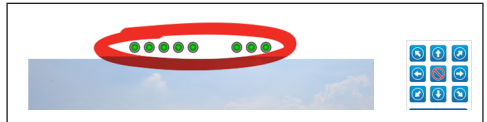


Abb. 72

### 10.3.3.10 Steuerung des Geräts über die Tastatur

Das Gerät kann mit der Tastatur des PC gesteuert werden. Hierzu die in der Abbildung angegebenen Tasten verwenden.

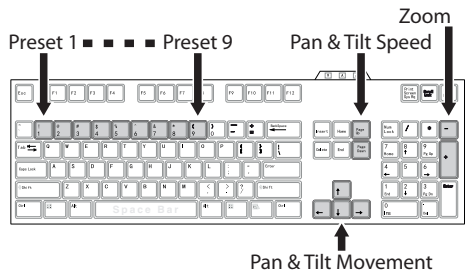


Abb. 73

### 10.3.4 Geräteparameter Seite

Im Menü-Eintrag Geräteparameter können der Name der Einrichtung eingestellt und andere Zusatzinformationen angezeigt werden.

|                                 |                   |
|---------------------------------|-------------------|
| GeräteName                      | lufse2            |
| Produktcode                     |                   |
| Seriennummer                    |                   |
| Add-on-Seriennummer             | 119065310001      |
| MAC-Adresse                     | 00:21:A6:00:11:4C |
| Firmware-Version: CPU Board     | 1.1.0             |
| Firmware-Version: Motor Board   | 1.0.3             |
| Firmware-Version: Housing Board | 1.0.4             |
| Hardware-Revision               | 1                 |
| MajorRevision                   | 1                 |
| MinorRevision                   | 1                 |

SENDEN  
STOPPHEBEN

Abb. 74

### 10.3.5 Gerätestatistiken Seite

Im Menü-Eintrag Gerätestatistiken können alle während des Betriebs der Einrichtung gesammelten Statistiken eingesehen aber nicht geändert werden.

|                                      |       |
|--------------------------------------|-------|
| Pan-Grade (°)                        | 20136 |
| TIR-Grade (°)                        | 2756  |
| Erschalten                           | 28    |
| Arbeitsstunden (h)                   | 30    |
| Höchsttemperatur Gehäuse-Board (°C)  | 43    |
| Mindesttemperatur Gehäuse-Board (°C) | 29    |
| Höchsttemperatur Motoren-Board (°C)  | 51    |
| Mindesttemperatur Motoren-Board (°C) | 32    |
| Höchsttemperatur CPU-Board (°C)      | 42    |
| Mindesttemperatur CPU-Board (°C)     | 27    |
| IR-LICHT ON Stunden (h)              | 0     |

Abb. 75

### 10.3.6 Seite Netzwerk

**i** Damit das Gerät korrekt funktioniert, muss es über einen NTP-Server mit der VMS-Software synchronisiert werden.

Im Menü-Eintrag Netzwerk kann die Netzwerk-Einstellung des Schwenk-Neige-Kopfes geändert werden. Es kann eingestellt werden, ob das Gerät eine statisch oder dynamisch mit DHCP zugewiesene oder eine selbstgenerierte Adresse haben muss. Das Gerät unterstützt das Internet Protocol (IP) in Version 4.

Auf derselben Seite können außerdem 2 DNS konfiguriert und eingestellt werden, welche Mechanismen aktiv sein müssen, um die Geräte im lokalen Netzwerk automatisch zu identifizieren.

**NTP-Server:** Außerdem kann angegeben werden, ob das Gerät sich mit einem externen NTP (Network Time Protocol) Server synchronisieren muss.

- **DEAKTIVIERT:** Stellen Sie diese Option ein, wenn Datum und Uhrzeit des Geräts nicht synchronisiert werden sollen.
- **DHCP:** Stellen Sie diese Option ein, wenn Datum und Uhrzeit des Geräts mit einem durch den DHCP-Server angegebenen NTP-Server (Network Time Protocol) synchronisiert werden sollen.
- **STATISCH:** Stellen Sie diese Option ein, wenn Datum und Uhrzeit des Geräts mit einem durch statische Adresse angegebenen NTP-Server synchronisiert werden sollen.

**PC Sync:** Synchronisierung des Datums und der Uhrzeit des Produkts mit dem verwendeten PC möglich (Der Befehl ist nach jedem Einschalt- / Ausschaltzyklus der Einheit erneut auszuführen).

|                         |                         |
|-------------------------|-------------------------|
| IP-Version              | IPv4                    |
| Adressart               | STATISCH                |
| IP-Adresse (IPv4)       | 192.168.0.106           |
| Subnet Mask (IPv4)      | 255.255.255.0           |
| Gateway (IPv4)          | 192.168.0.106           |
| Automatische DNS-Suche  | DEAKTIVIERT             |
| Primärer DNS-Server     | 8.8.8.8                 |
| Alternativer DNS-Server | 8.8.4.4                 |
| Datum & Uhrzeit         | 2016-08-03 08:42:02 UTC |
| NTP-Server              | DEAKTIVIERT             |
| PC Sync                 | DEAKTIVIERT             |
| UPnP                    | AKTIV                   |
| Zeroconf                | AKTIV                   |
| Multicast Discovery     | AKTIV                   |
| WS Discovery            | AKTIV                   |

SENDEN  
STOPPHEBEN

Abb. 76

### 10.3.7 Seite Nutzer

Im Menü-Eintrag Benutzer-Konfiguration können die Benutzer verwaltet werden, die Zugriff auf die Einrichtung haben. Die Nutzer „Administrator“ können auf die gesamte Konfiguration des Geräts zugreifen. Die Benutzer Typ Operator, User und Anonymous haben begrenzten Zugriff auf die Verwaltungsseiten.

Die Nutzer mit beschränktem Zugriff können nur auf folgende Seiten zugreifen:

- Home (den Schwenk-Neige-Kopf bewegen, die Scheinwerfer kontrollieren, den Scheibenwischer aktivieren, die Scheibenwaschanlage aktivieren, die Relais aktivieren und die Presets aufrufen)
- Geräteparameter
- Gerätetstatistiken

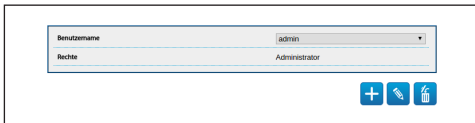


Abb. 77

Das Passwort kann sich nur aus folgenden Zeichen zusammensetzen (a-z, A-Z, 0-9, „\_“, „+“, „@“, „%“, „/“, „^“, „\*“, „[]“, „#“, „;“, „~“).

Einige Kameras könnten den oben angegebenen Zeichensatz nicht unterstützen.

### 10.3.8 Seite Bewegungen

Im Menü-Eintrag Bewegungsparameter können via Internet alle Parameter des Schwenk-Neige-Kopfes kontrolliert werden.

- **Offset Pan:** Der Schwenk-Neige-Kopf hat eine Position von 0°, die mechanisch definiert ist. Die Funktion Offset Pan ermöglicht es, auf Softwareebene eine andere Position als 0° festzulegen.
- **Sparmodus:** Zur Senkung des Verbrauchs wird das Drehmoment der Motoren reduziert, wenn der Schwenk-Neige-Kopf stillsteht. Nicht bei starkem Wind oder Schwingungen aktivieren.
- **Höchstgeschwindigkeit:** Hier kann die Höchstgeschwindigkeit bei manueller Steuerung vorgegeben werden.
- **Rampentyp:** Erlaubt die Wahl der Beschleunigungen des Schwenk-Neige-Kopfes. (Dauer Beschleunigung / Verlangsamung: 1=1.1s, 2=0.95s, 3=0.8s, 4=0.5s)
- **Geschwindigkeit mit Zoom:** Bei Aktivierung dieses Parameters wird die Geschwindigkeit für Pan und Tilt automatisch in Abhängigkeit vom Zoomfaktor reduziert.

- **Tilt-Faktor:** Reduzierfaktor für die manuelle Geschwindigkeit der Tiltachse. Berechnung der Bewegungsgeschwindigkeit: Geschwindigkeit Neigungsachse (Tilt) = Nenngeschwindigkeit Neigung / Neigungsfaktor.
- **Grenzkpunkte Pan:** Aktiviert die Grenzkpunkte für die Funktion Pan (Kameraschwenk).
- **Beginn Pan:** Vorgabe der Grenzposition zu Beginn des Kameraschwenks (Pan).
- **Ende Pan:** Vorgabe der Grenzposition am Ende des Kameraschwenks (Pan).
- **Beginn Tilt:** Vorgabe der Grenzposition zu Beginn der Kameraneigung (Tilt)
- **Ende Tilt:** Vorgabe der Grenzposition am Ende der Kameraneigung (Tilt).
- **Empfindlichkeit:** Auswahlmöglichkeit der Systemempfindlichkeit bzgl. der Erfassung ungewünschter Bewegungen von Pan und Tilt. Wird der eingestellte Grenzwert überschritten, führt das System die Neukalibrierung von Pan und Tilt durch.

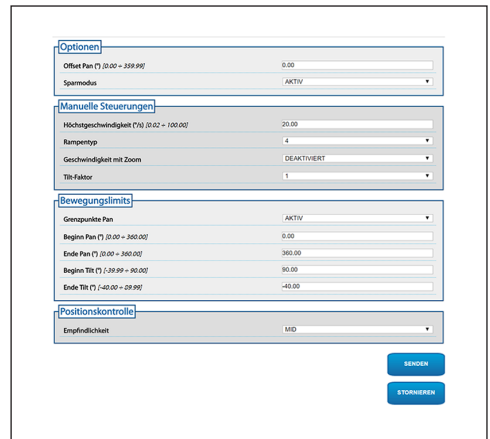


Abb. 78



### 10.3.9 Autopan Seite

Im Menü-Eintrag Autopan können die Presets für Beginn und Ende des Autopan angegeben werden.

Es ist möglich, die Geschwindigkeit einzustellen, mit der die Strecke zurückgelegt werden soll.

Abb. 79

### 10.3.10 Patrol Seite

Im Menü-Eintrag Patrol können die Presets für Beginn und Ende des Patrol angegeben werden. Außerdem kann angegeben werden, ob die Abtastung der Presets in kausaler Weise oder nicht erfolgen soll.

Abb. 80

### 10.3.11 Bewegungsanforderung Seite

Unter dem Menüpunkt Bewegungsaufwurf können die zeitlichen Intervalle festgelegt werden, nach denen der Schwenk-Neige-Kopf bestimmte Funktionen durchführen wird.

- **Art:** Dieser Parameter wählt die auszuführende Funktion, wenn das Intervall der Standzeit beendet ist. Die Funktionen Home, Autopan und Patrol können aktiviert werden.
- **Timeout:** Dieser Parameter legt das Zeitintervall des Stillstands fest.
- **Zyklische Neukalibrierung:** Dieser Parameter bestimmt nach wie vielen Stunden das System ein neues Kalibrierungsverfahren der Achsen durchführen muss. Zum Deaktivieren der Funktion den Wert 0 einstellen.

Abb. 81

### 10.3.12 Seite Preset

Im Menü-Eintrag Preset sind einige Parameter der Presets konfigurierbar:

- **Scan Geschwindigkeit:** Geschwindigkeit in Grad pro Sekunde, mit der ein Preset auf ausdrückliche Aufforderung des Bedieners erreicht wird.
- **Bewegungsgeschwindigkeit Default:** Die bei den Funktionen Autopan und Patrol benutzten Geschwindigkeiten.
- **Default-Geschwindigkeit Vorgeben:** Die Default-Geschwindigkeit wird auch als Abtastgeschwindigkeit für alle Presets eingestellt.
- **Standardpause:** Default-Verweilzeit in jedem Preset in Sekunden.
- **Default-Pause Vorgeben:** Die Default-Pause wird für alle Presets eingestellt.

|   |       |
|---|-------|
| Scan Geschwindigkeit (°/s) (0.00 - 50.00)             | 50.00 |
| Bewegungsgeschwindigkeit Default (°/s) (0.00 - 50.00) | 50.00 |
| Default-Geschwindigkeit Vorgeben                      | NEIN  |
| Standardpause (s) (0 - 3600)                          | 5     |
| Default-Pause Vorgeben                                | NEIN  |

Abb. 82

### 10.3.13 Seite Preset (Fortgeschritten)

Im Abschnitt Preset (Fortgeschritten) können die Werte für Geschwindigkeit und Pause für jeden Preset individuell angepasst, sowie die Presets selbst aktiviert/deaktiviert werden.

Die Geschwindigkeits- und Pausenwerte werden für die Patrol-Steuerung verwendet.

|   |       |
|---|-------|
| Preset ID                                     | 1     |
| Aktiv   | JA    |
| Pan   | 0.00° |
| Tilt  | 0.00° |
| Zoom  | 1X    |
| Fokus   | 0     |
| Bewegungsgeschwindigkeit (°/s) (0.00 - 50.00) | 50.00 |
| Pause (s) (0 - 3600)                          | 5     |

Abb. 83

### 10.3.14 Seite Digitaleingänge

Unter dem Menüpunkt Digitaleingänge können die im Gerät vorhandenen Digitalkanäle konfiguriert werden. Es folgt eine kurze Beschreibung der konfigurierbaren Parameter für jeden Digitaleingang.

- **ID Alarm:** Verwendetes Feld für die Auswahl des gewünschten Digitaleingangs. Der Alarmeingang 5 befindet sich im Gehäuse. Für den Anschluss Bezug nehmen auf das Kapitel (AL, COM, 7.4.3 Anschluss der Netzwerkkamera, Seite 18).
- **Beschreibung Eingang:** Eine Textbeschreibung bzgl. der Eingangsfunktionalität einfügen.
- **Art:** Zeigt den Standard-Status des Digitaleingangs an.
- **Aktion:** Jedem Eingang kann eine Aufnahme zugeordnet werden. Die Aufnahme wird in dem Moment aktiviert, in dem der Kontakt in einen anderen als den Standard-Status übergeht. Es folgt eine Liste der verfügbaren Aufnahmen:
  - **NONE:** Keine Aufnahme.
  - **SCAN:** Positionierung des Schwenk-Neige-Kopfes am ausgewählten Preset.
  - **PATROL:** Aktivierung PATROL.
  - **AUTOPAN:** Aktivierung AUTOPAN.
  - **SCHEIBENWISCHER:** Aktiviert den Scheibenwischer.
  - **SCHEIBENWASCHANLAGE:** Aktivierung Waschsequenz Glas
  - **DNHOUSING:** Aktivierung des im Gehäuse vorhandenen Relais. Für den Anschluss Bezug nehmen auf das Kapitel (DN1, DN2, 7.4.3 Anschluss der Netzwerkkamera, Seite 18).
  - **RL1:** Aktivierung Relais 1.
  - **RL2:** Aktivierung Relais 2.
  - **IR FILT:** Deaktivierung des Filters IR der Kamera. Falls vorhanden, werden die LED-Scheinwerfer eingeschaltet.

Zur Kontrolle des einwandfreien Betriebs der Alarme erscheint auf der Web-Seite ein Punkt, der im Normalzustand grün ist, und rot, wenn ein Alarm erkannt wird. Der Punkt ist grün im Normalzustand und rot wenn ein Alarm erkannt wird.

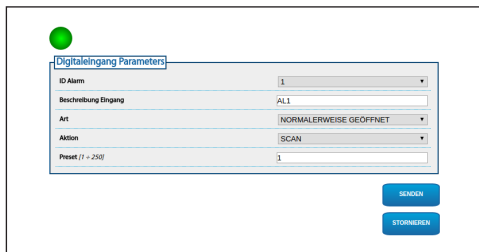


Abb. 84

### 10.3.15 Seite Digitalausgänge

Unter dem Menüpunkt Digitalausgänge können die im Gerät vorhandenen Digitalkanäle konfiguriert werden. Es folgt eine kurze Beschreibung der konfigurierbaren Parameter für Digitalausgang.

- **ID-Relais:** Bereich zum Auswählen des gewünschten Digitalausgangs.
- **Beschreibung Ausgang:** Eine Textbeschreibung bzgl. der Ausgangsfunktionalität einfügen.
- **Ruhestatus:** Gibt den Standardstatus des Digitalausgangs an.
- **Modus:** Gibt den Aktivierungsmodus des Digitalausgangs an.
  - **MONOSTABIL:** Dieser Modus aktiviert den Ausgang für das vorgegebene Zeitintervall.
  - **BISTABIL:** Dieser Modus aktiviert den Ausgang für ein unendliches Zeitintervall.
- **Aktivierungszeit:** Gibt an, für wie viele Millisekunden der Digitalausgang aktiviert bleibt (nur wirksam, wenn der Modus Monostabil ausgewählt wurde).

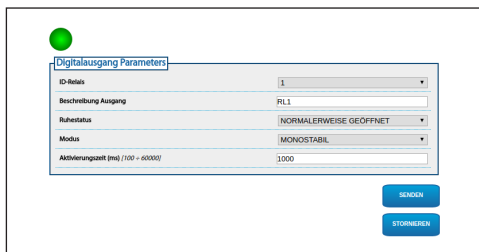


Abb. 85

Die Anzeige einiger Bereiche erfolgt je nach Systemkonfiguration dynamisch.

### 10.3.16 Seite Hilfsbefehle

Unter dem Menüpunkt Hilfsbefehle kann die mittels ONVIF-Protokoll zu exportierende Befehlsanordnung geändert werden. Zum Ändern der Anordnung genügt es, die Hilfsbefehle durch Klicken auf das entsprechende Symbol am Zeilenanfang zu ziehen. Mit der entsprechenden Taste können die Befehle getestet werden.

- **Änderung Befehl/Durchführung Befehl**



Abb. 86



Abb. 87

Am Konfigurationseende muss das Gerät erneut mit dem VMS verbunden werden, ansonsten werden die Änderungen nicht durchgeführt.

### 10.3.17 Seite Nachtmodus

Unter dem Menüpunkt Nachtmodus kann die Aktivierung der Scheinwerfer konfiguriert werden.

Die Anzeige einiger Bereiche erfolgt je nach Systemkonfiguration dynamisch.

- **Helligkeitssensor:** Einstellung der Erfassung des Umgebungslichts für die Videumschaltung in den Nachtmodus.
- **AUSSEN:** Erfassung des Umgebungslichts über Alarমেingang.
- **SCHEINWERFER:** Erfassung des Umgebungslichts über die Fotozelle der Scheinwerfer.
- **KAMERA:** Erfassung des Umgebungslichts über die Kamera.
- **NICHT VORHANDEN:** Manuelle Aktivierung über Webseite oder Hilfsbefehl ONVIF.
- **Synchronisierung IR-Filter Kamera:** Aktiviert die Entfernung des IR-Filters, wenn sich das System im Nachtmodus befindet.
- **Aktivierung Scheinwerfer Slave:** Einstellung des Aktivierungsmodus des Scheinwerfers Slave.
  - **MANUELL:** Modus zur manuellen Steuerung des Scheinwerfers.
  - **WIE MASTER:** Modus zum Aktivieren des Scheinwerfers Slave zusammen mit Master.
  - **ZOOMFAKTOR:** Modus zum Aktivieren des Scheinwerfers Slave, wenn der Scheinwerfer Master aktiv ist und der Zoomfaktor größer ist als der eingestellte Wert. Die Funktion steht nur für motorisierte Optiken mit Potenziometern oder mit dem Zubehör sichtbares Kameramodul zur Verfügung.
  - **POSITION PRESET:** Modus zum Aktivieren des Scheinwerfers Slave, wenn der Scheinwerfer Master aktiv ist und sich der Schwenk-Neige-Kopf in einer der angegebenen Preset-Positionen befindet.

- **Kameraparameter:** Einstellung der Stufen und der Verzögerungen beim Übergang zwischen dem Nacht- und Tagmodus.
- **Grenzwert Tag-Nacht:** Einstellung der Lichtstufe, unter dieser der Schwenk-Neige-Kopf den Nachtmodus aktiviert.
- **Grenzwert Nacht-Tag:** Einstellung der Lichtstufe, über dieser der Schwenk-Neige-Kopf den Tagmodus aktiviert.
- **Verzögerung Tag-Nacht:** Einstellung der Zeit in Sekunden, während dieser das Licht unter dem Grenzwert Nacht bleiben muss.
- **Verzögerung Nacht-Tag:** Einstellung der Zeit in Sekunden, während dieser das Licht über dem Grenzwert Tag bleiben muss.
- **Grenzwert Zoom Scheinwerfer Slave:** Bei aktiviertem Nachtmodus wird die Zoomstufe angegeben, über der der Scheinwerfer Slave aktiviert wird.
- **Liste Preset Scheinwerfer Slave:** Bei aktiviertem Nachtmodus wird bestimmt, für welche Presets der Scheinwerfer Slave aktiviert wird.

The screenshot shows a web-based configuration interface for a camera system. It is divided into several sections:

- Top Section:** Contains three dropdown menus: 'Helligkeitssensor' (set to 'KAMERA'), 'Synchronisierung IR-Filter Kamera' (set to 'AKTIV'), and 'Aktivierung Scheinwerfer Slave' (set to 'POSITION PRESET').
- Kameraparameter Section:** Contains four input fields:
  - 'Grenzwert Tag-Nacht (0 - 10)' with a value of 10.
  - 'Grenzwert Nacht-Tag (15 - 31)' with a value of 15.
  - 'Verzögerung Tag-Nacht (0) (15 - 240)' with a value of 5.
  - 'Verzögerung Nacht-Tag (0) (15 - 240)' with a value of 15.
- Scheinwerfer Slave Parameters Section:** Contains a section titled 'Liste Preset Scheinwerfer Slave' with a grid of buttons for selecting preset positions (1, 2, 3, 4, 5, 6, 7, 8).
- Bottom Right:** Two buttons labeled 'SENDEN' and 'STORNIEREN'.

Abb. 88

### 10.3.18 Seite Scheibenwaschanlage

Die Konfigurationsseite ist nur verfügbar, wenn das entsprechende Zubehör vorhanden ist (11.1 Waschanlage, Seite 50).

Im Menü-Eintrag Scheibenwaschanlage kann der Betrieb der Waschanlage konfiguriert werden.

Mit der Bildschirmstastatur kann die Einheit bewegt werden. Zum Einstellen der Geschwindigkeit das unter der Bildschirmstatur vorhandene Aufklapp-Menü verwenden.

Die Knöpfe Zoom Wide und Zoom Tele gestatten die Kontrolle des Sehwinkels.

- **Zur Position Düse/Position Düse Speichern:**

Die Einheit positioniert das Gehäusefenster in Übereinstimmung mit der gespeicherten Düsenposition. Falls notwendig, kann eine neue Düsenposition gespeichert werden.



Abb. 89

- **Aktivierung der Scheibenwaschanlage:**

Ausführung eines Tests des Waschvorgangs.



Abb. 90

- **Status Pumpe:**

Zustandsanzeige des die Pumpe steuernden Relais. Rot gibt an, dass die Pumpe in Betrieb ist. Grün gibt an, dass die Pumpe ausgeschaltet ist.



Abb. 91

- **Verzögerung Scheibenwischer-Aktivierung:** Zeitraum, der zwischen dem Beginn der Wasserabgabe und der Einschaltung des Scheibenwischers vergeht.
- **Waschdauer:** Dauer der Wasserabgabe durch die Pumpe.
- **Verzögerung Scheibenwischer-Deaktivierung:** Dauer des Wischvorgangs nach Abschluss der Wasserabgabe.

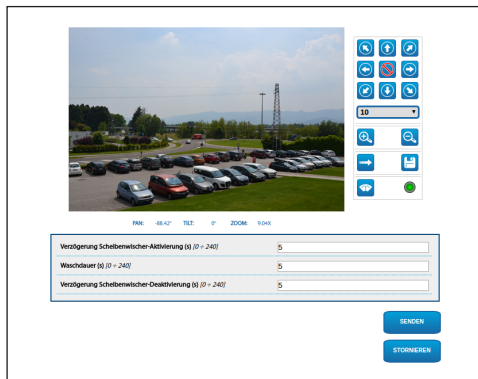


Abb. 92

## 10.3.19 Kamera-Einstellungen Seite

### 10.3.19.1 Kamera von Drittanbietern



**Das Produkt mit selbst generierter IP-Adresse kann das Videostreaming nicht übertragen. Sicherstellen, dass der DHCP-Server erreichbar ist oder gegebenenfalls eine IP-Adresse einstellen, die nicht zur Klasse „Link Local, 169.254.x.x/16“ gehört (10.3.6 Seite Netzwerk, Seite 39).**

Über den Menüpunkt Kamera-Einstellungen kann auf die Webseite der installierten Kamera zugegriffen werden. Die Konfiguration der Parameter für das Videostreaming muss über das ONVIF-Protokoll erfolgen. Hierfür ein kompatibles VMS oder die Anwendung Onvif Device Manager (empfohlen) verwenden. Ist eine direkte Änderung des Videostreamings direkt von der Webseite der Kamera nötig, muss der Schwenk-Neige-Kopf bei Konfigurationseende neu gestartet werden.

### 10.3.19.2 Kamera-Modul sichtbar

Die Anzeige einiger Bereiche erfolgt je nach Systemkonfiguration dynamisch.

Unter dem Menüpunkt Kamera-Einstellungen kann die im Gerät eingebaute Kamera konfiguriert werden:

- **Belichtung:** Konfigurationsparameter
  - **Modus Belichtung:** Der Parameter konfiguriert den Belichtungsalgorithmus (AUTO, MANUAL, IRIS, SHUTTER, BRIGHT). Die entsprechenden Kontrollfelder werden basierend auf dem ausgewählten Modus angezeigt.
  - **Hohe Empfindlichkeit:** Mit diesem Modus erhöht sich die maximale Verstärkung, damit die Bilder auch bei dunklen Szenen mehr Helligkeit aufweisen.
  - **Abgleich Backlight:** Der Parameter aktiviert den Modus zum Abgleich bei Gegenlicht.
  - **Auto Slowshutter:** Der Parameter bestimmt den Modus bei Aufnahme bei niedriger Bildfrequenz.
  - **Grenze Verstärkung:** Der Parameter bestimmt den Höchstwert der Verstärkung für den Belichtungsalgorithmus.
  - **Belichtungsabgleich:** Der Parameter aktiviert die Korrektur der Helligkeit der Szene.
  - **Abgleichswert:** Der Parameter bestimmt den Korrekturwert der Helligkeit der Szene.
- **Zoom:** Konfigurationsparameter
  - **Digital-Zoom:** Damit wird der digitale Zoom ein- bzw. ausgeschaltet (zusammen mit der für die Optik erhältlich).
  - **Zoomgeschwindigkeit:** Möglichkeit zur Geschwindigkeitseinstellung bei manueller Steuerung.
- **Fokus:** Konfigurationsparameter
  - **Modus Autofokus:** Möglichkeit zur Einstellung des Autofocus im kontinuierlichen Modus (CAMERA TRIGGER) oder bei jedem Bewegungsende (PTZ TRIGGER).
  - **Empfindlichkeit Autofocus:** NORMAL: Schnelle Fokussierung für häufige Bewegungen. LOW: Zur Verbesserung der Stabilität der Fokussierung, vor allem für Szenen mit geringer Helligkeit und mit Bildrauschen.
  - **Focus-Geschwindigkeit:** Möglichkeit zur Geschwindigkeitseinstellung bei manueller Steuerung.

- **Weißabgleich:** Konfigurationsparameter
  - **Modus:** Damit kann die Weißbilanz entweder manuell oder automatisch eingerichtet werden.
- **Wide Dynamic Range:** Konfigurationsparameter
  - **Wide Dynamic Range:** Mit dem Parameter kann die Funktion zur Verbesserung des Kontrastes zwischen hellen und im Schatten liegenden Bereichen aktiviert werden. Der Modus Visibility Enhancer (VE) ermöglicht die Sicht durch eine Reduzierung des Bildrauschens auf ein Minimum zu verbessern.
- **Lichtniveau:** Der Parameter gibt den durchschnittlichen Grenzwert der Helligkeit der Szene an.
- **Auswahl der Helligkeitskompensation:** Der Parameter gibt den Bereich vor, in dem die Korrektur der Helligkeit durchgeführt wird.
- **Lichtkompensation Niveau:** Der Parameter legt die Stufe des angewendeten Abgleichs des ausgewählten Bereichs fest.
- **Optionen:** Konfigurationsparameter
  - **Bildstabilisierung:** Der Parameter aktiviert die elektronische Bildstabilisierung.
  - **Verringerung Bildrauschen:** Der Parameter legt die Stufe und den daraus folgenden Modus (2D, 3D) für die Verringerung des Bildrauschens fest.
  - **Hohe Auflösung:** Der Parameter aktiviert die Verbesserung der Konturen und Erzeugung schärferer Bilder.
  - **Schärfe:** Der Parameter stellt die Stufe der Kantenschärfe ein.
- **Defog-Modus:** Der Parameter aktiviert die Funktion, welche die Sicht bei Nebel verbessert.
- **Glanzlichtkorrektur:** Der Parameter aktiviert die Funktion, welche die Maskierung der überbelichteten Bereiche durchführt.
- **Korrektur Überbelichtungsstufe Maskierung:** Der Parameter bestimmt die Helligkeitsstufe oberhalb der die Maskierung zu aktivieren ist.

The screenshot displays a configuration menu with the following sections and settings:

- Zoom:** Digital Zoom (DEAKTIVIERT), Zoomgeschwindigkeit (4)
- Fokus:** Modus Autofokus (PTZ TRIIGGER), Fokus-Geschwindigkeit (4)
- Belichtung:** Modus Belichtung (AUTO), Hohe Empfindlichkeit (OFF), Abgleich Backlight (OFF), Auto Slowwutter (ON), Grenze Verstärkung (dB) (15.4), Belichtungsabgleich (OFF)
- Weißabgleich:** Modus (OUTDOOR AUTO)
- Wide Dynamic Range:** Wide Dynamic Range (ON), Lichtniveau (3), Auswahl der Helligkeitskompensation (STANDARD), Lichtkompensation Niveau (MID)
- Optionen:** Bildstabilisierung (OFF), Verringerung Bildrauschen (OFF), Hohe Auflösung (OFF), Schärfe (1), Defog-Modus (OFF), Glanzlichtkorrektur (OFF), Korrektur Überbelichtungsstufe Maskierung (OFF)

Buttons for 'SENDEN' and 'STORNIEREN' are located at the bottom right.

Abb. 93

Die Konfiguration der Parameter für das Videostreaming muss über das ONVIF-Protokoll erfolgen. Hierfür ein kompatibles VMS oder die Anwendung Onvif Device Manager (empfohlen) verwenden.

### 10.3.20 Seite Maskierung

Die Konfigurationsseite ist nur verfügbar, wenn das entsprechende Zubehör vorhanden ist (11.6 Kamera-Modul sichtbar, Seite 51).

Unter dem Menüpunkt Maskierung können Bereiche bestimmt werden, die auf dem Video verdunkelt erscheinen.

Mit der Bildschirmtastatur kann die Einheit bewegt werden. Zum Einstellen der Geschwindigkeit das unter der Bildschirmtastatur vorhandene Aufklapp-Menü verwenden.

Die Knöpfe Patrol, Gehen zu Preset und Home gestatten die Aktivierung der entsprechenden Funktionen.

- **Auswahl Maske**



Abb. 94

- **Modus Maskierung:** Während der PTZ-Bewegung können Bereiche des Videos abgedunkelt werden. Bei Erreichen der konfigurierten Position wird das gesamte Video verdunkelt. Zwei Maskierungs-Modi stehen zur Verfügung. Der Modus PAN-TILT aktiviert die Maske. Dabei werden beide Koordinaten (Horizontal- und Vertikalachse) zugrunde gelegt. Der Modus PAN aktiviert die Maske. Dabei werden nur die Koordinaten der Horizontalachse zugrunde gelegt.



Abb. 95

- **Position Anfang Maske:** Konfiguration des Aktivierungspunkts der Maske.



Abb. 96

- **Position Ende Maske:** Konfiguration des Deaktivierungspunkts der Maske.



Abb. 97

- **Aktivierung Maske/Deaktivierung Maske/ Positionierung in der Mitte der Maske/ Löschung aller Masken**



Abb. 98



Abb. 99



### 10.3.21 Seite Systemaufzeichnung

Unter dem Menüpunkt Systemaufzeichnung kann die Ereignishistorie angezeigt werden.

Das System kann verschiedene Statusänderungen erfassen.

Die Knöpfe unter dem Logfenster gestatten die Filterauswahl in Abhängigkeit der Gewichtung.

- **Error Level:** Anzeige von nur kritischen Fehlern.
- **Warning Level:** Anzeige der Fehler, die den korrekten Betrieb beeinträchtigen könnten.
- **Download Files:** Möglichkeit zum Herunterladen der Logdateien.

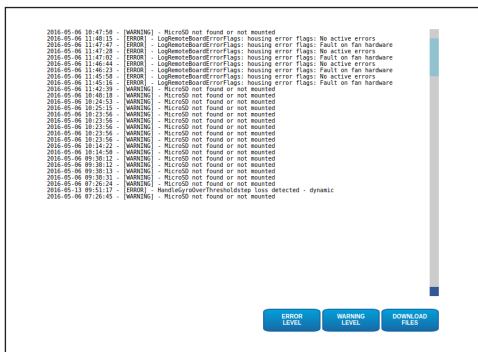


Abb. 100

### 10.3.22 Werkzeuge Seite

Im Menü-Eintrag Werkzeuge können die gesamte Konfiguration der Einrichtung oder nur bestimmte Abschnitte auf die vordefinierten Werte zurückgesetzt werden.

Außerdem kann in diesem Abschnitt:

- Die Firmware der Vorrichtung aktualisieren.
- Von der Datei die Konfiguration des Geräts speichern oder laden.
- Von der Micro-SD-Karte die Konfiguration des Geräts kopieren oder laden.
- Die Einrichtung wieder neu starten.

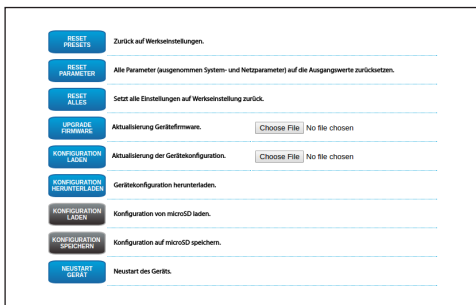


Abb. 101

# 11 Zubehör

**i** Für weitere Details zur Konfiguration und zum Gebrauch beachten Sie bitte das Handbuch des entsprechenden Geräts.

## 11.1 Waschanlage

Der Schwenk-Neige-Kopf muss mit einer externen Pumpe ausgestattet sein, die Wasser für die Reinigung des Glases liefert.

Wird der Befehl abgesendet, positioniert sich der Schwenk-Neige-Kopf mit dem Fenster vor der Düse. Es werden nun für eine bestimmte Zeit die Pumpe und der Scheibenwischer aktiviert. Am Ende des Vorgangs kehrt der S-N-Kopf in die Ausgangsposition zurück.

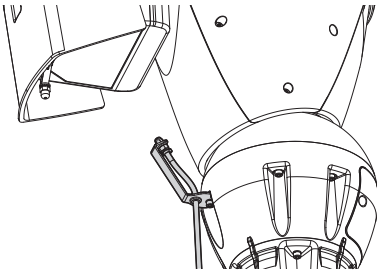


Abb. 102

**i** Für weitere Infos bitte entsprechendes Kapitel beachten (10.3.18 Seite Scheibenwaschanlage, Seite 45).

## 11.2 Bügelhalterung für LED-Scheinwerfer

Für die Installation der LED-Scheinwerfer von VIDEOTEC muss das Gerät mit einer Bügelhalterung ausgestattet werden.

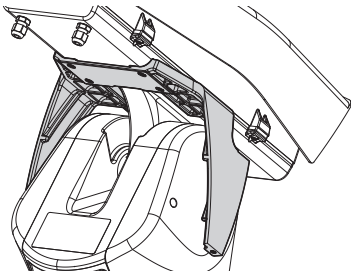


Abb. 103 UPTIRNBKT.

## 11.3 LED Scheinwerfer

Die Einheit kann mit LED-Scheinwerfern ausgestattet werden.

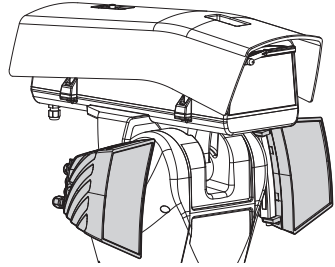


Abb. 104 UPTIRN.

**i** Für weitere Infos bitte entsprechendes Kapitel beachten (8.7 Montage der Scheinwerfer mit LED (fakultativ), Seite 27).

## 11.4 Wandhalterung

Wandhalterung mit interner Kabelführung.

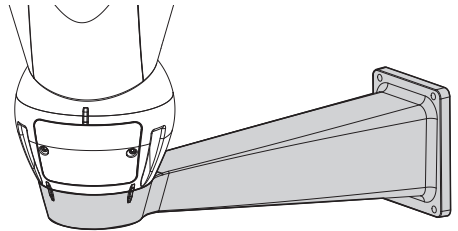


Abb. 105 UPTWBA.

## 11.5 Halterung für Brüstungsmontage

Brüstunghalterung mit interner Kabelführung.

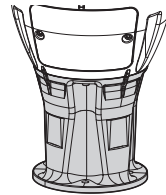


Abb. 106 UPTWBTAB.

## 11.6 Kamera-Modul sichtbar

Die Einheit kann mit einer Spektralkamera ausgestattet werden.

Add-on Kamera Full HD1080p, 30x (4.3-129mm), 60fps, Temperatur bis zu +65°C.

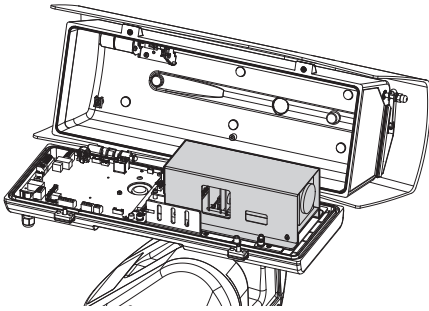


Abb. 107 CAMHD30X.

**i** Für weitere Infos bitte entsprechendes Kapitel beachten (7.4.6 Installation des Kameramoduls sichtbar (Sonderausstattung), Seite 20).

## 11.7 Heizbares Vereisungsschutz-Glas

Das Produkt kann mit einer beheizten Eisschutzscheibe ausgestattet werden.

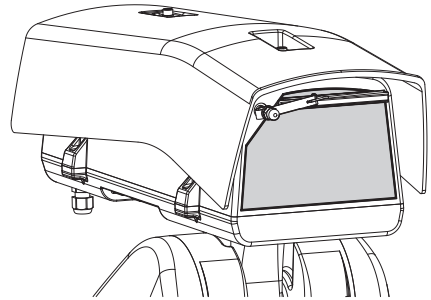


Abb. 108 UPTBVTR.

**i** Für weitere Infos bitte entsprechendes Kapitel beachten (7.4.7 Installation des oberen Gehäusekorpus mit beheizter Eisschutzscheibe und Scheibenwischer (Sonderausstattung), Seite 21).

## 12 Wartung



**Vor technischen Eingriffen am Gerät muss die Stromversorgung unterbrochen werden.**



**Die Wartung darf nur von Fachleuten vorgenommen werden, die befähigt sind, an elektrischen Schaltkreisen tätig zu werden.**

Bei Kontaktaufnahme mit dem Kundendienst von VIDEOTEC oder einem autorisiertem Servicezentrum muss die Seriennummer des Produkts mitgeteilt werden (4.3 Kennzeichnung des Produkts, Seite 11 e 10.3.4 Geräteparameter Seite, Seite 39).

### 12.1 Wechsel der Sicherungen



**ACHTUNG! Damit ein ständiger Brandschutz garantiert wird, sind die Sicherungen nur in dem gleichen Typ und Wert zu ersetzen. Die Sicherungen sind nur von Fachleuten zu ersetzen.**

Im Bedarfsfall können die Sicherungen der Karte der Verbindungsstecker ausgewechselt werden (8.2.1 Beschreibung der Karte Anschlüsse, Seite 23). Die neuen Sicherungen müssen den Angaben der Tabelle entsprechen.

| WECHSEL DER SICHERUNGEN |                      |                       |                     |
|-------------------------|----------------------|-----------------------|---------------------|
| Spannung                | Sicherung F1         | Sicherung F2          | Sicherung F3        |
| 24Vac,<br>50/60Hz       | T 10A H 250V<br>5x20 | T 6.3A H 250V<br>5x20 | T 4A H 250V<br>5x20 |
| 120Vac,<br>50/60Hz      | T 4A H 250V<br>5x20  |                       |                     |
| 230Vac,<br>50/60Hz      | T 4A H 250V<br>5x20  |                       |                     |

Tab. 9

## 13 Reinigung

### 13.1 Reinigung des Glases und der Kunststoffteile



**Zu vermeiden sind Äthylalkohol, Lösungsmittel, hydrierte Kohlenwasserstoffe, starke Säuren und alkalische Lösungen. Diese Produkte können die behandelte Oberfläche beschädigen.**

Es wird empfohlen, ein weiches Tuch und neutrale mit Wasser verdünnte Seife oder ein spezifisches Reinigungsmittel für Brillengläser zu verwenden.

### 13.2 Putzen des Germaniumfensters



**Bei der Reinigung des Fensters ist darauf zu achten, dass die mit Carbon Coating behandelte Oberfläche nicht verkratzt oder gerillt wird. Wenn diese Beschichtung Schaden nimmt, besteht die Gefahr, dass die Durchlässigkeit der Oberfläche für Infrarotstrahlen beeinträchtigt wird.**

Die Reinigung sollte mit einer milden Seife mit Wasser verdünnt erfolgen.

## 14 Müllentsorgungsstellen



**Dieses Symbol und das entsprechende Recycling-System gelten nur für EULänder und finden in den anderen Ländern der Welt keine Anwendung.**

Ihr Produkt wurde entworfen und hergestellt aus qualitativ hochwertigen Materialien und Komponenten, die recycelt und wiederverwendet werden können.

Dieses Symbol bedeutet, daß elektrische und elektronische Geräte am Ende ihrer Nutzungsdauer von Hausmüll getrennt entsorgt werden sollen.

Bitte entsorgen Sie dieses Gerät bei Ihrer örtlichen Sammelstelle oder im Recycling Centre.

In der Europäischen Union gibt es unterschiedliche Sammelsysteme für Elektrik- und Elektronikgeräte.

# 15 Problemlösung

**i** **Kontaktieren Sie bitte den Kundendienst von VIDEOTEC oder das autorisierte Servicezentrum bei jedem nicht beschriebenen Problem oder falls das aufgelistete Problem weiterhin bestehen sollte.**

**PROBLEM** Das Produkt lässt sich nicht einschalten.

**URSACHE** Falsche Verkabelung, Schmelzsicherungen durchgebrannt.

**LÖSUNG** Anschlüsse prüfen. Die Kontinuität der Sicherungen überprüfen und im Falle eines Defektes müssen sie durch die aufgeführten Modelle ersetzt werden.

**PROBLEM** Unter bestimmten Zoom-Bedingungen kommt es zur Interferenz des Gehäuses oder des Sonnenschutzdaches im aufgenommenen Bild (nur für Versionen mit motorisierter Optik).

**URSACHE** Position der Videokamera oder Optik im Verhältnis zum Fenster zu sehr zurückgesetzt.

**LÖSUNG** Die Position der Videokamera und der Optik einstellen.

**PROBLEM** Die Softwareschnittstelle zeigt folgende Meldung:

**ULISSE2**

**WARNUNG**

**Werkseinstellung zurückgesetzt ist noch aktiv.**

Befolgen Sie die Anweisungen auf die Werkseinstellungen zurückgesetzt vervollständigen.

- Einheit abschalten.
- Die kleine Klappe der Steckverbinder öffnen.
- Den DIP-Schalter 1 spezifizieren. Schalter 2 auf OFF setzen.
- Die kleine Klappe der Steckverbinder schließen.
- Die Einheit mit Strom versorgen.

Videotec S.p.A.

**URSACHE** Der Dipschalter steht durch die werkseitigen Anfangseinstellungen (Factory Default) auf ON.

**LÖSUNG** Die Anweisungen aus dem folgenden Kapitel befolgen (8.3.2 Beschreibung des Vorgangs Factory Default (werkseitige Anfangseinstellungen), Seite 26).

**PROBLEM** Die Softwareschnittstelle zeigt folgende Meldung:

**Synchronisationsproblem**

**i** Gerät ist nicht mit der PC-Zeit synchronisiert.  
Aus diesem Grund konnte einige VMS nicht ordnungsgemäß mit dem Gerät arbeiten.  
Zum Setup Synchronisierungsmechanismus gehe zu Seite Netzwerk.

**URSACHE** Auf den NTP-Server kann nicht zugegriffen werden oder er ist nicht konfiguriert.

**LÖSUNG** Den Server auf seinen effektiven Betrieb überprüfen. Auf der Seite für die Netzwerkconfiguration die Richtigkeit der Einstellungen überprüfen. Sollte kein Server vorhanden sein, kann das Gerät mit dem Datum und der Uhrzeit des PC, der die Einheit steuert, synchronisiert werden (Datum und Uhrzeit werden beim nächsten Neustart zurückgesetzt).

**PROBLEM** In der Systemlogdatei wird die Fehlermeldung angezeigt: Fehler an den Scheinwerfern oder Versorgungsfrequenz nicht im zulässigen Bereich.

**URSACHE** Die Sicherung F3 ist beschädigt oder die Versorgungsspannung liegt außerhalb des vorgegebenen Bereichs.

**LÖSUNG** Die Kontinuität der Sicherung überprüfen und im Schadensfall austauschen. Die Frequenz der Versorgungsleitung des Schwenk-Neige-Kopfs überprüfen.

**PROBLEM** In der Systemlogdatei wird die Fehlermeldung angezeigt: **MicroSD**

...

**URSACHE** Das System kann die installierte Micro-SD-Karte nicht nutzen.

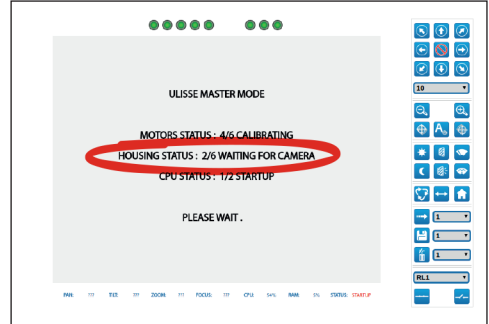
**LÖSUNG** Die Kompatibilität der Micro-SD-Karte mit dem System überprüfen. Bei Fehlfunktionen die Micro-SD-Karte austauschen.

**PROBLEM** In der Systemlogdatei werden die Fehler **Error on heater hardware, Error on demist hardware und Error on fan hardware** angezeigt.

**URSACHE** Das System erfasst den Hauptschlitten im Gehäuse nicht ordnungsgemäß.

**LÖSUNG** Die richtige Installation des Hauptschlittens überprüfen.

**PROBLEM** Die Softwareschnittstelle zeigt folgende Meldung:



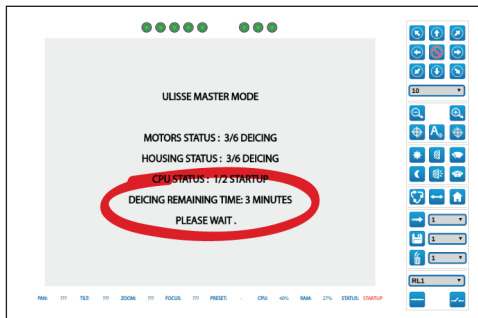
**URSACHE** Falscher Anschluss oder falsche Konfiguration der Kamera.

**LÖSUNG** Die Spannungsversorgung und das Ethernetkabel der Kamera überprüfen. Überprüfen, dass die Vorkonfiguration der Kamera und die Hardwarekonfiguration des Geräts durchgeführt wurde.

**URSACHE** Falsche Konfiguration des Protokolls ONVIF bei der Kamera.

**LÖSUNG** Die Aktivierung des Protokolls ONVIF und die Zugangsdaten der Kamera überprüfen.

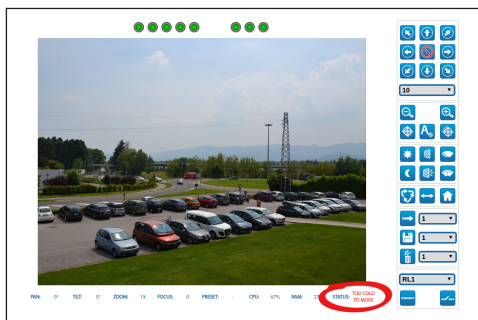
**PROBLEM** Beim Anschalten bleibt der Schwenk-Neige-Kopf blockiert und die Softwareschnittstelle zeigt folgende Meldung:



**URSACHE** Die Umgebungs-temperatur ist sehr niedrig.

**LÖSUNG** Ende des Vorheizvorgangs abwarten.

**PROBLEM** Die Softwareschnittstelle zeigt folgende Meldung:



**URSACHE** Die Umgebungstemperatur ist zu niedrig.

**LÖSUNG** Die Bewegungen des S-N-Kopfes sind blockiert, um mechanische Schäden zu vermeiden.

**PROBLEM** Mit motorisierter Optik kann keine Fokussierung des Bildes erfolgen:

**URSACHE** Einstellung des Backfokus nicht korrekt.

**LÖSUNG** Folgenden Vorgang durchführen. Dabei ein Subjekt mit mindestens 20 m Abstand aufnehmen.

- 1-Die Irisblende vollständig öffnen
- 2-Auf maximale Brennweite (Tele) zoomen.
- 3-Das Subjekt mittels Focus far / Focus near fokussieren.
- 4-Auf Anfangsbrennweite (Wide) zoomen.
- 5-Die Fokussierung durch den Einstellmechanismus Backfokus der Kamera vornehmen.
- 6-Auf maximale Brennweite (Tele) zoomen und das Subjekt mit Focus far / Focus near fokussieren.
- 7-Auf Anfangsbrennweite (Wide) zoomen und die korrekte Fokussierung überprüfen.

# 16 Technische Daten

## 16.1 Allgemeines

Konstruktion aus Aluminiumdruckguss und Technopolymer

Pulverlackierung mit Epoxydpolyester, Farbe RAL9002

Topmount

Die Installation wird durch die Verwendung eines einzigen Sechskantschlüssels und unverlierbarer Schrauben erleichtert

Sehr flüssige Bewegung

Zahnriemenantrieb ohne mechanisches Spiel

Positionserfassung Pan / Tilt / Zoom mittels ONVIF

Slip-ring

Elektronische Endschalter

Vorinstallierter Wischer

Steckplatz für Micro-SD-Karte zur Speicherung der Konfiguration und des Logs

Gehäuse mit Lüftersystem mit Zwangsluft

Abgleich mechanischer Nullpunkt Horizontalachse (Pan Offset)

Konfigurierbar elektronische Endlagen Vertikal- und Horizontalachsen

## 16.2 Mechanik

Kabelverschraubungen: 2xM20 + 1xM16 + Spezialdichtung für Kabel RJ45

Horizontale Drehung: kontinuierlich

Neigung: +90° bis -40°

- Schwenkgeschwindigkeit einstellbar: von 0.02°/s bis 100°/s (von 0.02°/s bis 50°/s mit Scheinwerfern)
- Neigegegeschwindigkeit Auf-Ab einstellbar: von 0.02°/s bis 50°/s (von 0.02°/s bis 50°/s mit Scheinwerfern)

Mit Add-on-Kamera sowie Motorobjektiven mit Potenziometern reduziert die Einheit abhängig vom Zoom automatisch die Geschwindigkeit

Genauigkeit beim Aufruf der Preset- Positionen: 0.02°

Innere Nutzabmessungen (WxHxL): 100x100/60x414mm (Siehe Zeichnungen)

Einheitsgewicht: 20.4kg

Gehäuse mit Seitenöffnung



## 16.3 Fenster für Gehäuse

Fenster für Megapixel-Kameras: (WxH) 125x91mm

Fensterscheibe aus Germanium (Nutzdurchmesser: 61mm)

- Stärke: 2mm
- Außenbehandlung: kratzfest Hard Carbon Coating (DLC) + blendfrei
- Innenbehandlung: blendfrei
- Spektralbereich: von 7.5µm bis zu 14µm
- Mittel Transmittanz (von 7.5µm bis zu 11.5µm): 90%
- Mittel Transmittanz (von 11.5µm bis zu 14µm): 77%

Fensterscheibe aus Germanium (Nutzdurchmesser: 66mm)

- Stärke: 4mm
- Außenbehandlung: kratzfest Hard Carbon Coating (DLC) + blendfrei
- Innenbehandlung: blendfrei
- Spektralbereich: von 8µm bis zu 14µm

## 16.4 Elektrik

Versorgungsspannung/Stromaufnahme:

- 230Vac ±10%, 1.1A, 50/60Hz
- 24Vac ±10%, 10A, 50/60Hz
- 120Vac ±10%, 2A, 50/60Hz

Leistungsaufnahme:

- 27W, S-N-Kopf unbewegt, ohne Heizung, ohne Kamera
- 34W, S-N-Kopf unbewegt, ohne Heizung, Kamera 30fach
- 49W, S-N-Kopf in Bewegung, ohne Heizung, Kamera 30fach
- 97W, S-N-Kopf in Bewegung, laufende Heizung, Scheinwerfer ausgeschaltet
- 157W, S-N-Kopf in Bewegung, laufende Heizung, Scheinwerfer eingeschaltet, Kamera 30fach

Querschnitt Signalkabel: von 0.5mm<sup>2</sup> (20AWG) bis zu 1.5mm<sup>2</sup> (16AWG)

Eigengespeiste Alarめingänge: 4

Relaisausgänge: 2 (1A, 30Vac/dc max.)

System mit thermogeregelter warmer Zwangsluft verhindert die Kondensatbildung am Fenster

System mit eigenbeheizter Scheibe gegen Vereisung, max. 7W (Sonderausstattung)

## 16.5 Netzwerk

Ethernet-Verbindung: 100 Base-TX

- Netzwerkprotokolle: IPv4, HTTP, Bonjour, DNS, NTP, RTSP, RTP, TCP, UDP, IGMP, RTCP, ICMP, DHCP, ARP, ONVIF Profil S
- Unterstützte Schutzsysteme: Passwortschutz (digest-authentication und ws-security)

## 16.6 Kamera

### Eigenschaften installierbarer Videokameras

Art der Kommunikation mit der IP-Kamera:

- der Schwenk-Neige-Kopf steuert die IP-Kamera mittels ONVIF S (PTZ Master)
- die Kamera steuert den Schwenk-Neige-Kopf über den seriellen Anschluss RS485 (Camera Master)

Auswahl des Modus für die Kommunikation mit der IP-Kamera: über Dipschalter

Nominelles Bitrate Videostreaming (Summe aller Kamera-Streamings): 60 Mbit/s

Konfiguration der IP-Kamera durch Direktverbindung mit der Kamera-Webseite

PTZ-Steuerung (nur im Modus Camera Master): RS485, Protokoll Pelco-D, baudrate: 9600 baud

Spannungsversorgung der Kamera: 12V, 1,5A max. mit Enteisungsfunktion

Spannungsversorgung Motoren der Objektive: 6-9-12-15 Vdc, 200 mA max.

Spannungsversorgung Potenziometer der Objektive: 5 V, 15 mA max.

Steuerung der Objektive: gemeinsamer Draht ZF, getrennter Draht ZF oder RS485

Trigger für Autofocus Motorobjektiv: Relais

Triggersteuerung Autofokus Objektiv: 500 ms Impuls, 15 s Impuls, Schließerkontakt, Öffnerkontakt

Day/Night-Synchronisierung der Kamera: ONVIF oder Relais

Export Kamera-I/O: 1 eigengespeister Eingang, 1 Relaisausgang

Höchstgewicht Kamera + Objektiv: 2.3 kg

### Zusätzliche Add-on-Kamera VIDEOTEC (Art.-Nr. CAMHD30X)

Day/Night Full HD 30x

Image Sensor: 1/2.8 Typ Exmor™ CMOS Sensor

Effektive Pixel: ca. 2.38 Megapixels

Mindestbeleuchtung, Farbe (ICR-OFF):

- 1.4lx, 1/30s, 50 IRE (Normal-Modus)
- 0.35lx, 1/30s, 50 IRE (Hohe Empfindlichkeit)
- 0.19lx, 1/3s, 50 IRE (Normal-Modus)
- 0.05lx, 1/3s, 50 IRE (Hohe Empfindlichkeit)

Mindestbeleuchtung, B/W (ICR-ON):

- 0.05lx, 1/30s, 50 IRE (Normal-Modus)
- 0.013lx, 1/30s, 50 IRE (Hohe Empfindlichkeit)
- 0.002lx, 1/3s, 30 IRE (Hohe Empfindlichkeit)

Objektiv: f=4.3 mm (wide) ~ 129.0 mm (tele), von F1.6 bis F4.7

Optischer Zoom: 30x (360x mit digitalem Zoom)

Horizontale Blickwinkel: 63.7° (wide end), 2.3° (tele end)

Mindestentfernung des Objekts: 10mm (wide) ~ 1200mm (tele)

Electronic Shutter: 1/1 bis 1/10000 s, 22 Schritte

Weißabgleich: Auto, ATW, Innen, Außen, Outdoor Auto, Sodium Vapor Lamp (Fix, Auto, Outdoor Auto), One-push, Manuell

Gain: Auto, Manuell, Verstärkungsgrenze (von 3dB bis zu 43dB, Schritte: 3dB)

Wide Dynamic Range: On/Off/verbesserte Sicht, Lichtniveau, Auswahl der Helligkeitskompensation, Lichtkompensation Niveau

Focus System: Auto (Empfindlichkeit: Normal, Gering), Manuell, Trigger PTZ

Belichtungskontrolle: Auto, EV Compensation, Manuell, Priorität (Shutter Priority, Iris Priority), Helligkeit, Slow AE

S/N Ratio: 50dB

Wide-D (wide dynamic range): 130dB

De-fog: On/Off

Geschwindigkeit proportional zum Zoom

Zonenweise Maskierung (Schwenkwinkel (Pan) oder Schwenk-Neigungs-Winkel (Pan und Tilt))

Elektronischer Stabilisator

## 16.7 Umgebung

Innen/Außen

Betriebstemperatur: von -40°C bis zu +65°C

Eingreifen der Enteisungsfunktion: von -40°C bis zu -10°

Windfestigkeit

- S-N-Kopf unbewegt: 220 km/h max
- S-N-Kopf in Bewegung, mit der maximalen Geschwindigkeit, mit LED Scheinwerfern: 140km/h max

Relative Luftfeuchtigkeit: von 10% bis zu 95% (keine Kondensation)

## 16.8 Zertifizierungen

Elektrische Sicherheit (CE): EN60950-1, IEC60950-1

Elektromagnetische Verträglichkeit (CE): EN50130-4, EN61000-6-4, EN55022 (Klasse A), EN55032 (Klasse A), FCC Part 15 (Klasse A)

Außeninstallation (CE): EN60950-22, IEC60950-22

Schutzart IP: EN60529, IP66

Salznebelbeständig: EN50130-5, EN60068-2-52

UL-Zertifizierung: cULus Listed, TYPE 4X (nur Versionen 24 Vac und 120 Vac)

EAC-Zertifizierung

Vibrationstest: EN50130-5 Cl. 22, Cl. 23 (EN60068-2-6)

# 17 Technische Zeichnungen



Die Abmessungen der Zeichnungen sind in Millimeter angegeben.

DE - Deutsch - Bedienungsanleitung

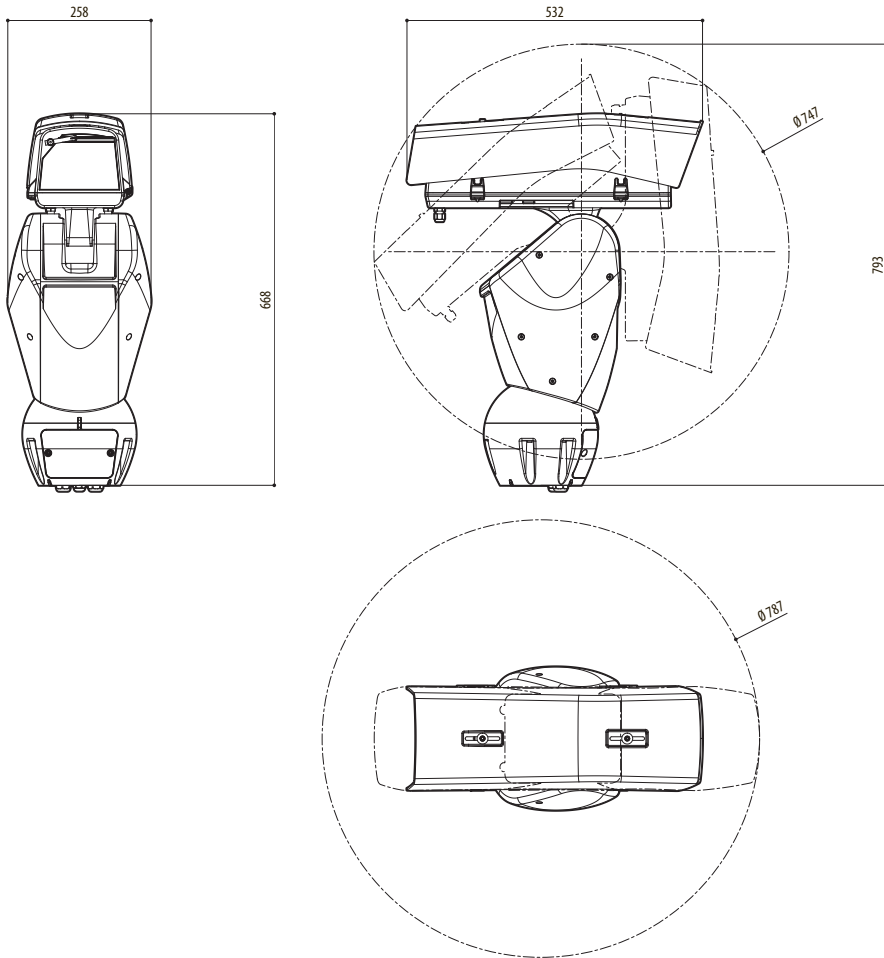


Abb. 109 ULISSE2.

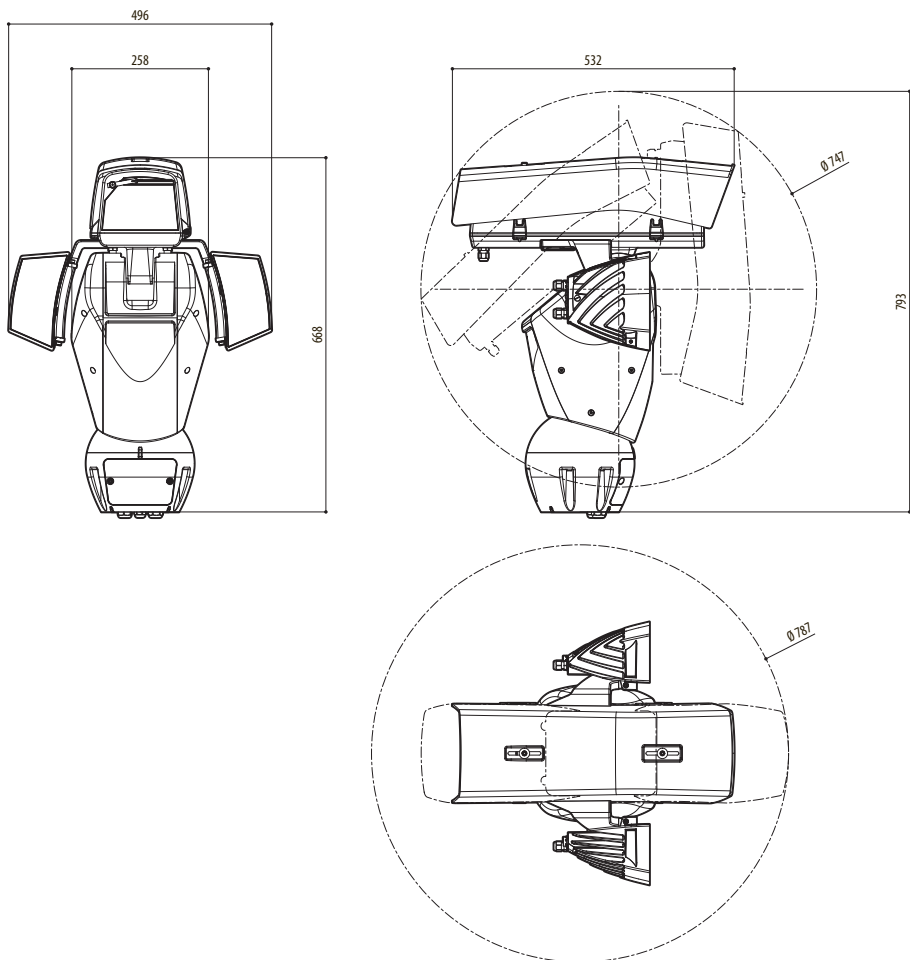


Abb. 110 ULISSE2, Ausführung mit zwei LED-Scheinwerfern.

FENSTERSCHEIBE  
AUS GERMANIUM

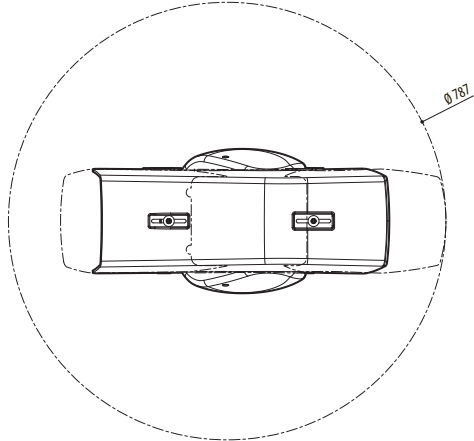
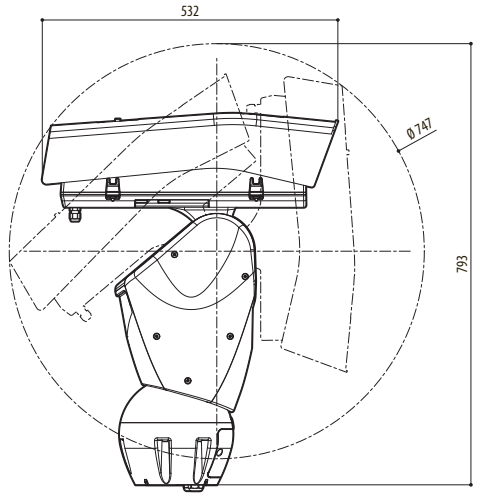
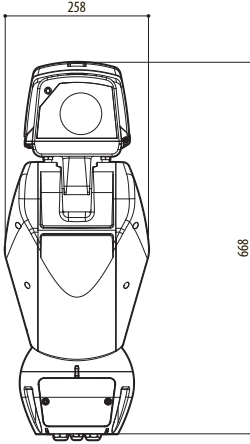
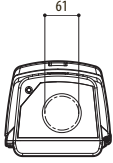
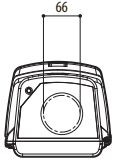
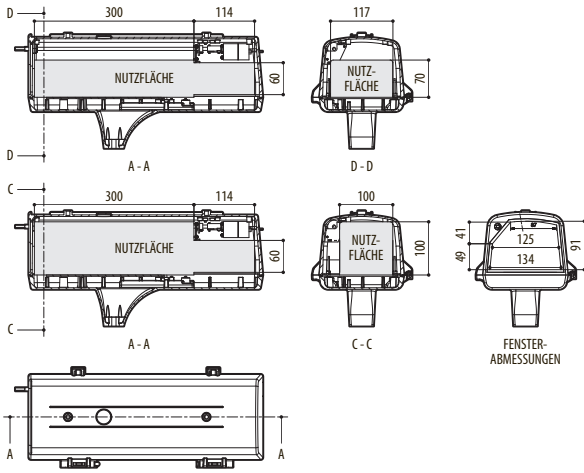


Abb. 111 ULISSE2, Version für Wärmebildkameras.



**Abb. 112** ULISSE2, Gehäuse.

**Headquarters Italy** Videotec S.p.A.

Via Friuli, 6 - I-36015 Schio (VI) - Italy  
Tel. +39 0445 697411 - Fax +39 0445 697414  
Email: info@videotec.com

**Asia Pacific** Videotec (HK) Ltd

Flat 8, 19/F. On Dak Industrial Building, No. 2-6 Wah Sing Street  
Kwai Chung, New Territories - Hong Kong  
Tel. +852 2333 0601 - Fax +852 2311 0026  
Email: info.hk@videotec.com

**France** Videotec France SARL

Immeuble Le Montreal, 19bis Avenue du Québec, ZA de Courtaboeuf  
91140 Villebon sur Yvette - France  
Tel. +33 1 60491816 - Fax +33 1 69284736  
Email: info.fr@videotec.com

**Americas** Videotec Security, Inc.

Gateway Industrial Park, 35 Gateway Drive, Suite 100  
Plattsburgh, NY 12901 - U.S.A.  
Tel. +1 518 825 0020 - Fax +1 518 825 0022  
Email: info.usa@videotec.com - www.videotec.com



www.videotec.com

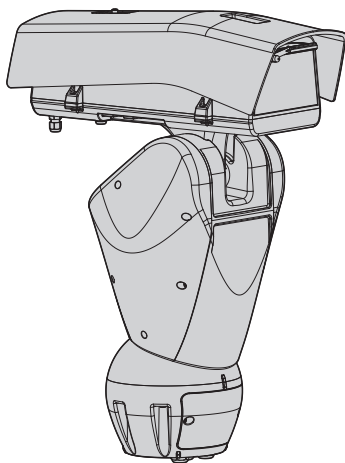
**MNVCU2\_1638\_DE**





# ULISSE2

Универсальное PTZ-устройство Full IP для IP камер





# Содержание

|          |  |           |
|----------|--|-----------|
| <b>1</b> | <b>О настоящем руководстве.....</b>  | <b>7</b>  |
| 1.1      | Типографские условные обозначения.....   | 7         |
| <b>2</b> | <b>Примечания в отношении авторского права и информация о торговых марках .....</b>                            | <b>7</b>  |
| <b>3</b> | <b>Правила техники безопасности .....</b>  | <b>8</b>  |
| <b>4</b> | <b>Обозначение.....</b>  | <b>10</b> |
| 4.1      | Описание и обозначение типа устройства .....   | 10        |
| 4.2      | Общий вид изделия .....  | 10        |
| 4.3      | Маркировка изделия .....   | 11        |
| 4.3.1    | Проверка маркировки .....  | 11        |
| <b>5</b> | <b>Модели.....</b>   | <b>11</b> |
| 5.1      | Германиевое окно .....   | 11        |
| <b>6</b> | <b>Подготовка устройства к использованию .....</b>   | <b>12</b> |
| 6.1      | Меры безопасности перед использованием.....  | 12        |
| 6.2      | Распаковка .....   | 12        |
| 6.3      | Комплект оборудования .....  | 12        |
| 6.4      | Безопасная утилизация упаковочных материалов.....  | 12        |
| 6.5      | Подготовительные работы перед установкой.....  | 13        |
| 6.5.1    | Установка кронштейна.....  | 13        |
| 6.5.2    | Кабельная укладка.....   | 13        |
| 6.5.3    | Предварительная настройка камер других производителей.....   | 13        |
| <b>7</b> | <b>Монтаж .....</b>  | <b>14</b> |
| 7.1      | Характеристики камер.....  | 14        |
| 7.2      | Установка солнцезащитного козырька .....   | 14        |
| 7.3      | Монтаж камеры и объективов с приводом .....  | 14        |
| 7.3.1    | Как открыть кожух.....   | 14        |
| 7.3.2    | Установка камеры .....   | 15        |
| 7.4      | Подключение камеры и объектива с приводом .....  | 17        |
| 7.4.1    | Описание платы кожуха .....  | 17        |
| 7.4.2    | Максимальные номинальные значения камеры и объектива с приводом .....  | 18        |
| 7.4.3    | Подключение камеры к сети .....  | 18        |
| 7.4.4    | Подключение регулируемых объективов с приводом при включении питания.....                                      | 19        |
| 7.4.4.1  | Подключение объективов с приводами обратной полярности.....  | 19        |
| 7.4.4.2  | Подключение объективов с приводами на общем проводе.....   | 19        |
| 7.4.4.3  | Регулирование напряжения питания приводов объективов.....  | 19        |
| 7.4.4.4  | Подключение потенциометров .....   | 19        |
| 7.4.4.5  | One Push Autofocus .....   | 20        |
| 7.4.5    | Подключение объективов с приводами, управляемых через последовательную линию.....                              | 20        |
| 7.4.6    | Установка модуля камеры видимого спектра (опция) .....   | 20        |
| 7.4.7    | Установка верхней части кожуха с противообледенительным обогреваемым стеклом и стеклоочистителем (опция) ..... | 21        |
| 7.4.8    | Закрытие корпуса.....  | 21        |
| <b>8</b> | <b>Монтаж .....</b>  | <b>21</b> |

|  |           |
|--|-----------|
| 8.1 Крепление основания к опорной конструкции .....                                      | 21        |
| 8.2 Подсоединение поворотного устройства к системе .....                                 | 23        |
| 8.2.1 Описание платы подключения.....  | 23        |
| 8.2.2 Подключение линии питания .....  | 23        |
| 8.2.3 Подключение сигнального кабеля.....  | 24        |
| 8.2.3.1 Подключение Ethernet-кабеля .....  | 24        |
| 8.2.3.2 Подключение входов сигнала тревоги, сумеречного выключателя и реле.....          | 24        |
| 8.3 Выбор рабочего режима устройства.....  | 25        |
| 8.3.1 Описание режима выбора главного устройства (Master Selection) .....                | 25        |
| 8.3.2 Описание процедуры установки заводских настроек.....                               | 26        |
| 8.4 Закрытие крышки разъема. ....  | 26        |
| 8.5 Установка карты памяти.....  | 26        |
| 8.6 Крепление верхней части кожуха.....  | 27        |
| 8.7 Установка светодиодных осветителей (дополнительные функции) .....                    | 27        |
| 8.7.1 Установка кронштейна.....  | 27        |
| 8.7.2 Установка осветителя на кронштейне .....   | 28        |
| 8.8 Подключение светодиодных осветителей.....  | 29        |
| 8.9 Регулировка и режим включения светодиодных осветителей .....                         | 29        |
| 8.9.1 Регулировка порога включения светодиодных осветителей.....                         | 30        |
| 8.9.2 Регулировка мощности светодиодных осветителей .....                                | 30        |
| 8.9.3 Включение светодиодных осветителей с помощью внешнего сумеречного выключателя..... | 31        |
| 8.9.4 Включение светодиодных осветителей при помощи встроенного сумеречного датчика..... | 31        |
| 8.9.5 Включение светодиодных осветителей при помощи камеры.....                          | 31        |
| 8.9.6 Включение светодиодных осветителей вручную.....                                    | 31        |
| <b>9 Включение .....</b>   | <b>32</b> |
| <b>10 Конфигурация .....</b>   | <b>32</b> |
| 10.1 Заданный по умолчанию IP-адрес .....  | 32        |
| 10.2 Определение MAC-адреса .....  | 32        |
| 10.3 Веб-интерфейс.....  | 33        |
| 10.3.1 Первый вход на веб-страницу.....  | 33        |
| 10.3.2 Страница настройки аппаратных средств (Hardware Configuration Page) .....         | 33        |
| 10.3.3 Главная страница (Home Page).....   | 36        |
| 10.3.3.1 Снимок экрана.....  | 36        |
| 10.3.3.2 Статус системы.....   | 36        |
| 10.3.3.3 Горизонтальное и вертикальное перемещение .....                                 | 37        |
| 10.3.3.4 Управление объективом.....  | 37        |
| 10.3.3.5 Управление стеклоочистителем и моющей установкой.....                           | 37        |
| 10.3.3.6 Управление режимом "день-ночь".....   | 37        |
| 10.3.3.7 Управление подчиненным осветителем .....  | 37        |
| 10.3.3.8 Управление предварительными настройками .....                                   | 38        |
| 10.3.3.9 Управление статусом реле и сигнала тревоги.....                                 | 38        |
| 10.3.3.10 Управление устройством с помощью клавиатуры .....                              | 38        |
| 10.3.4 Страница параметров устройства (Device Parameters Page).....                      | 39        |
| 10.3.5 Страница статистики устройства .....  | 39        |
| 10.3.6 Страница сети (Network Page).....   | 39        |
| 10.3.7 Страница пользователей (Users Page) .....   | 40        |
| 10.3.8 Страница движений (Movements Page).....   | 40        |
| 10.3.9 Страница автоматического панорамного наблюдения (Autopan Page) .....              | 41        |
| 10.3.10 Страница патрулирования (Patrol Page).....                                       | 41        |

|           |  |           |
|-----------|--|-----------|
| 10.3.11   | Страница вызова движения (Motions Recall Page).....                  | 41        |
| 10.3.12   | Страница предварительно установленных параметров (Preset Page) ..... | 42        |
| 10.3.13   | Страница предварительных настроек (Дополнительно).....               | 42        |
| 10.3.14   | Страница цифровых входов (Digital Inputs Page).....                  | 42        |
| 10.3.15   | Страница цифровых выходов (Digital Outputs Page).....                | 43        |
| 10.3.16   | Страница вспомогательных команд (Auxiliary Commands Page) .....      | 43        |
| 10.3.17   | Страница режима "ночь" (Night Mode Page) .....                       | 44        |
| 10.3.18   | Страница моющей системы .....  | 45        |
| 10.3.19   | Страница настроек камеры (Camera Setting Page).....                  | 46        |
| 10.3.19.1 | Камера другого производителя.....                                    | 46        |
| 10.3.19.2 | Модуль камеры видимого спектра.....                                  | 46        |
| 10.3.20   | Страница маскировки (Masking Page).....                              | 48        |
| 10.3.21   | Страница системного журнала (System Log Page).....                   | 49        |
| 10.3.22   | Страница инструментов (Tools Page) .....                             | 49        |
| <b>11</b> | <b>Комплектуемые .....</b>   | <b>50</b> |
| 11.1      | Омыватель (Washer) .....   | 50        |
| 11.2      | Опорный кронштейн для светодиодных осветителей .....                 | 50        |
| 11.3      | Светодиодные осветители .....  | 50        |
| 11.4      | Кронштейн для крепления на стене.....                                | 50        |
| 11.5      | Кронштейн для крепления параллельно потолку .....                    | 50        |
| 11.6      | Модуль камеры видимого спектра .....                                 | 51        |
| 11.7      | Обогреваемое стекло с защитой от обледенения .....                   | 51        |
| <b>12</b> | <b>Техническое обслуживание .....</b>                                | <b>52</b> |
| 12.1      | Замена предохранителей.....  | 52        |
| <b>13</b> | <b>Очистка.....</b>  | <b>52</b> |
| 13.1      | Очистка окошка и пластиковой крышки.....                             | 52        |
| 13.2      | Очистка германиевого окна.....                                       | 52        |
| <b>14</b> | <b>Утилизация отходов.....</b>                                       | <b>52</b> |
| <b>15</b> | <b>Устранение неисправностей.....</b>                                | <b>53</b> |
| <b>16</b> | <b>Технические характеристики .....</b>                              | <b>56</b> |
| 16.1      | Общие характеристики .....   | 56        |
| 16.2      | Технические характеристики.....                                      | 56        |
| 16.3      | Окно кожуха.....   | 57        |
| 16.4      | Электрические характеристики .....                                   | 57        |
| 16.5      | Сеть .....   | 57        |
| 16.6      | Камера .....   | 58        |
| 16.7      | Окружающая среда .....   | 59        |
| 16.8      | Сертификаты .....  | 59        |
| <b>17</b> | <b>Технические чертежи .....</b>                                     | <b>60</b> |



# 1 О настоящем руководстве

Перед установкой и использованием этого оборудования внимательно прочтите всю предоставленную документацию. Всегда держите руководство под рукой, чтобы им можно было воспользоваться в будущем.

## 1.1 Типографские условные обозначения



### **ОПАСНОСТЬ!**

**Высокий уровень опасности. Риск поражения электрическим током. При отсутствии иных указаний отключите питание, перед тем как приступить к выполнению любой операции.**



### **ОПАСНОСТЬ!**

**Опасность механического повреждения. Риск раздавливания или отрезания.**



### **ОПАСНОСТЬ!**

**Горячая поверхность. Следует избегать контакта. Горячие поверхности могут обжечь в случае контакта.**



### **ОПАСНОСТЬ!**

**Испускание видимого света или инфракрасного излучения. Может быть вредно для глаз. Обратите внимание на данные указания.**



### **ПРЕДУПРЕЖДЕНИЕ!**

**Средний уровень опасности. Данная операция очень важна для правильной работы системы. Внимательно ознакомьтесь с описанием порядка выполнения процедуры и выполните ее согласно указаниям.**



### **ИНФОРМАЦИЯ**

**Описание характеристик системы. Рекомендуем внимательно ознакомиться с содержанием этого раздела, для того чтобы понять следующие этапы.**

## 2 Примечания в отношении авторского права и информация о торговых марках

Упомянутые названия устройств или компаний являются торговыми марками или зарегистрированными торговыми знаками.

## 3 Правила техники безопасности



**ПРЕДУПРЕЖДЕНИЕ!** Система электропитания, к которой подключается устройство, должна иметь автоматический двухполюсный выключатель цепи макс. 20 А. Этот выключатель выбирается из перечисленных в списке. Минимальное расстояние между контактами автоматического выключателя цепи должно составлять 3 мм. Выключатель цепи должен иметь защиту от тока КЗ на землю (дифференциальная защита) и защиту от перегрузки по току (термомагнитная защита).



**Перед выполнением любой операции проверьте, отключен ли источник питания.**



**ПРЕДУПРЕЖДЕНИЕ!** Опасные движущиеся детали. Следите за тем, чтобы пальцы и другие части тела были на безопасном расстоянии.



**ПРЕДУПРЕЖДЕНИЕ!** Установка и обслуживание устройства должны осуществляться только специализированным персоналом.



**ПРЕДУПРЕЖДЕНИЕ!** Для обеспечения постоянной защиты от опасности возгорания при замене предохранителей используйте только предохранители того же вида и номинала. Только обслуживающий персонал может проводить замену предохранителей.



**ПРЕДУПРЕЖДЕНИЕ!** Установка типа TNV-1. Это система типа TNV-1, не подключайте ее к SELV-схемам.



**ПРЕДУПРЕЖДЕНИЕ!** Для снижения риска возникновения пожара используйте исключительно кабели UL или CSA, сечение которых превышает или равно 0,14 мм<sup>2</sup> (26AWG).



**ПРЕДУПРЕЖДЕНИЕ!** Перед тем как открыть изделие отсоедините разъем цепи TNV.

- Производитель не несет ответственности за любые повреждения, возникающие в результате неправильного использования указанного в настоящем руководстве оборудования. Помимо этого, производитель сохраняет за собой право изменять содержание руководства без предварительного уведомления. Представленная в настоящем руководстве документация была подготовлена с большим вниманием. Однако производитель не несет ответственности за ее использование. Аналогичные условия предусмотрены в отношении любого лица или компании, привлеченных для составления и создания данного руководства.



- Не используйте кабели, которые кажутся изношенными или старыми.
- Никогда и ни при каких обстоятельствах не выполняйте изменений или подключений, не описанных в настоящем руководстве. Ненадлежащее использование оборудования может привести к возникновению серьезных опасных ситуаций, угрожающих безопасности персонала и системы.
- Используйте только оригинальные запасные части. Неоригинальные запасные части могут привести к возникновению пожара, электрического разряда или другой опасной ситуации.
- Перед монтажом проверьте соответствие поставленных материалов спецификациям заказа, сверив идентификационные ярлыки (4.3 Маркировка изделия, страница 11).
- Это устройство должно быть подключено и надежно закреплено на здании или подходящей конструкции. Устройство следует надежно закрепить и подключить перед выполнением каких-либо работ.
- Изделие разработано только для размещения телекамер, сертифицированных соответствующим образом.
- Максимальное номинальное напряжение питания камеры составляет 12Vdc, 18W (макс. 57Vdc, 13W для моделей PoE).
- Система электропитания должна также иметь выключатель источника питания, который можно легко найти и использовать в случае необходимости.
- Отдельная защитная заземляющая клемма устройства должна быть постоянно подключена к проводу заземления.
- Категория установки (также называемая категорией перенапряжения) указывает уровень сетевых скачков напряжения, которым подвержено оборудование. Эта категория зависит от местоположения оборудования и наличия каких-либо устройств защиты от скачков напряжения. Оборудование, установленное на промышленном объекте и напрямую подключенное к основному питающим линиям/коротким распределительным сетям, относится к категории установки III. В этом случае необходимо снизить категорию установки до II. Этого можно добиться путем использования изолирующего трансформатора с заземленным экраном между первичным и вторичным или путем установки UL устройств защиты от скачков напряжения на промежутке от фазы к нулю и от нуля к земле. Сертифицированные устройства защиты от скачков напряжения должны обеспечивать многократное ограничение скачков напряжения, иметь подходящий для рабочего напряжения номинал и следующую маркировку: Тип 2 (Постоянно подключенное устройство защиты от скачков напряжения, предназначенное для установки на стороне нагрузки устройства защиты служебного оборудования от токовых перегрузок); Номинальный ток разряда (In) минимум 20 кА. Например: FERRAZ SHAWMUT, STT2240SPG-CN, STT2BL240SPG-CN с номиналом 120Vac/240Vac, (In=20 кА). Максимальное расстояние между установкой и переходником составляет 5 м.
- Устройство должно быть правильно подключено к цепи заземления.
- Подключите устройство к источнику питания в соответствии с указаниями на этикетке с маркировкой. Перед тем как продолжить установку, убедитесь, что линия питания надлежащим образом изолирована. Напряжение сети питания никогда не должно превышать установленные предельные значения ( $\pm 10\%$ ).

## 4 Обозначение

### 4.1 Описание и обозначение типа устройства

ULISSE2 представляет собой PTZ-устройство с полным IP-управлением для наружного наблюдения, которое предназначено для контроля и управления всеми IP камерами и тепловизорами сторонних производителей (с протоколом ONVIF-S или оснащенных последовательным портом RS485) и предусматривает прямой доступ через браузер к интерфейсу камеры для настройки и диагностики.

Благодаря протоколам ONVIF-S полная IP-связность ULISSE2 позволяет вам управлять всеми функциями поворотного устройства и камеры, включая стеклоочиститель, насос омывателя, предварительные установки, включение осветителей и настройку с помощью наиболее распространенных на рынке программ для управления видео.

Новейшая используемая технология защиты позволила усовершенствовать некоторые характеристики нового PTZ-устройства, например, расширить температурный диапазон, который теперь составляет от -40°C до +65°C. Нагнетаемый воздух защищает устройство от запотевания, а постоянное регулирование температуры препятствует образованию конденсата и гарантирует идеальный диапазон рабочей температуры для камеры.

Светодиодные осветители можно легко установить на поворотном устройстве даже в случае их монтажа уже после установки самого устройства, при этом они не нуждаются в дополнительных источниках питания вне зависимости от типа источника питания устройства. Второй осветитель может включаться при определенных параметрах зума, в предварительно настроенных положениях или вручную, для того чтобы избежать слишком яркого освещения расположенного вблизи объекта или контролировать направление света.

PTZ-устройство оснащено стеклоочистителем, который с помощью дополнительного комплекта омывателя поддерживает стекло камеры в чистоте для обеспечения прекрасной видимости в любую погоду.

Эффективная автоматическая проверка быстро определяет состояние системы, при этом все выявленные события заносятся во внутренний журнал. Резервное копирование всей системы возможно с помощью карты Micro SD.

Упрощенный доступ к соединениям позволяет быстро и легко выполнять прокладку проводов и проводить диагностику без необходимости демонтажа оборудования. Устройство ULISSE2 можно полностью собрать с помощью одного торцового ключа (предоставляется в комплекте с оборудованием)

### 4.2 Общий вид изделия

Изделие состоит из 4 частей:

1. Верхняя часть кожуха.
2. Камера и объектив с приводом других производителей (поставляются отдельно)/Камера со встроенным объективом других производителей (поставляются отдельно)/Модуль камеры видимого спектра (комплектующая деталь).
3. Корпус.
4. Основание.

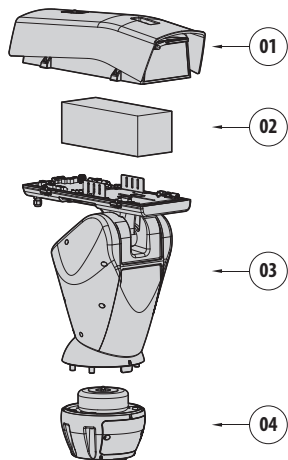


Рис. 1

## 4.3 Маркировка изделия

**i** На поворотных устройствах присутствует этикетка, соответствующая маркировке CE.

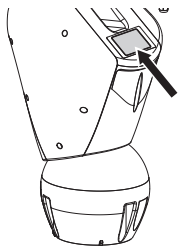


Рис. 2

На этикетке указаны:

- Идентификационный код модели (Расширенный штрих-код 3/9).
- Напряжение сети (Volt).
- Частота (Hertz).
- Потребление тока (A).
- Стандарт защиты от атмосферных воздействий (IP).
- Серийный номер.

### 4.3.1 Проверка маркировки

Перед тем как продолжить установку, убедитесь, что предоставленные материалы соответствуют спецификациям заказа, проверив этикетки с маркировкой.

Никогда и ни при каких обстоятельствах не выполняйте изменений или подключений, не описанных в настоящем руководстве. Ненадлежащее использование оборудования может привести к возникновению серьезных опасных ситуаций, угрожающих безопасности персонала и системы.

## 5 Модели

### 5.1 Германиевое окно

Модель с германиевым окном была разработана для использования в сочетании с тепловизорами.

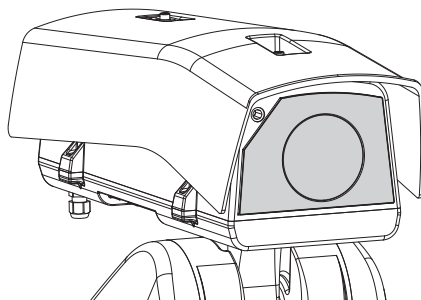


Рис. 3

## 6 Подготовка устройства к использованию



Любое изменение, которое выполняется без разрешения, явным образом предоставленного производителем, аннулирует гарантию.



Не следует демонтировать устройство или нарушать его целостность. Единственным исключением являются операции по монтажу и техническому обслуживанию, описываемые в настоящем руководстве.

### 6.1 Меры безопасности перед использованием



Оборудование включает движущиеся детали. Убедитесь, что устройство расположено в недоступном при нормальном режиме работы месте. Разместите предупреждающую этикетку, предоставленную вместе с оборудованием, рядом с устройством так, чтобы она была хорошо заметна.



Рис. 4

### 6.2 Распаковка

При доставке устройства убедитесь, что упаковка не повреждена и не имеет явных признаков падения или царапин.

В случае наличия видимых повреждений незамедлительно свяжитесь с поставщиком.

В случае возврата неисправного устройства мы рекомендуем использовать оригинальную упаковку для транспортировки.

Сохраняйте упаковку на случай, если потребуется отправить устройство на ремонт.

### 6.3 Комплект оборудования

Проверьте комплект оборудования на соответствие представленному ниже списку материалов:

- Устройство позиционирования
- Основание с подачей питания
- Упаковка комплектующих:
  - Ключ шестигранник
  - Прокладки
  - Этикетка
  - Кабельные стяжки
  - Силиконовая оболочка
  - Уплотнительные кольца переходников для кабельных сальников
- Руководство по эксплуатации
- Болты и винты
- Солнцезащитный козырек

### 6.4 Безопасная утилизация упаковочных материалов

Упаковочные материалы могут подвергаться переработке. Технический специалист установщика отвечает за сортировку материалов для переработки, а также за соблюдение требований законодательства, действующего в месте установки устройства.

## 6.5 Подготовительные работы перед установкой

### 6.5.1 Установка кронштейна

Доступны различные виды опорных конструкций (11 Комплектующие, страница 50). Выберите подходящий кронштейн для установки и выполните все инструкции из соответствующей главы.

**Особое внимание обратите на размещение и крепление оборудования. Система зажимных приспособлений должна выдерживать вес, по крайней мере в 4 раза превышающий вес всего оборудования, в том числе поворотного устройства, объективов и камеры.**

**Устройство следует монтировать вертикально. Любое другое положение может негативно отразиться на работе оборудования.**

**Не закрепляйте устройство в перевернутом состоянии.**

### 6.5.2 Кабельная укладка

**Соединительные кабели не должны быть доступны снаружи. Необходимо надежно прикрепить кабели к опорной конструкции, чтобы предотвратить их случайное вырывание под воздействием чрезмерно большого веса.**

**Необходимо использовать подходящие к типу установки кабели.**

Проложите кабели внутри опорной конструкции так, чтобы снаружи оставалось около 50 см.

Более подробная информация представлена в соответствующей главе (8.2 Подсоединение поворотного устройства к системе, страница 23).

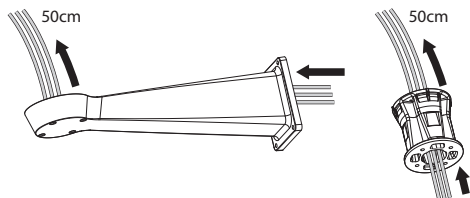


Рис. 5

### 6.5.3 Предварительная настройка камер других производителей

**Систему можно соединить с VMS (система управления видео) двумя способами: (8.3.1 Описание режима выбора главного устройства (Master Selection), страница 25). Для того чтобы использовать режим PTZ Master, камеру перед установкой в кожух необходимо настроить.**

Камеру необходимо предварительно настроить так, чтобы она могла получить IP-адрес через DHCP.

Камеру необходимо предварительно настроить так, чтобы была обеспечена связь с NTP-сервером через DHCP. Если настройка параметров NTP через DHCP невозможна, задайте следующий статический адрес NTP-сервера: 192.0.0.1.

Камеру необходимо предварительно настроить так, чтобы была обеспечена связь с поворотной опорой, используя протокол ONVIF S Profile. Уделите внимание выбору логина и пароля, которые будут использоваться для доступа к веб-настройке и для привязки устройства к VMS.

Пароль может состоять только из следующих символов (a-z, A-Z, 0-9, ,\_+@%/()^\*[]{}#;~).

Некоторые камеры могут не поддерживать представленный выше набор символов.

В случае если камера оснащена встроенным объективом, перед установкой поворотной опоры необходимо удалить все предварительные настройки камеры.

## 7 Монтаж

### 7.1 Характеристики камер

- Можно устанавливать только камеры с портом передачи данных по сети Ethernet типа 100 baseTx.
- Можно устанавливать только камеры, питание на которые подается через клеммы. Поворотное устройство не может подавать питание напрямую на кабель Ethernet (питание по кабелю Ethernet).
- Напряжение источника питания камеры должно составлять 12Vdc.
- Максимальная сила тока, поглощаемого камерой, должна быть меньше указанного ниже значения: 1.5A.

### 7.2 Установка солнцезащитного козырька

Прикрепите козырек к кожуху, используя винты и шайбы, привинченные к верхней части кожуха.

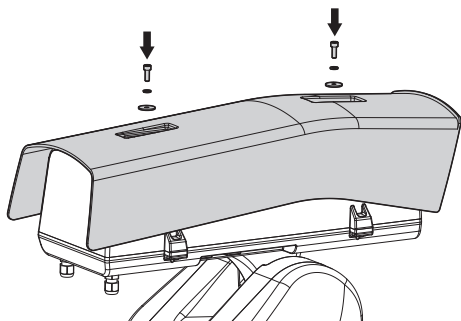


Рис. 6

Козырек рекомендуется закрепить в максимально выдвинутом вперед положении, чтобы защитить от солнечных бликов и капель воды.

### 7.3 Монтаж камеры и объективов с приводом

Клиент самостоятельно производит монтаж камеры и объективов.

#### 7.3.1 Как открыть кожух

Ослабьте 2 винта сбоку и поверните крышку и верхнюю половину корпуса в направлении открывания петли.

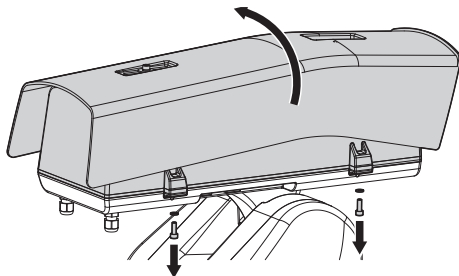


Рис. 7



**ОПАСНОСТЬ!**

**Опасность механического повреждения.  
Риск раздавливания или отрезания.**

### 7.3.2 Установка камеры

Камера и объектив должны быть установлены в кожухе на специальных салазках (используйте прилагаемые винты и шайбы). Салазки состоят из двух частей: главных салазок (01) и салазок для камеры (02).

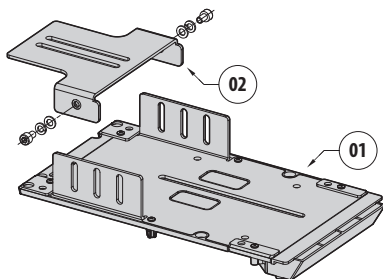


Рис. 8

Прикрепите объектив к камере. В случае использования объектива типа С и камеры типа CS, необходимо установить адаптер.

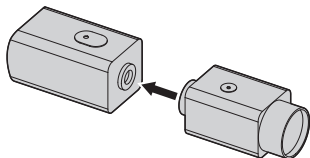


Рис. 9

Частично прикрутите винт камеры диаметром 1/4" так, чтобы салазки камеры можно было регулировать. Салазки камеры могут быть установлены в разных положениях. В зависимости от положения салазок камеры, используйте одно из двух отверстий, чтобы закрепить камеру. Для обеспечения оптимальной герметичности, используйте плоские и пружинные шайбы.

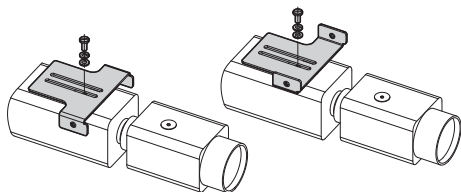


Рис. 10

В зависимости от формы и размера объектива, может потребоваться адаптер. Приложите отверстие на адаптере к отверстию на объективе.

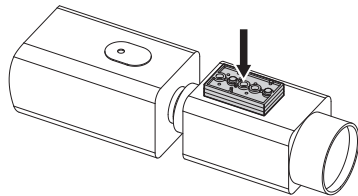


Рис. 11

Открутите винты, чтобы снять главные салазки с корпуса кожуха.

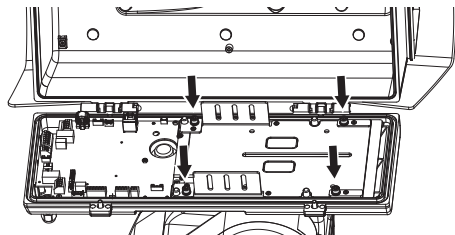


Рис. 12

Расположите камеру, объектив и салазки предварительно собранной камеры на главных салазках. Частично прикрутите винт объектива диаметром 1/4" так, чтобы его можно было регулировать на главных салазках. Для обеспечения оптимальной герметичности, используйте плоские и пружинные шайбы.

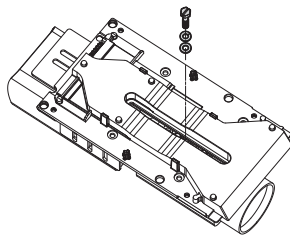


Рис. 13

Выровняйте край объектива с краем салазок.

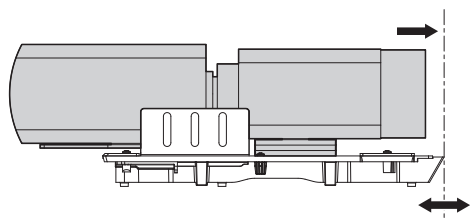


Рис. 14

После того как края будут выровнены, удерживая блок камеры и объектива в неподвижном положении, передвиньте салазки камеры к одному из 3 отверстий на главных салазках.

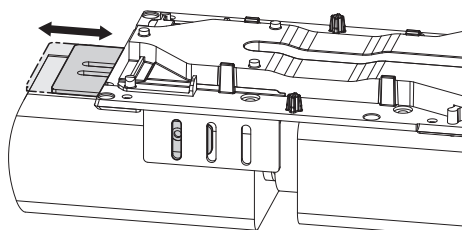


Рис. 15

После достижения оптимального положения извлеките главные салазки (сохраняя положение) и затяните винт 1/4".

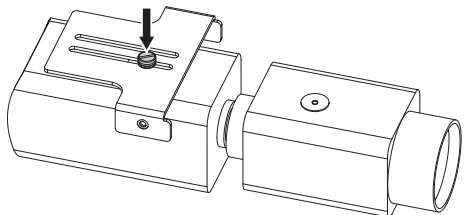


Рис. 16

Установите главные салазки обратно на блок камеры/объектива/салазок. Выровняйте отверстие салазок камеры относительно ранее выбранного отверстия (01) на главных салазках. Частично затяните винты салазок камеры (прилагаемые винты и гайки). Для обеспечения оптимальной герметичности, используйте плоские и пружинные шайбы. Затяните винт 1/4" объектива (02).

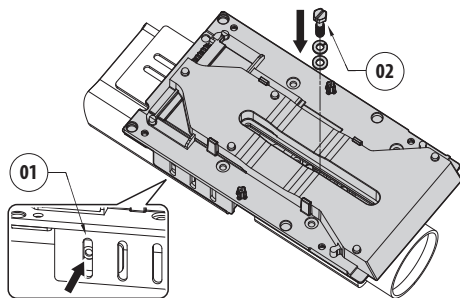


Рис. 17

Полностью затяните винты салазок камеры.

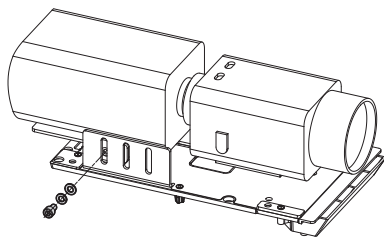


Рис. 18



**Будьте осторожны при установке.  
Момент затяжки: 2.1Nm.**



Поместите камеру в кожух и закрепите ее с помощью винтов и шайб.

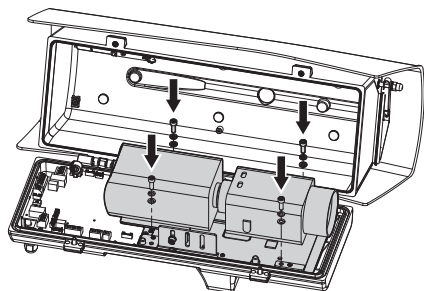


Рис. 19

**⚠ Будьте осторожны при установке. Момент затяжки: 2.1 Nm.**

## 7.4 Подключение камеры и объектива с приводом

**⚠ Перед подключением убедитесь, что напряжение, подаваемое от платы, соответствует параметрам устройства.**

Электронная плата предназначена для управления камерами с объективами с приводом, оснащенными или не оснащенными потенциометром для контроля достигаемого положения.

## 7.4.1 Описание платы кожуха

| ОПИСАНИЕ ПЛАТЫ |  |
|----------------|--|
| Элемент        | Функция  |
| J4             | Не используется  |
| J5             | RS-485 (объектив)  |
| J6             | Считывание потенциометров объектива  |
| J7             | Питание привода объектива, One Push AF   |
| J8             | Питание привода объектива, Автоматическая фокусировка одним нажатием кнопки (One-push AF), считывание потенциометров объектива |
| J9             | Фильтр, отсекающий видимый свет  |
| J10            | Питание и управление (встроенная камера)   |
| J11            | Питание и управление (Подчиненный осветитель)  |
| J12            | Диагностика платы  |
| J13            | RS-485 (камера)  |
| J14            | Источник питания камеры, вход тревоги камеры, выход тревоги камеры   |
| J15            | Питание и управление (Главный осветитель)  |
| J16            | Обогреваемое стекло  |
| J17            | Стеклоочиститель   |
| J18            | Ethernet   |
| DIP2           | Напряжение объектива   |
| DIP3           | Конфигурация кожуха  |
| LD7            | Состояние внутреннего блока питания (5V)   |
| LD8            | Состояние внутреннего блока питания (3,3V)   |
| LD9            | Состояние прошивки   |
| LD10           | Состояние питания камеры   |
| LD11           | Состояние внутреннего блока питания (12V)  |
| LD12           | Состояние блока питания PoE  |

Табл. 1

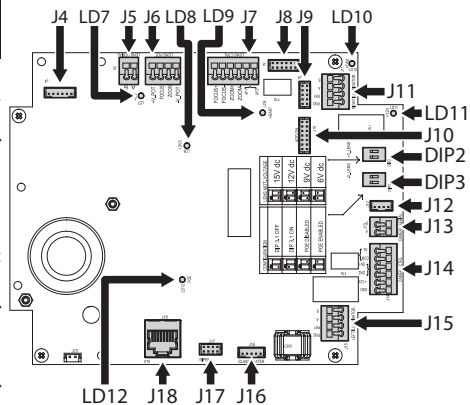


Рис. 20

### 7.4.2 Максимальные номинальные значения камеры и объектива с приводом

Максимальные номинальные значения указаны в следующей таблице.

| МАКСИМАЛЬНЫЕ НОМИНАЛЬНЫЕ ЗНАЧЕНИЯ КАМЕРЫ И ОБЪЕКТИВА С ПРИВОДОМ |                          |                                 |
|---|--------------------------|---------------------------------|
| Напряжение  | Сила тока                | Описание                        |
| +12 В   | 1500mA макс.             | Источник питания камеры         |
| +5V   | 15mA макс.               | Питание потенциометра объектива |
| от 6Vdc до 15Vdc (устанавливается в пределах)                   | 200mA макс. (Focus+Zoom) | Питание привода объектива       |

Табл. 2

### 7.4.3 Подключение камеры к сети

Подключите линию питания, передачи данных и тревоги (на выбор) камеры, как показано на рисунке. В случае если управление поворотной опорой осуществляется в режиме Camera Master, подключите последовательную линию управления RS-485 (8.3 Выбор рабочего режима устройства, страница 25).

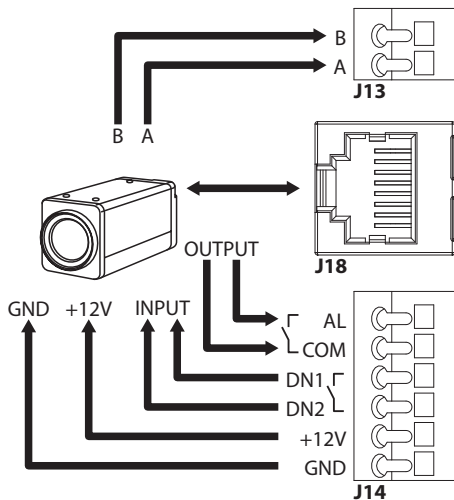


Рис. 21

Включение светодиода LD10 означает, что на клемму питания камеры подается напряжение 12 Vdc.

При включении система определяет температуру воздуха. Система не позволяет камере включиться, пока не достигается минимальная рабочая температура (cold start).

Пока осветительные приборы включены, клеммы DN1 и DN2 используются для принудительного включения ночного режима камеры.

В режиме Camera Master клеммы AL и COM используются для передачи сигнала тревоги камеры на реле основания поворотной опоры (RL1A, RL1B, 8.2.3.2 Подключение входов сигнала тревоги, сумеречного выключателя и реле, страница 24).

**i** Уберите ненужную часть кабеля, чтобы она не мешала работе стеклоочистителя (для моделей, в которых они присутствуют).

## 7.4.4 Подключение регулируемых объективов с приводом при включении питания

Все параметры настроек необходимо задать в соответствующем разделе (10.3.2 Страница настройки аппаратных средств (Hardware Configuration Page), страница 33).

### 7.4.4.1 Подключение объективов с приводами обратной полярности

Если приводы объективов имеют обратную полярность, используйте следующую схему соединения.

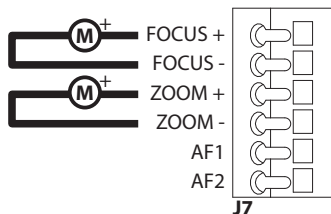


Рис. 22

### 7.4.4.2 Подключение объективов с приводами на общем проводе

Если используются объективы с приводами на общем проводе, изучите следующую схему соединения.

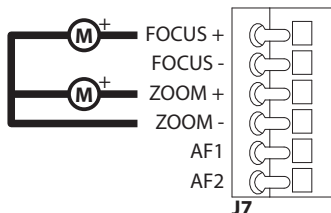


Рис. 23

## 7.4.4.3 Регулирование напряжения питания приводов объективов

Перед включением питания поворотной опоры, выберите напряжение питания объективов, используя DIP-переключатель напряжения объективов (DIP2, 7.4.1 Описание платы кожуха, страница 17).

| РЕГУЛИРОВАНИЕ НАПРЯЖЕНИЯ ПИТАНИЯ ПРИВОДОВ ОБЪЕКТИВОВ |             |            |
|--|-------------|------------|
| SW1  | SW2         | Напряжение |
| OFF (Выкл.)  | OFF (Выкл.) | 15Vdc      |
| ON (Вкл.)  | OFF (Выкл.) | 12Vdc      |
| OFF (Выкл.)  | ON (Вкл.)   | 9Vdc       |
| ON (Вкл.)  | ON (Вкл.)   | 6Vdc       |

Табл. 3

### 7.4.4.4 Подключение потенциометров

Выполните подключение, как показано на рисунке.

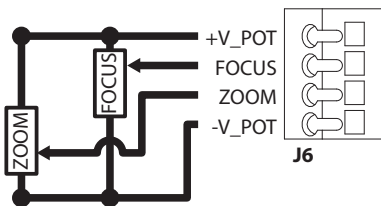


Рис. 24

### 7.4.4.5 One Push Autofocus

Некоторые виды объективов с приводами оборудованы функцией автоматической фокусировки.

Выполните подключение, как показано на рисунке.

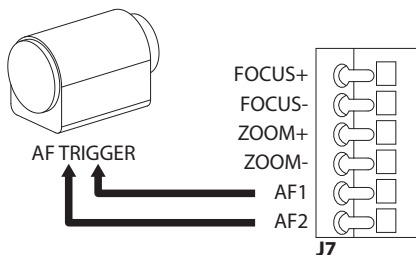


Рис. 25

### 7.4.5 Подключение объективов с приводами, управляемых через последовательную линию

Некоторые виды объективов с приводами могут управляться при помощи последовательной линии RS-485.

Выполните подключение, как показано на рисунке.

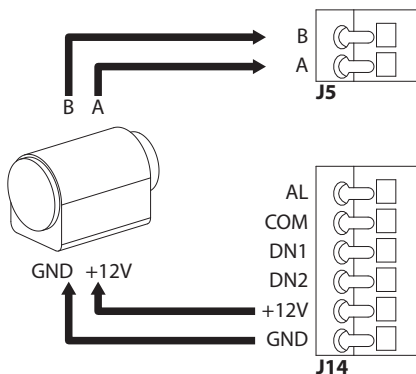


Рис. 26

### 7.4.6 Установка модуля камеры видимого спектра (опция)

Демонтируйте салазки в кожухе и прикрепите их к модулю камеры. Используйте прилагаемые винты и шайбы.

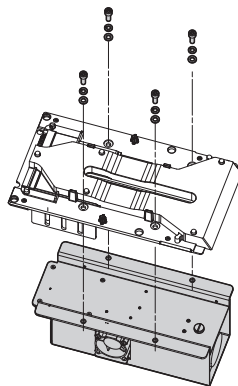


Рис. 27

Поместите салазки в кожух и закрепите их с помощью ранее открученных винтов.

На имеющейся в кожухе плате установлено два разъема, которые обеспечивают питание и связь с камерой (J10, J18, 7.4.1 Описание платы кожуха, страница 17). Подсоедините камеру, используя 2 прилагаемых кабеля.

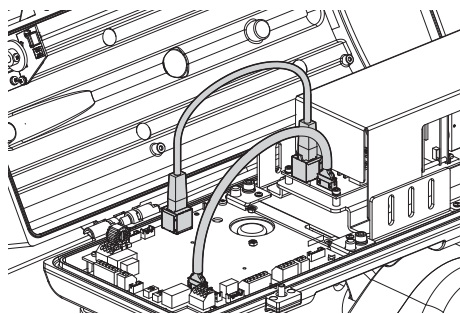


Рис. 28

Настройте тип камеры (CAMHD30X, 10.3.2 Страница настройки аппаратных средств (Hardware Configuration Page), страница 33).

### 7.4.7 Установка верхней части кожуха с противообледенительным обогреваемым стеклом и стеклоочистителем (опция)

Отсоедините кабель питания стеклоочистителя. Снимите верхнюю часть кожуха, открутив винты. Слегка поверните верхнюю часть кожуха, чтобы было легче извлечь винты из шарнира.

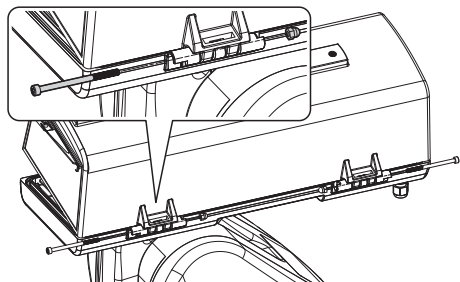


Рис. 29

Установите новую верхнюю часть кожуха, используя ранее выкрученные винты.

**⚠ Будьте осторожны при установке. Момент затяжки: 1.2Nm.**

На имеющейся в кожухе плате установлено два разъема, которые обеспечивают питание обогрева стекла и стеклоочистителя (J16, J17, 7.4.1 Описание платы кожуха, страница 17). Подсоедините 2 кабеля верхней части кожуха к 2 разъемам на плате кожуха.

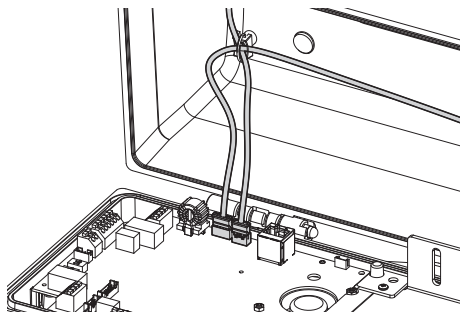


Рис. 30

Активируйте управление обогревом стекла ( 10.3.2 Страница настройки аппаратных средств (Hardware Configuration Page), страница 33).

### 7.4.8 Закрытие корпуса

После завершения операций по установке и прокладке кабелей закройте устройство.

Убедитесь, что прокладка кожуха установлена и находится в хорошем состоянии.

**⚠ Будьте осторожны при установке. Момент затяжки: 6Nm.**

## 8 Монтаж

**⚠ Никогда и ни при каких обстоятельствах не выполняйте изменений или подключений, не описанных в настоящем руководстве. Несоблюдение изложенных в руководстве инструкций по подключению может привести к возникновению серьезной угрозы для безопасности людей и установки.**

**⚠ Не меняйте схему разводки в полученном вами оборудовании. Несоблюдение настоящей инструкции может привести к возникновению серьезной угрозы для безопасности людей и установки, а также аннулирует гарантию.**

### 8.1 Крепление основания к опорной конструкции

Отсоедините основание от устройства.

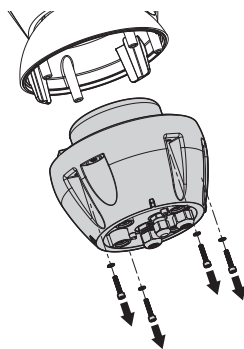


Рис. 31

Откройте дверцу, открутив винты, как показано на рисунке.

Вставьте кабели в кабельные сальники, удерживая основание на расстоянии около 20 см от опорной конструкции.

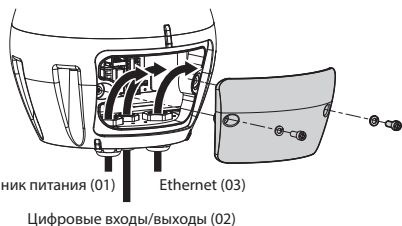


Рис. 32

Диаметр кабелей питания (01) и кабелей сети Ethernet (03) должен быть от 5мм до 13мм. Если на кабель сети Ethernet уже установлен разъем, необходимо использовать специальный прилагаемый уплотнитель.

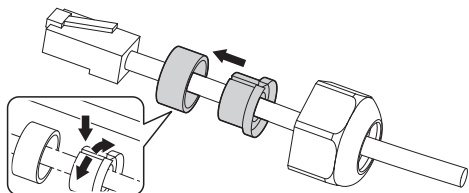


Рис. 33

**⚠ Будьте осторожны при установке. Момент затяжки: 2.7Nm.**

Для подключения цифровых входов/выходов (02) используйте кабель, диаметр которого составляет от 5мм до 10мм (если диаметр составляет от 3мм до 7мм, используйте специальный уплотнитель).

**⚠ Будьте осторожны при установке. Момент затяжки: 2Nm.**

Установите уплотнительное кольцо (01) и закрепите основание (02) на кронштейне (03) с помощью винтов (04), зубчатых шайб (05) и колец (06).

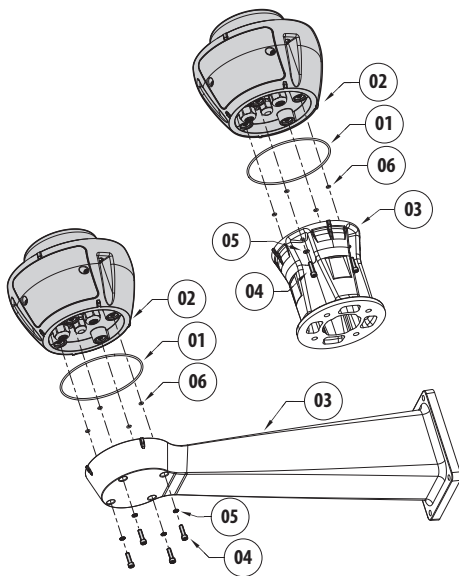


Рис. 34

**⚠ Используйте винты и шайбы, поставляемые вместе с основанием.**

**⚠ Примените резьбовой фиксатор к отверстиям для винтов. (Loctite 243®).**

**⚠ Будьте осторожны при установке. Момент затяжки: 6Nm.**

## 8.2 Подсоединение поворотного устройства к системе

### 8.2.1 Описание платы подключения

| ОПИСАНИЕ ПЛАТЫ |  |
|----------------|--|
| Компоненты     | Функция  |
| J1             | Линия электропитания   |
| J2             | Ethernet   |
| J3             | Цифровые входы/выходы  |
| DIP1           | Выбор режима главного устройства (Master), восстановление заводских настроек |
| F1             | Предохранитель линии питания   |
| F2             | Предохранитель питания электроники поворотного устройства                    |
| F3             | Предохранитель питания осветительных приборов                                |
| LD1, LD3       | Состояние линии Ethernet (связь и активность)                                |
| LD2            | Состояние прошивки   |
| LD4, LD5       | Состояние линии обмена данными с камерой (связь и активность)                |
| LD6            | Состояние питания  |

Табл. 4

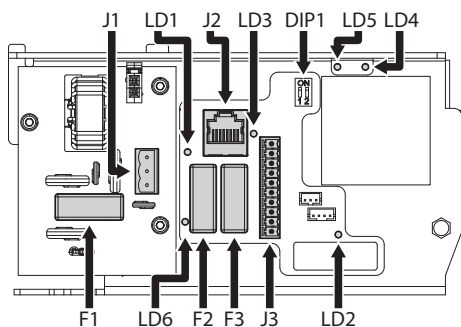


Рис. 35

### 8.2.2 Подключение линии питания

В зависимости от модели на устройство может подаваться разное напряжение сети питания. Значение напряжения сети питания указано на идентификационном ярлыке устройства. (4.3 Маркировка изделия, страница 11).



**Выполнять электрические подключения необходимо при отключенном источнике питания и разомкнутом выключателе сети.**



**Перед началом монтажа убедитесь, что характеристики источника питания устройства соответствуют характеристикам, которые необходимы для устройства.**



**Проверьте соответствие размеров гнезда питания и кабеля.**



**Кабель заземления должен быть длиннее двух других кабелей примерно на 10 мм, чтобы предотвратить его случайное отсоединение при натягивании.**

Отрежьте кабели нужной длины и подсоедините их. Подключите питание к разъему.

Силовой кабель питания должен быть покрыт предоставленной силиконовой оболочкой (01). Силиконовая оболочка должна быть закреплена соответствующей кабельной стяжкой (02).

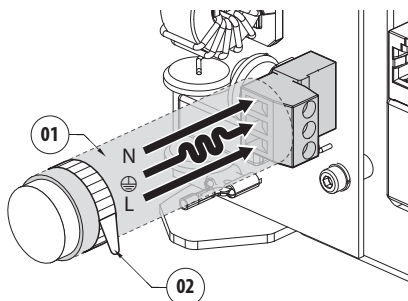


Рис. 36

Выполните подключения, как описано в таблице ниже.

| ПОДКЛЮЧЕНИЕ ЛИНИИ ПИТАНИЯ      |              |
|--------------------------------|--------------|
| Цвет                           | Клемма       |
| <b>Источник питания 230Vac</b> |              |
| Синий                          | N (Нейтраль) |
| Желтый/Зеленый                 | ⊕            |
| Коричневый                     | L (Фаза)     |
| <b>Источник питания 120Vac</b> |              |
| Синий                          | N (Нейтраль) |
| Желтый/Зеленый                 | ⊕            |
| Коричневый                     | L (Фаза)     |
| <b>Источник питания 24Vac</b>  |              |
| Определяется установщиком      | N (Нейтраль) |
| Желтый/Зеленый                 | ⊕            |
| Определяется установщиком      | L (Фаза)     |

Табл. 5

Съемный разъем входит в комплектацию.

### 8.2.3 Подключение сигнального кабеля

**⚠** Все сигнальные кабели должны быть сгруппированы с помощью кабельной стяжки.

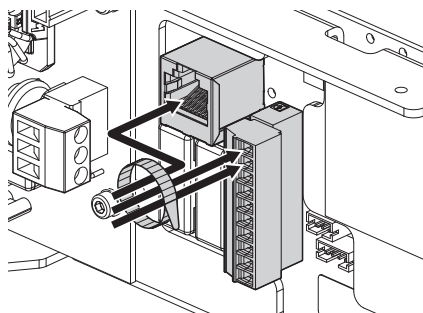


Рис. 37

#### 8.2.3.1 Подключение Ethernet-кабеля

Настоятельно рекомендуем использовать Ethernet-кабели со следующими характеристиками: STP (экранированный), Категория 5E (или выше).

Подключите Ethernet-кабель к соответствующему разъему (J2, 8.2.1 Описание платы подключения, страница 23).

#### 8.2.3.2 Подключение входов сигнала тревоги, сумеречного выключателя и реле

Максимальная длина каждого кабеля для каждого сигнала тревоги составляет 200 м. Используйте экранированные кабели.

Подключите кабель цифровых входов/выходов к соответствующему разъему (J3, 8.2.1 Описание платы подключения, страница 23).

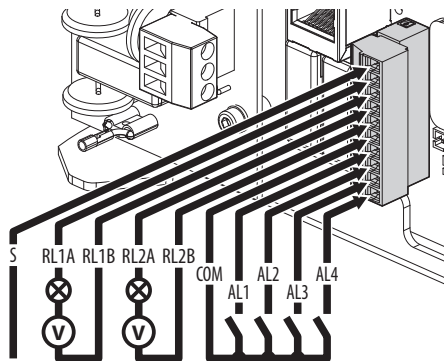


Рис. 38

| ПОДКЛЮЧЕНИЕ ВХОДОВ СИГНАЛА ТРЕВОГИ, СУМЕРЕЧНОГО ВЫКЛЮЧАТЕЛЯ И РЕЛЕ |  |
|--|--|
| Клеммы   | Описание   |
| S  | Оплетка экранированного кабеля   |
| RL1A, RL1B, RL2A, RL2B   | Сухие выходные контакты, активируемые сигналом тревоги или командой пользователя |
| AL1, AL2, AL3, AL4 e COM   | Входы сигнала тревоги с автономным питанием, связанные с общим выводом           |

Табл. 6

Устройство может быть оснащено внешним сумеречным переключателем. В зависимости от интенсивности света, сумеречный переключатель позволяет автоматически включать ночной режим. Подключите сумеречный переключатель к указанному входу тревоги: AL4. Информация о настройке ночного режима изложена в соответствующем разделе (10.3.17 Страница режима "ночь" (Night Mode Page), страница 44).

Устройство может быть оснащено омывателем в качестве опции (11.1 Омыватель (Washer), страница 50). Подключите кабель сигнала включения насоса к указанному реле: RL2A, RL2B.



## 8.3 Выбор рабочего режима устройства

В основании имеется DIP-переключатель, который позволяет настроить режим выбора главного устройства (Master Selection) и заводских настроек (Factory default) (DIP1, 8.2.1 Описание платы подключения, страница 23).

| ВЫБОР РАБОЧЕГО РЕЖИМА УСТРОЙСТВА (DIP1)      |             |             |   |
|--|-------------|-------------|---|
| Функция                                      | SW 1        | SW 2        | Описание                                    |
| Выбор главного устройства (Master Selection) | ON (ВКЛ.)   | -           | PTZ - главное устройство (PTZ Master)       |
|  | OFF (ВЫКЛ.) | -           | Камера - главное устройство (Camera Master) |
| Заводские настройки (Factory Default)        | -           | ON (ВКЛ.)   | Вкл.  |
|  | -           | OFF (ВЫКЛ.) | Отключена                                   |

Табл. 7

Для настройки функции Master Selection см. соответствующую главу (8.3.1 Описание режима выбора главного устройства (Master Selection), страница 25).

Для настройки функции Factory Default см. соответствующую главу (8.3.2 Описание процедуры установки заводских настроек, страница 26).

### 8.3.1 Описание режима выбора главного устройства (Master Selection)

Систему можно соединить с VMS (система управления видео) двумя способами:

#### PTZ - главное устройство (PTZ Master):

Программа управления видео (VMS) всегда взаимодействует с центральным процессором (CPU) поворотного устройства, используя протокол ONVIF. При такой конфигурации камерой управляет центральный процессор поворотного устройства, используя протокол ONVIF.

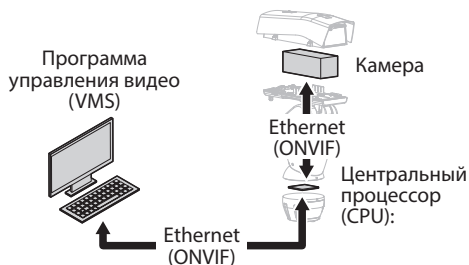


Рис. 39

#### Камера - главное устройство (Camera Master):

VMS всегда взаимодействует с камерой, используя специальный драйвер. При такой конфигурации камера управляет поворотным устройством, используя последовательную линию RS-485.

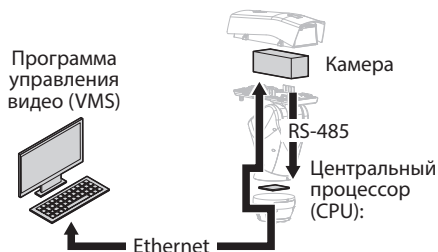


Рис. 40

Поворотную опору можно настроить через веб-страницу. Ниже указаны учетные данные по умолчанию: Имя пользователя: admin, Пароль: admin. В этой конфигурации, протокол ONVIF порта Ethernet поворотной опоры не активен.

#### Список поддерживаемых последовательных команд:

- Движение поворотного устройства
- Сохранение, вызов и удаление предварительных установок
- AUX-3-ON/OFF: Стеклоочиститель ON/OFF
- AUX-4-ON: Омыватель (Washer)
- AUX-5-ON/OFF: Day/Night Mode
- AUX-6-ON/OFF: Реле 1 ON/OFF
- AUX-7-ON/OFF: Реле 2 ON/OFF
- ЗАПУСК PATTERN 0: Патрулирование (Patrol)
- ЗАПУСК PATTERN 1: Автоматическое панорамное наблюдение (Autopan)

### 8.3.2 Описание процедуры установки заводских настроек

Если пароль доступа уже недействителен, выполните процедуру возврата к заводским настройкам.

- Отключите устройство.
- Откройте крышку разъема.
- Найдите 1-й DIP-переключатель. Установите переключатель 2 в положение ВКЛ.
- Закройте крышку разъема.
- Подключите устройство к сети электропитания.
- Подождите 60 секунд.
- Отключите устройство.
- Откройте крышку разъема.
- Установите переключатель 2 в положение ВЫКЛ.
- Закройте крышку разъема.
- Подключите устройство к сети электропитания.

Если установлена камера другого изготовителя, необходимо выполнить процедуру возврата к заводским настройкам, указанную изготовителем камеры.

### 8.4 Закрытие крышки разъема.

Установите обратно крышку разъема, делайте это осторожно, чтобы не пережат кабели.

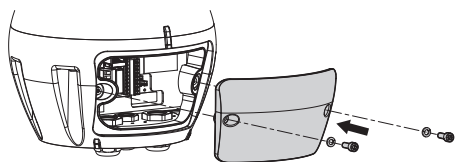


Рис. 41

**⚠ Будьте осторожны при установке.  
Момент затяжки: 6Nm.**

### 8.5 Установка карты памяти

В устройство можно установить карту памяти типа microSD. На карту памяти можно сохранять резервные копии всех файлов с системными настройками и журналами, чтобы упростить обслуживание или замену в случае сбоев. Более подробная информация представлена в соответствующей главе (10.3.22 Страница инструментов (Tools Page), страница 49).

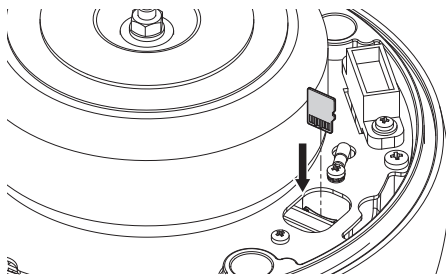


Рис. 42

Система поддерживает карты microSD объемом до 4 Гб.

Проверенные карты памяти:

- Panasonic RP-SMKC04DE1 (4ГБ, 40/+85°C)
- Swissbit SFSD2048N1BW1MT-I-ME-111-STD (2ГБ -40/+85°C)

## 8.6 Крепление верхней части кожуха

Установите корпус устройства на основание, совместив установочные метки. Вставьте штифты, предотвращающие опрокидывание корпуса устройства, в отверстия, расположенные в основании. Будьте особенно внимательны, чтобы во время установки не повредить внутренние компоненты.

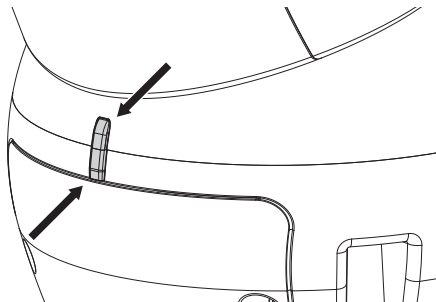


Рис. 43

Прикрепите верхнюю часть корпуса к основанию, используя крепежные винты. Убедитесь, что прокладка основания установлена и пригодна для использования.

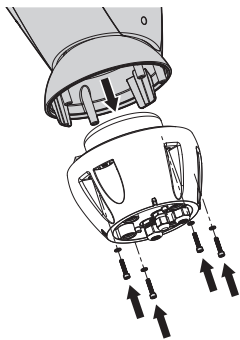


Рис. 44

**!** Будьте осторожны при установке.  
Момент затяжки: 6Nm.

## 8.7 Установка светодиодных осветителей (дополнительные функции)

**!** Для исправной работы необходимо всегда устанавливать оба осветителя.

**i** На поворотном устройстве можно устанавливать только осветители VIDEOTEC.

### 8.7.1 Установка кронштейна

Расположите кронштейн (01) на нижней части кожуха, как показано на рисунке. Вставьте винты и шайбы (02) в отверстия (03) и затяните их.

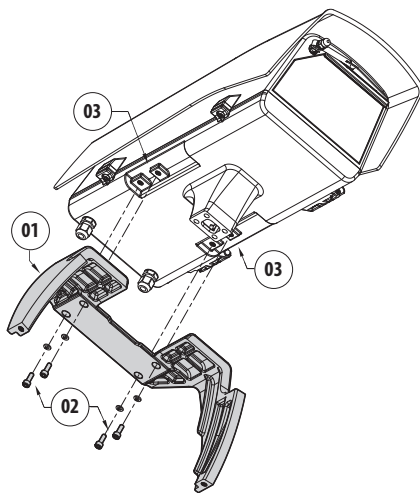


Рис. 45

**!** Будьте осторожны при установке.  
Момент затяжки: 6Nm.

## 8.7.2 Установка осветителя на кронштейне

Расположите крепления осветителя (01) на креплениях кронштейна (02).

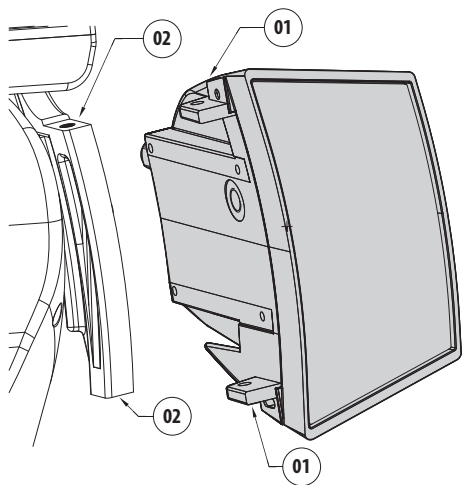


Рис. 46

Выровняйте осветители относительно камеры, чтобы добиться минимального рассеивания света.

Прикрутите винты и шайбы, прилагаемые к осветительному прибору.

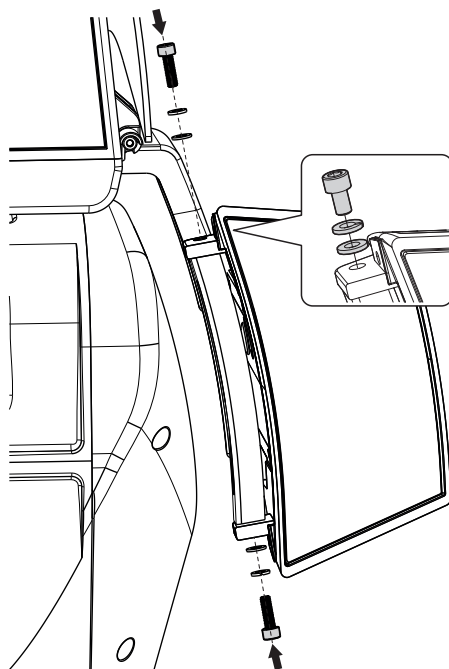


Рис. 47



**Будьте осторожны при установке.  
Момент затяжки: 6Nm.**

## 8.8 Подключение светодиодных осветителей

Откройте кожух, следуя указаниям в соответствующем разделе (7.3.1 Как открыть кожух, страница 14).

Вставьте кабели питания в кабельные муфты как минимум на 10 см. Затяните кабельные сальники.

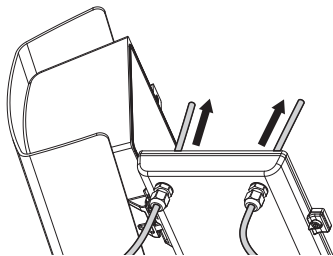


Рис. 48

**!** Чтобы не ставить под угрозу безопасность и исправность устройства, не оставляйте излишки кабеля снаружи.

**!** Будьте осторожны при установке. Момент затяжки: 2Nm.

На имеющейся в кожухе плате установлено два разъема, которые позволяют управлять осветителями (J11, J15, 7.4.1 Описание платы кожуха, страница 17).

Подсоедините кабели в соответствии с указаниями в таблице.

| ПОДКЛЮЧЕНИЕ СВЕТОДИОДНЫХ ОСВЕТИТЕЛЕЙ |             |                              |             |
|--------------------------------------|-------------|------------------------------|-------------|
| Главный осветитель (J15)             |             | Подчиненный осветитель (J11) |             |
| Обозначение на плате                 | Цвет кабеля | Обозначение на плате         | Цвет кабеля |
| PW2                                  | Белый       | PW2                          | Белый       |
| PW1                                  | Черный      | PW1                          | Черный      |
| A                                    | Зеленый     | A                            | Зеленый     |
| B                                    | Красный     | B                            | Красный     |

Табл. 8

Закройте кожух, следуя указаниям в соответствующем разделе (7.4.8 Закрытие корпуса, страница 21).

## 8.9 Регулировка и режим включения светодиодных осветителей

После завершения регулировки главный осветитель (Master illuminator) синхронизирует работу подчиненного осветителя (Slave illuminator) и управляет им.

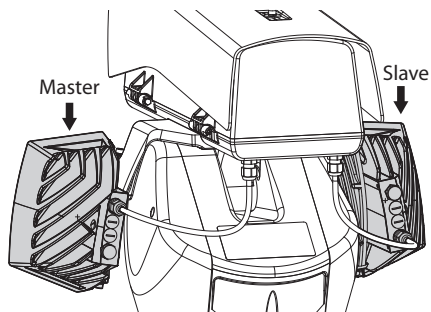


Рис. 49

Сумеречный выключатель определяет уровень освещенности и контролирует включение и выключение осветителей, когда яркость освещения достигает заданного пользователем уровня.

Когда светодиодные осветители активированы, камера переходит в ночной режим с помощью специальной команды ONVIF.

Если камера не поддерживает управление переключением ночного режима посредством ONVIF, синхронизацию можно осуществить с помощью специального реле (DN1, DN2, 7.4.3 Подключение камеры к сети, страница 18).

## 8.9.1 Регулировка порога включения светодиодных осветителей

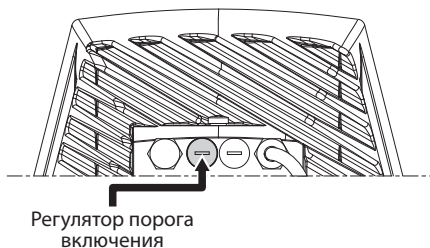


Рис. 50

Осветитель имеет встроенный сумеречный датчик, обеспечивающий автоматическое включение и выключение при заданных условиях освещенности.

Настройка сумеречного датчика выполнена производителем, который заранее установил уровень освещения, подходящий для большинства конфигураций (около 50 люксов). Если нужно выставить иные значения порога срабатывания, вытащите заглушку, установленную на задней части осветителя, и осуществите настройку с помощью отвертки.

Поворот подстроечного резистора по часовой стрелке приведет к более раннему срабатыванию ночного режима (переключение на более высокое значение освещенности). Поворот подстроечного резистора против часовой стрелки приведет к более позднему срабатыванию ночного режима (переключение на более низкое значение освещенности).

Дождитесь соответствующих условий освещенности, подходящих для включения осветителя. Медленно поворачивайте подстроечный резистор до включения светодиодов, установленных на боковой стороне резистора. Как только порог срабатывания будет превышен (с включенными светодиодами), слегка поверните подстроечный резистор в обратном направлении.

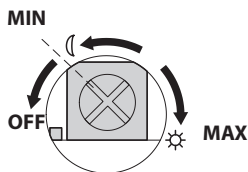


Рис. 51

**⚠ По завершении настройки проверьте, чтобы заглушка была плотно вставлена обратно для обеспечения герметичности устройства.**

## 8.9.2 Регулировка мощности светодиодных осветителей

Производитель настроил осветитель так, чтобы он выдавал максимальную мощность. Если нет необходимости в освещении удаленных объектов или картинка получается слишком светлой, уменьшите мощность, при этом вы снизите потребление энергии.

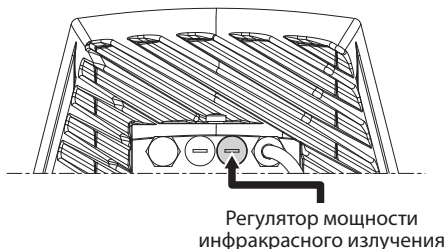


Рис. 52

Удалите герметичную заглушку. Поверните подстроечный резистор по часовой стрелке, чтобы увеличить мощность инфракрасного осветителя и против часовой стрелки, чтобы уменьшить ее.



Рис. 53

**⚠ По завершении настройки проверьте, чтобы заглушка была плотно вставлена обратно для обеспечения герметичности устройства.**

### 8.9.3 Включение светодиодных осветителей с помощью внешнего сумеречного выключателя

Светодиодные осветители включаются внешним сумеречным датчиком, подключенным ко входу тревоги.

Выполните следующие действия:

- Подключите сумеречный переключатель к разъему сигнальных кабелей (AL4, COM, 8.2.3.2 Подключение входов сигнала тревоги, сумеречного выключателя и реле, страница 24).
- Настройте главный осветитель:
  - **Порог включения:** Установить значение OFF ("Выключено").
  - **Источник питания:** Установите значение в зависимости от необходимости.
- Настройте подчиненный осветитель:
  - **Порог включения:** Установить значение OFF ("Выключено").
  - **Источник питания:** Установите значение в зависимости от необходимости.
- Установите датчик яркости на: ВНЕШНЕЕ РАЗМЕЩЕНИЕ (EXTERNAL) (10.3.17 Страница режима "ночь" (Night Mode Page), страница 44).

### 8.9.4 Включение светодиодных осветителей при помощи встроенного сумеречного датчика

Светодиодные осветители оснащены внутренним сумеречным датчиком.

При использовании этого режима включения нельзя в принудительном порядке активировать ночной режим или управлять подчиненным осветителем.

Выполните следующие действия:

- Настройте главный осветитель:
  - **Порог включения:** Установите значение в зависимости от необходимости.
  - **Источник питания:** Установите значение в зависимости от необходимости (от 50% до 100%).
- Настройте подчиненный осветитель:
  - **Порог включения:** Установите максимальное значение.
  - **Источник питания:** Установите минимальное значение.
- Установите датчик яркости на: ОСВЕТИТЕЛИ (10.3.17 Страница режима "ночь" (Night Mode Page), страница 44).

### 8.9.5 Включение светодиодных осветителей при помощи камеры

Светодиодные осветители включаются в зависимости от уровня освещенности изображения, получаемого от камеры. Этот рабочий режим можно использовать только в том случае, если устройство оснащено встроенной камерой (11.6 Модуль камеры видимого спектра, страница 51).

Выполните следующие действия:

- Настройте главный осветитель:
  - **Порог включения:** Установить значение OFF ("Выключено").
  - **Источник питания:** Установите значение в зависимости от необходимости.
- Настройте подчиненный осветитель:
  - **Порог включения:** Установить значение OFF ("Выключено").
  - **Источник питания:** Установите значение в зависимости от необходимости.
- Установите датчик яркости на: КАМЕРА (10.3.17 Страница режима "ночь" (Night Mode Page), страница 44).

### 8.9.6 Включение светодиодных осветителей вручную

Светодиодные осветители можно включить через веб-страницу или посредством команды ONVIF.

Выполните следующие действия:

- Настройте главный осветитель:
  - **Порог включения:** Установить значение OFF ("Выключено").
  - **Источник питания:** Установите значение в зависимости от необходимости.
- Настройте подчиненный осветитель:
  - **Порог включения:** Установить значение OFF ("Выключено").
  - **Источник питания:** Установите значение в зависимости от необходимости.
- Установите датчик яркости на: ОТСУТСТВУЮТ (10.3.17 Страница режима "ночь" (Night Mode Page), страница 44).

## 9 Включение



Убедитесь, что устройство и другие элементы системы закрыты таким образом, чтобы невозможно было дотронуться до элементов под напряжением.



Во время работы в нормальном режиме поверхность осветителя может нагреваться до высоких температур. Избегайте прямого контакта и установите устройство в месте, недоступном для посторонних лиц. До осветителя можно дотрагиваться только после того, как он будет выключен и оставлен остывать в течение как минимум 10 минут.



Не находитесь рядом с устройством, если на него подается питание. Проводите операции с устройством только при отключенном питании.



Убедитесь, что все детали надежно закреплены.



Процесс автоматического предварительного подогрева (De-Ice) начинается при включении устройства, если температура окружающей среды ниже 0°C. Данный процесс служит для обеспечения правильного функционирования устройства даже при низких температурах. Продолжительность процесса зависит от условий окружающей среды (от 60 мин. до 120 мин.).

Для того чтобы включить устройство, подключите источник питания.

Для того чтобы выключить устройство, отключите источник питания.

## 10 Конфигурация

### 10.1 Заданный по умолчанию IP-адрес



Устройство настроено таким образом, чтобы получить IP-адрес от сервера DHCP.

IP-адрес, полученный через DHCP, можно посмотреть в файле журнала сервера DHCP.

Если сервер DHCP недоступен, устройство настраивается автоматически, используя самостоятельно сгенерированный IP-адрес в подсети 169.254.0.0/16. Настройка IP-адреса компьютера в той же подсети (пример: IP-адрес: 169.254.1.1, маска подсети: 255.255.0.0). Если автоматически присвоить адрес не удается, система автоматически назначает адрес <http://192.168.0.100>.

Используйте совместимую с ONVIF программу управления видео, приложение Диспетчер устройств ONVIF или сетевой анализатор пакетов, чтобы найти IP-адрес устройства (Программа сканирования IP).

### 10.2 Определение MAC-адреса

MAC-адрес устройства указан на ярлыке, расположенном под крышкой разъемов основания, как показано на рисунке.

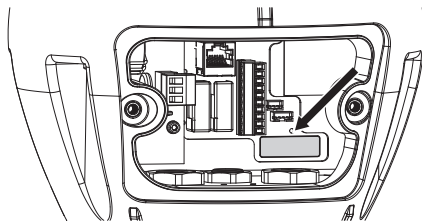


Рис. 54



## 10.3 Веб-интерфейс

**i** Поддерживаемые браузеры: Microsoft Internet Explorer, Google Chrome, Mozilla Firefox.

### 10.3.1 Первый вход на веб-страницу

Первое действие по конфигурации устройства заключается в подключении к веб-интерфейсу.

Чтобы войти в веб-интерфейс продукта, просто используйте браузер для подключения к адресу `http://ip_address`.

Чтобы поворотное устройство работало корректно, следует настроить его в соответствии с установленной камерой и комплектующими.

**i** **Продукт с самостоятельно генерированным IP-адресом не может передавать потоковое видео. Убедитесь, что сервер DHCP доступен или, при необходимости, установите IP-адрес, не относящийся к классу "локальный, 169.254.x.x/16" (10.3.6 Страница сети (Network Page), страница 39).**

При первом входе на экране отобразится описанная ниже страница настройки аппаратных средств устройства.

### 10.3.2 Страница настройки аппаратных средств (Hardware Configuration Page)

Меню Настройка аппаратных средств (Hardware Configuration) может использоваться для настройки аппаратных средств устройства.

Некоторые поля отображаются динамически, в зависимости от конфигурации системы.

- **Camera Type (Тип камеры):** Режим связи камеры (только для режима PTZ Master).
- **Type (Тип):** Тип связи с камерой.
  - **NONE (ОТСУТСТВУЕТ):** Система подает питание на камеру после борьбы с обледенением (система не проверяет, реагирует ли камера на пинг).
  - **ONVIF CAMERA (КАМЕРА ONVIF):** Система настроена таким образом, чтобы обмениваться данными с камерой ONVIF S profile. В качестве учетных данных для доступа к поворотной опоре используются имя пользователя и пароль, предназначенные для связи с камерой. Введите имя пользователя и пароль, чтобы установить связь с камерой другого производителя. (6.5.3 Предварительная настройка камер других производителей, страница 13). Система подает питание на камеру после борьбы с обледенением, проверяя, реагирует ли она на пинг и протокол ONVIF.
  - **SAMHD30X:** Система настроена таким образом, чтобы обмениваться данными со встроенной камерой. (11.6 Модуль камеры видимого спектра, страница 51). Ниже указаны учетные данные по умолчанию: Имя пользователя: admin, Пароль: admin.

- **Serial Port (Последовательный порт):** Тип связи для управления устройством.
- **Protocol (Протокол):** Протокол связи.
- **ACK Sending (Отправка ответного подтверждения):** Включает функцию отправки ответного подтверждения для каждой полученной команды.
- **Baudrate (Скорость передачи данных):** Устанавливает скорость обмена данными.
- **Serial Type (Тип последовательной линии):** Тип последовательной линии, по которой устройство получает команды.
- **Данные в битах:** Количество битов, содержащееся в каждом пакете данных.
- **Parity Check (Проверка на четность):** Режим проверки согласованности данных.
- **Stop Bits (Стоп-биты):** Количество стоп-битов в каждом пакете данных.
- **Lens Characteristics (Характеристики объектива):** Характеристики установленного объектива.
  - **Lens (Объектив):** Тип установленного объектива.
    - **NONE (ОТСУТСТВУЕТ):** Объектив не установлен.
    - **FIXED (ФИКСИРОВАННЫЙ):** Объектив с увеличением и фиксированной фокусировкой.
    - **INTEGRATED (ВСТРОЕННЫЙ):** Управление объективом осуществляется через камеру.
    - **INDEPENDENT MOTORISATION (НЕЗАВИСИМЫЙ ПРИВОД):** Объектив с приводом с обратной полярностью.
    - **MOTORISATION BY COMMON WIRING (ПРИВОД НА ОБЩЕМ ПРОВОДЕ):** Объектив с приводом на общем проводе.
    - **MOTORISATION BY 485 (ПРИВОД 485):** Объектив, управляемый посредством последовательной линии RS 485.
  - **Model (Модель):** Выбор 485 модели объектива.
  - **Protocol (Протокол):** Выбор протокола, который используется для обмена данными с объективом.
- **Baudrate (Скорость передачи данных):** Выбор скорости передачи данных, используемой для обмена данными с объективом.
- **Serial Type (Тип последовательной линии):** Выбор режима связи с объективом.
- **ACK Sending (Отправка ответного подтверждения):** Активация периода ожидания подтверждения для каждого сообщения, отправленного объективу.
- **Preset (Предварительная настройка):** Указывает максимальное количество предварительных настроек, с которыми может работать объектив.
- **Zoom Factor (Коэффициент масштабирования):** Максимально доступное увеличение для объектива.
- **Zoom Rotation Polarity (Полярность вращения при увеличении):** Заставляет объектив вращаться в обратную сторону при работе в режиме увеличения.
- **Focus Rotation Polarity (Полярность вращения при фокусировке):** Заставляет объектив вращаться в обратную сторону при работе в режиме фокусировки.
- **Lens with Potentiometers (Объектив с потенциометрами):** Наличие потенциометров для определения положений для увеличения и фокусировки.
- **One-push Autofocus Trigger (Запуск автоматической фокусировки одним нажатием кнопки):** Устанавливает тип события, при котором активируется автоматическая фокусировка.
  - **MANUAL (РУЧНАЯ):** Активация возможна только на веб-странице или с помощью команды ONVIF.
  - **PTZ MOVEMENT+MANUAL (ДВИЖЕНИЕ PTZ+РУЧНАЯ):** Активация происходит по завершении движения ПОВОРОТ-НАКЛОН или УВЕЛИЧЕНИЕ, или производится на веб-странице или с помощью команды ONVIF.
  - **DISABLED:** Функция отключена.
- **One-push autofocus duration (Продолжительность автоматической фокусировки одним нажатием кнопки):** Устанавливает продолжительность работы функции автоматической фокусировки.
- **One-push Autofocus Polarity (Полярность автоматической фокусировки одним нажатием кнопки):** Выбор заданного по умолчанию статуса реле автоматической фокусировки.

- **Комплектующие (Accessories):** Наличие или отсутствие комплектующих, установленных на устройстве.
- **Wiper (Стеклоочиститель):** Включение стеклоочистителя.
- **Illuminators (Осветители):** Включение осветителей. (11.3 Светодиодные осветители, страница 50).
- **Heated Glass (Обогреваемое стекло):** Включение обогреваемого стекла. ( 11.7 Обогреваемое стекло с защитой от обледенения, страница 51).
- **Wash system (Моющая установка):** Включение моющей установки. (11.1 Омыватель (Washer), страница 50).

The screenshot shows the configuration interface for a PTZ Master device. It is divided into three main sections: Camera Type, Lens Characteristics, and Accessories. At the bottom right, there are 'SEND' and 'CANCEL' buttons.

| Camera Type      |              |
|------------------|--------------|
| Type             | ONVIF CAMERA |
| Username         | admin        |
| Password         | ****         |
| Confirm Password | ****         |

| Lens Characteristics             |                       |
|----------------------------------|-----------------------|
| Lens                             | MOTORISATION BY 485   |
| Model                            | GENERIC               |
| Protocol                         | PELCO D               |
| Baudrate                         | 9600                  |
| Serial Type                      | BIDIRECTIONAL RS485   |
| ACK Sending                      | DISABLED              |
| Preset                           | 250                   |
| Zoom Factor                      | 1                     |
| One-push Autofocus Trigger       | PTZ MOVEMENT + MANUAL |
| One-push Autofocus Duration (ms) | 500                   |
| One-push Autofocus Polarity      | NORMALLY OPEN         |

| Accessories  |             |
|--------------|-------------|
| Wiper        | PRESENT     |
| Illuminators | PRESENT     |
| Heated Glass | NOT PRESENT |
| Wash System  | PRESENT     |

Рис. 55 PTZ - главное устройство (PTZ Master).

The screenshot shows the configuration interface for a Camera Master device. It is divided into three main sections: Serial Port, Lens Characteristics, and Accessories. At the bottom right, there are 'SEND' and 'CANCEL' buttons.

| Serial Port  |          |
|--------------|----------|
| Protocol     | PELCO D  |
| ACK Sending  | DISABLED |
| Baudrate     | 2400     |
| Serial Type  | RS485    |
| Data Bits    | 8        |
| Parity Check | NONE     |
| Stop Bits    | 1        |

| Lens Characteristics             |                       |
|----------------------------------|-----------------------|
| Lens                             | MOTORISATION BY 485   |
| Model                            | GENERIC               |
| Protocol                         | PELCO D               |
| Baudrate                         | 2400                  |
| Serial Type                      | BIDIRECTIONAL RS485   |
| ACK Sending                      | DISABLED              |
| Preset                           | 1                     |
| Zoom Factor                      | 10                    |
| One-push Autofocus Trigger       | PTZ MOVEMENT + MANUAL |
| One-push Autofocus Duration (ms) | 500                   |
| One-push Autofocus Polarity      | NORMALLY OPEN         |

| Accessories  |             |
|--------------|-------------|
| Wiper        | PRESENT     |
| Illuminators | PRESENT     |
| Heated Glass | NOT PRESENT |
| Wash System  | PRESENT     |

Рис. 56 Камера - главное устройство (Camera Master).

### 10.3.3 Главная страница (Home Page)

Если авторизация прошла успешно, отобразится интерфейс управления устройством.

На домашней странице (Home) оператор может посмотреть статус системы, снимок экрана камеры, передвинуть устройство, проверить объективы и комплектующие, включить реле и отследить статус входов сигнала тревоги.

#### 10.3.3.1 Снимок экрана

Здесь показывается предварительный просмотр видео, которое записывает камера. Разрешение снимка и частота смены кадров фиксированы и отличаются от фактических характеристик видеопотока. Чтобы просмотреть изображение в качестве видеопотока, необходимо использовать программу управления видео или Диспетчер устройств ONVIF.

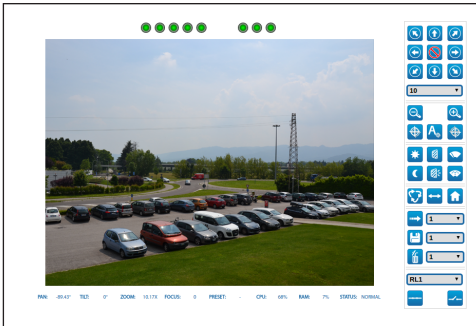


Рис. 57

### 10.3.3.2 Статус системы

При запуске статус системы отображается в разделе со снимком экрана.

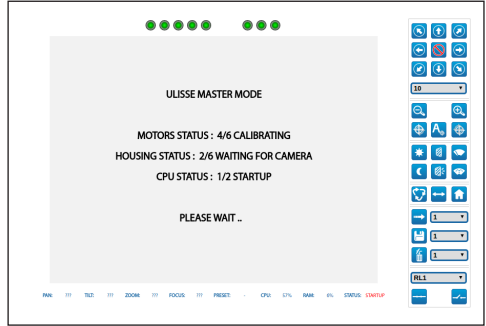


Рис. 58

В стандартном режиме работы пункт меню Системный журнал (System Log) подсвечен желтым, а при активации сигнала тревоги также звучит предупреждающий сигнал.

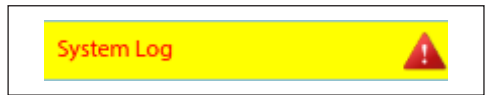


Рис. 59

### 10.3.3.3 Горизонтальное и вертикальное перемещение

Виртуальная клавиатура позволяет передвигать устройство. Используйте выпадающее меню под виртуальной клавиатурой, чтобы установить скорость.

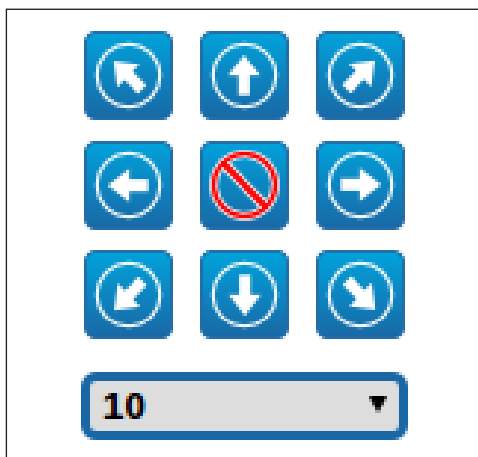


Рис. 60

Устройство также можно переместить, щелкнув мышью непосредственно по снимку экрана в желаемом направлении.

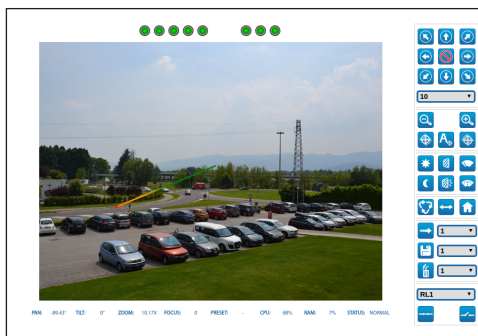


Рис. 61

### 10.3.3.4 Управление объективом

- **Zoom Wide/Zoom Tele**



Рис. 62

- **Focus Near/Focus Far/Autofocus:** Автоматическая фокусировка (Autofocus) доступна только для модуля камеры видимого спектра или для приводного объектива, оснащенного автоматической фокусировкой.



Рис. 63

### 10.3.3.5 Управление стеклоочистителем и мощней установкой

- **Wiper/Wash System (Стеклоочиститель/моющая установка):** Чтобы использовать моющую установку, необходимо ее включить.



Рис. 64

### 10.3.3.6 Управление режимом "день-ночь"

- **Day Mode (режимом "день")/Night Mode (режимом "ночь"):** В режиме "день" (Day Mode) выключаются осветители и отдается команда применить ИК-фильтр камеры. В режиме "ночь" (Night Mode) включаются осветители и отдается команда убрать ИК-фильтр камеры.



Рис. 65

### 10.3.3.7 Управление подчиненным осветителем

- **Off (Выкл.)/On (Вкл.):** Подчиненный осветитель можно включить или выключить вручную.



Рис. 66

### 10.3.3.8 Управление предварительными настройками

- **Scan Preset (Сканировать предварительную настройку)/Set Preset (Установить предварительную настройку)/Remove Preset (Удалить предварительную настройку)**

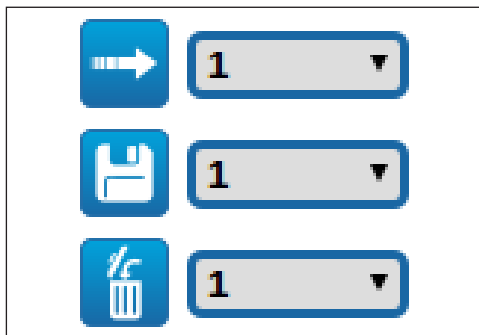


Рис. 67

- **Run Patrol (Запуск патрулирования):** Для работы с функцией патрулирования необходимо, чтобы были сохранены по меньшей мере 2 предварительные настройки. Скорость передвижения и время ожидания можно настроить, обратившись к соответствующей главе( 10.3.13 Страница предварительных настроек (Дополнительно), страница 42).



Рис. 68

- **Run Autopan (Запуск автоматического панорамного наблюдения):** Постоянный вызов 2 настроенных положений. Более подробная информация представлена в соответствующей главе( 10.3.9 Страница автоматического панорамного наблюдения (Autopan Page), страница 41).



Рис. 69

- **Go to Home Position (Возвращение в исходную позицию):** Вызов предварительно установленной позиции номер 1.



Рис. 70

### 10.3.3.9 Управление статусом реле и сигнала тревоги

- **Enables the Relay/Disables the Relay (Включает реле / Отключает реле):** После выбора реле в выпадающем меню можно установить статус контакта.

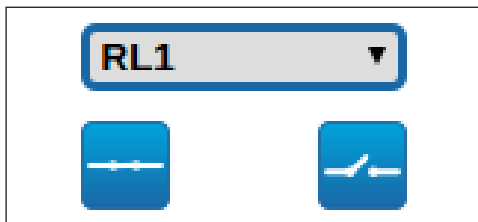


Рис. 71

- **AL1/AL2/AL3/AL4/ALHOUSING/RL1/RL2/DNHO USING:** Отображается статус сигналов тревоги и реле. Красный цвет указывает на то, что сигнал тревоги или реле включены. Зеленый цвет указывает на то, что сигнал тревоги или реле отключены.

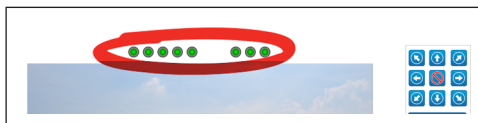


Рис. 72

### 10.3.3.10 Управление устройством с помощью клавиатуры

Можно управлять устройством с помощью клавиатуры компьютера, используя клавиши, указанные на рисунке.

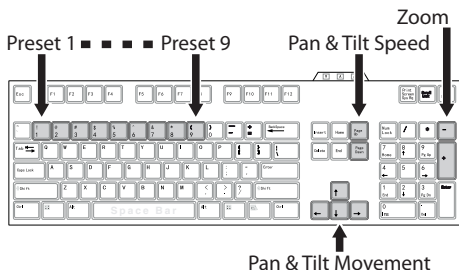


Рис. 73

### 10.3.4 Страница параметров устройства (Device Parameters Page)

Пункт меню Параметры устройства (Device Parameters) позволяет задать имя устройства и просмотреть другую дополнительную информацию.

|                                 |                   |
|---------------------------------|-------------------|
| Device Name                     | litrose2          |
| Product Code                    |                   |
| Serial Number                   |                   |
| Addr-on Serial Number           | 116068310001      |
| MAC Address                     | 00:21:A6:00:11:4C |
| Firmware Version: CPU Board     | 1.1.0             |
| Firmware Version: Motor Board   | 1.0.3             |
| Firmware Version: Housing Board | 1.0.4             |
| Hardware Revision               | 1                 |
| Major Revision                  | 1                 |
| Minor Revision                  | 1                 |

Рис. 74

### 10.3.5 Страница статистики устройства

Пункт меню Device Statistics (Статистика устройства) позволяет получить доступ ко всей статистике, собираемой во время работы устройства, в режиме "только для чтения".

|  |       |
|--|-------|
| Fan Degrees (°)                        | 20136 |
| TIR Degrees (°)                        | 2756  |
| Power Ups                              | 28    |
| Working Hours (h)                      | 30    |
| Housing Board Maximum Temperature (°C) | 43    |
| Housing Board Minimum Temperature (°C) | 29    |
| Motors Board Maximum Temperature (°C)  | 51    |
| Motors Board Minimum Temperature (°C)  | 32    |
| CPU Board Maximum Temperature (°C)     | 42    |
| CPU Board Minimum Temperature (°C)     | 27    |
| IR Light ON Hours (h)                  | 0     |

Рис. 75

### 10.3.6 Страница сети (Network Page)

**i** Чтобы устройство работало правильно, необходимо синхронизировать его с программным обеспечением VMS, используя NTP сервер.

Пункт меню Сети (Network) позволяет изменить настройки сети поворотного устройства. Можно решить, требуется ли устройству адрес, назначаемый статически, динамически с помощью DHCP или генерируемый самостоятельно. Устройство поддерживает Интернет-протокол (IP) версии 4.

На этой же странице можно настроить 2 DNS и решить, какие механизмы должны быть включены, чтобы автоматически определять устройства в локальной сети.

**NTP Server (Сервер NTP):** Также можно указать, требуется ли синхронизировать устройство с внешним сервером NTP (Протокол сетевого времени).

- **DISABLED:** Выберите эту опцию, если вы не хотите синхронизировать дату и время устройства.
- **DHCP:** Выберите эту опцию, если вы хотите синхронизировать дату и время устройства с данными NTP сервера (Протокол сетевого времени), указанными сервером DHCP.
- **STATIC:** Выберите эту опцию, если вы хотите синхронизировать дату и время устройства с данными NTP сервера, определенными статическим адресом.

**PC Sync:** Позволяет синхронизировать дату и время устройства с настройками используемого ПК (Команду необходимо выполнить повторно после каждого цикла выключения-включения устройства).

|                     |                         |
|---------------------|-------------------------|
| IP Version          | IPv4                    |
| Address Type        | STATIC                  |
| IP Address (IPv4)   | 192.168.0.106           |
| Subnet Mask (IPv4)  | 255.255.255.0           |
| Gateway (IPv4)      | 192.168.0.106           |
| DNS Auto Discovery  | DISABLED                |
| Primary DNS         | 8.8.8.8                 |
| Secondary DNS       | 8.8.4.4                 |
| Date & Time         | 2016-08-03 08:41:30 UTC |
| NTP Server          | DISABLED                |
| PC Sync             | DISABLED                |
| UPnP                | ENABLED                 |
| Zenconf             | ENABLED                 |
| Multicast Discovery | ENABLED                 |
| WS Discovery        | ENABLED                 |

Рис. 76

### 10.3.7 Страница пользователей (Users Page)

Пункт меню User Configuration (Пользовательские настройки) позволяет управлять данными всех пользователей, которые имеют доступ к устройству. Пользователи с правами администратора обладают доступом ко всей конфигурации устройства. Доступ Операторов, Пользователей и Анонимных пользователей к страницам с функциями управления ограничен.

Пользователям с ограниченными правами предоставляется доступ только к следующим страницам:

- Home (проверьте подвижность привода наклона/поворота, проверьте подсветку, включите стеклоочиститель, включите систему омывания, включите реле и предварительные настройки)
- Параметры Устройства
- Статистика Устройства

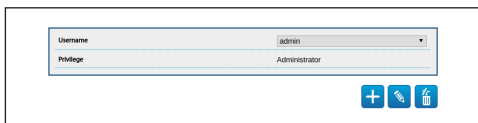


Рис. 77

Пароль может состоять только из следующих символов (a-z, A-Z, 0-9, ,\_-+@%/(-)\^\*[]{}#;~).

Некоторые камеры могут не поддерживать представленный выше набор символов.

### 10.3.8 Страница движений (Movements Page)

Пункт меню Движения (Movements) позволяет контролировать через интернет все параметры поворотного устройства.

- **Offset Pan (Смещение при повороте):** Поворотное устройство имеет механически заданное положение 0°. Функция смещения при повороте (Offset Pan) позволяет установить другое положение 0° при помощи программного обеспечения.
- **Economy Mode (Режим экономии):** Позволяет снижать крутящий момент двигателя, когда поворотное устройство находится в состоянии покоя, с целью сократить энергопотребление. Не включайте этот режим при сильном ветре или вибрациях.
- **Maximum Speed (Максимальная скорость):** Устанавливает максимальную скорость ручного перемещения (Manual Speed).
- **Ramp Type (Тип ускорения):** Позволяет выбирать ускорение поворотного устройства. (Время ускорения/замедления: 1=1,1с; 2=0,95с; 3=0,8с; 4=0,5с)
- **Speed with Zoom (Скорость в зависимости от увеличения):** При включении этот параметр автоматически снижает скорость поворотного устройства в соответствии с коэффициентом масштабирования.

- **Tilt Factor (Коэффициент наклона):** Устанавливает коэффициента уменьшения скорости ручного перемещения (Manual Speed) по вертикальной оси. Расчет скорости перемещения: скорость оси наклона = номинальная скорость наклона / коэффициент наклона.
- **Pan Limits (Ограничения поворота):** Включает ограничения поворота.
- **Pan Start (Начальная точка поворота):** Устанавливает начальную точку поворота.
- **Pan End (Конечная точка поворота):** Устанавливает конечную точку поворота.
- **Tilt Start (Начальная точка наклона):** Устанавливает начальную точку наклона.
- **Tilt End (Конечная точка наклона):** Устанавливает конечную точку наклона.
- **Sensitivity (Чувствительность):** Позволяет настроить чувствительность системы обнаружения нежелательных движений поворотного устройства. В случае превышения заданного порога, система осуществляет повторную калибровку поворотного устройства.

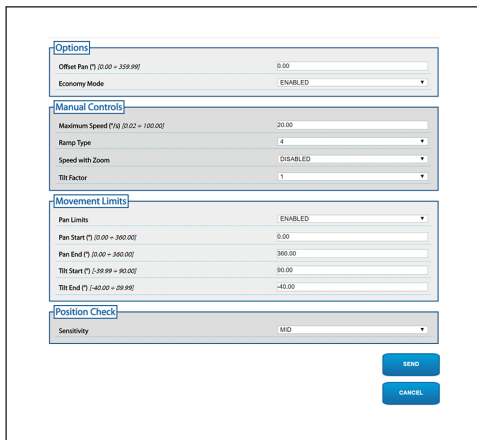


Рис. 78



### 10.3.9 Страница автоматического панорамного наблюдения (Autopan Page)

Пункт меню Автоматическое панорамное наблюдение (Autopan) позволяет указать предварительно установленные значения для включения и отключения автоматического панорамного наблюдения.

Можно установить скорость перемещения устройства между заданными точками.

Рис. 79

### 10.3.10 Страница патрулирования (Patrol Page)

Пункт меню Патрулирование (Patrol) позволяет указать предварительно установленные значения для включения и отключения патрулирования. Можно указать, производится ли сканирование предварительно установленной области произвольно или иным образом.

Рис. 80

### 10.3.11 Страница вызова движения (Motions Recall Page)

В пункте меню Вызов движений (Motions Recall) можно задать интервалы времени, через которые поворотное устройство выполнит определенные функции.

- **Типе (Тип):** Этот параметр позволяет выбрать функцию, которая выполняется после завершения интервала ожидания. Можно вызвать следующие функции: Home (Исходное положение), Autopan (Панорамное наблюдение) и Patrol (Патрулирование).
- **Timeout (Интервал ожидания):** Этот параметр позволяет задать длительность интервала ожидания.
- **Cyclic Re-calibration (Повторная калибровка):** Этот параметр задает интервал в часах, через который система должна выполнить процедуру повторной калибровки осей. Установите значение 0, чтобы отключить эту функцию.

Рис. 81

### 10.3.12 Страница предварительно установленных параметров (Preset Page)

Пункт меню Предварительно установленные параметры (Preset) позволяет произвести настройку некоторых параметров, относящихся к настройкам по умолчанию:

- **Scan Speed (Скорость сканирования):** Скорость, измеряемая в градусах в секунду, при которой достигается предварительно установленное значение в случае прямой команды оператора.
- **Speed of Movements Default (Скорость движений по умолчанию):** Скорость, используемая при автоматическом панорамном наблюдении и патрулировании.
- **Impose Default Speed (Установить скорость по умолчанию):** Используемая по умолчанию скорость также будет установлена в качестве скорости сканирования во всех предварительных настройках.
- **Default Dwell Time (Время ожидания по умолчанию):** Стандартное время в секундах, в течение которого устройство работает в режиме каждой предварительной настройки.
- **Impose Default Pause (Установить паузу по умолчанию):** Для всех предварительных настроек по умолчанию устанавливается пауза.

Рис. 82

### 10.3.13 Страница предварительных настроек (Дополнительно)

В разделе Предварительно установленные параметры (дополнительные) можно настроить значения скорости и паузы для каждого параметра, а также включить или отключить сами предварительно установленные настройки.

Значения скорости и паузы используются для управления режимом патрулирования.

Рис. 83

### 10.3.14 Страница цифровых входов (Digital Inputs Page)

Пункт меню цифровых входов (Digital Inputs) позволяет настроить цифровые каналы устройства. Далее представлено краткое описание настраиваемых параметров для каждого цифрового входа.

- **Alarm ID:** Это поле используется для выбора необходимого цифрового входа. Вход аварийного сигнала 5 находится внутри кожуха. Схема подключения представлена в главе (AL, COM, 7.4.3 Подключение камеры к сети, страница 18).
- **Input Description (Описание функции ввода):** Введите текстовое описание функции входа.
- **Type (Тип):** Указывает стандартное состояние цифрового входа.
- **Action (Действие):** Каждый вход можно привязать к определенному действию. Действие активируется, когда контакт находится в положении, отличном от стандартного. Доступные действия перечислены ниже:
  - **NONE (ОТСУТСТВУЕТ):** Нет действий.
  - **SCAN (СКАН):** Располагает поворотное устройство в соответствии с предварительной настройкой.
  - **PATROL (ПАТРУЛИРОВАНИЕ):** Активирует функцию PATROL (патрулирование).
  - **AUTOPAN (АВТОМАТИЧЕСКОЕ ПАНОРАМНОЕ НАБЛЮДЕНИЕ):** Активирует функцию AUTOPAN (автоматическое панорамное наблюдение).
  - **WIPER (СТЕКЛООЧИСТИТЕЛЬ):** Включение стеклоочистителя.
  - **WASHER (ОМЫВАТЕЛЬ):** Запускает последовательность очистки стекла.
  - **DNHOUSING:** Включите реле, расположенное в кожухе. Схема подключения представлена в главе(DN1, DN2, 7.4.3 Подключение камеры к сети, страница 18).
  - **RL1:** Активирует реле 1.
  - **RL2:** Активирует реле 2.
  - **IR FILT (ИК-ФИЛЬТР):** Выключение ИК-фильтра камеры. При наличии включает светодиодные осветители.

В целях проверки правильности работы сигналов тревоги на веб-странице появится точка. При нормальных условиях точка будет зеленой, при выявлении сигнала тревоги – красной.

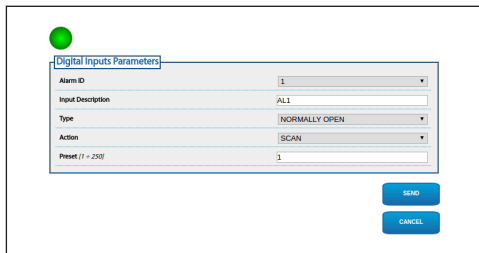


Рис. 84

### 10.3.15 Страница цифровых выходов (Digital Outputs Page)

Пункт меню цифровых выходов (Digital Outputs) позволяет настроить цифровые каналы устройства. Далее следует краткое описание настраиваемых параметров для каждого цифрового выхода.

- **Relay ID (Идентификатор реле):** Это поле используется для того, чтобы выбрать желаемый цифровой выход.
- **Output Description (Описание функции выхода):** Введите текстовое описание функции выхода.
- **Stand-by Status (Статус ожидания):** Здесь указывается состояние цифрового выхода, используемое по умолчанию.
- **Mode (Режим):** Указывает на режим включения цифрового выхода.
  - **MONOSTABLE (МОНОСТАБИЛЬНЫЙ):** В этом режиме выход включается на заданный интервал времени.
  - **BISTABLE (БИСТАБИЛЬНЫЙ):** В этом режиме выход включается на неопределенный интервал времени.
- **Activation Time (Время активации):** Указывает количество миллисекунд, в течение которых цифровой выход остается активным (действует только при выборе моностабильного режима).

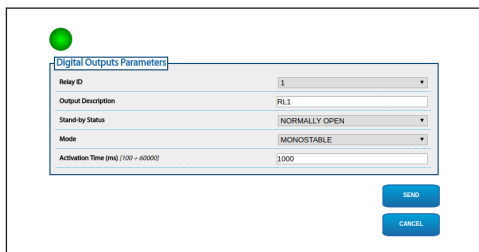


Рис. 85

Некоторые поля отображаются динамически, в зависимости от конфигурации системы.

### 10.3.16 Страница вспомогательных команд (Auxiliary Commands Page)

Меню Вспомогательные команды (Auxiliary Commands) позволяет изменить порядок команд, которые экспортируются через протокол ONVIF. Чтобы изменить порядок, просто перетащите вспомогательные команды, щелкнув по иконке в начале ряда. Для испытания команд можно использовать выделенную кнопку.

- **Change Order/Run Command (Изменить порядок / Запустить команду)**



Рис. 86



Рис. 87

После завершения процесса настройки необходимо повторно привязать устройство к программе управления видео, иначе изменения не вступят в силу.

### 10.3.17 Страница режима "ночь" (Night Mode Page)

Меню режима "ночь" (Night Mode) можно использовать для настройки активации осветителей.

Некоторые поля отображаются динамически, в зависимости от конфигурации системы.

- **Brightness Sensor (Датчик яркости):** Настраивает метод определения освещенности помещения, чтобы переключаться в режим "ночь".
  - **EXTERNAL (ВНЕШНИЙ):** Анализ освещенности помещения через вход сигнала тревоги.
  - **ILLUMINATORS (ОСВЕТИТЕЛИ):** Анализ освещенности помещения с помощью фотоэлемента осветителей.
  - **CAMERA (КАМЕРА):** Анализ освещенности помещения с помощью камеры.
  - **NONE (ОТСУТСТВУЕТ):** Ручная активация на веб-странице или с помощью вспомогательной команды ONVIF.
- **IR Camera Filter Synchronization (Синхронизация ИК-фильтра камеры):** Позволяет убрать ИК-фильтр, когда система работает в режиме "ночь".
- **Slave Illuminator Activation (Активация подчиненного осветителя):** Настраивает режим активации подчиненного осветителя.
  - **MANUAL (РУЧНАЯ):** Процедура работы осветителя в ручном режиме.
  - **SAME AS THE MASTER (АНАЛОГИЧНО ГЛАВНОМУ):** Процедура активации подчиненного осветителя вместе с главным.
- **ZOOM FACTOR (КОЭФФИЦИЕНТ МАСШТАБИРОВАНИЯ):** Процедура активации подчиненного осветителя в ситуации, когда главный осветитель активирован, а коэффициент масштабирования больше, чем заданное значение. Функция доступна только при наличии моторизованных объективов с потенциометрами или дополнительного модуля камеры видимого спектра.
- **PRESET POSITIONS (ПРЕДВАРИТЕЛЬНО УСТАНОВЛЕННЫЕ ПОЛОЖЕНИЯ):** Процедура активации подчиненного осветителя в ситуации, когда главный осветитель активирован, а поворотное устройство находится в одном из указанных предварительно установленных положений.

- **Camera Parameters (Параметры камеры):** Позволяет установить уровни и задержки переключения между режимами "день-ночь".
  - **Day-Night Threshold (Пороговое значение "день-ночь"):** Позволяет определить уровень, ниже которого поворотное устройство переключается в режим "ночь".
  - **Night-Day Threshold (Пороговое значение "ночь-день"):** Позволяет определить уровень, выше которого поворотное устройство переключается в режим "день".
  - **Day-Night Delay (Задержка режима "день-ночь")** Позволяет установить промежуток времени в секундах, в течение которого параметр освещенности должен держаться ниже порогового значения "ночь".
  - **Night-Day Delay (Задержка режима "ночь-день"):** Позволяет установить промежуток времени в секундах, в течение которого параметр освещенности должен держаться выше порогового значения "день".
- **Slave Illuminator Zoom Threshold (Пороговое значение увеличения для подчиненного осветителя):** Когда активирован режим "ночь", этот параметр указывает на уровень увеличения, при превышении которого активируется подчиненный осветитель.
- **Slave Illuminator Preset List (Список предварительных настроек подчиненного осветителя):** Когда активирован режим "ночь", эта функция позволяет указать, какие предварительные настройки подчиненного осветителя будут активированы.

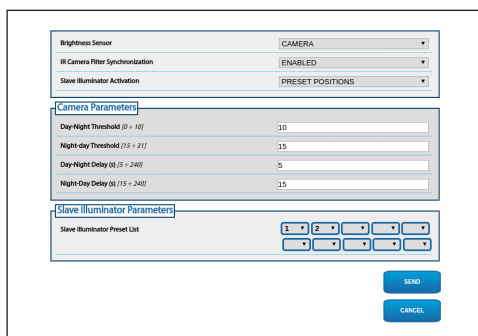


Рис. 88

### 10.3.18 Страница мощей системы

Страница настройки доступна только при наличии соответствующей принадлежности (11.1 Омыватель (Washer), страница 50).

Меню Омыватель (Wash System) позволяет настроить функции мойки системы устройства.

Виртуальная клавиатура позволяет передвигать устройство. Используйте выпадающее меню под виртуальной клавиатурой, чтобы установить скорость.

Широкоугольный объектив (Wide Zoom) и телеобъектив с трансфокатором (Tele Zoom) позволяют управлять углом обзора.

- **Go to the Nozzle Position/Save the Nozzle Position (Перейти к положению сопла / Сохранить положение сопла):** Устройство размещает окно коужа в соответствии с сохраненным положением сопла. При необходимости можно сохранить новое положение сопла.



Рис. 89

- **Wash System Activation (Активация мощей системы):** Выполняется тестирование процедуры мойки.



Рис. 90

- **Pump Status (Статус насоса):** Отображается статус реле, управляющего насосом. Красный цвет указывает на то, что насос работает. Зеленый цвет указывает на то, что насос выключен.



Рис. 91

- **Wiper-on Delay:** Промежуток времени, который проходит между моментом подачи воды и моментом включения стеклоочистителя.
- **Wash Cycle Duration (Продолжительность цикла мойки):** Продолжительность подачи воды насосом.
- **Задержка Выключения Стеклоочистителя:** Продолжительность цикла очистки щеткой после прекращения подачи воды.

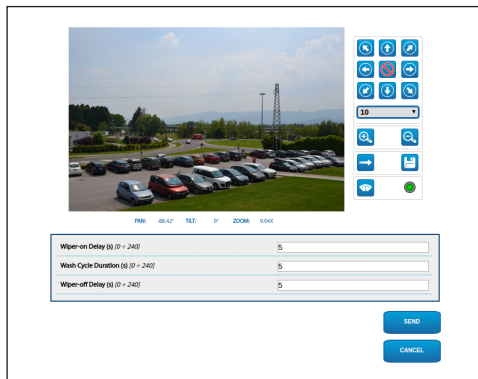


Рис. 92

## 10.3.19 Страница настроек камеры (Camera Setting Page)

### 10.3.19.1 Камера другого производителя



**Продукт с самостоятельно генерированным IP-адресом не может передавать потоковое видео. Убедитесь, что сервер DHCP доступен или, при необходимости, установите IP-адрес, не относящийся к классу "локальный, 169.254.x.x/16" (10.3.6 Страница сети (Network Page), страница 39).**

Через пункт меню Настройки камеры (Camera Setting) вы можете выйти на веб-страницу установленной камеры. Настройку параметров видеопотока необходимо выполнить с помощью протокола ONVIF, используя совместимую систему VMS или приложение Onvif Device Manager (рекомендуемый выбор). Если требуется изменить поток видео непосредственно на веб-странице камеры, необходимо перезапустить поворотное устройство после окончания настройки.

### 10.3.19.2 Модуль камеры видимого спектра

Некоторые поля отображаются динамически, в зависимости от конфигурации системы.

Пункт меню Настройки камеры (Camera Setting) позволяет настроить встроенные каналы устройства:

- **Zoom (Увеличение):** Параметры настройки
  - **Digital Zoom (Цифровое увеличение):** Позволяет включить или выключить цифровое увеличение. (в дополнение к оптическому).
  - **Zoom Speed (Скорость увеличения):** Позволяет настроить скорость при ручном режиме управления.
- **Focus (Фокусировка):** Параметры настройки
  - **Autofocus Mode (Режим автоматической фокусировки):** Позволяет производить настройку автоматической фокусировки в режиме непрерывной работы (CAMERA TRIGGER) или в конце движения (PTZ TRIGGER).
  - **Чувствительность автофокусировки:** НОРМАЛЬНАЯ: Быстрая фокусировка при частых движениях. НИЗКАЯ: Улучшает стабильность фокусировки, особенно в случае плохо освещенных мест или высокого уровня шума.
  - **Focus Speed (Скорость фокусировки):** Позволяет настроить скорость при ручном режиме управления.
- **Exposure (Экспозиция):** Параметры настройки
  - **Exposure Mode (Режим экспозиции):** Этот параметр позволяет настроить алгоритм экспозиции (АВТО (AUTO), РУЧНОЕ РЕГУЛИРОВАНИЕ (MANUAL), ДИАФРАГМА (IRIS), ЗАТВОР (SHUTTER), ЯРКОСТЬ (BRIGHT)). Соответствующие поля управления отображаются в зависимости от выбранного режима.
  - **High Sensitivity (Высокая чувствительность):** В этом режиме максимальное усиление повышается для получения более светлых изображений даже при съемках в темноте.
  - **Backlight Compensation (Компенсация встречной засветки):** Этот параметр позволяет включить режим компенсации встречной засветки.
  - **Auto Slowshutter (Автоматическое замедление затвора):** Этот параметр позволяет активировать режим сканирования с низкой скоростью передачи кадров.
  - **Gain Limit (Предел усиления):** Этот параметр позволяет определить максимальное значение усиления для алгоритма экспозиции.
  - **Exposure Compensation (Компенсация выдержки):** Этот параметр позволяет настроить яркость снимаемого видео.
  - **Значение компенсации:** Этот параметр определяет коррекцию яркости изображения.

- **White Balance (Баланс белого):** Параметры настройки
- **Mode (Режим):** Позволяет настраивать баланс белого в автоматическом или ручном режиме.
- **Wide Dynamic Range (Широкий динамический диапазон):** Параметры настройки
  - **Wide Dynamic Range (Широкий динамический диапазон):** Данный параметр позволяет включить функцию улучшения контраста между освещенными и теневыми зонами. Visibility Enhancer (VE) позволяет оптимизировать съемку, убирая минимальный шум.
- **Light Level (Уровень яркости):** Этот параметр активирует среднее пороговое значение яркости для съемок.
- **Brightness Compensation Selection (Выбор компенсации яркости):** Этот параметр позволяет определить зону, в которой производится компенсация яркости.
- **Compensation Level (Уровень компенсации):** Этот параметр позволяет определить уровень компенсации для выбранной зоны.
- **Options (Варианты):** Параметры настройки
  - **Image Stabiliser (Стабилизатор изображения):** Этот параметр позволяет включить электронный стабилизатор изображения.
  - **Noise Reduction (Уменьшение шума):** Этот параметр позволяет определить уровень и применяемый режим (2D, 3D) уменьшения шума.
  - **High Resolution (Высокое разрешение):** Этот параметр активирует усиление контуров и позволяет получить более четкое изображение.
  - **Sharpness (Резкость):** Этот параметр позволяет определить уровень резкости контура.

- **Defog Mode (Режим "Антитуман"):** Этот параметр позволяет включить функцию улучшения обзора при тумане.
- **Highlight Correction (Коррекция светлых участков):** Этот параметр позволяет включить функцию маскировки чрезмерно освещенных зон.
- **Masking Level Overexposure Correction (Уровень маскировки для коррекции освещенности):** Этот параметр позволяет определить уровень яркости, при превышении которого применяется маскировка.

The screenshot displays a configuration menu with several sections, each containing a list of settings with dropdown menus:

- Zoom:** Digital Zoom (DISABLED), Zoom Speed (4)
- Focus:** Autofocus Mode (PTZ TRIGGER), Focus Speed (4)
- Exposure:** Exposure Mode (AUTO), High Sensitivity (OFF), Backlight Compensation (OFF), Auto Slowshutter (ON), Gain Limit (dB) (15.4), Exposure Compensation (OFF)
- White Balance:** Mode (OUTDOOR AUTO)
- Wide Dynamic Range:** Wide Dynamic Range (ON), Light Level (3), Brightness Compensation Selection (STANDARD), Compensation Level (MID)
- Options:** Image Stabiliser (OFF), Noise Reduction (OFF), High Resolution (OFF), Sharpness (1), Defog Mode (OFF), Highlight Correction (OFF), Masking Level Overexposure Correction (OFF)

At the bottom right of the interface, there are two buttons: "SEND" and "CANCEL".

**Рис. 93**

Настройку параметров видеопотока необходимо выполнить с помощью протокола ONVIF, используя совместимую систему VMS или приложение Onvif Device Manager (рекомендуемый выбор).

### 10.3.20 Страница маскировки (Masking Page)

Страница настройки доступна только при наличии соответствующей принадлежности (11.6 Модуль камеры видимого спектра, страница 51).

Меню Маскировка (Masking) позволяет определить зоны, которые будут маскироваться в видео.

Виртуальная клавиатура позволяет передвигать устройство. Используйте выпадающее меню под виртуальной клавиатурой, чтобы установить скорость.

Кнопки Патрулирование (Patrol), Сканировать предварительную настройку (Scan Preset) и Домой (Home) используются для активации соответствующих функций.

- **Selecting the Mask (Выбор маски)**



Рис. 94

- **Masking Mode (Режим маскировки):** Во время движения поворотного устройства можно затемнить отдельные участки видеозображения. При достижении заданного положения все видео затемняется. Доступны два режима маскировки. Режим ПОВОРОТ-НАКЛОН (PAN-TILT) активирует маску, основанную на координатах горизонтальной и вертикальной осей. Режим ПАНОРАМНОЕ НАБЛЮДЕНИЕ (PAN) активирует маску, основанную только на координатах горизонтальной оси.



Рис. 95

- **Mask Start Position (Положение для запуска маски):** Позволяет настроить положение для запуска маски.



Рис. 96

- **Mask Stop Position (Положение для остановки маски):** Позволяет настроить положение для остановки маски.



Рис. 97

- **Enables Mask/Disables Mask/Positions in the Centre of the Mask/Delete all Masks (Включает маску/Отключает маску/Положение в центре маски/Удалить все маски)**



Рис. 98



Рис. 99



### 10.3.21 Страница системного журнала (System Log Page)

Меню Системный журнал (System Log) используется для просмотра истории событий.

Система способна выявлять различные типы изменений статуса.

Кнопки под окном журнала позволяют выбрать фильтр в зависимости от уровня критичности событий.

- **Error Level (Уровень ошибки):** Отображаются только критические ошибки.
- **Warning Level (Уровень предупреждения):** Отображаются ошибки, которые могут нарушить правильную работу системы.
- **Download Files (Скачать файлы):** Позволяет скачать файлы журнала.

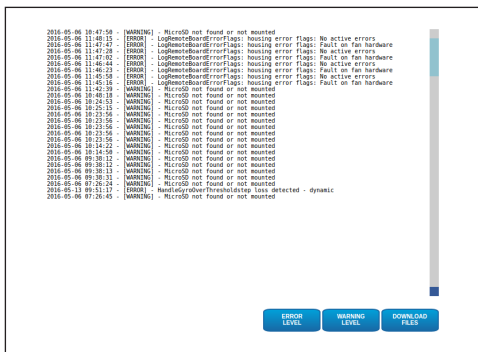


Рис. 100

### 10.3.22 Страница инструментов (Tools Page)

Пункт меню Инструменты (Tools) позволяет изменять предварительно установленные значения всей конфигурации устройства или некоторых отдельных разделов.

Этот раздел позволяет:

- Обновить прошивку устройства.
- Сохранить или загрузить файлы, содержащие настройки конфигурации устройства.
- Скопировать или загрузить настройки конфигурации с карты памяти micro SD.
- Перезапустить устройство.

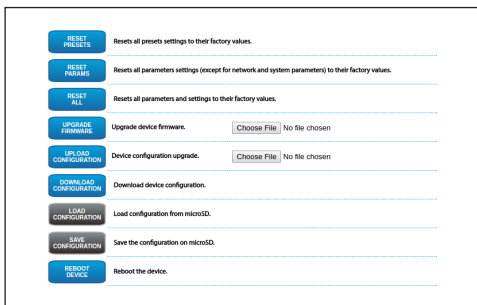


Рис. 101

## 11 Комплектующие

**i** Дополнительная информация по конфигурации и использованию представлена в соответствующем руководстве.

### 11.1 Омыватель (Washer)

Поворотное устройство может быть оснащено внешним насосом, который подает воду на очищаемое стекло.

При задействовании элемента управления поворотное устройство размещается таким образом, чтобы окошко находилось перед соплом.. Насос и стеклоочиститель активируются на определенный период времени. После завершения действия поворотное устройство возвращается в исходное положение.

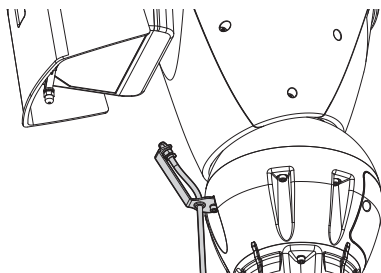


Рис. 102

**i** Более подробная информация представлена в соответствующей главе (10.3.18 Страница мойщей системы, страница 45).

### 11.2 Опорный кронштейн для светодиодных осветителей

Для установки светодиодных осветителей VIDEOTEC, на устройство необходимо установить опорный кронштейн.

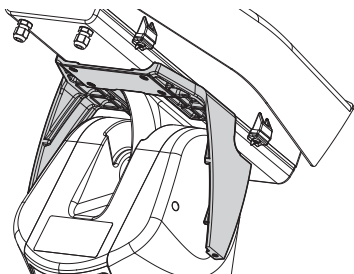


Рис. 103 UPTIRNBKT.

### 11.3 Светодиодные осветители

Устройство может быть оснащено светодиодными осветителями.

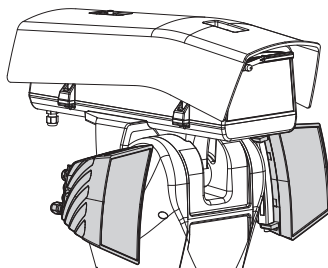


Рис. 104 UPTIRN.

**i** Более подробная информация представлена в соответствующей главе (8.7 Установка светодиодных осветителей (дополнительные функции), страница 27).

### 11.4 Кронштейн для крепления на стене

Настенный кронштейн с внутренним кабельным каналом.

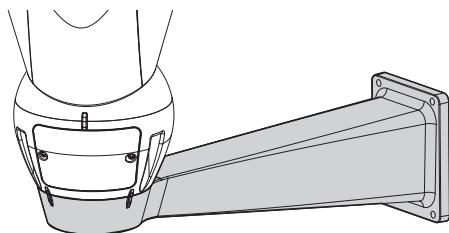


Рис. 105 UPTWBA.

### 11.5 Кронштейн для крепления параллельно потолку

Кронштейн для крепления параллельно потолку с внутренним кабельным каналом.

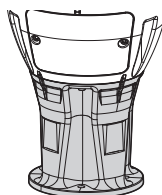


Рис. 106 UPTWBTAB.

## 11.6 Модуль камеры видимого спектра

Устройство может быть оснащено камерой видимого спектра.

Дополнительная камера Full HD1080p, 30x (4,3-129мм), 60fps, температура до +65°C.

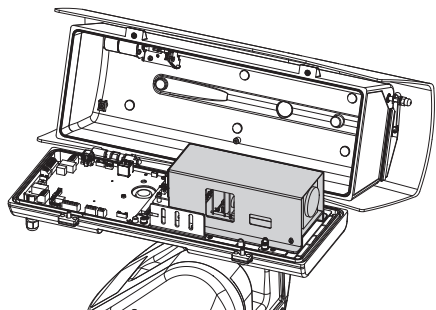


Рис. 107 CAMHD30X.

**i** Более подробная информация представлена в соответствующей главе (7.4.6 Установка модуля камеры видимого спектра (опция), страница 20).

## 11.7 Обогреваемое стекло с защитой от обледенения

Изделие может быть оснащено обогреваемым стеклом с защитой от обледенения

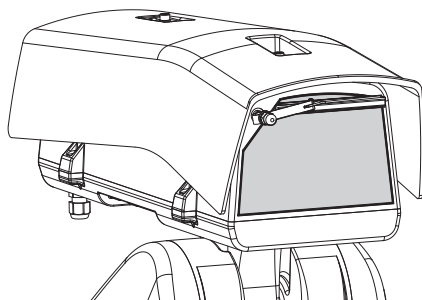


Рис. 108 UPTBVTR.

**i** Более подробная информация представлена в соответствующей главе (7.4.7 Установка верхней части кожуха с противообледенительным обогреваемым стеклом и стеклоочистителем (опция), страница 21).

## 12 Техническое обслуживание



Перед проведением любых технических операций с устройством убедитесь, что источник питания отключен.



Техническое обслуживание должны производить сотрудники, прошедшие обучение по работе с электрическими цепями.

При обращении в службу технической поддержки VIDEOTEC или официальный сервисный центр, необходимо указать серийный номер изделия (4.3 Маркировка изделия, страница 11 и 10.3.4 Страница параметров устройства (Device Parameters Page), страница 39).

### 12.1 Замена предохранителей



**ПРЕДУПРЕЖДЕНИЕ!** Для обеспечения постоянной защиты от опасности возгорания при замене предохранителей используйте только предохранители того же вида и номинала. Только обслуживающий персонал может проводить замену предохранителей.

При необходимости можно заменить предохранители платы подключения (8.2.1 Описание платы подключения, страница 23). Новые предохранители должны соответствовать указаниям, приведенным в таблице.

| ЗАМЕНА ПРЕДОХРАНИТЕЛЕЙ |                      |                       |                   |
|------------------------|----------------------|-----------------------|-------------------|
| Напряжение             | Предохранитель F1    | Предохранитель F2     | Предохранитель F3 |
| 24Vac,<br>50/60Hz      | T 10A H 250V<br>5x20 | T 6.3A H 250V<br>5x20 | T 4A H 250V 5x20  |
| 120Vac,<br>50/60Hz     | T 4A H 250V 5x20     |                       |                   |
| 230Vac,<br>50/60Hz     | T 4A H 250V 5x20     |                       |                   |

Табл. 9

## 13 Очистка

### 13.1 Очистка окошка и пластиковой крышки



Не используйте этиловый спирт, растворители, гидрированный углеводород, сильные кислоты и щелочи. Подобные вещества могут необратимо повредить поверхность устройства.

Мы рекомендуем использовать мягкую ткань с нейтральным мылом, разведенным в воде, или специальные вещества для очистки стеклянных объектов.

### 13.2 Очистка германиевого окна



Очищая окно, постарайтесь не поцарапать и не повредить внешнюю поверхность с графитовым покрытием. Повреждение этого покрытия может негативно отразиться на прозрачности поверхности для инфракрасного излучения.

Очистку следует производить с помощью мягкого мыльного раствора.

## 14 Утилизация отходов



Соответствующий символ и система переработки отходов используются только в странах ЕС и не применяются в странах других регионов мира.

Ваше устройство разработано и произведено из высококачественных материалов и компонентов, которые могут быть переработаны и использованы повторно.

Этот символ обозначает, что электрическое и электронное оборудование после окончания его срока службы следует утилизировать отдельно от бытовых отходов.

Передайте это оборудование в центр сбора отходов или центр переработки мусора вашего населенного пункта.

В Европейском Союзе существуют отдельные системы сбора бывших в употреблении электрических и электронных устройств.

# 15 Устранение неисправностей

**i** Обратитесь в техническую поддержку или авторизованный сервисный центр компании VIDEOTEC в случае, если перечисленные ниже проблемы не удается устранить или если вы столкнулись с не описанными здесь проблемами.

## НЕИСПРАВНОСТЬ Устройство не включается.

**ПРИЧИНА** Ошибка при подключении, перегорел предохранитель.

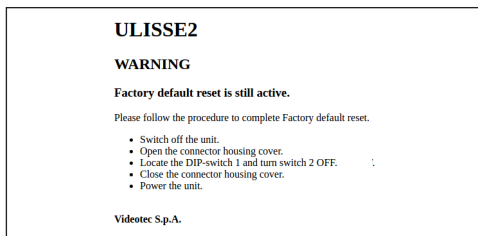
**РЕШЕНИЕ** Убедитесь, что подключение выполнено надлежащим образом. Проверьте целостность предохранителей и замените их на указанные модели при наличии неисправностей.

## НЕИСПРАВНОСТЬ При особой настройке увеличения кожух или солнцезащитный козырек закрывают снимаемую область (только для моделей с приводным зум-объективом).

**ПРИЧИНА** Камера или объектив расположены слишком далеко от окна.

**РЕШЕНИЕ** Отрегулируйте положение камеры и объектива.

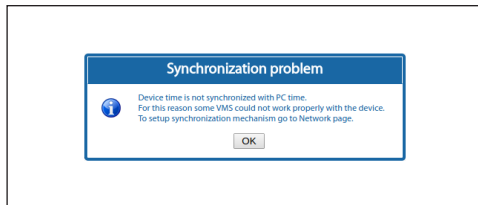
## НЕИСПРАВНОСТЬ В интерфейсе программного обеспечения отображается следующее сообщение:



**ПРИЧИНА** DIP-переключатель по умолчанию находится в положении Вкл. (ON).

**РЕШЕНИЕ** Следуйте инструкциям, приведенным в следующей главе (8.3.2 Описание процедуры установки заводских настроек, страница 26).

## НЕИСПРАВНОСТЬ В интерфейсе программного обеспечения отображается следующее сообщение:



**ПРИЧИНА** Сервер NTP недоступен или не настроен.

**РЕШЕНИЕ** Проверьте функционирование сервера. На странице настройки сети проверьте правильность настроек. Если сервер недоступен, устройство можно синхронизировать по дате и времени ПК, который управляет устройством (после перезапуска дата и время сбрасываются).

## НЕИСПРАВНОСТЬ В системном журнале появляется сообщение об ошибке: Неисправность аппаратной части осветителей или частота питающей сети вне диапазона.

**ПРИЧИНА** Предохранитель F3 перегорел или частота питающей сети вышла за допустимый диапазон.

**РЕШЕНИЕ** Проверьте целостность предохранителя и замените его, если он перегорел. Проверьте частоту питающей сети поворотного устройства.

**НЕИСПРАВНОСТЬ** В системном журнале появляется сообщение об ошибке: **MicroSD...**

**ПРИЧИНА** Система не поддерживает установленную карту microSD.

**РЕШЕНИЕ** Проверьте совместимость карты microSD и системы. В случае сбоя замените карту microSD.

**НЕИСПРАВНОСТЬ** В системном журнале отображаются ошибки аппаратного обеспечения нагревателя (**Error on heater hardware**), устройства защиты от запотевания (**Error on demist hardware**) и вентилятора (**Error on fan hardware**).

**ПРИЧИНА** Система не способна правильно определить наличие главных салазок в кожухе.

**РЕШЕНИЕ** Убедитесь, что главные салазки установлены правильно.

**НЕИСПРАВНОСТЬ** В интерфейсе программного обеспечения отображается следующее сообщение:



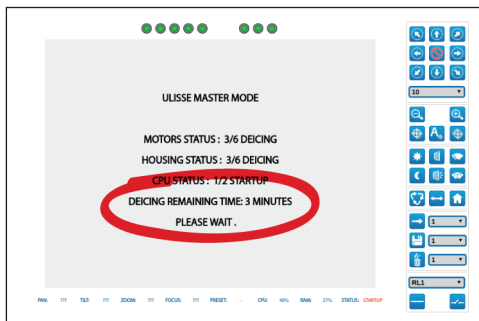
**ПРИЧИНА** Неправильное подключение или неверная конфигурация камеры.

**РЕШЕНИЕ** Проверьте питание и Ethernet-кабель камеры. Убедитесь, что выполнена предварительная настройка камеры и настройка аппаратных средств устройства.

**ПРИЧИНА** Неправильная конфигурация протокола ONVIF камеры.

**РЕШЕНИЕ** Проверьте настройки протокола ONVIF и учетные данные для доступа к камере.

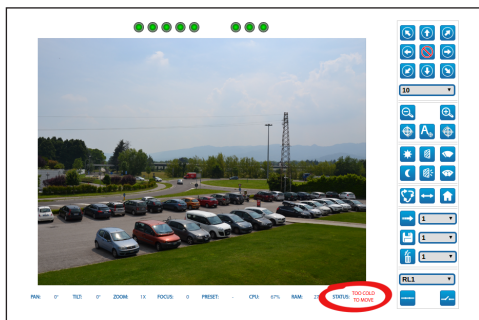
**НЕИСПРАВНОСТЬ** При запуске поворотное устройство остается в заблокированном положении, и в интерфейсе программного обеспечения отображается следующее сообщение:



**ПРИЧИНА** Температура воздуха очень низкая.

**РЕШЕНИЕ** Подождите до окончания процедуры предварительного подогрева.

**НЕИСПРАВНОСТЬ** В интерфейсе программного обеспечения отображается следующее сообщение:



**ПРИЧИНА** Слишком низкая температура окружающей среды.

**РЕШЕНИЕ** Движения поворотного устройства заблокированы, чтобы предотвратить механические повреждения.

**НЕИСПРАВНОСТЬ** Невозможно сфокусировать изображение с помощью объектива с приводом:

**ПРИЧИНА** Некорректная регулировка заднего фокуса.

**РЕШЕНИЕ** Выполните следующую процедуру при кадрировании изображения объекта, удаленного не менее чем на 20 метров.

- 1-Полностью откройте диафрагму
- 2-Включите теле-зум.
- 3-Сфокусируйте камеру на объекте с помощью функций Focus far (Фокус дальше)/Focus near (Фокус ближе).
- 4-Включите широкоугольный зум.
- 5-Сфокусируйте камеру на объекте с помощью механизма регулировки заднего фокуса камеры (Back Focus).
- 6-Включите теле-зум и сфокусируйте камеру на объекте с помощью функций Focus far (Фокус дальше)/Focus near (Фокус ближе).
- 7-Включите широкоугольный зум и проверьте фокус.

# 16 Технические характеристики

## 16.1 Общие характеристики

|  |
|--|
| Изготавливается из алюминия и технополимера                                  |
| Эпоксиполиэстеровое порошковое покрытие, цвет RAL9002                        |
| Верхнее крепление  |
| Простота установки благодаря одному торцовому ключу и невыпадающим винтам    |
| Высокая плавность движения   |
| Безззорный привод с зубчатым ремнем  |
| Определение положения поворота/наклона/увеличения с помощью протокола ONVIF  |
| Контактное кольцо  |
| Электронные ограничители поворота  |
| Встроенный стеклоочиститель  |
| Слот для карты Micro SD для настройки и хранения журналов                    |
| Кожух оснащен системой приточной вентиляции                                  |
| Нулевая коррекция по механической горизонтальной оси (смещение при повороте) |
| Электронное ограничение вертикальной и горизонтальной оси                    |

## 16.2 Технические характеристики

|  |
|--|
| Кабельные муфты: 2xM20 + 1xM16 + специальное уплотнительное кольцо для кабелей RJ45  |
| Вращение по горизонтали: непрерывное   |
| Вертикальное перемещение: от +90° до -40° <ul style="list-style-type: none"><li>• Переменная скорость горизонтального движения: от 0,02°/с до 100°/с (от 0,02°/с до 50°/с с осветителями)</li><li>• Переменная скорость вертикального движения: от 0,02°/с до 50°/с (от 0,02°/с до 50°/с с осветителями)</li></ul> |
| Устройство автоматически снижает скорость в соответствии с увеличением дополнительной камеры и работой объективов с приводами и потенциометром   |
| Точность предварительно установленных положений: 0.02°   |
| Пространство внутри корпуса (ШxВxD): 100x100/60x414мм (3,9x3,9/2,4x16,3дюймов) (См. чертежи)   |
| Вес устройства: 20,4кг   |
| Корпус открывается сбоку   |



## 16.3 Окно кожуха

Окно мегапиксельных камер: (WxH) 125 x 91 мм

Германиевое окно (рабочий диаметр: 61мм)

- Толщина: 2 мм
- Обработка внешней поверхности: защита от царапин Высокопрочное углеродное покрытие (DLC) + защита от бликов
- Обработка внутренней поверхности: защита от бликов
- Спектральный диапазон: от 7,5μm до 14μm
- Средний коэффициент пропускания (от 7,5μm до 11,5μm): 90%
- Средний коэффициент пропускания (от 11,5μm до 14μm): 77%

Германиевое окно (рабочий диаметр: 66 мм)

- Толщина: 4 мм
- Обработка внешней поверхности: защита от царапин Высокопрочное углеродное покрытие (DLC) + защита от бликов
- Обработка внутренней поверхности: защита от бликов
- Спектральный диапазон: от 8 μm до 14μm

## 16.4 Электрические характеристики

Напряжение сети/Потребление тока:

- 230Vac ±10%, 1.1A, 50/60Hz
- 24Vac ±10%, 10A, 50/60Hz
- 120Vac ±10%, 2A, 50/60Hz

Потребление энергии:

- 27W, поворотное устройство остановлено, подогрев выключен, без камеры
- 34W, поворотное устройство остановлено, подогрев выключен, камера 30x
- 49W, поворотное устройство в движении, подогрев выключен, камера 30x
- 97W, поворотное устройство в движении, подогрев включен, осветители выключены
- 157W, поворотное устройство в движении, подогрев включен, включенные осветители, камера 30x

Сечение сигнального кабеля: от 0.5мм<sup>2</sup> (20AWG) до 1.5мм<sup>2</sup> (16AWG)

Входы сигнала тревоги с автономным источником питания: 4

Релейные выходы: 2 (1 A, 30 Vac/dc макс.)

Нагнетаемый воздух с регулируемой температурой создает систему, препятствующую возникновению конденсата на окне

Система против обледенения и стекло с подогревом, 7 Вт макс. (дополнительно)

## 16.5 Сеть

Ethernet подключение: 100 Base-TX

- Сетевые протоколы: IPv4, HTTP, Bonjour, DNS, NTP, RTSP, RTP, TCP, UDP, IGMP, RTCP, ICMP, DHCP, ARP, ONVIF profile S
- Поддерживаемые системы защиты: защита паролем (дайджест-аутентификация и безопасность веб-служб)

## 16.6 Камера

### Технические характеристики камер, которые можно установить

Возможные режимы связи с IP камерой:

- поворотное устройство управляет камерой через протокол ONVIF-S (PTZ - главное устройство)
- камера управляет поворотным устройством через последовательный порт RS485 (камера - главное устройство)

Режим связи с IP камерой, включенный с помощью DIP-переключателя

Номинальная скорость видеопотока (общая для всего потока камеры) 60 мегабит/с

Настройка IP камеры через прямое подключение к веб-странице камеры

Управление PTZ-устройством (только в режиме "камера - главное устройство"): RS485, протокол Pelco-D, скорость передачи данных 9600

Питание камеры: Питание камеры: 12V, 1,5A макс. с функцией обогрева

Питание привода объектива: 6-9-12-15 Vdc, 200 mA макс.

Питание потенциометра объектива: 5 В, 15 mA макс.

Управление объективами: общая линия ZF, отдельная линия ZF или RS485

Устройство включения объективов с приводом для автоматической фокусировки: реле

Управление устройством включения объективов: импульсный сигнал 500 м/с, импульсный сигнал 15 с, нормально разомкнутый, нормально замкнутый

Синхронизация камеры "день-ночь": ONVIF или реле

Экспорт входа/выхода камеры: 1 вход с автономным источником питания, 1 релейный выход

Максимальный вес камеры + объектива: 2,3 КГ

### Дополнительное устройство для камеры VIDEOTEC (код CAMHD30X)

Day/Night Full HD 30x

Датчик изображения: КМОП-датчик 1/2,8 Exmor™

Эффективные пиксели: примерно 2,38 мегапикселя

Минимальное освещение, цветное (ICR выключен):

- 1.4lx, 1/30s, 50 IRE (Обычный режим)
- 0,35lx, 1/30 с, 50 IRE (Режим высокой чувствительности)
- 0,19lx, 1/3 с, 50 IRE (Обычный режим)
- 0,05lx, 1/3 с, 50 IRE (Режим высокой чувствительности)

Минимальное освещение, Ч/Б (ICR включен):

- 0,05lx, 1/30 с, 50 IRE (Обычный режим)
- 0,013lx, 1/30 с, 50 IRE (Режим высокой чувствительности)
- 0,002lx, 1/3 с, 30 IRE (Режим высокой чувствительности)

Объектив: f=4,3mm (широкоугольный) ~ 129,0mm (теле), от F1.6 до F4.7

Оптическое увеличение: 30x (360x с цифровым увеличением)

Горизонтальный угол обзора: 63.7° (широкоугольный), 2.3° (теле)

Минимальное расстояние до объекта: 10mm (широкоугольный) ~ 1200mm (теле)

Электронный затвор: 1/1 до 1/10 000 с, 22 прогона

Баланс белого (white balance): Авто (Auto), ATW, Внутреннее наблюдение (Indoor), Наружное наблюдение (Outdoor), Автоматический режим для наружного наблюдения, Натриевая лампа (Фикс., Авто (Auto)), Автоматический режим для наружного наблюдения), Одним нажатием кнопки (One-push), Ручное регулирование (Manual)

Усиление: Авто (Auto), Ручное регулирование (Manual), Предел усиления (от 3dB до 43dB, прог.: 3dB)

Широкий динамический диапазон (Wide Dynamic Range): Включить/Выключить/Улучшение видимости, Уровень яркости, Выбор компенсации яркости, Уровень компенсации

Система фокусировки: Авто (Auto) (Чувствительность (Sensitivity): Норм. (Normal), Низкая (Low)), Ручное регулирование (Manual), Устройство включения PTZ-устройства

Управление экспозицией: Авто (Auto), Компенсация экспозиции (EV Compensation), Ручное регулирование (Manual), Приоритет (Приоритет выдержки, Приоритет диафрагмы), Яркость (Brightness), Снижение скорости автоматической экспозиции (Slow AE)

Коэффициент сигнал-шум: 50dB

Широкий динамический диапазон: 130dB

Функция De-fog ("Антитуман"): On/Off (Включить/Выключить)

Скорость в соответствии с увеличением

Маскировка при увеличении (угол поворота и угол поворота+наклона)

Электронный стабилизатор

## 16.7 Окружающая среда

Внутреннее наблюдение (Indoor)/Наружное наблюдение (Outdoor)

Рабочая температура: от -40°C до +65°C

Включение функции обогрева: от -40°C до -10°

Устойчивость к ветру

- Поворотное устройство остановлено: 220км/ч макс.
- Поворотное устройство в движении, при максимальной скорости, со светодиодными осветителями: 140 км/ч макс.

Относительная влажность: от 10% до 95% (без образования конденсата)

## 16.8 Сертификаты

Электробезопасность (CE): EN60950-1, IEC60950-1

Электромагнитная совместимость (CE): EN50130-4, EN61000-6-4, EN55022 (Класс А), EN55032 (Класс А), FCC Part 15 (Класс А)

Установка вне помещений (CE): EN60950-22, IEC60950-22

Степень защиты IP: EN60529, IP66

Защита от солевого тумана: EN50130-5, EN60068-2-52

Сертификат UL: cULus Listed,TYPE 4X (Только модели 24 Vac и 120 Vac)

Сертификат EAC

Испытание на виброустойчивость: EN50130-5 Кл. 22, Кл. 23 (EN60068-2-6)

# 17 Технические чертежи

**i** Размеры в чертежах выражены в миллиметрах.

RU - Русский - Руководство по эксплуатации

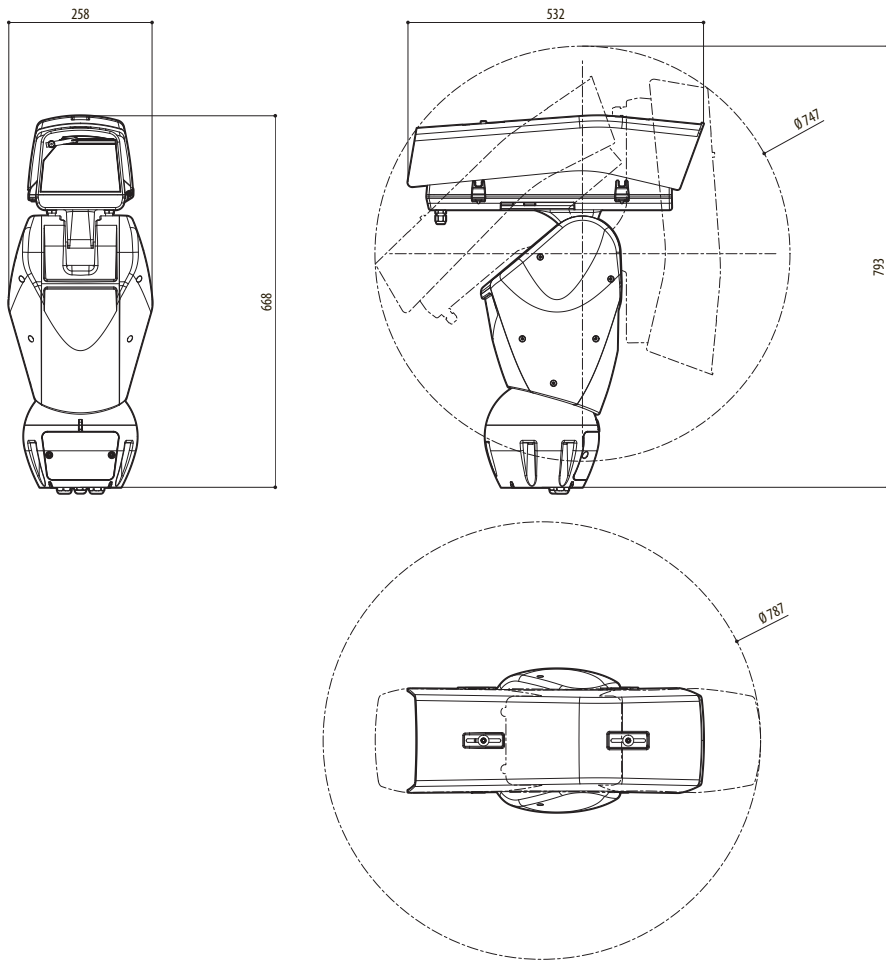


Рис. 109 ULISSE2.

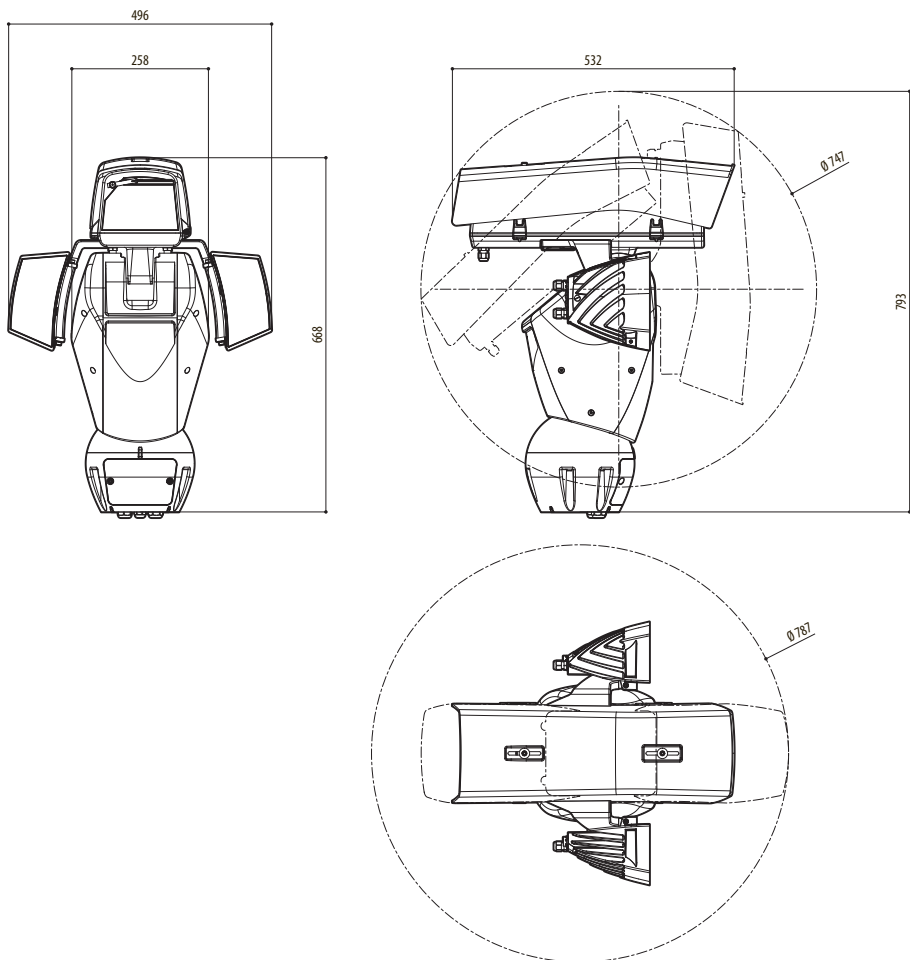


Рис. 110 ULISSE2, версия с двумя светодиодными осветителями.

ГЕРМАНИЕВОЕ  
СТЕКЛО

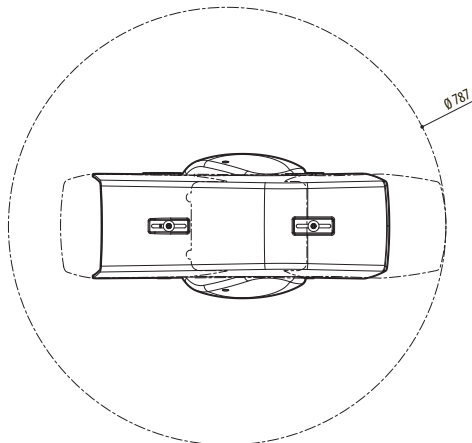
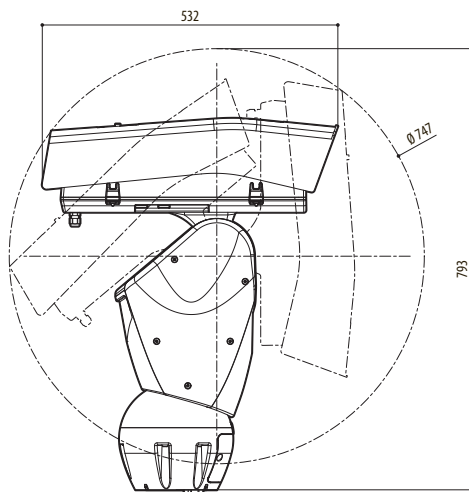
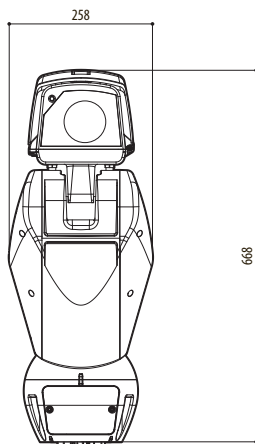
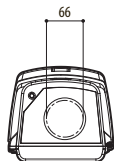


Рис. 111 ULISSE2, модель для тепловизоров.

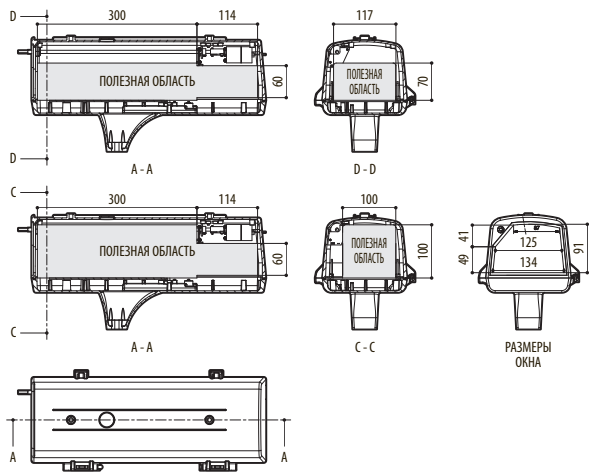


Рис. 112 ULISSE2, кожух.

**Headquarters Italy** Videotec S.p.A.

Via Friuli, 6 - I-36015 Schio (VI) - Италия  
Тел. +39 0445 697411 - Факс +39 0445 697414  
Email: info@videotec.com

**Asia Pacific** Videotec (HK) Ltd

Flat 8, 19/F. On Dak Industrial Building, No. 2-6 Wah Sing Street  
Kwai Chung, New Territories - Гонконг  
Тел. +852 2333 0601 - Факс +852 2311 0026  
Email: info.hk@videotec.com

**France** Videotec France SARL

Immeuble Le Montreal, 19bis Avenue du Québec, ZA de Courtaboeuf  
91140 Villebon sur Yvette - Франция  
Тел. +33 1 60491816 - Факс +33 1 69284736  
Email: info.fr@videotec.com

**Americas** Videotec Security, Inc.

Gateway Industrial Park, 35 Gateway Drive, Suite 100  
Plattsburgh, NY 12901 - США  
Тел. +1 518 825 0020 - Факс +1 518 825 0022  
Email: info.usa@videotec.com - www.videotec.com



[www.videotec.com](http://www.videotec.com)

**MNVCU2\_1638\_RU**





**Headquarters Italy** Videotec S.p.A.

Via Friuli, 6 - I-36015 Schio (VI) - Italy

Tel. +39 0445 697411 - Fax +39 0445 697414

Email: [info@videotec.com](mailto:info@videotec.com)

**Asia Pacific** Videotec (HK) Ltd

Flat 8, 19/F. On Dak Industrial Building, No. 2-6 Wah Sing Street

Kwai Chung, New Territories - Hong Kong

Tel. +852 2333 0601 - Fax +852 2311 0026

Email: [info.hk@videotec.com](mailto:info.hk@videotec.com)

**France** Videotec France SARL

Immeuble Le Montreal, 19bis Avenue du Québec, ZA de Courtaboeuf  
91140 Villebon sur Yvette - France

Tel. +33 1 60491816 - Fax +33 1 69284736

Email: [info.fr@videotec.com](mailto:info.fr@videotec.com)

**Americas** Videotec Security, Inc.

Gateway Industrial Park, 35 Gateway Drive, Suite 100  
Plattsburgh, NY 12901 - U.S.A.

Tel. +1 518 825 0020 - Fax +1 518 825 0022

Email: [info.usa@videotec.com](mailto:info.usa@videotec.com) - [www.videotec.us](http://www.videotec.us)



[www.videotec.com](http://www.videotec.com)

MNVCU2\_1638