

# TG2616AFCS-4

**2.6mm F1.6**  
**for 1/3 type Cameras, Fixed-focal Auto Iris VIDEO Drive**  
**CS-Mount**

with Focus and Amplifier

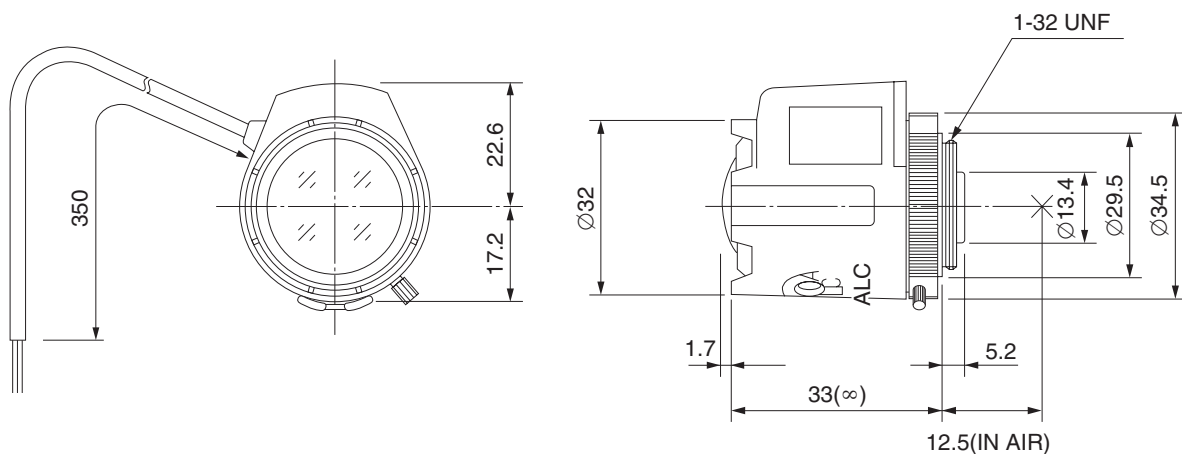
**1/3**  
type

**CS**

Model No.	TG2616AFCS-4		Effective	Front	Ø16.4mm	
Focal Length	2.6mm		Lens Aperture	Rear	Ø8mm	
Max. Aperture Ratio	1:1.6		Back Focal Length	7.5mm		
Max. Image Format	4.8mm x 3.6mm(Ø6mm)		Flange Back Length	12.5mm		
Operation Range	Iris	F1.6 - F360C	Mount	CS-Mount		
	Focus	0.3m - Inf.	Filter Size	—		
Control	Iris	Video Auto Iris	Dimensions	Ø32mm x 39.8mm x 34.7mm		
	Focus	Manual	Weight	43g		
Object Dimension at M.O.D.	71cm x 46.4cm					
Angle of View	D	1/3 type	123.0°	1/4 type	93.8°	
	H		99.6°		75.4°	
	V		75.4°		56.9°	
Supply Voltage	DC8V - DC16V					
Current	Less than 35mA					
Response Time	Approx. 2 sec.					
Light Weighting Method	Adjustable between Average - Peak (to be Set at Average at Factory)					
Input Signal	Video Signal (V. or V.S.)					
Iris Accuracy	±15% at Video Signal Level					
Sensitivity Adjustment	0.5V(p-p) - 1.0V(p-p) (Video Signal)					
Input Impedance	High Impedance					
Operating Temperature	-20°C - +50°C					

M.O.D : Minimum Object Distance

## Dimensions



## Wiring Diagram

