

## H21Z1016AMS-MP

21X 10mm-210mm F1.6  
for 1/2 type Cameras, Motorized Zoom  
C-Mount  
For 2MP sensor cameras.

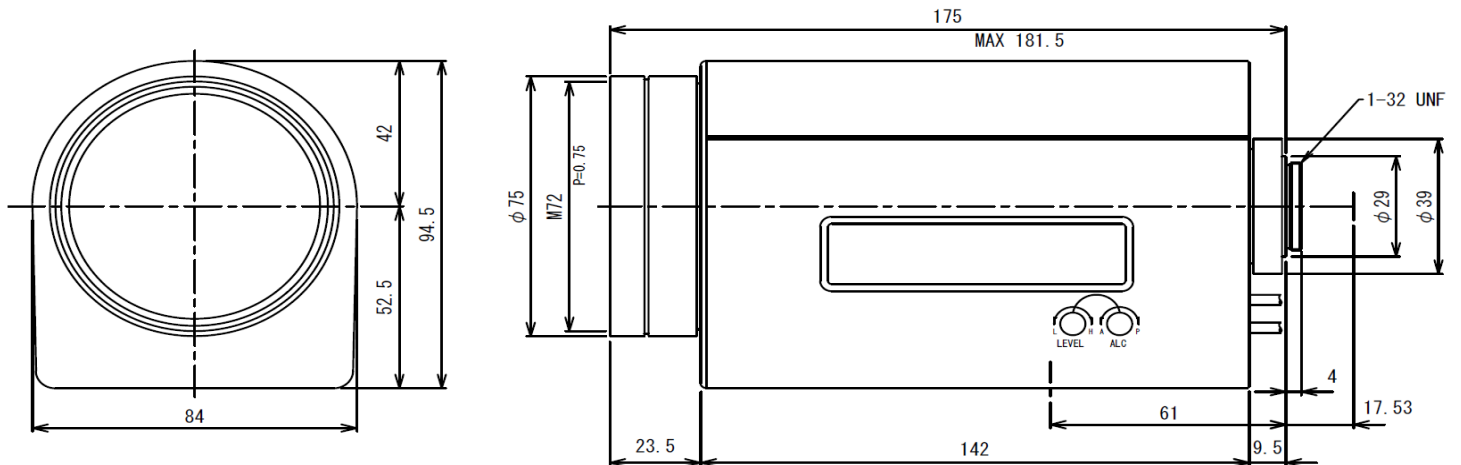
with Video Auto Iris

Model No.	H21Z1016AMS-MP		Effective	Front	φ 68mm
Focal Length	10mm - 210mm		Lens Aperture	Rear	φ 11.8mm
Max. Aperture Ratio	1:1.6		Back Focal Length		14.18mm
Max. Image Format	6.4mm x 4.8mm(φ 8mm)		Flange Back Length		17.526mm
Operation Range	Iris	F1.6 - F1000 (W/ND Filter)		Mount	C-Mount
	Focus	2m - Inf.		Filter Size	M72 P=0.75mm
	Zoom	10mm - 210mm		Tripod Screw	1/4 -20UNC
Control	Iris	Video Auto Iris		Dimensions	W84mm x H94.5mm x D175mm
	Focus	Motorized		Weight	1050g
	Zoom	Motorized			
Object Dimension at M.O.D.	10mm	152.0cm X 114.0cm			
	210mm	7.2cm X 5.4cm			
Angle of View	D	1/2 type	43.6° - 2.12°	1/3 type	33.3° - 1.61°
	H		35.4° - 1.72°		26.9° - 1.30°
	V		26.9° - 1.30°		20.2° - 0.98°
				1/4 type	25.2° - 1.22°
					20.2° - 0.98°
					15.2° - 0.73°
Supply Voltage	DC6-12V		Focus	Zoom	
Current	40mA or less		DC6-12V	DC6-12V	
Response Time	4-8 sec.		40mA or less	40mA or less	
Preset Potentiometer	-		8-16 sec.	7.5-15 sec.	
Light Weighting method	Adjustable between Average-Peak ( to be set at Average at Factory)				
Input Signal	Video Signal (V. or V.S.)				
Iris Accuracy	±15% at Video Signal Level				
Sensitivity Adjustment	0.4V(p-p) - 1.0V(p-p) (Video Signal)				
Input Impedance	High Impedance				
Operating Temperature	-10°C - +50°C				

1/2  
type

C

### Dimensions



### Wiring Diagram

#### Iris, Focus & Zoom

