

COMPATIBLE WITH:

Check our website or contact customer service for most updated information.



**PixelPro Network Camera
1080p PTZ Series**



GANZ
PixelPro

Features:

- 1080p HD resolution
- Progressive scan CMOS sensor
- 20x and 30x optical zoom options
- True/Digital WDR (Wide Dynamic Range)
- True Day/Night performance
- Zoom IR option models with long-shooting range (outdoor models)
- Dual streaming video
- External alarm I/O

*Exact products and specifications shown may vary by geographic and subject to change without notice.
Actual products may differ from the images appearing in the specification sheet.



CBC Co.,Ltd.
TOKYO Head Office Image and Information Technology Division
Ganz Global Brand Center

<http://www.ganz-global.com/>

UPDATE: May, 2016

GANZ® SPECIFICATIONS

CBC Co.,Ltd.
Ganz Global Brand Center

SPECIFICATION-1 (Camera, Lens and Network)

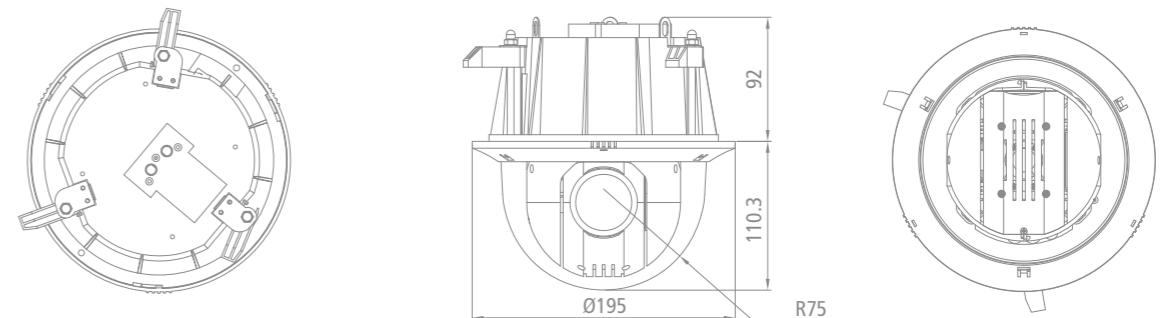
Model Number		ZN-P4N50 20X	ZN-P4D54 30X	ZN-P4NT50 20X	ZN-P4DT54 30X	
Camera	Image Sensor	1/2.8" Sony Exmor CMOS				
	Max. Resolution & Frame Rate	1920 x 1080 30fps				
	Effective Pixels	2 Megapixel				
	Effective Image Size (mm; H x V, Diag)	2 Megapixel, HD: 16 : 9 SD: 4 : 3				
	Day & Night	Removable IR Cut Filter				
	D>N threshold	-				
	N>D threshold	SW Selectable				
	IR LED Number / Distance	-				
	Adaptive IR	-				
	Min. illumination	Color :	0.4 lx (F1.6 / 50 IRE)	1.4 lx (F1.6 / 50 IRE)	0.4 lx (F1.6 / 50 IRE)	1.4 lx (F1.6 / 50 IRE)
		High sensitivity Mode :	0.1 lx (F1.6 50 IRE)	0.35 lx (F1.6 50 IRE)	0.1 lx (F1.6 50 IRE)	0.35 lx (F1.6 50 IRE)
		B/W :	0.03lx (F1.6 50 IRE)	0.05lx (F1.6 50 IRE)	0.03lx (F1.6 50 IRE)	0.05lx (F1.6 50 IRE)
		High sensitivity Mode :	0.008 lx (F1.6 50 IRE)	0.013 lx (F1.6 50 IRE)	0.008 lx (F1.6 50 IRE)	0.013 lx (F1.6 50 IRE)
		WDR	Digital WDR	True WDR	Digital WDR	True WDR
	White Balance	ATW/MANUAL(PRESET)				
	AGC	YES				
	S/N ratio	50 dB or more				
	BLC(Backlight compensation)	YES				
	HLC	YES				
	Defog	YES				
	e-Shutter Speed	1/25(30) ~ 1/10000				
	Slow Shutter	YES				
	3D DNR	-				
	Privacy Mask	8 areas				
	Stabilizer	-	YES	-	YES	
Pan/Tilt/Preset Speed	Preset : 720°/sec, Manual : 1 ~ 360°/sec (Zoom Proportional), Scan : 1 ~ 360°/sec					
Tilt angle without showing the edge of PTZ dome	7° ~ 173°		10° ~ 170°			
Preset	128 Presets with Labels / Independent Camera Setup					
Tour	4Tours (MAX. 24 Entries for Each Tour)					
Scan/Pattern	12 Scans (patterns)					
PathTours	4 PathTours					
PTZ Protocol	PelcoP, PelcoD					
Lens	Lens	x 20 Optical Zoom, f=4.7 ~ 94mm, F1.6 ~ F3.5	x 30 Optical Zoom, f=4.3 ~ 129mm, F1.6 ~ F4.7	x 20 Optical Zoom, f=4.7 ~ 94mm, F1.6 ~ F3.5	x 30 Optical Zoom, f=4.3 ~ 129mm, F1.6 ~ F4.7	
	Iris	Auto / Manual				
	Focus	Auto / Manual / One-Push				
	Zoom	20x	30x	20x	30x	
	F.O.V. (Field of View)	59.5°	63.7°	59.5°	63.7°	
Network	Network	10/100BASE-T				
	Image Compression	H.264/ MJPEG				
	Resolution	1920x1080 (Full HD) / 1280x1024(SXGA) / 1280x720 (HD) / 1024x768(XGA) / 704x480/576(4CIF) / 640x480(VGA) / 640x360(HVGAW) / 352x240/288(CIF) / 320x240				
	Digital Zoom	12x				
	Protocol	IPv4, ONVIF, TCP/IP, UDP/IP, RTP(UDP), RTSP, NTP, HTTP, DNS, DDNS, DHCP, FTP, SMTP, TCP/IP				
	Frame Rate	1fps ~ 25fps : 50Hz, 1fps ~ 30fps : 60Hz				
	Web Browser	Windows 7, Vista, XP, 2000				
	Security	Password Protection				
	SDK(API)	HTTP based API, ONVIF Profile S				
	VMD(Video Motion Detection)	User set 4 ROI (Region of Interest), 10 step sensitivity				
	Alarm Trigger	VMD External Alarm Input				
	Alarm Event	Email notification				
	Defective Pixel Correction	YES				
	Streaming	Dual Stream				
	Tamper Detection	-				
	Multi Language	YES				

SPECIFICATION-2 (Power, I/O, Video Signal, Audio and Other)

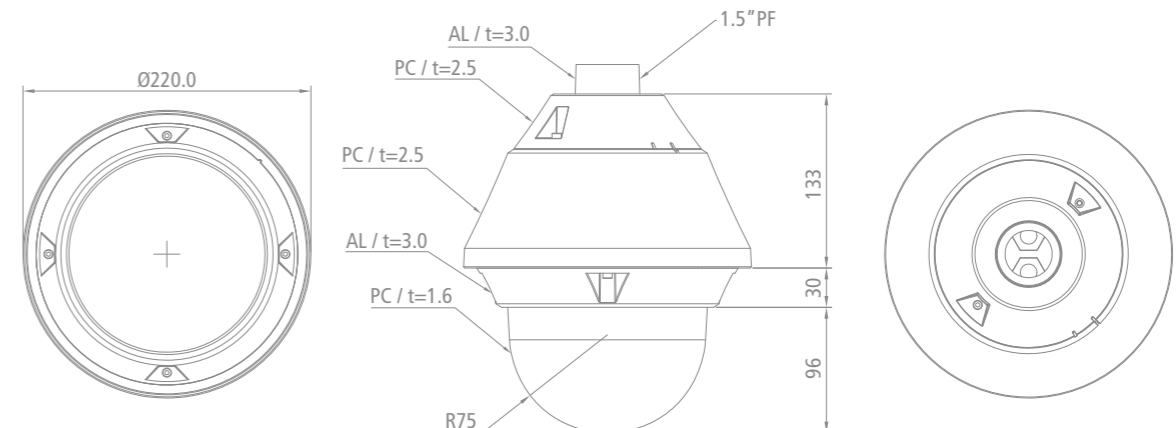
Model Number		ZN-P4N50	ZN-P4D54	ZN-P4NT50	ZN-P4DT54
Power	DC	-			
	AC	24VAC			
	PoE	IEEE 802. 3at (POE+)			
Power Consumption		24VAC : 13W		24VAC : 13W (Heater On : 30.5W)	
		PoE+ : 12W			
I/O	Micro SD Card, Max Memory Size	SD/SDHC/SDXC Micro SD type (card not included)			
	Analog Video Out (for installation Only)	CVBS Output, stereo jack			
	Alarm In	2			
	Alarm Out	2(relay)			
Analog (for installation only)	Video Signal	NTSC/PAL selectable Composite Output(BNC), 75 ohm 1Vpp PAL : (H) 15.625 kHz, (V) 50 Hz			
	Monitor Output	Composite Output (BNC) 75ohm 1Vpp			
	Scanning Frequency	PAL : (H) 15.625 kHz, (V) 50 Hz			
Audio	Audio In	1 x Line In			
	Audio Out	1 x Line Out			
	Audio CODEC	G.711 u-law 8KHz			
Others	Fan	YES			
	Ambient Temperature	-10°C ~ 50°C (14°F ~ 122°F)		AC 24V : -40°C ~ 50°C (-40°F ~ 122°F) PoE : -10°C ~ 50°C (14°F ~ 122°F)	
	Ambient Humidity	below 90% RH			
	Materials	polycarbonate		Aluminum Die-casting (clear-bubble: polycarbonate)	
	Net Weight	1.6kg		2.8kg	
	Dimensions	ø195x202.3(H)mm / ø7.68 x 7.96(H) inch		ø220x259(H)mm / ø8.66 x 10.2(H) inch	
	IK Rating	IK10			
	IP Rating	IP66			

DIMENSIONS (Unit:mm)


ZN-P4N50, ZN-P4D54



ZN-P4NT50, ZN-P4DT54



SPECIFICATION-1 (Camera, Lens and Network)

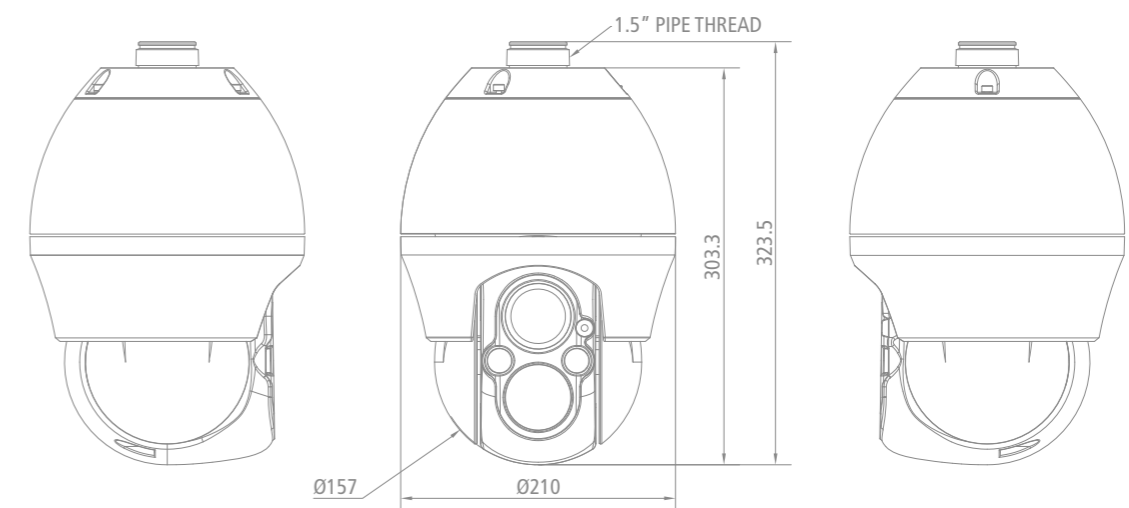
Model Number	ZN-P4NT50L 20X	ZN-P4DR54L 30X
		
Camera	Image Sensor: 1/2.8" Sony Exmor CMOS Max. Resolution & Frame Rate: 1920 x 1080 30fps Effective Pixels: 2 Megapixel Effective Image Size (mm; H x V, Diag): 2 Megapixel, HD: 16 : 9 SD: 4 : 3 Day & Night: Removable IR Cut Filter D>N threshold: SW Selectable N>D threshold: SW Selectable IR LED Number / Distance: Zoom IR 1ea, Wide IR 2ea (Switchable) Adaptive IR: Yes Min. illumination: Color : 0.4 lx (F1.6 / 50 IRE) High sensitivity Mode : 0.1 lx (F1.6 50 IRE) B/W : 0.03lx (F1.6 50 IRE) High sensitivity Mode : 0.008 lx (F1.6 50 IRE) IR On : 0lx Color : 1.4 lx (F1.6 / 50 IRE) High sensitivity Mode : 0.35 lx (F1.6 50 IRE) B/W : 0.05lx (F1.6 50 IRE) High sensitivity Mode : 0.013 lx (F1.6 50 IRE) IR On : 0lx WDR: Digital WDR / True WDR White Balance: ATW/MANUAL(PRESET) AGC: YES S/N ratio: 50 dB or more BLC(Backlight compensation): YES HLC: YES Defog: YES e-Shutter Speed: 1/25(30) ~ 1/10000 Slow Shutter: YES 3D DNR: - Privacy Mask: 8 areas Stabilizer: YES Pan/Tilt/Preset Speed: Preset : 230°/sec Manual : 1~ 230°/sec (Zoom Proportional) Scan : 1~ 230°/sec Tilt angle without showing the edge of PTZ dome: - Preset: 128 Presets with Labels / Independent Camera Setup Tour: 4Tours (MAX. 24 Entries for Each Tour) Scan/Pattern: 12 Scans (patterns) PathTours: 4 PathTours PTZ Protocol: PelcoP, PelcoD	
Lens	Lens: x 20 Optical Zoom, f=4.7 ~ 94mm, F1.6 ~ F3.5 / x 30 Optical Zoom, f=4.3 ~ 129mm, F1.6 ~ F4.7 Iris: Auto / Manual Focus: Auto / Manual / One-Push Zoom: 20x / 30x F.O.V. (Field of View): 59.5° / 63.7°	
Network	Network: 10/100BASE-T Image Compression: H.264/ MJPEG Resolution: 1920x1080 (Full HD) / 1280x1024(SXGA) / 1280x720 (HD)/ 1024x768(XGA) / 704x480/576(4CIF) / 640x480(VGA) / 640x360(HVGAW) / 352x240/288(CIF) / 320x240 Digital Zoom: 12x Protocol: IPv4, ONVIF, TCP/IP, UDP/IP, RTP(UDP), RTSP, NTP, HTTP, DNS, DDNS, DHCP, FTP, SMTP, TCP/IP Frame Rate: 1fps ~ 25fps : 50Hz, 1fps ~ 30fps : 60Hz Web Browser: Windows 7, Vista, XP, 2000 Security: Password Protection SDK(API): HTTP based API, ONVIF Profile S VMD(Video Motion Detection): User set 4 ROI (Region of Interest), 10 step sensitivity Alarm Trigger: VMD External Alarm Input Alarm Event: Email notification Defective Pixel Correction: YES Streaming: Dual Stream Tamper Detection: - Multi Language: YES	

SPECIFICATION-2 (Power, I/O, Video Signal, Audio and Other)

Model Number	ZN-P4NT50L	ZN-P4DR54L
Power	DC	-
	AC	24VAC
	PoE	-
	Power Consumption	21W (Heater On : 45W)
I/O	Micro SD Card, Max Memory Size	SD/SDHC/SDXC Micro SD type (card not included)
	Analog Video Out (for installation Only)	CVBS Output, stereo jack
	Alarm In	2
	Alarm Out	2(relay)
Analog (for installation only)	Video Signal	NTSC/PAL selectable Composite Output(BNC), 75 ohm 1Vpp PAL: (H) 15.625 kHz, (V) 50 Hz
	Monitor Output	Composite Output (BNC) 75ohm 1Vpp
	Scanning Frequency	PAL : (H) 15.625 kHz, (V) 50 Hz
Audio	Audio In	1 x Line In
	Audio Out	1 x Line Out
	Audio CODEC	G.711 u-law 8KHz
Others	Fan	YES
	Ambient Temperature	AC 24V : -40°C ~ 50°C (-40°F ~ 122°F)
	Ambient Humidity	below 90% RH
	Materials	Aluminum Die-casting (clear-bubble: polycarbonate)
	Net Weight	6.0kg
	Dimensions	Ø210x346.5(H)mm / Ø8.27 x 13.64(H) inch
	IK Rating	IK10
	IP Rating	IP66

DIMENSIONS (Unit:mm)




ZN-P4NT50L, ZN-P4DR54L





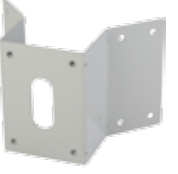
Accessory

Bracket

Model	ZNA-MA3	ZNA-SM3	ZNA-WMB3
Type	Mount Adaptor	Sunshield Mount	Wall Mount

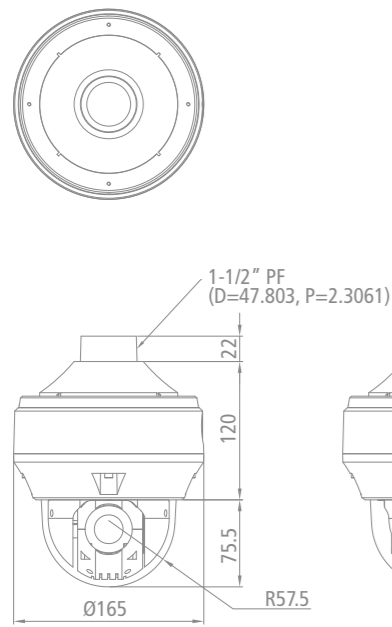




Model	ZNA-CMB3	ZNA-PM3	ZNA-CM3
Type	Ceiling Mount	Pole Mount	Corner Mount

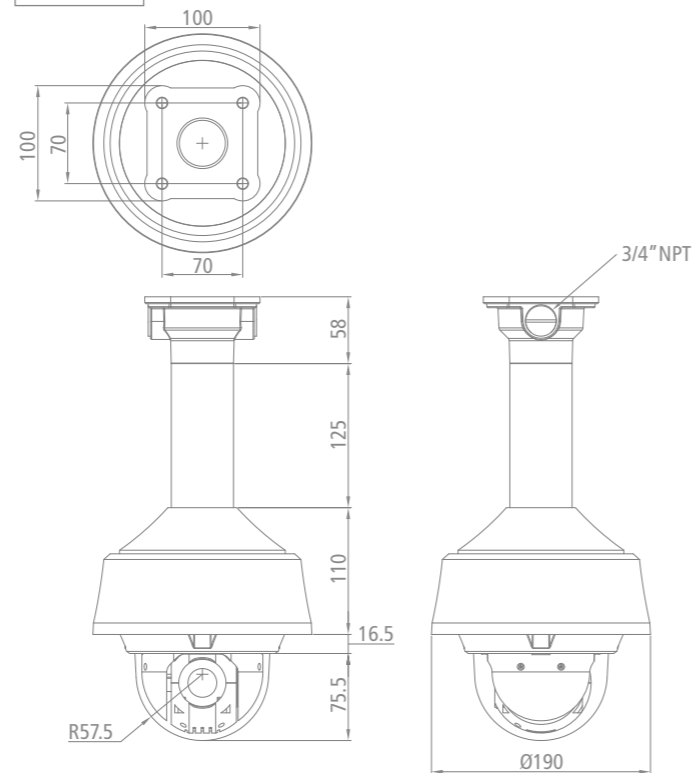




DIMENSIONS (Unit:mm)

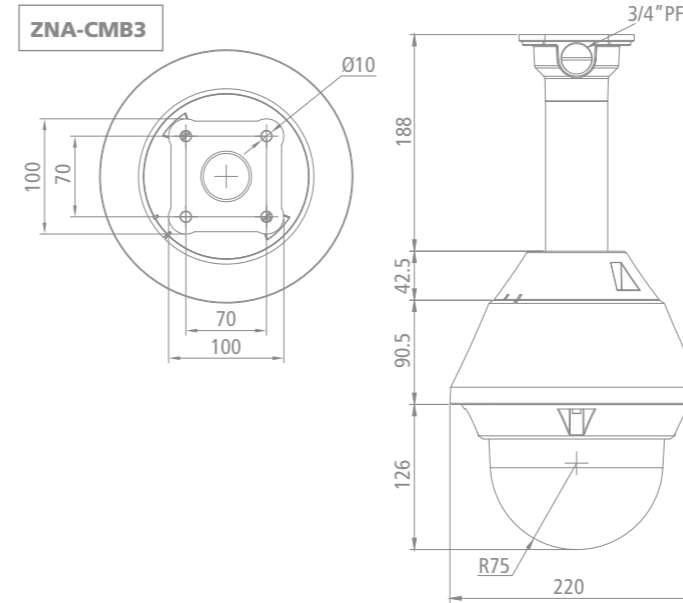
ZNA-MA3



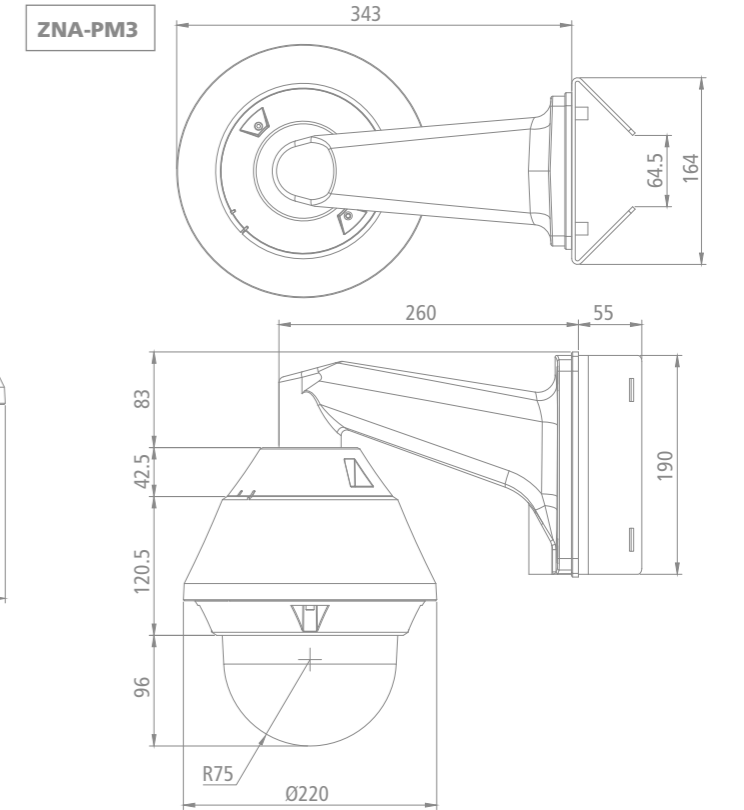
ZNA-SM3



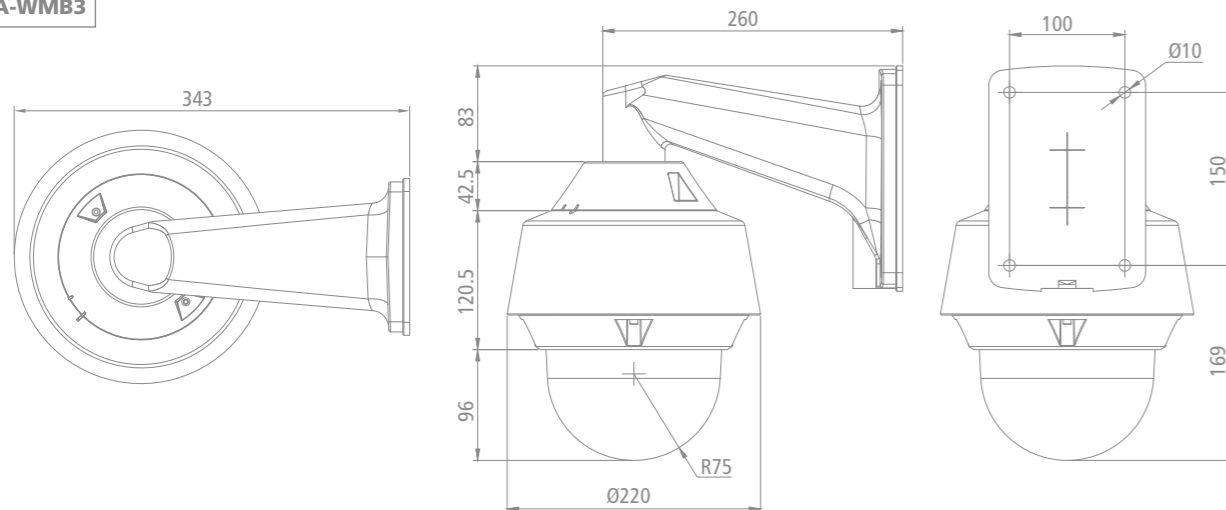
ZNA-CMB3



ZNA-PM3



ZNA-WMB3



ZNA-CM3

