

# ULISSE COMPACT HD

## OUTDOOR FULL HD PTZ CAMERA FOR DETAILED IMAGES AND HIGH-PERFORMANCE



### MAIN FEATURES

Variable speed: 0.1°-200°/s Pan/Tilt

Horizontal continuous rotation, vertical -90°/+90°

Camera Full HD 1080p, 30x, 60 frames per second (fps)

Minimum Illumination:

- Colour: 1.4lx, F1.6 AGC on, 1/30s 50 IRE (Normal mode)
- Colour: 0.35lx, F1.6 AGC on, 1/30s, 50 IRE (High Sensitivity mode)

Video compression H.264/AVC and MJPEG

Certified ONVIF, Profile S

Day/Night (Auto ICR: automatic removal of IR filter)

De-fog feature

Up to 4 simultaneous video streams

1 alarm input and 1 relay output

Position accuracy: 0.05°

Up to 250 Presets

Integrated wiper

Total control through Videotec's PTZ assistant

Operating temperature: -40°C / +60°C (-40°F / +140°F)

### OPTIONS:

LED illuminator

### DESCRIPTION

The ULISSE COMPACT HD is an IP66 Full HD network PTZ camera that delivers excellent high-definition picture quality.

The Full HD camera integrates a 30x optical zoom lens and is able to accurately identify specific details of a scene.

The flexible operator control of Pan/Tilt/Zoom functions allows the images transmission over Ethernet with H.264/AVC and MJPEG compression, certified ONVIF, Profile S.

This HD PTZ camera can deliver from 2 to 4 H.264/AVC or MJPEG streams simultaneously, up to a total of 20Mbps depending on the unit configuration.

The ULISSE COMPACT HD response to operator commands is immediate.

The Videotec's PTZ ASSISTANT plug-in software supports any VMS with the control of all special functions such as wiper, washer pump, IR and Auto Focus.

Furthermore, the de-fog feature allows clearer and natural viewing in foggy or misty scenes; when activated, the camera detects the haze level and automatically applies the required effects.

ULISSE COMPACT HD can withstand to harsh external environments, ensuring high speed and accurate target detection at any time, with zero maintenance.

Thanks to its characteristics of reliability, robustness and accuracy, this PTZ camera unit is the ideal solution for demanding security applications, including: traffic and highways control, borders, stadiums and industries surveillance, prisons, military installation and perimeter surveillance.



ULISSE COMPACT HD + LED ILLUMINATOR



ULISSE COMPACT HD



ULISSE COMPACT HD + UCCMA

**TECHNICAL DATA****GENERAL**

Constructed from aluminium and tecnopolymer  
 Epoxypolyester powder painting, RAL9002 colour  
 Easy installation thanks to the self-centring connector  
 Zero backlash  
 Quick configuration and setup  
 Dynamic positioning control system  
 Functions: Autopan, Preset, Patrol, Tour (maximum 1), Autoflip  
 Maximum number of presets: 250

**MECHANICAL**

Cable glands: 2xM16, 2xM12  
 Horizontal rotation: continuous  
 Vertical rotation: from -90° a +90°  
 Horizontal speed (variable): from 0.1°/s a 200°/s  
 Tilt speed (variable): from 0.1°/s a 200°/s  
 Accuracy of preset positions: 0.05°  
 Unit weight: 12.5kg (28lb) (13kg / 28.7lb with LED illuminator)

**CAMERA**

Day/Night Full HD 30x  
 Image Device: 1/2.8 type Exmor™ CMOS sensor  
 Effective Pixels: approx. 2.38 Megapixels  
 Minimum Illumination, color (ICR-OFF):  
 • 1.4lx 1/30s 50 IRE (Normal mode)  
 • 0.35lx, 1/30s, 50 IRE (High sensitivity mode)  
 • 0.19lx, 1/3s, 50 IRE (Normal mode)  
 • 0.05lx, 1/3s, 50 IRE (High sensitivity mode)  
 Minimum Illumination, B/W (ICR-ON):  
 • 0.05lx, 1/30s, 50 IRE (Normal mode)  
 • 0.013lx, 1/30s, 50 IRE (High sensitivity mode)  
 • 0.002lx, 1/3s, 30 IRE (High sensitivity mode)  
 Lens: f=4.3 mm (wide) ~ 129.0 mm (tele), from F1.6 to F4.7  
 Zoom: 30x (360x with digital zoom)  
 Horizontal Viewing Angle: 63.7° (wide end), 2.3° (tele end)  
 Minimum object distance: 10mm (wide) ~ 1200mm (tele)  
 Electronic Shutter: 1/1 to 1/10000 s, 22 steps  
 White balance: Auto, ATW, Indoor, Outdoor, Outdoor Auto, Sodium vapor lamp (Fix, Auto, Outdoor Auto), One-push, Manual  
 Gain: Auto, Manual, Gain Limit (from 3dB up to 43dB, steps: 3dB)  
 Wide Dynamic Range: On/Off/Visibility enhancer, Light level, Brightness compensation selection, Compensation level  
 Focus System: Auto (Sensitivity: Normal, Low), One-push AF, Manual, Focus compensation with ICR On, Interval AF, Zoom trigger AF  
 Picture Effects: E-flip, Black & White, Mirror image, Color enhancement, Negative art  
 Exposure Control: Auto, EV Compensation, Manual, Priority (Shutter priority, Iris priority), Brightness, Slow AE  
 S/N Ratio: more than 50dB  
 Wide-D (wide dynamic range): 130dB  
 De-fog: On/Off

**VIDEO**

Compression: H.264/AVC, MJPEG  
 2 independent video streams Full HD or 4 independent video streams depending on the configuration  
 Image resolution: from FullHD to 352x240 in 18 steps  
 Selectable frame rate from 1 to 60 images per second (fps)  
 Web Server  
 Certified ONVIF, Profile S

**ELECTRICAL**

Power supply/Current consumption:  
 • 230Vac, 0.4A, 50/60Hz  
 • 120Vac, 0.8A, 50/60Hz  
 • 24Vac, 4A, 50/60Hz  
 Power consumption:  
 • 40W, P&T static, heating switched off  
 • 60W, P&T in motion, heating switched off  
 • 125W, peak at start-up, heating switched on  
 Power consumption with illuminator on:  
 • 55W, P&T static, heating switched off  
 • 75W, P&T in motion, heating switched off  
 • 140W, peak at start-up, heating switched on  
 Cables input section: from 16 AWG up to 19 AWG  
 Cables signal section: from 16 AWG up to 30 AWG  
 I/O alarm card  
 • Alarm inputs: 1  
 • Relay outputs: 1 (1A, 30Vac/60Vdc max)

**LED illuminator**

Horizontal beam: 10° or 30°  
 Wavelength: 850nm, 940nm, white light  
 Auto power on through integrated sensor or by VMS  
 The camera and the light beam are factory aligned  
 The pre-installed illuminator does not slow down the P&T's rotation speed

**NETWORK**

Connection Ethernet port LAN 10/100T

**NETWORK PROTOCOLS**

- Protocol: ONVIF, Profile S
- Device configuration: TCP/IPv4, TCP/IPv6, UDP/IPv4, UDP/IPv6, IGMP (Multicast), HTTP, NTP, DHCP, WS-DISCOVERY, QoS
- Streaming: RTSP, RTCP, RTP/IPv4

**ENVIRONMENT**

Indoor/Outdoor  
 Operating temperature (with heater): from -40°C (-40°F) up to +60°C (140°F)  
 Wind resistance  
 • Operational: up to 160km/h  
 • Stationary: up to 210km/h  
 Surge immunity: up to 2kV line to line, up to 4kV line to earth (Class 4)

**CERTIFICATIONS**

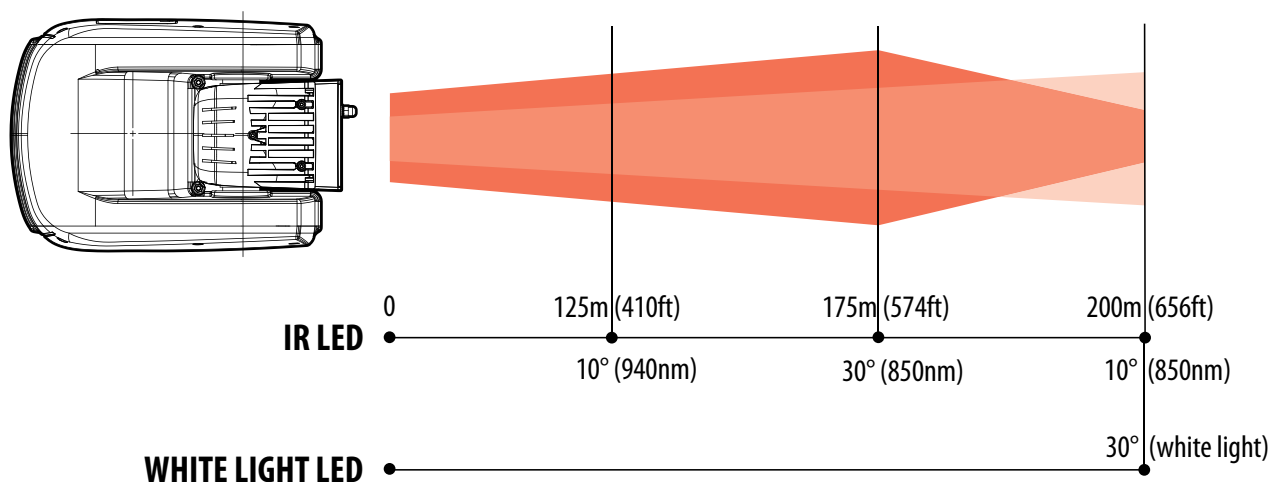
Electrical safety (CE): EN60950-1, IEC60950-1  
 Electromagnetic compatibility (CE): EN61000-6-4, EN50130-4, EN55022 (Class A), FCC Part 15 (Class A)  
 Outdoor installation (CE): EN60950-22, IEC60950-22  
 Photobiological safety (CE): EN62471  
 IP protection degree: EN60529 (IP66)  
 UL certification: cULus Listed (TYPE 4X)  
 EAC certification

ACCESSORIES	
UPTJBUL	Junction weatherproof box for cables connexion (according UL norm)
WASPT0V5L5M00	Water tank 5l (1 gal), pump with delivery up to 5m (16ft), IN 230Vac-24Vac-120Vac
WASPT0V23L5M00	Water tank 23l (6 gal), pump with delivery up to 5m (16ft), IN 230Vac-24Vac-120Vac
WASPT0V23L11M00	Water tank 23l (6 gal), pump with delivery up to 11m (36ft), IN 230Vac-24Vac-120Vac
WASPT1V23L30M00	Water tank 23l (6 gal), pump with delivery up to 30m (98ft) with water floating, IN 230Vac
WASPT3V23L30M00	Water tank 23l (6 gal), pump with delivery up to 30m (98ft) with water floating, IN 120Vac

BRACKETS AND ADAPTORS	
UPTWBA	Wall bracket with internal cable channel
UPTWBTAB	Parapet bracket with internal cable channel
UCCMA	Ceiling bracket for upside down mounting and working of ULISSE COMPACT

PACKAGE			
Model Number	Weight	Dimensions (WxHxL)	Master carton
UCHF1HWAZ00A	16.5kg (36lb)	66x33x57cm (26x13x22in)	-

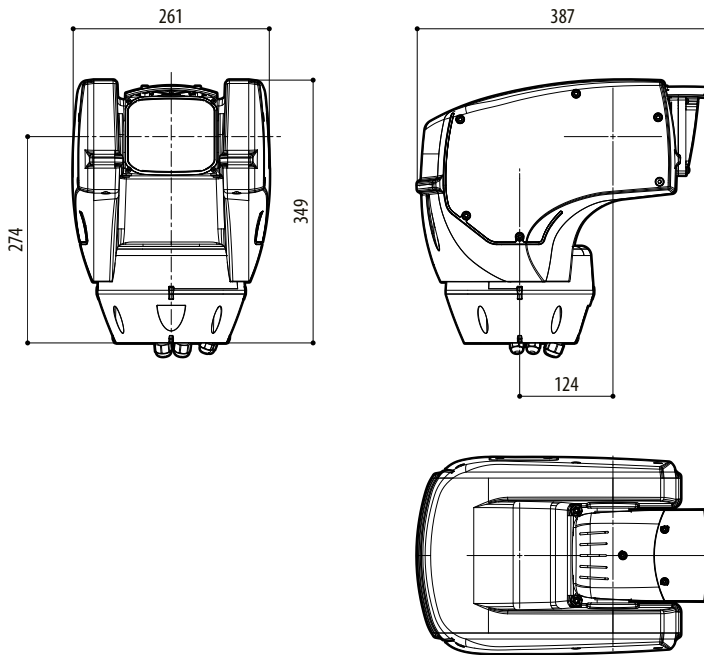
ULISSE COMPACT HD- CONFIGURATION OPTIONS										
	Voltage			Options		Video Output				
<b>UCHD</b>	<b>1</b>	230Vac	<b>F</b>	Day/Night camera 30X zoom, FullHD	<b>W</b>	With wiper, 1 input, 1 output	<b>A</b>	<b>Z</b>	Compression H.264/AVC, ONVIF protocol, Profile S	<b>00A</b>
					<b>N</b>	With wiper, 1 input, 1 output, IR LED illuminator 10°, 940nm				
					<b>U</b>	With wiper, 1 input, 1 output, IR LED illuminator 30°, 850nm				
					<b>T</b>	With wiper, 1 input, 1 output, IR LED illuminator 10°, 850nm				
					<b>Z</b>	With wiper, 1 input, 1 output, LED illuminator 30°, white light				
	<b>2</b>	24Vac								
	<b>3</b>	120Vac								



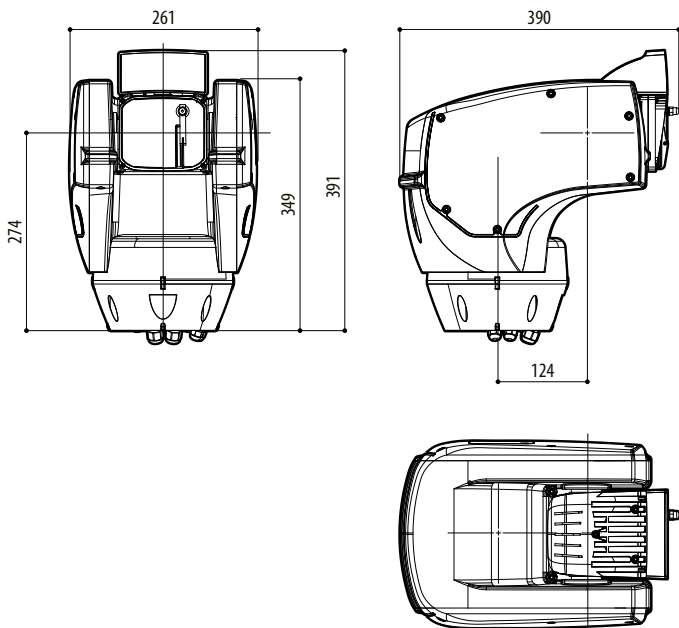
The distances and the performance depend on the environmental light conditions.

**TECHNICAL DRAWINGS**

Sizes in millimeters.



ULISSE COMPACT HD



ULISSE COMPACT HD WITH LED ILLUMINATOR