

T6Z5710AIDC-CS

6X 5.7mm - 34.2mm F1.0
for 1/3 type Cameras, Manual Zoom DC Drive
CS-Mount

w/o Amplifier

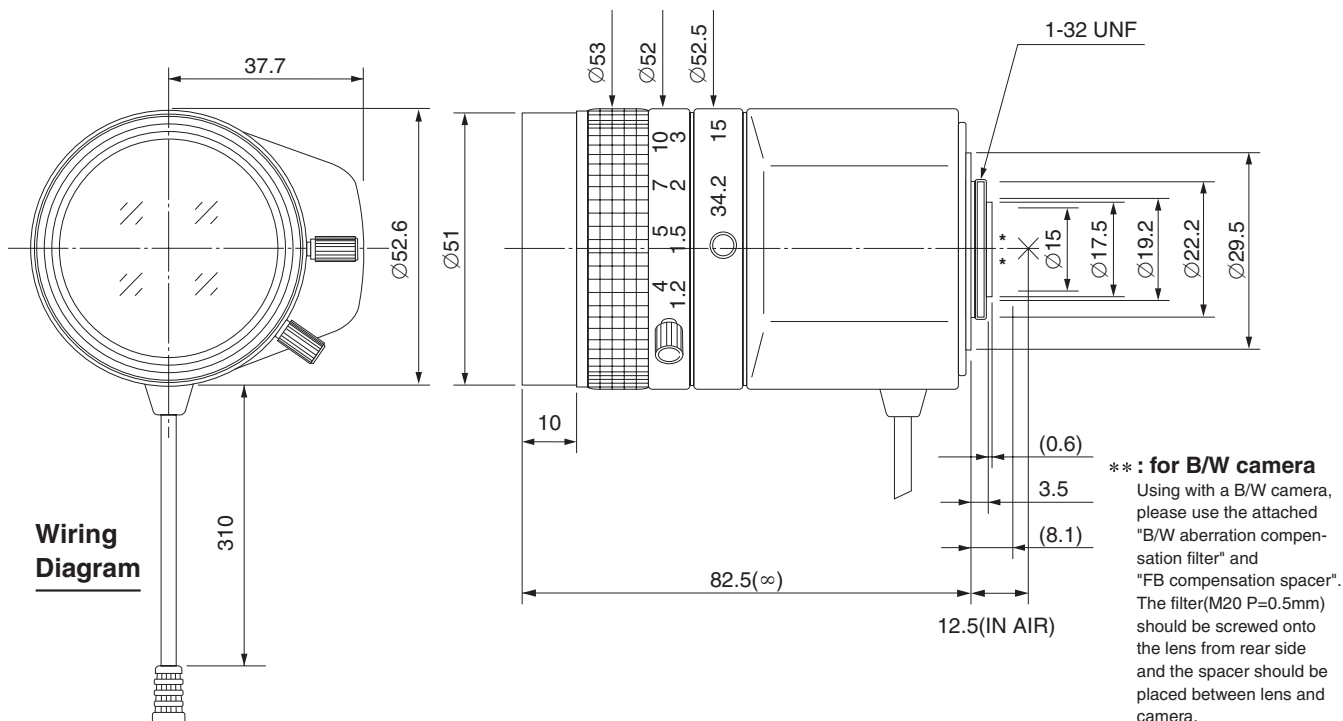
1/3
type

Model No.	T6Z5710AIDC-CS		Effective	Front	Ø41.0mm	
Focal Length	5.7mm - 34.2mm		Lens Aperture	Rear	Ø10.2mm	
Max. Image Format	1:1.0		Back Focal Length	8.5mm		
Max. Image Format	4.8mm x 3.6mm(Ø6mm)		Flange Back Length	12.5mm		
Operation Range	Iris	F1.0 - F360C		Mount	CS-Mount	
	Focus	1.2m - Inf.		Filter Size	M49 P=0.75mm	
	Zoom	5.7mm - 34.2mm		Tripod Screw	—	
Control	Iris	DC Auto Iris		Dimensions	W53mm x H64mm x D82.5mm	
	Focus	Manual		Weight	295g	
	Zoom	Manual				
Object Dimension at M.O.D.	5.7mm	101.6cm x 75.2cm				
	34.2mm	17cm x 13cm				
Angle of View	D	1/3 type	56.5° - 10.0°	1/4 type	43.2° - 7.8°	
	H		45.9° - 8.1°		34.8° - 6.2°	
	V		34.8° - 6.2°		26.2° - 4.8°	
Coil	Drive	190Ω				
	Control	1000Ω				
Operating Temperature	-20°C - +50°C					

M.O.D. : Minimum Object Distance

CS

Dimensions



Pin No.

1	BROWN	Control (-)
2	RED	Control (+)
3	YELLOW	Drive (+)
4	ORANGE	Drive (-)