

Stainless Steel Spectra® IV SE Series

BACK BOX AND LOWER DOME

Product Features

- All Stainless Steel Construction
- Built-in Back Box Memory
- Integrated Passive UTP Circuit
- 7 Alarm Inputs; 2 Programmable Auxiliary Outputs
- Built-in Surge and Limited Lightning Protection
- Compatible with 29X and 36X Spectra® IV SE Dome Drives
- Bubble Constructed of Optically Clear Acrylic
- Environmental Pendant Model Only
- Indoor/Outdoor Applications
- Meets NEMA Type 4X and IP66 Standards
- Ability to Add IP Network Capability by Purchasing Optional TXB-N Module



**ENVIRONMENTAL PENDANT
BB4-PSG-E AND LD53PSB-1
(SHOWN WITH IDM4012SS WALL MOUNT)**

Pelco's **Stainless Steel Spectra® IV SE Series** is designed for harsh environmental installations and meets NEMA Type 4X and IP66 standards.

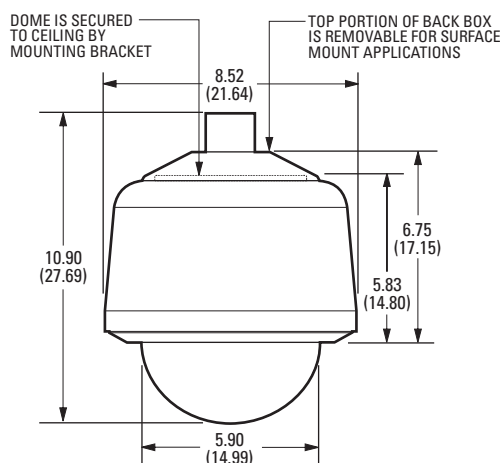
The components (back box and lower dome) provide added protection against corrosive conditions. The pendant-style back box (**BB4-PSG-E**) is constructed of Type 316 Stainless Steel (SS) and includes a sun shield (also constructed of Type 316 SS), heater, and fan. The lower dome features a trim ring constructed of Type 316 SS and an optically clear bubble that is available in smoked (**LD53PSB-0**) or clear (**LD53PSB-1**) acrylic.

The **Stainless Steel Spectra IV SE Series** has all the features of the Spectra IV SE dome system (built-in back box memory, two auxiliary outputs, seven alarm inputs) and is also compatible with all Spectra IV SE dome drives.

Camera and lens options for the **Stainless Steel Spectra IV SE Series** include:

- Day/night camera, 128X wide dynamic range, motion detection, electronic image stabilization, image enhancement, LowLight™ technology, and 36X optical zoom with 12X digital zoom
- Day/night camera, 128X wide dynamic range, motion detection, LowLight technology, and 29X optical zoom with 12X digital zoom

For an alternative mounting option use the **IDM4012SS** wall mount. The **IDM4012SS** mount is designed specifically for the **Stainless Steel Spectra IV SE Series** and features all stainless steel construction and conduit access in the bottom and back of the mount.



NOTE: VALUES IN PARENTHESES ARE CENTIMETERS; ALL OTHERS ARE INCHES.



by Schneider Electric

International Standards
Organization Registered Firm;
ISO 9001 Quality System



C3415 / REVISED 12-21-12

TECHNICAL SPECIFICATIONS

SYSTEM MODEL NUMBERS

Back Box Type	Lower Dome	29X Day/Night*	36X Day/Night*
Environmental Pendant	Smoked	SD429-PSGE0	SD436-PSGE0
	Clear	SD429-PSGE1	SD436-PSGE1

COMPONENT MODEL NUMBERS

Back Box		Lower Dome		Dome Drive*	
BB4-PSG-E Environmental Pendant mount, gray 316 SS		LD53PSB-0	Smoked, pendant, black trim ring 316 SS	DD429	Day/night (NTSC) camera (29X)
		LD53PSB-1	Clear, pendant, black trim ring 316 SS	DD436	Day/night (NTSC) camera (36X)
				DD5-FM†	Removable, fixed mount bracket only (camera and lens not included); interchangeable with all Spectra IV dome drives

*For PAL and CCIR models add "-X" suffix to part number (for example: SD429-PSGE0-**X** or DD429-**X**)

† DD5-FM accepts camera and lens combinations including a BNC connector up to 12.70 x 6.99 x 6.99 cm (5.00" D x 2.75" W x 2.75" H).

ELECTRICAL

Input Voltage	18 to 32 VAC; 24 VAC nominal
Input Power	
24 VAC	73 VA nominal
24 VDC	3 A nominal
Fuse	1.6 A
Auxiliary Outputs	2
Alarm Inputs	7

GENERAL

Construction		
Back Box	316 stainless steel; gray, polyurethane powder coated finish	
Lower Dome		
Trim Ring	316 stainless steel; black, polyurethane powder coated finish	
Bubble	Acrylic, clear or smoked	
Cable Entry	Through 1.5-inch NPT back box pendant mount	
Weight (approximate)	Unit	Shipping
Back Box	4.75 lb (2.15 kg)	7 lb (3.18 kg)
Lower Dome	1.83 lb (0.83 kg)	4 lb (1.81 kg)
Dome Drive	3.3 lb (1.48 kg)	4.9 lb (2.22 kg)
Environment	Indoor/outdoor	
Operating Temperature	(Assumes no wind chill factor; for detailed test conditions, contact Pelco)	
Maximum	140°F (60°C) absolute maximum; 122°F (50°C) sustained maximum	
Minimum	-60°F (-51.11°C) absolute minimum; minimal icing at sustained minimum of -50°F (-45.56°C); prevents icing at sustained minimum of -40°F (-40°C); de-ices 0.1 inch (2.5 mm) within 3 hours after power-up	

CERTIFICATIONS

- CE, Class B
- FCC, Class B
- UL/cUL Listed
- C-Tick
- S Mark for Argentina
- Meets NEMA Type 4X, IP66 standards when installed properly

OPTIONAL ACCESSORIES

IPS-CABLE	Remote monitor cable and software. See www.pelco.com for a list of compatible devices.
IPS-RDPE-2	Remote data port. 24 VAC, wall/pole mount video/data breakout box. Allows ground-level control/programming and software upgrades when used with the IPS-CABLE.
TXB Series †	Translator boards for AD Manchester, Hervis, Bosch® (Philips, Burle), TASS, and NTCIP protocols.
TXB-N Series†	Network-based communication module that allows you to control and monitor Spectra IV dome systems over an IP network (in-ceiling and pendant models only). When TXB-N is installed in the camera's back box, the camera system supports Web and Endura connectivity to Pelco products and open architecture connectivity to third-party software. TXB-N provides simultaneous access to the camera from both an analog and IP-based control point.
FS85011A†	Fiber transmitter sends one unidirectional composite video channel and one bidirectional data channel over one multi-mode or single-mode fiber optic cable.

†If TXB/TXB-N Series or FS85011A boards are installed, it is not possible to upgrade system operating software through the remote data port (IPS-RDPE-2).

RECOMMENDED POWER SUPPLIES

WCS Series	Single/multiple 24 VAC camera power supply, outdoor
------------	---

RECOMMENDED MOUNT

IDM4012SS	Stainless steel wall mount with feed-through capabilities
-----------	---

Pelco by Schneider Electric

3500 Pelco Way, Clovis, California 93612-5699 United States

USA & Canada Tel (800) 289-9100 Fax (800) 289-9150

International Tel +1 (559) 292-1981 Fax +1 (559) 348-1120

www.pelco.com www.pelco.com/community

Pelco, the Pelco logo, and other trademarks associated with Pelco products referred to in this publication are trademarks of Pelco, Inc. or its affiliates. ONVIF and the ONVIF logo are trademarks of ONVIF Inc. All other product names and services are the property of their respective companies.

Product specifications and availability are subject to change without notice.

©Copyright 2012, Pelco, Inc. All rights reserved.