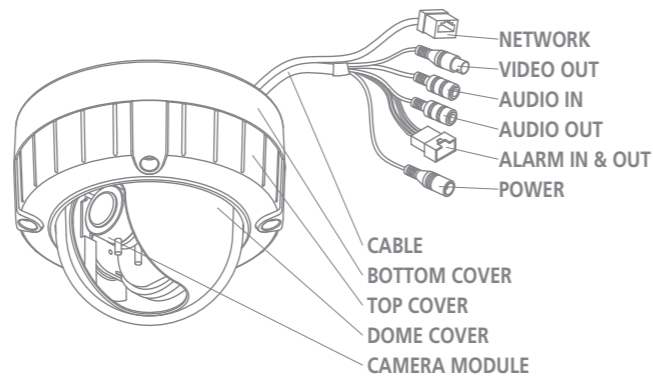


COMPATIBLE WITH:

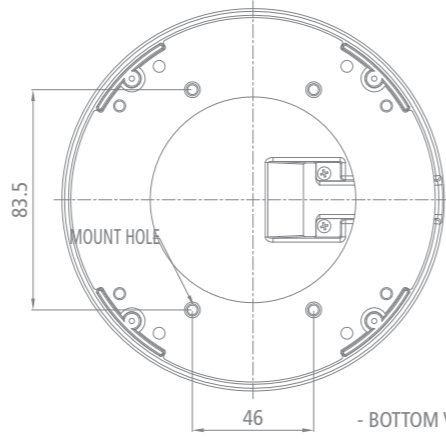
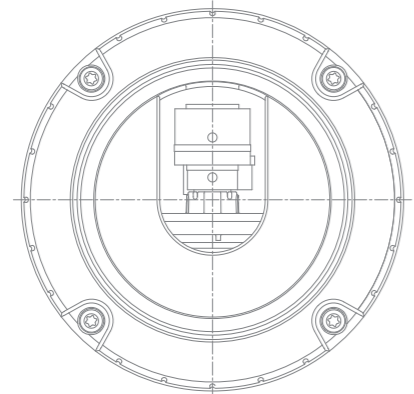
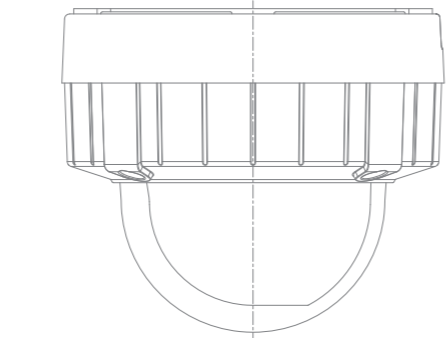
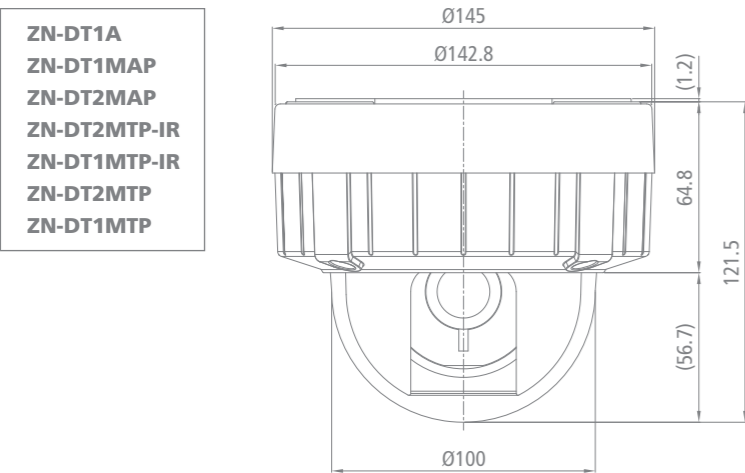
Check our website or contact customer service for most updated information.



STRUCTURE



DIMENSIONS



- TOP VIEW -

- BOTTOM VIEW -

(Unit : mm)

*Exact products and specifications shown may vary by geographic and subject to change without notice. Actual products may differ from the images appearing in the specification sheet.



CBC Co.,Ltd.

TOKYO Head Office Image and Information Technology Division
Ganz Global Brand Center

<http://www.ganz-global.com/>

UPDATE: Nov. 2014



GANZ IP SPECIFICATIONS

PixelPro Network Camera
Outdoor Dome Series






Features:

- 1080p HD Resolution
- Progressive Scan CMOS
- 3-9mm or 3.3-12mm varifocal lens
- Improved picture quality
- ProSet System lets you zoom and focus directly from your PC (1080p & 720p models)
- Improved low-light performance
- True Day/Night performance
- 18 IR LEDs (IR Models)
- DPC (Defective Pixel Correction) on select models
- Triple power (12VDC / 24VAC / PoE)
- External alarm I/O
- IP66 rated for outdoor use

CBC Co.,Ltd.
Ganz Global Brand Center

SPECIFICATION

Model Name		ZN-DT2MTP-IR	ZN-DT1MTP-IR	ZN-DT2MTP	ZN-DT1MTP
					
Camera	Image Sensor	1/2.8" Sony Exmor CMOS Sensor			
	Model	1080p	720p	1080p	720p
	Effective Pixels	1984(H) x 1225(V)			
	White Balance	ATW / MANUAL (Preset)			
	Digital Zoom	2 ~ 10x (Client software)			
	Shutter Speed	1/4, 1/10, 1/12.5, 1/15, 1/20, 1/25, 1/30, 1/50, 1/60, 1/100, 1/120, 1/240, 1/480, 1/960, 1/1024, 1/2000 sec			
	Day/Night Performance	True Day & Night			
	IR Illumination	18 IR LEDs		-	
	Min. Illumination	0.21 lux (F1.2, 50IRE), 0 lux (IR LED ON) : B/W		0.26 lux (F1.2, 50IRE), 0.11 lux (F1.2, 50IRE) : B/W	
	Other Function	AGC, BLC (Back Light Compensation)			
Lens	Type/ Focal Length	3-9mm Varifocal with P-Iris			
	Max. Aperture	F1.2			
	Iris	P-Iris			
	ProSet Remote Zoom/Focus	Yes			
	F.O.V.	104.2° ~ 35.5°			
Analog	Video Signal	NTSC/PAL selectable			
	Monitor Output	Composite output (BNC), 75 ohm 1Vpp			
Network	Network	10BASE-T, 100BASE-TX, RJ45			
	Image Compression	H.264, MJPEG - 2nd stream only			
	Resolution	1920 x 1080 (Full HD Model), 1280 x 1024 (SXGA), 1280 x 720 (720p), 640 x 480 (VGA), 640 x 360 (HVGAW), 320 x 240 (QVGA), 704 x 480 (4CIF), 352 x 240 (CIF)			
	Protocol	IPv4, HTTP, SMTP, UPnP, DNS, RTP, TCP, UDP, RTCP, DHCP, ARP, IGMP, IGMP, ICMP, NTP			
	Frame Rate	1 fps ~ 25 fps / 1 fps ~ 30 fps			
	Web Browser	Internet Explorer 7.0 or above, Firefox, Chrome, Smart phone (iOS, Android)			
	Security	Password Protection, IP Addressing Filtering			
	SDK (API)	HTML based API - ONVIF			
	VMD (Video Motion Detection)	User set 4 ROI (Region of Interest), 10 Step Sensitivity			
	Alarm Trigger	VMD, External Alarm Input			
Alarm Event	E-mail notification (Snapshot), FTP transfer (Snapshot), Video streaming with alarm status				
Power	Power Consumption	12VDC	640mA, Max 7.7 W 1.01A, Max 12.1W (with Heater)	450mA, Max 5.4 W 840mA, Max 10.1W (with Heater)	
		24VAC	500mA, Max 7.5W 850mA, Max 12.4W (with Heater)	380mA, Max 5.5W 710mA, Max 10.8W (with Heater)	326mA, 5.4W 672mA, 9.7W (Heater on)
		PoE	140mA, Max 6.7W (IEEE 802.3af compliant)	110mA, Max 5.3W (IEEE 802.3af compliant)	99mA, 4.7W 191mA, 9.2W (Heater on)
Other Specification	Heater	3W (12VDC/24VAC is required) Heater model available soon			
	MicroSD Card	-			
	External I/O Terminals	Alarm In x1, Alarm Out x1, Audio In x1, Audio Out x1			
	Operating Temperature/RH	-10°C ~ 50°C (14°F ~ 122°F) / with heater -30°C ~ 50°C (-22°F ~ 122°F)			
	Weight	1100g			
	Dimensions	Ø145mm x 121.5mm (H) / Ø5.7" x 4.8" (H)			
	IP / IK Rating	IP66 / IK10			
	Certifications	CE, FCC, UL, WEEE			

Model Name		ZN-DT2MAP*	ZN-DT1MAP*	ZN-DT1A*	
					
Camera	Image Sensor	1/2.5" Progressive Scan CMOS			
	Model	1080p	720p	VGA	
	Effective Pixels	2560(H) x 1440(V)	2592(H) x 1944(V)	2112(H) x 1728(V)	
	White Balance	ATW / MANUAL (Preset)			
	Digital Zoom	2 ~ 10x (Client software)			
	Shutter Speed	4, 1/10, 1/12.5, 1/15, 1/20, 1/25, 1/30, 1/50, 1/60, 1/100, 1/120, 1/240, 1/480, 1/960, 1/1024, 1/2000 sec			
	Day/Night Performance	True Day & Night			
	Min. Illumination	Color: 0.98 lux (F1.4, 30IRE) B/W: 0.09 lux (F1.4, Slow Shutter ON, 30IRE)		Color: 1.6 lux (F1.6, 30IRE) B/W: 0.1 lux (F1.6, Slow Shutter ON, 30IRE)	
	Other Function	AGC, BLC (Backlight Compensation)			
	Lens	Type/ Focal Length	3.3-12mm with ProSet Zoom & Focus		3.3-12mm Varifocal
Max. Aperture		F1.4			
Iris		P-Iris		DC Auto Iris	
F.O.V.		76.6° ~ 21.0° (112.6° ~ 28.0°, Wide mode)		86.1° ~ 23.1°	
Analog		Video Signal (Installation Mode Only)	NTSC/PAL selectable		
	Monitor Output	Composite output, 75 ohm 1Vpp			
Network	Network	10BASE-T, 100BASE-TX, RJ45			
	Image Compression	H.264, MJPEG - 2nd stream only			
	Resolution	1920 x 1080, 1280 x 720, 1280 x 720(wide), 1280 x 1024, 1024 x 768, 704 x 480/576, 640 x 480, 352 x 240/288, 320 x 240	1280 x 720, 1280 x 720 (wide), 1280 x 1024, 1024 x 768, 704 x 480/576, 640 x 480, 352 x 240/288, 320 x 240	704 x 480/576, 640 x 480, 352 x 240/288, 320 x 240	
	Protocol	IPv4/6, HTTP, SMTP, UPnP, DNS, Dynamic DNS, NTP, RTSP, RTP, TCP, UDP, IGMP, RTCP, ICMP, DHCP, ARP			
	Frame Rate	2.1 fps ~ 25 fps / 2.5 fps ~ 30 fps			
	Web Browser	Internet Explorer 7.0 or above, Firefox, Chrome, Smart phone (iOS, Android)			
	Security	Password Protection, IP Addressing Filtering			
	SDK (API)	HTML based API - ONVIF			
	VMD (Video Motion Detection)	User set 4 ROI (Region of Interest), 10 Step Sensitivity			
	Alarm Trigger	VMD, External Alarm Input			
Alarm Event	E-mail notification, FTP Uploading, Alarm out				
Power	Power Consumption	12VDC	488mA, 5.9W (ProSet off) 723mA, 8.7W (ProSet on) 920mA, 11.0W (Heater on)	471mA, 5.7W (ProSet off) 690mA, 8.3W (ProSet on) 860mA, 10.4W (Heater on)	460mA, 5.5W 828mA, 9.9W (Heater on)
		24VAC	378mA, 5.8W (ProSet off) 536mA, 8.3W (ProSet on) 761mA, 10.9W (Heater on)	368mA, 5.6W (ProSet off) 515mA, 7.8W (ProSet on) 719mA, 10.3W (Heater on)	326mA, 5.4W 672mA, 9.7W (Heater on)
		PoE	114mA, 5.5W (ProSet off) 158mA, 7.6W (ProSet on) 218mA, 10.5W (Heater on)	105mA, 5.0W (ProSet off) 144mA, 6.9W (ProSet on) 202mA, 9.7W (Heater on)	99mA, 4.7W 191mA, 9.2W (Heater on)
Other Specification	MicroSD Card	MicroSDHC card compatible - SanDisk, Transcend, Kingston, Toshiba: 1G, 2G, 4G, 8G, 16G, 32G			
	External I/O Terminals	Alarm In x1, Alarm Out x1, Audio In x1			
	Operating Temperature	-18°C ~ 50°C (0°F ~ 122°F) -29°C ~ 50°C (-20°F ~ 122°F) with optional heater (ZNA-HD1)			
	Weight	1060g			
	Dimensions	Ø145mm x 116.3mm (H) / Ø5.7" x 4.6" (H)			
	Weather Rating	IP66			
	Certifications	CE, FCC, UL, WEEE			

* This model is subject to being unsold.