

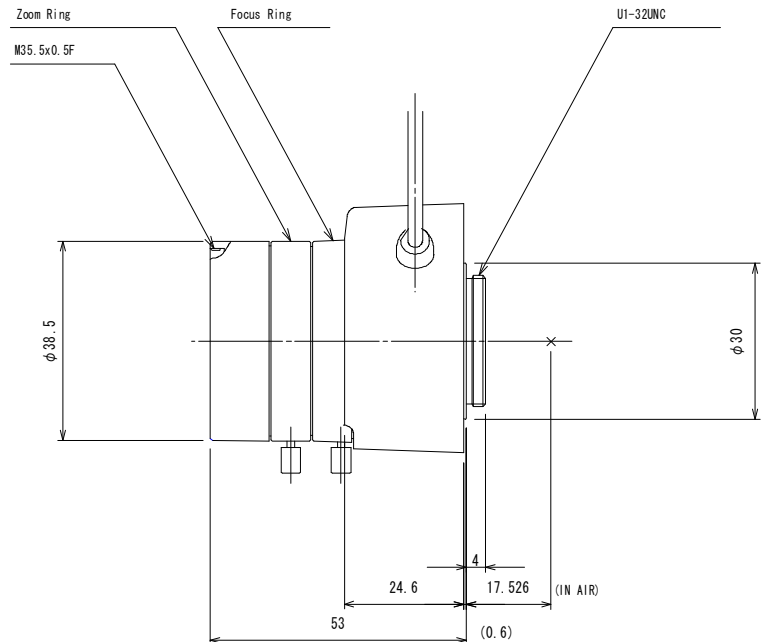
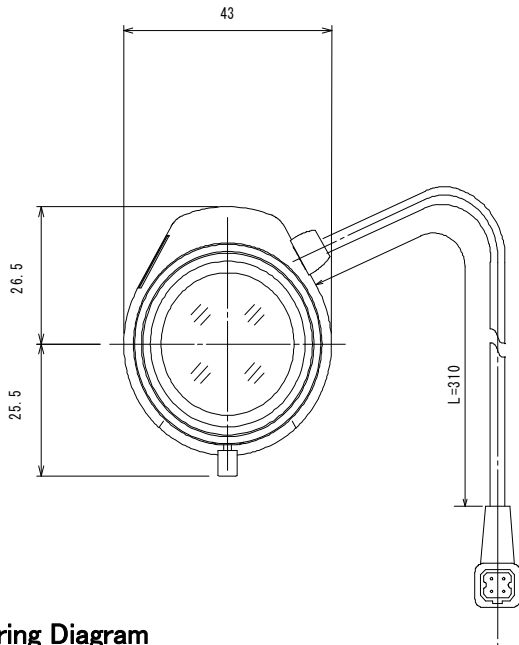
MG3Z1228FC-MP

3X 12mm-36mm F2.8

for 2/3 type Cameras, Megapixel Vari-focal Auto Iris DC Drive
C-Mount

| | | | | | | | |
|-----------------------|---------|-----------------------|---------------|--------------------|---------------|------------------------|--------------|
| Model No. | | MG3Z1228FC-MP | | Effective | Front | φ 27.2mm | |
| Focal Length | | 12mm - 36mm | | Lens Aperture | Rear | φ 12.1mm | |
| Max. Aperture Ratio | | 1:2.8 | | Back Focal Length | Tele | 13.5mm | |
| Max. Image Format | | 6.6mm x 8.8mm(φ 11mm) | | | Wide | 14.7mm | |
| Operation Range | Iris | F2.8 - F360C | | Flange Back Length | | 17.526mm | |
| | Focus | 0.3m - ∞ | | Mount | | C-Mount | |
| | Zoom | 12mm - 36mm | | Filter Size | | M35.5 P=0.5mm | |
| Control | Iris | DC Auto Iris | | Dimensions | | φ 41.6mm x 52mm x 53mm | |
| | Focus | Manual | | Weight | | g | |
| | Zoom | Manual | | | | | |
| Angle of View | D | 2/3 type | 50.4° - 16.8° | 1/2 type | 37.5° - 12.5° | 1/3 type | 28.3° - 9.4° |
| | H | | 41.0° - 13.6° | | 30.2° - 10.0° | | 22.8° - 7.6° |
| | V | | 31.2° - 10.4° | | 22.8° - 7.6° | | 17.1° - 5.7° |
| Coil | Drive | 190Ω | | | | | |
| | Control | 1000Ω | | | | | |
| Operating Temperature | | -10°C - +50°C | | | | | |

Dimensions



Wiring Diagram

