

TEC-M55

55mm F2.8
for 2/3 type Cameras, Telecentric
C-Mount

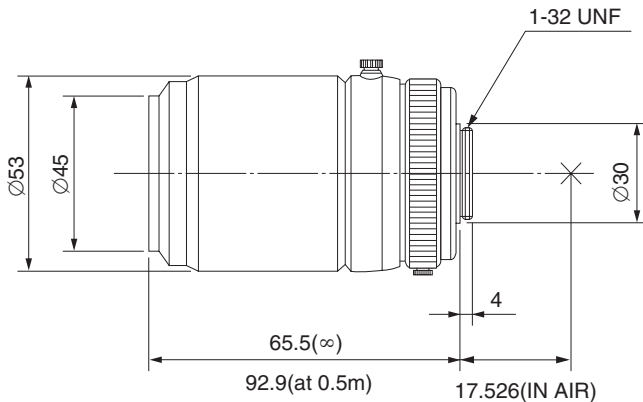
Model No.	TEC-M55		Effective	Front	Ø33.0mm					
Focal Length	55mm		Lens Aperture	Rear	Ø13.3mm					
Max. Aperture Ratio	1:2.8		Back Focal Length	29.8mm						
Max. Image Format	8.8mm x 6.6mm(Ø11mm)		Flange Back Length	17.526mm						
Operation Range	Iris	F2.8 - F32C	Mount	C-Mount						
	Focus	0.14m - Inf.	Filter Size	M43 P=0.75mm						
Control	Iris	Manual	Dimensions	Ø53mm x 92.9mm						
	Focus	Manual	Weight	320g						
Object Dimension at M.O.D.	17mm x 13mm									
Angle of View	D	2/3 type	11.5°	1/2 type	8.3°	1/3 type	6.2°			
	H							9.2°	6.7°	5.0°
	V									
Operating Temperature	-20°C - +50°C									

2/3
type

M.O.D. : Minimum Object Distance

Dimensions

C



f=55mm

Working	Angle of View (H)	
	2/3 type camera	1/2 type camera
5,000mm	700mm	550mm
3,000	400	320
1,000	150	120
500	70	53
300	40	32
200	27	20
140	17	12

Optional Accessory

