

H10Z0812AMS-2

10X 8mm - 80mm F1.2
for 1/2 type Cameras, Motorized Zoom
C-Mount

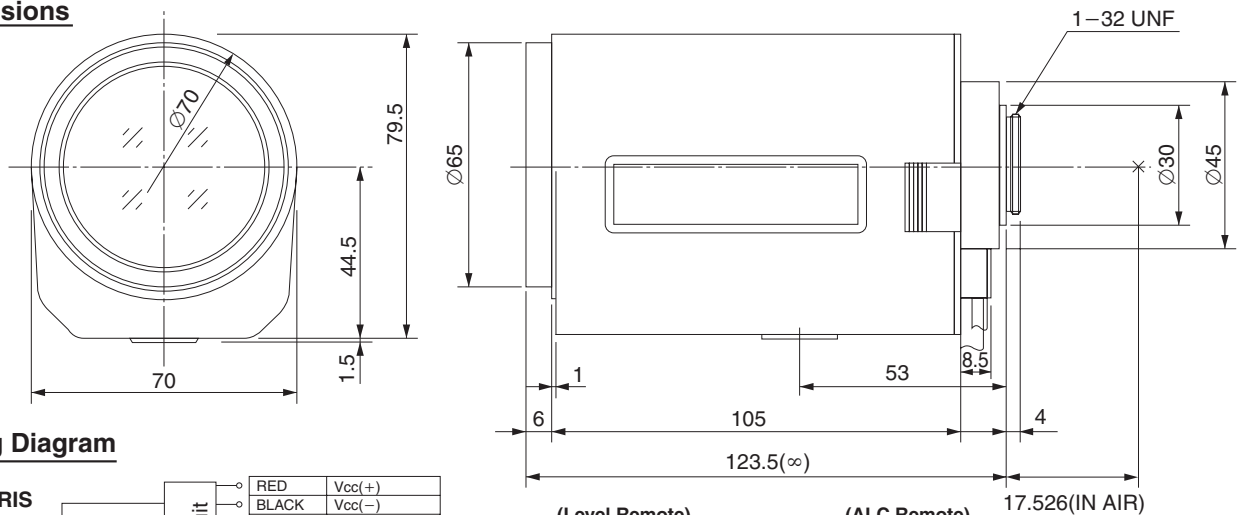
with Video Auto Iris

Model No.	H10Z0812AMS-2		Effective	Front	Ø54.0mm		
Focal Length	8mm - 80mm		Lens Aperture	Rear	Ø14.0mm		
Max. Aperture Ratio	1:1.2		Back Focal Length	15.3mm			
Max. Image Format	6.4mm x 4.8mm(Ø8mm)		Flange Back Length	17.526mm			
Operation Range	Iris	F1.2 - F560C	Mount	C-Mount			
	Focus	1.5m - Inf.	Filter Size	M62 P=0.75mm			
	Zoom	8mm - 80mm	Tripod Screw	1/4 - 20UNC			
Control	Iris	Video Auto Iris	Dimensions	W70mm x H81mm x D123.5mm			
	Focus	Motorized	Weight	670g			
	Zoom	Motorized					
Object Dimension at M.O.D.	8mm	124.8cm x 92.5cm					
	80mm	12.3cm x 9.2cm					
Angle of View	D	1/2 type	54.3° - 5.8°	1/3 type	41.3° - 4.4°	1/4 type	31.2° - 3.3°
	H		44.0° - 4.7°		33.3° - 3.5°		25.0° - 2.6°
	V		33.3° - 3.5°		25.0° - 2.6°		18.8° - 2.0°
		Iris	Focus	Zoom			
Supply Voltage	DC8.5V - DC16V		DC8V	DC8V			
Current	40mA or less		40mA or less	35mA or less			
Response Time	Approx. 2 sec.		Approx. 4.5 sec.	Approx. 3.5 sec.			
Preset Potentiometer	—		—	—			
Light Weighting Method	Adjustable between Average - Peak (to be Set at Average at Factory)						
Remote Control	Level Remote (Option) / ALC Remote (Option)						
Input Signal	Video Signal (V or VS)						
Iris Accuracy	±15% at Video Signal Level						
Sensitivity Adjustment	0.5V(p-p) - 1.0V(p-p) (Video Signal)						
Input Impedance	High Impedance						
Operating Temperature	-10°C - +50°C						

1/2 type

C

Dimensions



Wiring Diagram

