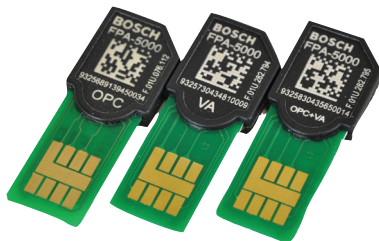


Licence Keys

www.boschsecurity.com



BOSCH
Invented for life



Licence keys for connecting the FPA-1200 panel or the FPA-5000 panel or networks to networks with OPC server and voice alarm systems over IP.

The licence keys are available in three different versions:

- ADC-5000-OPC Licence Key for OPC server connection
- ADC-5000-VA Licence Key for voice alarm connection
- ADC-5000-OPC-VA Licence Key for combined connection to voice alarm and OPC

ADC-5000-OPC Licence Key

The ADC-5000-OPC Licence Key enables reliable communication between the OPC server and the fire panels FPA-1200, FPA-5000, or networks. The OPC server can monitor several FPA-5000/1200 fire panels or networks if in the observed systems one OPC license key is available.

The OPC server software can be found on the FSP-5000-RPS CD (2.0.49 and higher).

ADC-5000-VA Licence Key

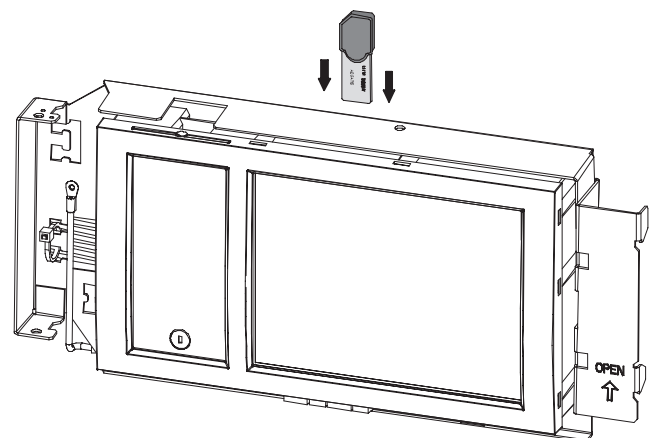
The ADC-5000-VA enables the IP Ethernet data interaction between the FPA-5000/FPA-1200 fire panel and the Praesideo/PAVIRO voice alarm systems. The activation of all programmed voice zones is realized by only one data connection without additional devices.

- ▶ Easy and reliable connection to OPC server and/or Praesideo/PAVIRO voice alarm system
- ▶ Handy installation with easy plug in

ADC-5000-OPC-VA Licence Key

OPC server connection and Praesideo/PAVIRO voice alarm system are independently activated with only one licence key.

System overview



Ordering information

Licence Key OPC

Enables reliable communication between the OPC server and the FPA-1200 panel or FPA-5000 panel or networks.

Order number **ADC-5000-OPC**

Licence Key Voice Alarm

Enables connection of FPA-1200 panels and FPA-5000 panels or networks to the voice alarm systems Praesideo/PAVIRO.

Order number **ADC-5000-VA**

Licence Key Voice Alarm and OPC

Enables connection of FPA-1200 panels and FPA-5000 panels or networks to the voice alarm systems Praesideo/PAVIRO and the OPC server.

Order number **ADC-5000-OPC-VA**

Represented by:

Americas:

Bosch Security Systems, Inc.
130 Perinton Parkway
Fairport, New York, 14450, USA
Phone: +1 800 289 0096
Fax: +1 585 223 9180
security.sales@us.bosch.com
www.boschsecurity.us

Europe, Middle East, Africa:

Bosch Security Systems B.V.
P.O. Box 80002
5617 BA Eindhoven, The Netherlands
Phone: + 31 40 2577 284
Fax: +31 40 2577 330
emea.securitysystems@bosch.com
www.boschsecurity.com

Asia-Pacific:

Robert Bosch (SEA) Pte Ltd, Security Systems
11 Bishan Street 21
Singapore 573943
Phone: +65 6571 2808
Fax: +65 6571 2699
apr.securitysystems@bosch.com
www.boschsecurity.asia

China:

Bosch (Shanghai) Security Systems Ltd.
203 Building, No. 333 Fuquan Road
North IBP
Changning District, Shanghai
200335 China
Phone +86 21 22181111
Fax: +86 21 22182398
www.boschsecurity.com.cn

America Latina:

Robert Bosch Ltda Security Systems Division
Via Anhanguera, Km 98
CEP 13065-900
Campinas, Sao Paulo, Brazil
Phone: +55 19 2103 2860
Fax: +55 19 2103 2862
latam.boschsecurity@bosch.com
www.boschsecurity.com