

H62Z1235PDC-MPIR

62X 12.5-775mm F3.5
 for 1/2 type Cameras, Motorized Zoom
 C-Mount, Megapixel, Preset (Focus & Zoom)
 Fog through filter (when select 850nm, 880nm, 950nm)
 IR Lamp focus adjustment (For 850nm, 880nm, 950nm)

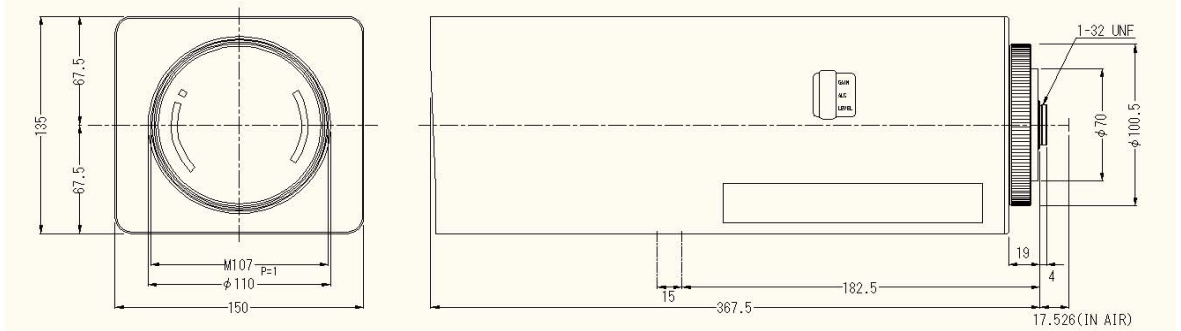
with DC Auto Iris

Model No.	H62Z1235PDC-MPIR			Effective Lens Aperture	Front	φ 98.5mm	
Focal Length	12.5mm - 775mm			Rear		φ 17.5mm	
Max. Aperture Ratio	1:3.5			Back Focal Length	42.29mm		
Max. Image Format	6.4mm x 4.8mm (φ 8mm)			Flange Back Length	17.53mm		
Operation Range	Iris	F3.5 - Close		Mount	C-Mount		
	Focus	5.0m - Inf.		Filter Size	M107 P=1.0mm		
	Zoom	12.5mm - 775mm		Tripod Screw	1/4 -20UNC X 2		
Control	Iris	DC Auto Iris		Dimensions	W150mm x H135mm x D367.5mm		
	Focus	Motorized		Weight	5800g		
	Zoom	Motorized					
Object Dimension at M.O.D.	12.5mm	245.4cm X 184.2cm					
	775mm	3.94cm X 2.96cm					
Angle of View	D	1/2 type	35.47° - 0.58°	1/3 type	27.06° - 0.44°	1/4 type	20.44° - 0.33°
	H		28.77° - 0.47°		21.78° - 0.35°		16.41° - 0.26°
	V		21.78° - 0.35°		16.41° - 0.26°		12.34° - 0.20°
Supply Voltage	Iris			Focus	Zoom		
Current	-		DC6-12V	DC6-12V	DC6-12V		
Response Time	-		60mA or less	60mA or less	60mA or less		
Preset Potentiometer	-		Approx. 7.5 sec. (when 10V input)	Approx. 8.5 sec. (when 10V input)	Approx. 8.5 sec. (when 10V input)		
Coil	Drive	190 Ω		10K Ω VR	10K Ω VR		
	Control	1000 Ω					
Operating Temperature	-10°C - +50°C						

1/2 type

C

Dimensions



Wiring Diagram

