

Features

Individual addressable manual fire alarm callpoints with:

- Power and data supplied via MX Technology addressable loop communications using a single wire pair
- Integral LED indicator for status identification
- EMI compatibility
- Test key allows the callpoint to be tested without breaking the glass to speed maintenance visits
- Requires a special key to open the callpoint
- Address is easily programmed with the MX Service Tool
- Internally mounted addressable module is similar to the design of the 4090-5201 Mini-IAM

Compatibility:

- For use with Simplex® 4100ES, 4010ES, and 4100U Series fire alarm control panels equipped with an MX Loop Module
- Refer to data sheet S4100-0059 for MX Loop Module details

Model 4099-5203 for indoor applications:

- Indoor callpoint supports surface or flush mounting

Model 4099-5204 for outdoor applications:

- Rated as IP67 for external applications
- Outdoor callpoints are for surface mounting

Description

Addressable manual callpoints, with compact communications module, are easily installed to satisfy demanding applications. An integral addressable module monitors status and communicates changes to the connected control panel via MX Loop communications. Alarms are signaled by breaking a glass element which operates a switch and is indicated by an LED indicator.

Product Selection

MX Loop Addressable Manual Callpoints

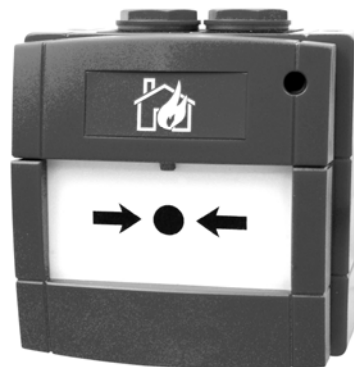
Model	Description	Instructions
4099-5203	MX Loop addressable <i>indoor</i> callpoint	579-923
4099-5204	MX Loop addressable <i>outdoor</i> callpoint, includes surface mount box	579-924

Accessories

Model	Description
515.001.021	Surface mount backbox for <i>indoor</i> callpoints, 32 mm deep (1 1/4")
4099-9706	Callpoint replacement glass, package of 10



4099-5203, Indoor Callpoint



4099-5204, Outdoor Callpoint

Specifications

Common Specifications	
Power and Communications	MX Loop, 1 address per callpoint
Current	0.46 mA in standby
	4.5 mA in alarm
Address Means	Select with MX Service Tool
Wire Connections	Terminal blocks, for wire size 20 to 14 AWG (0.5 to 2.5 mm ²)
Color	Red, RAL3001
Material	PC/ABS
Model 4099-5203, Indoor Callpoint	
Operating Temperature Range	14° F to 131° F (-10° C to 55° C)
Humidity Range	Up to 95% RH non-condensing
Ingress Protection	IP24D
Dimensions, housing only (semi-flush mount)	3 5/8" H x 3 1/2" W x 1 1/16" D (93 mm x 89 mm x 28 mm)
Model 4099-5204, Outdoor Callpoint	
Operating Temperature Range	-13° F to 158° F (-25° C to 70° C)
Ingress Protection	IP67
Dimensions, with mounting box	3 5/8" H x 3 13/16" W x 2 7/8" D (93 mm x 97.5 mm x 73 mm)

Application Reference

Refer to NFPA 72, the *National Fire Alarm and Signaling Code*, and all applicable local codes for complete requirements for manual callpoints. The following summarizes the basic requirements:

1. Callpoints shall be located in the normal path of exit and distributed in the protected area such that they are unobstructed and readily accessible.
2. Mounting shall be with the operable part not less than 3 ½ ft (1.1 m) and not more than 4 ½ ft (1.37 m) above floor level.
3. At least one callpoint shall be provided on each floor. Additional callpoints shall be provided to obtain a travel distance not more than 200 ft (61m) to the nearest callpoint from any part of the building.
4. When manual callpoint coverage appears limited in any way, additional callpoints should be installed.

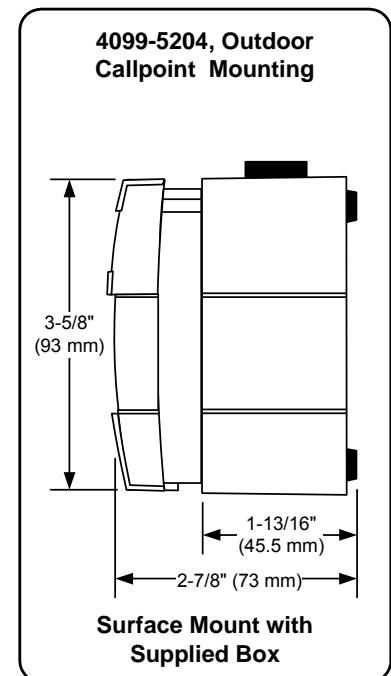
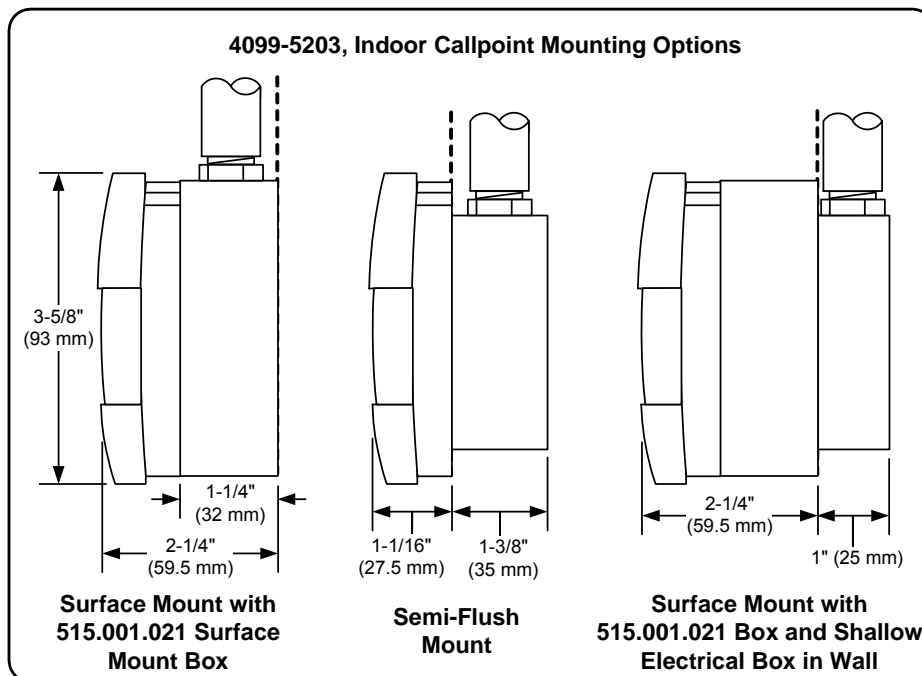
Operation

Activation of the callpoint requires the glass element to be broken. A protective plastic coating on the glass prevents operator injury and inhibits the release of glass fragments. A hammer is not required. Completing the action operates a micro-switch whose condition is signaled back to the control panel.

Callpoint reset requires the use of a special key (supplied with the callpoint) to remove the front cover which allows the glass element to be replaced.

Callpoint testing is performed by inserting the key fully into the bottom of the housing and pulling down, this releases the bottom of the housing and break glass element. To reset the callpoint, the bottom of the housing is pushed upwards until it locks in position.

Mounting Reference



TYCO, SIMPLEX, and the product names listed in this material are marks and/or registered marks. Unauthorized use is strictly prohibited. NFPA 72 and National Fire Alarm Code are trademarks of the National Fire Protection Association (NFPA).