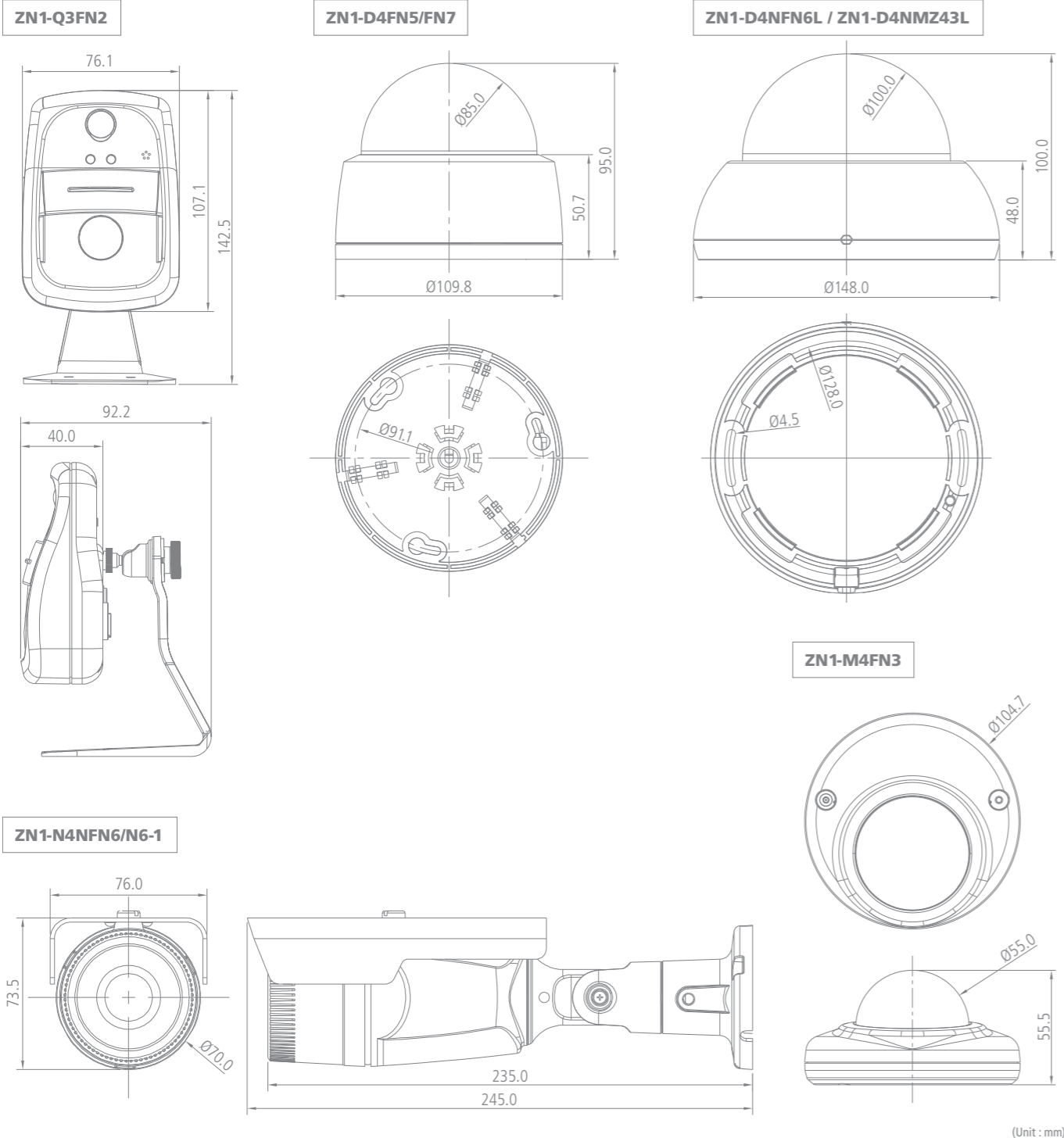


**DIMENSIONS**



\*Exact products and specifications shown may vary by geographic and subject to change without notice.  
Actual products may differ from the images appearing in the specification sheet.



**CBC Co.,Ltd.**  
TOKYO Head Office Image and Information Technology Division  
Ganz Global Brand Center

<http://www.ganz-global.com/>

UPDATE: Oct, 2014



**GANZ IP SPECIFICATIONS**

PixelPro GXi Network Camera  
(with Video Content Analytics)  
**Compact Series**







**Features:**

- Embedded Intelligent Video Content Analytics
- Full Frame at 1080p or 720p
- Video Compression: H.264, MJPEG
- Burnt in Text, Video Motion Detection Support
- microSD Memory Support
- Two-way Audio with G.711 (ZN1-Q3FN2)

**CBC Co.,Ltd.**  
Ganz Global Brand Center

# SPECIFICATION

MODEL	ZN1-Q3FN2	ZN1-M4FN3	ZN1-D4FN5/FN7	
				
Camera Module	Image Sensor	1/4" 720p CMOS	1/2.7" 1080p CMOS	SONY EXMOR 1/2.9" 1080p CMOS
	Effective Pixels	1280 x 720	1920 x 1080	1920 x 1080
	Scanning System	Progressive Scan		
	AGC control	Auto		
	Minimum Illumination	Color: 0.8 lux, B/W : 0.1 lux (DSS ON)	Color: 1.0 lux / B/W : 0.001 lux (DSS ON)	
	Lens	2.7mm F2.0	2.8mm F2.0	4.0mm F2.0 (FN5), 2.97mm F2.0 (FN7)
	Field of View	Horizontal: Approx. 91.0° Vertical: Approx. 59.0°	Horizontal: Approx. 110.0° Vertical: Approx. 81.5°	Horizontal: Approx. 84.4°(FN5), 104.5°(FN7) Vertical: Approx. 50.3°(FN5), 55.0°(FN7)
	Day & Night	Digital Day & Night		
	WDR	Digital WDR		
	DNR (Digital Noise Reduction)	Supported		
	DSS (Digital Slow Shutter)	2X ~ 16X		
	White Balance	ATW1 / ATW2 / Push / Manual		
	BLC	On (possible to designate zone) / Off		
	IR LEDs	-		
DC auto Iris	-			
Video	Compression Format	H.264 Baseline, Main, High profile (MPEG-4 Part 10 / AVC), MJPEG (Motion JPEG)		
	Number of Streams	Dual Stream, Configurable streams in H.264, MJPEG		
	Resolutions	1280 x 720(720p), 1120 x 630, 960 x 540, 800 x 450(qHD), 640 x 360(HVGAW), 480 x 270, 320 x 180	1920 x 1080(Full HD), 1280 x 720(720p), 1120 x 630, 960 x 540(qHD), 800 x 450, 640 x 360(HVGAW), 480 x 270, 320 x 180	
	Frame rate	H.264: Max 30fps in all resolution MJPEG: Max 30fps in all resolution		
	Motion Detection	Supported		
	Text Overlay	Time stamp and text caption overlay		
	Analog Output	-		
Audio	Input	1 Channel	-	
	Output	1 Channel	-	
	Compression Format	G.711 μ-law	-	
Function	PIR Sensor	Supported	-	
	DI	1 Channel	-	1 Channel
	DO	1 Channel	-	1 Channel
	RS-485	-		
	Network	10 / 100 Base-T		
	Protocol	QoS Layer 3 DiffServ, TCP/IP, UDP/IP, HTTP, HTTPS, RTSP, RTCP, RTP/UDP, RTP/TCP, mDNS, UPnP™, SMTP, DHCP, DNS, DynDNS, NTP, SNMPv1/v2c/v3(MIB-II), IGMP, ICMP, SSLv2/v3, TLSv1		
	SD Memory Card Slot	microSD slot (up to 64GB)		
Electrical	Power Source	12VDC	PoE	12VDC, PoE
	Power Over Ethernet	-	Supported (IEEE 802.3af)	
	Power Consumption(Approx)	3.4W @ 12VDC	2.4W @ PoE	2.64W @ 12VDC
Environmental	Operating Temperature (Not include cold start)	0°C ~ 40°C (32°F ~ 104°F)		
	Operating Humidity	Humidity up to 85% RH (non-condensing)		
Mechanical	Dimensions	76.1(W) x 142.5(H) x 92.2(D) / 3.0" x 5.6" x 3.6"	Housing: 105.5(ø) x 55.5(H) mm / 4.2" x 2.2", Dome: 55.0(ø) mm / 2.2"(ø)	Housing : 109.8(ø) x 95.0(H)mm / 4.3" x 3.7", Dome: 85.0(ø)mm / 3.3"(ø)
	Weight(Approx)	142g	270g	300g
Certification	CE / FCC			
IP / IK Rating	-	IK09	-	
Onvif	Supported			

MODEL	ZN1-D4NFN6L	ZN1-D4NMZ43L	ZN1-N4NFN6/N6-1	
				
Camera Module	Image Sensor	SONY EXMOR 1/2.9" 1080p CMOS		
	Effective Pixels	1920 x 1080		
	Scanning System	Progressive Scan		
	AGC control	Auto		
	Minimum Illumination	Color: 1.0 lux / B/W : 0 lux (IR LED ON)	Color: 0.5 lux / B/W : 0 lux (IR LED ON)	Color: 1.0 lux / B/W : 0 lux (IR LED ON)
	Lens	4.3mm F2.0	3.0(w) - 9.0mm(t), F1.2(w) - F2.3(t), Motorized Focus & Zoom lens	4.3mm F2.0
	Field of View	Horizontal: Approx. 74.4° Vertical: Approx. 40.8°	Horizontal: Approx. 133.5°(Wide) to 40.8°(Tele) Vertical: Approx. 57.7°(Wide) to 19.9°(Tele)	Horizontal: Approx. 74.4° Vertical: Approx. 40.8°
	Day & Night	True Day & Night (Removable IR-cut filter)		
	WDR	Digital WDR		
	DNR (Digital Noise Reduction)	Supported		
	DSS (Digital Slow Shutter)	2X ~ 16X		
	White Balance	ATW1 / ATW2 / Push / Manual		
	BLC	On (possible to designate zone) / Off		
	IR LEDs	IR LED x 10 (850nm)	IR LED x 14 (850nm)	High Power IR LED x 8 (850nm)
DC auto Iris	-	Supported	-	
Video	Compression Format	H.264 Baseline, Main, High profile (MPEG-4 Part 10 / AVC), MJPEG (Motion JPEG)		
	Number of Streams	Dual Stream, Configurable streams in H.264, MJPEG		
	Resolutions	1920 x 1080(Full HD), 1280 x 720(720p), 1120 x 630, 960 x 540(qHD), 800 x 450, 640 x 360(HVGAW), 480 x 270, 320 x 180		
	Frame rate	H.264: Max 30fps in all resolution MJPEG: Max 30fps in all resolution		
	Motion Detection	Supported		
	Text Overlay	Time stamp and text caption overlay		
	Analog Output	NTSC / PAL (3 minutes, only for installation purpose)		-
Audio	Input	-		
	Output	-		
	Compression Format	-		
Function	Repositioning Preset	-		
	DI	-	N/A (N6) / 1Channel (N6-1)	
	DO	-	N/A (N6) / 1Channel (N6-1)	
	RS-485	-		
	Network	10 / 100 Base-T		
	Protocol	QoS Layer 3 DiffServ, TCP/IP, UDP/IP, HTTP, HTTPS, RTSP, RTCP, RTP/UDP, RTP/TCP, mDNS, UPnP™, SMTP, DHCP, DNS, DynDNS, NTP, SNMPv1/v2c/v3(MIB-II), IGMP, ICMP, SSLv2/v3, TLSv1		
	SD Memory Card Slot	microSD slot (up to 64GB)		
Electrical	Power Source	12VDC, PoE	PoE only (N6) / PoE, 12VDC (N6-1)	
	Power Over Ethernet	Supported (IEEE 802.3af)		
	Power Consumption(Approx)	5.0W @ 12VDC	7.0W @ 12VDC	5.6W @ PoE (N6) / 6.0W @ 12VDC (N6-1)
Environmental	Operating Temperature (Not include cold start)	0°C ~ 40°C (32°F ~ 104°F)		[12VDC] -20°C ~ 50°C (-4°F ~ 122°F) (N6-1) [PoE] -20°C ~ 45°C (-4°F ~ 113°F)
	Operating Humidity	Humidity up to 85% RH (non-condensing)		
Mechanical	Dimensions	Housing : 148.0(ø) x 100.0(H)mm / 5.8" x 3.9", Dome: 100.0(ø)mm / 3.9"(ø)		76.0(W) x 73.5(H) x 235.0(D) mm / 3.0" x 2.9" x 9.3"
	Weight(Approx)	430g	470g	600g
Certification	CE / FCC			
IP / IK Rating	-			IP66
Onvif	Supported			