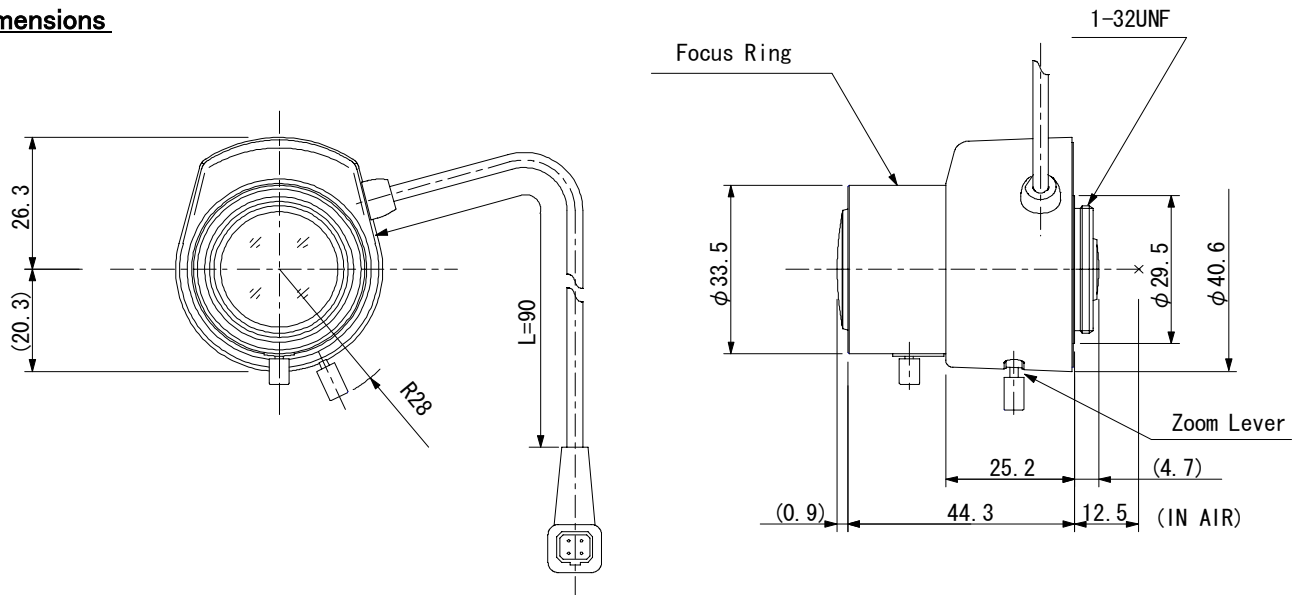


TG3Z2910FCS

3X 2.9mm-8.2mm F1.0
for 1/3 type Cameras, Vari-focal Auto Iris DC Drive
CS-Mount

Model No.	TG3Z2910FCS		Effective	Front	ϕ 18.8mm	
Focal Length	2.9mm - 8.2mm		Lens Aperture	Rear	ϕ 9.0mm	
Max. Aperture Ratio	1:1.0		Back Focal	Tele	14.0mm	
Max. Image Format	4.8mm x 3.6mm(ϕ 6mm)		Length	Wide	7.8mm	
Operation Range	Iris	F1.0 - F360C		Flange Back Length	12.5mm	
	Focus	0.5m - Inf.		Mount	CS-Mount	
	Zoom	2.9mm - 8.2mm		Filter Size	—	
Control	Iris	DC Auto Iris		Dimensions	ϕ 33.5mm x 46.6mm x 44.3mm	
	Focus	Manual		Weight	47g	
	Zoom	Manual				
Angle of View	D	1/3 type	133.9° - 44.2°	1/4 type	91.0° - 33.0°	
	H		98.3° - 35.2°		70.7° - 26.3°	
	V		70.7° - 26.3°		51.9° - 19.7°	
Coil	Drive	190 Ω / 20°C				
	Control	855 Ω / 20°C				
Operating Temperature	-10°C - +50°C					

Dimensions



Wiring Diagram

