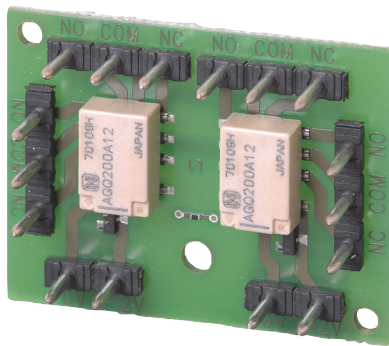


IMS-RM Relay Module

www.boschsecurity.com

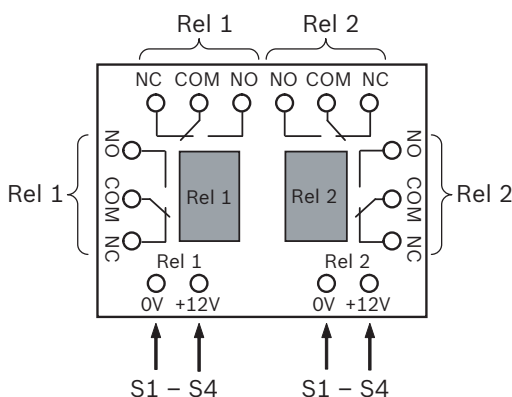


BOSCH
Invented for life



IMS-RM Relay Module with 2 relays, 2 switching contacts per relay for dry contacts.
 The IMS-RM relay module is installed if the high power requirement of the connected control elements results in these becoming impossible to actuate directly from the ISP-EMIL-120 LSN Expansion Module, or in order to enable dry contacts.
 Up to 2 IMS-RM Relay Modules can be installed in the ISP-EMIL-120 LSN Expansion Module, relay module with 2 relays, 2 switching contacts for dry contacts.

Functions



Parts included

Type	Qty.	Component
IMS-RM	1	Relay module

Technical specifications

Reel	
• Reel voltage	12 VDC (max. 18 V)
• Power intake per relay at 12 V	11.7 mA ±10%
• Response voltage	> 9 V
• Fall-off voltage	< 1.2 V
Switch contacts	
• Principle	2 dry contacts per relay
• Permanent current	Max. 1 A
• Switching voltage	Max. 110 V
• Switching performance	Max. 30 W

Ordering information

IMS-RM Relay Module

With 2 relays, 2 switching contacts per relay for dry contacts, for installation (max. 2) in the ISP-EMIL-120 housing version

Order number **IMS-RM**

Represented by:

Americas:

Bosch Security Systems, Inc.
130 Perinton Parkway
Fairport, New York, 14450, USA
Phone: +1 800 289 0096
Fax: +1 585 223 9180
security.sales@us.bosch.com
www.boschsecurity.us

Europe, Middle East, Africa:

Bosch Security Systems B.V.
P.O. Box 80002
5617 BA Eindhoven, The Netherlands
Phone: + 31 40 2577 284
Fax: +31 40 2577 330
emea.securitysystems@bosch.com
www.boschsecurity.com

Asia-Pacific:

Robert Bosch (SEA) Pte Ltd, Security Systems
11 Bishan Street 21
Singapore 573943
Phone: +65 6571 2808
Fax: +65 6571 2699
apr.securitysystems@bosch.com
www.boschsecurity.asia

China:

Bosch (Shanghai) Security Systems Ltd.
203 Building, No. 333 Fuquan Road
North IBP
Changning District, Shanghai
200335 China
Phone +86 21 22181111
Fax: +86 21 22182398
www.boschsecurity.com.cn

America Latina:

Robert Bosch Ltda Security Systems Division
Via Anhanguera, Km 98
CEP 13065-900
Campinas, Sao Paulo, Brazil
Phone: +55 19 2103 2860
Fax: +55 19 2103 2862
latam.boschsecurity@bosch.com
www.boschsecurity.com