

## Outdoor PoE Powered Vandal Resistant Fixed Camera Housing

The UNI-ORBC6 is an outdoor, PoE, vandal resistant, fixed camera housing. The housing includes a feed-thru wall / pole mount, adjustable sunshield and 30 watt PoE midspan.



### KEY FEATURES

- Compatible with: SNC-CH110 / 120 / 140 / 210 / 220 and 240.
- Accommodates wide-angle lenses up to 135°.
- Meets NEMA type 4X standards.
- Standard wall / pole mount.
- Thermostatically controlled heater and blower.
- IK10 impact rated.
- PoE with Dynamic Power Allocation (DPA):
  - Supports PoE Plus IEEE802.3at which powers the heater, blower, and camera.
  - DPA ensures maximum power to the camera in all conditions.
  - Automatically adjusts for weather conditions and long cable runs.
- IP66 rated for superior moisture and dirt ingress protection.
- Equipped with an adjustable sunshield.

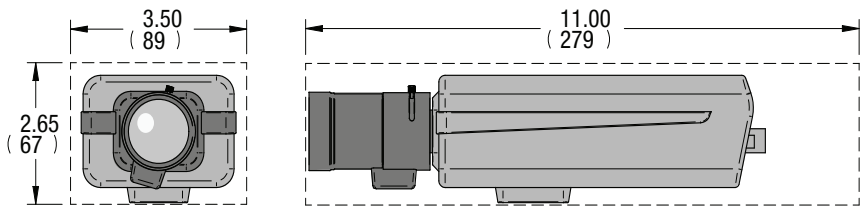
### BID SPECIFICATIONS

- The outdoor UNI-ORBC6 with Dynamic Power Allocation (DPA) Technology is designed to keep advanced PoE fixed cameras operating at peak performance under all weather conditions. Extreme environments especially temperature pose a major threat to typical PoE camera systems. A typical outdoor PoE camera system splits a fixed amount of power to the camera and the heater / blower. This does not allow for optimum performance in all weather conditions. With DPA technology, power is constantly monitored and allocated according to current conditions based on need. Over time temperature fluctuations can reduce the performance of the camera and lead to premature failures. The UNI-ORBC6 addresses these concerns and helps to ensure the proper amount of power is designated as needed.
- The UNI-ORBC6 is an IP66 enclosure designed with features such as: a side hinge that allows for easy camera servicing and setup; a snap-in camera mounting sled for simple and secure camera installation, a strategically placed heater / blower with channelled air flow to ensure the housing window and camera lens remain clear; and a heavy-duty feed through wall / pole mount with conduit input for clean installation aesthetics.

## SPECIFICATIONS

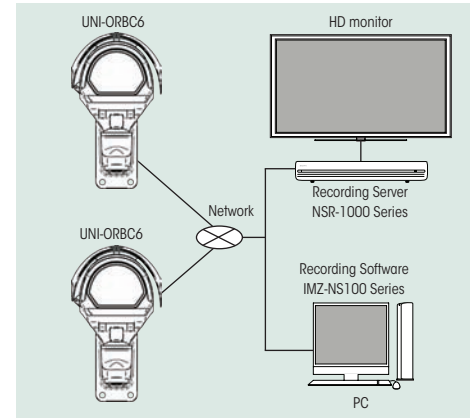
UNI-ORBC6	
<b>Mechanical</b>	
Size (L x W x H)	19.25 x 6.36 x 11.04 inches (489 x 161.7 x 280.4mm)
Weight	5.3 lbs. (2.4 kg) without camera
Construction body	Polycarbonate
Construction top	Polycarbonate
Max camera length	11 inches (280mm)
Mounting bracket construction	Cast aluminum
Mounting style	Wall or Pole
Mounting pattern (W x H)	2 x 4.25 inches (51 x 108mm)
Window construction	Scratch resistant polycarbonate
<b>Environmental</b>	
Operating temperature	-40°F to 122°F (-40°C to 50°C) for maximum camera performance
Heater activates at	60°F (15.5°C)
Heater deactivates at	80°F (27°C)
Blower	Yes (Continuous)
Effective Projected Area (EPA)	105 in <sup>2</sup>
IP rating (weather rating)	IP66 / NEMA 4X
Maximum windload	150 mph (240 kph)
<b>Model</b>	
UNI-ORBC6	PoE input, with DPA, supports IEEE802.3af cameras, 30 watt midspan included, heater and blower, adjustable sunshield
<b>Electrical</b>	
Input voltage	PoE (IEEE802.3af)
Power consumption	PoE: 25 watts: camera, heater and blower
Power output	PoE: IEEE802.3af
Midspan Power input	100 - to 240VAC, Power: 8A - 30 watts at 56v
<b>Shipping</b>	
Weight	7.3 lbs (3.3 kg)
Box dimensions (W x H x L)	8.25 x 11.75 x 19.5 inches (209 x 298 x 495mm)

## CAMERA LENGTH DIAGRAM



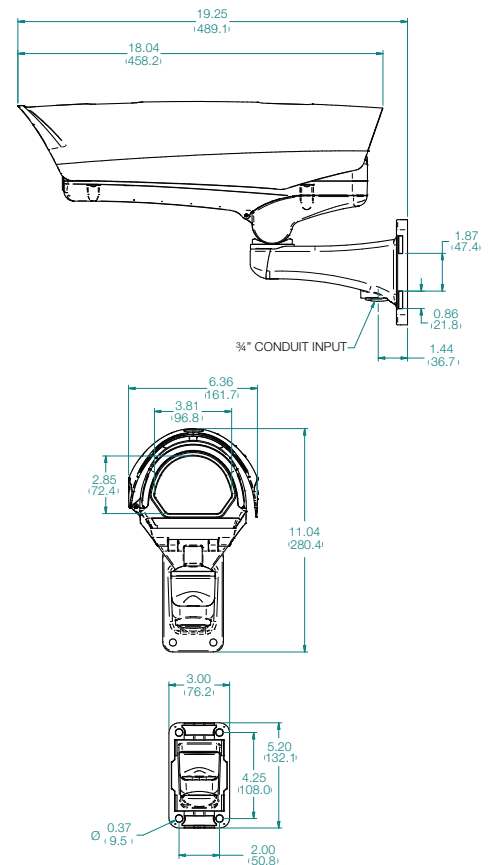
\*Some cameras outside of the shown dimensions may be compatible with this housing. Contact us for assistance.

## SYSTEM CONFIGURATIONS



## DIMENSIONS

Unit: inches (mm)



© 2012 Sony Electronics Inc. All rights reserved.  
 Reproduction in whole or in part without written permission is prohibited.  
 Features and specifications are subject to change without notice.  
 Weights and measurements are approximate.  
 Sony and the Sony make.believe logo are trademarks of Sony.

Sony Electronics Inc.  
 1 Sony Drive  
 Park Ridge, NJ 07656  
[sony.com/security](http://sony.com/security)