

MAXIMUS MVX

HIGH-SPEC EX-PROOF DAY/NIGHT CAMERA IN A COMPACT DESIGN



MAIN FEATURES

Certifications for use in Zones 1 and 2, IIC T5 and T6 Group (Gas) and in Zones 21 and 22, IICT 100°C and T85°C Group (Dust)

AISI 316L stainless steel construction

Shot peened and electro-polished surfaces

Day/Night camera 36x, 1/4":

- High resolution: up to 550 TV Lines
- Advanced image stabiliser (Stable Zoom Mode)
- Day/Night (Auto ICR: automatic removal of IR filter)

Autofocus

1 alarm input and 1 relay output

4m (13ft) / 10m (33ft) preinstalled armoured multipolar cable with cable gland or, alternatively, with 4m (13ft) / 10m (33ft) cable tail

Integrated wiper

Power supply: 12-24Vdc/24Vac

DESCRIPTION

The explosion-protected MAXIMUS MVX is perfect for effective video surveillance and process control in harsh settings where the presence of gases or flammable dust can create a potentially explosive environment, a reality often found in the oil and gas industries or marine and industrial sectors.

The Day/Night high-resolution camera, with sensor 1/4" and motorised 36x zoom for easier setup, ensures superior image quality even in low lighting and difficult environmental conditions.

One striking advantage offered by these cameras is their extremely easy and secure "plug and play" installation, with multipolar wiring. These cameras arrive ready to use, avoiding the complex electrical connections that are typical of this type of device.

The housing is compact yet functional and is made entirely out of AISI316L stainless steel. Its resistance to corrosion is not only guaranteed, but is also enhanced by way of polishing processes.

Another important feature of the camera is the extended temperature range of -60°C to 65°C, along with a sophisticated cold start system, which allows it to operate in harsh environments as standard.

An equally noteworthy point is that the IP66/IP68 ratings guarantee the complete protection against harsh weather and submersion in up to 5 metres of water for 2 hours. Moreover, the IP69 rating allows the device to be cleaned with high pressure water jets.

These cameras come with wipers and an explosion-proof washer kit is also available, allowing for flawless, maintenance-free cleaning of the front glass.

The MAXIMUS MVX range of cameras meets every installation need, providing maximum performance and excellent value for money.



MVX + NXWBS1



WASEX - STAINLESS STEEL WASHER PUMP WITH EX-PROOF SOLENOID VALVE FOR MAXIMUS RANGE (REF. ACCESSORIES IN TECHNICAL DATA)

TECHNICAL DATA

GENERAL

AISI 316L stainless steel construction

Shot peened and electro-polished surfaces

Silicone O-ring seals

Configuration via OSM

MECHANICAL

Sunshield

Integrated wiper

Unit weight:

- 8.5kg (18.7lb) (housing with 4m multi-polar cable shield)
- 12kg / 26.5lb (housing with 10m multi-polar cable shield)

CABLE GLANDS

Cable entry: 1 hole, 3/4", NPT

Cable gland with gasket Ex d 3/4"NPT and 4m/10m (13ft/33ft) preinstalled multipolar armored cable or with 4m/10m (13ft/33ft) cable tail

HOUSING'S WINDOW

Material: Thermally tempered glass

- Dimensions: 51x41mm (2x1.6in)
- Thick: 12mm (0.47in)

ELECTRICAL

Supply voltage/Current consumption

- 24Vac, 2.2A, 50/60Hz
- 24Vdc, 2.2A
- 12Vdc, 3.5A

Heater (Ton 15°C±3°C (59°F ±5°F), Toff 22°C±3°C (72°F±5°F))

Armoured cable:

- external diameter = 20.00 ± 0.50mm (0.79±0.20in)
- diameter under armature = 15.20mm (0.60in)
- colour: Black RAL9005

Armoured cable composition:

- 3 x 2.5mm²
- 7 x 0.34mm²
- 1 x coax 75ohm RG179

Cable tail composition:

- 3 x 2.5mm², rated external diameter = 8.7mm (0.34in)
- 7 x 0.34mm², rated external diameter = 6.4mm (0.25in)
- 1 x coax 75ohm RG59, rated external diameter = 4.9mm (0.19in)

SERIAL COMMUNICATIONS

Serial interface

- RS-485 line, half-duplex
- Cable length: 1200m max
- Addressable units: 255 (configuration via OSM)

Serial communication protocol

- PANASONIC 850: 9600baud, 19200baud
- PELCO D: 2400baud, 9600baud
- VIDEOTEC MACRO: 9600baud, 38400baud

I/O INTERFACE

I/O alarm card

- Alarm inputs: 1
- Relay outputs: 1 (1A, 30Vac/60Vdc max)

Cable length: 200m (656ft) max

Version with integrated wiper

- Remote wiper activation: 1 input, dry contact NO

CAMERA

Day/Night 36x

White balance: Auto, ATW, Indoor, Outdoor (Fix/Auto), Sodium Vapor Lamp (Fix/Auto)

High horizontal resolution: Up to 550 TV Lines

Day/Night (Auto ICR)

Image Sensor: 1/4" EXView HAD CCD

Number of effective Pixels: ~ 440000 pixel (PAL); ~ 380000 pixel (NTSC)

Minimum Illumination, color (ICR-OFF):

- 1.4lx (1/50s), 0.1lx (1/3s), PAL
- 1.4lx (1/60s), 0.01lx (1/4s), NTSC

Minimum Illumination, B/W (ICR-ON):

- 0.01lx (1/3s), PAL
- 0.01lx (1/4s), NTSC

"Shutter Time" automatic increase to improve the night surveillance

S/N ratio: More than 50dB

AE control: Automatic, Shutter priority, Diaphragm priority, Brightness priority and Manual

Back light compensation: On/Off

Focusing system: Auto (Sensitivity: Normal, Low), Trigger PTZ, Manual

"Smart" lens control: Automatic Lens Reset

Optical zoom 36x, f=3.4 (wide) to 122.4mm (tele) / F1.6 to F4.5

Digital Zoom 12x (432x with optical zoom)

Angle of view (A): 57.8 degrees (wide) to 1.7 degrees (tele)

Minimum object distance: 320mm (12.6in) (wide) to 1500mm (59.1in) (tele)

Electronic Iris Speed: 1/1 ÷ 1/10000s

ENVIRONMENT

Indoor/Outdoor

Operating temperature:

- cold start from -40°C (-40°F) a +65°C (149°F)
- running from -50°C (-58°F) a +65°C (149°F)

Relative humidity: from 10% up to 95% (no condensation)

CERTIFICATIONS

ATEX (EN 60079-0: 2012, EN 60079-1: 2014, EN 60079-31: 2014)

IECEX (IEC 60079-0: 2011 Ed.6, IEC 60079-1: 2014-06 Ed.7, IEC 60079-31: 2013 Ed.2)

INMETRO (ABNT NBR IEC 60079-0:2008 + Errata 1:2011, ABNT NBR IEC 60079-1:2009 + Errata 1:2011, ABNT NBR IEC 60079-31:2011)

EAC Ex (TR CU 012/2011)

ETL listed for USA (UL 60079-0: Ed: 6, UL 60079-1:Ed:6, UL 60079-31: Ed.2), cable tail versions

ETL listed for Canada (C22.2-60079-0:2015, CSA C22.2-60079-1Ed: 2 CSA C22.2-60079-31Ed: 1), cable tail versions

TYPE 6P, TYPE 4X (UL50E)

IP69 (EN/IEC60529), housing only

IP66/IP68 (2 hours, 5m (16ft), EN/IEC60529)

ACCESSORIES

WASEX2T4AT Tank 10l with integrated manual pump controlled by ATEX certified solenoid valve, delivery head up to 20m (66ft) max, IN 24Vac/Vdc

WASEX2T4GOR Tank 10l with integrated manual pump controlled by EAC EX certified solenoid valve, delivery head up to 20m (66ft) max, IN 24Vac/Vdc

WASEX2T4IN Tank 10l with integrated manual pump controlled by INMETRO certified solenoid valve, delivery head up to 20m (66ft) max, IN 24Vac/Vdc

OCTEXP3/4C Conduit cable gland nickel-plated brass 3/4" NPT IECEX-ATEX- c CSA us - EAC Ex

BRACKETS AND ADAPTORS

NXWBS1 AISI 316L stainless steel wall bracket with joint

MHXWFWCA AISI316L stainless steel ball joint

NXFWBT AISI 316L stainless steel parapet mounting bracket

NXCOL AISI 316L stainless steel pole adapter module

NXCW AISI 316L stainless steel corner adapter module

PACKAGE

Model Number	Weight	Dimensions (WxHxL)	Master carton
MVX2BOWA000A	12.5kg (28lb)	60x30x60cm (24x12x24in)	-

MVX RANGE - MULTIPOLAR CABLE		
Certification	Marking	Environment temperature
ATEX	Ⓜ II 2 G Ex d IIC T5 Gb Ⓜ II 2 D Ex tb IIIC T100°C Db IP66/IP68	-60°C ≤ Ta ≤ +65°C
	Ⓜ II 2 G Ex d IIC T6 Gb Ⓜ II 2 D Ex tb IIIC T85°C Db IP66/IP68	-60°C ≤ Ta ≤ +55°C
IECEX	Ex d IIC T5 Gb Ex tb IIIC T100°C Db IP66/IP68	-60°C ≤ Ta ≤ +65°C
	Ex d IIC T6 Gb Ex tb IIIC T85°C Db IP66/IP68	-60°C ≤ Ta ≤ +55°C
INMETRO	Ex d IIC T5 Gb Ex tb IIIC T100°C Db IP66/IP68	-60°C ≤ Ta ≤ +65°C
	Ex d IIC T6 Gb Ex tb IIIC T85°C Db IP66/IP68	-60°C ≤ Ta ≤ +55°C
EAC Ex	Ex II 2G Ex d IIC T5 Gb Ex II 2D Ex tb IIIC T100°C Db IP66/IP68	-60°C ≤ Ta ≤ +65°C
	Ex II 2G Ex d IIC T6 Gb Ex II 2D Ex tb IIIC T85°C Db IP66/IP68	-60°C ≤ Ta ≤ +55°C

MVX FAMILY - CABLE TAIL		
Certification	Marking	Environment temperature
ATEX	Ⓜ II 2 G Ex d IIC T5 Gb Ⓜ II 2 D Ex tb IIIC T100°C Db IP66/IP68	-50°C ≤ Ta ≤ +65°C
	Ⓜ II 2 G Ex d IIC T6 Gb Ⓜ II 2 D Ex tb IIIC T85°C Db IP66/IP68	-50°C ≤ Ta ≤ +55°C
IECEX	Ex d IIC T5 Gb Ex tb IIIC T100°C Db IP66/IP68	-50°C ≤ Ta ≤ +65°C
	Ex d IIC T6 Gb Ex tb IIIC T85°C Db IP66/IP68	-50°C ≤ Ta ≤ +55°C
INMETRO	Ex d IIC T5 Gb Ex tb IIIC T100°C Db IP66/IP68	-50°C ≤ Ta ≤ +65°C
	Ex d IIC T6 Gb Ex tb IIIC T85°C Db IP66/IP68	-50°C ≤ Ta ≤ +55°C
EAC Ex	Ex II 2G Ex d IIC T5 Gb Ex II 2D Ex tb IIIC T100°C Db IP66/IP68	-50°C ≤ Ta ≤ +65°C
	Ex II 2G Ex d IIC T6 Gb Ex II 2D Ex tb IIIC T85°C Db IP66/IP68	-50°C ≤ Ta ≤ +55°C
Hazardous Location America	Class I Zone 1 AEx d IIC T5 Gb Class I Div 2 Group A, B, C & D T5 Zone 21 AEx tb IIIC T100°C Db Class II Div 2 Group E, F & G T100°C	-50°C ≤ Ta ≤ +65°C
	Class I Zone 1 AEx d IIC T6 Gb Class I Div 2 Group A, B, C & D T6 Zone 21 AEx tb IIIC T85°C Db Class II Div 2 Group E, F & G T85°C	-50°C ≤ Ta ≤ +55°C
Hazardous Location Canada	Ex d IIC T5 Gb Class I Div 2 Group A, B, C, D T5 Ex tb IIIC T100°C Db Class II Div 2 Group E, F and G T100°C	-50°C ≤ Ta ≤ +65°C
	Ex d IIC T6 Gb Class I Div 2 Group A, B, C, D T6 Ex tb IIIC T85°C Db Class II Div 2 Group E, F and G T85°C	-50°C ≤ Ta ≤ +55°C

MAXIMUS MVX- CONFIGURATION OPTIONS WITH CABLE GLAND WITH GASKET AND SHIELDED CABLE

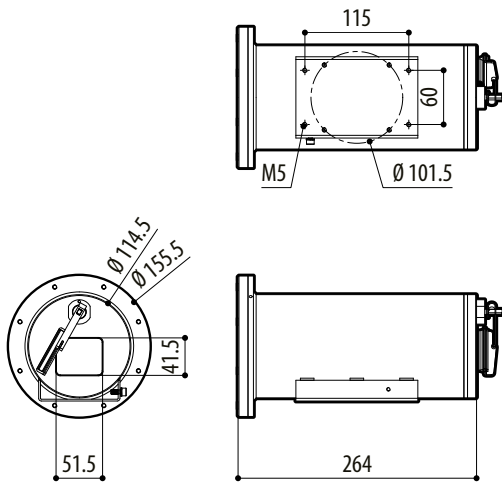
	Voltage	Camera		Connections	Video output	Models	
MVX	2 12-24Vdc/ 24Vac	PO Day/Night camera 36x optical zoom lens, PAL	W With wiper	A Cable gland with gasket Ex d 3/4" NPT and 4m (13ft) armored cable	0 Analog control	00 T5 -60°C/+65°C	A
		NO Day/Night camera 36x optical zoom lens, NTSC		B Cable gland with gasket Ex d 3/4" NPT and 10m (33ft) armored cable		02 T6 -60°C/+55°C	

MAXIMUS MVX- CONFIGURATION OPTIONS WITH CABLE TAIL

	Voltage	Camera		Connections	Video output	Models	
MVX	2 12-24Vdc/ 24Vac	PO Day/Night camera 36x optical zoom lens, PAL	W With wiper	F 4m (13ft) cable tail	0 Analog control	01 T5 -50°C/+65°C	A
		NO Day/Night camera 36x optical zoom lens, NTSC		G 10m (33ft) cable tail		03 T6 -50°C/+55°C	

TECHNICAL DRAWINGS

Sizes in millimeters.



MAXIMUS MVX