

VideoXpert™ Storage

450 MBPS RECORDING THROUGHPUT, UP TO 96 TB RAW CAPACITY, RAID 6

Product Features

- Recording throughput up to 450 Mbps (300 Streams) meets demanding performance requirements for write-intensive applications
- Hardware designed to eliminate single points of failure, including RAID 6 Storage for optimum reliability
- Includes support for 3rd party cameras without a translation interface
- ONVIF compliant: Supports ONVIF S compliant cameras and devices
- Multicast recording support allows for recording of multicast data streams for restricted bandwidth scenarios
- Failover and redundant recording maximizes system uptime for mission-critical applications
- Serves up to 32 simultaneous playback streams independently of recording throughput



- Includes support for audio recording and playback for Pelco cameras
- Includes VideoXpert Storage software with 3-year upgrade plan and full platform support
- Does not require per-channel licensing
- Performance Levels Maintained during RAID Error Conditions

VideoXpert™ Storage (VXS) is a RAID 6, high-availability recording platform that captures, stores, and serves recorded video for your VideoXpert system. As a high-density platform, VideoXpert Storage has double the capacity of any recorder previously available to VideoXpert.

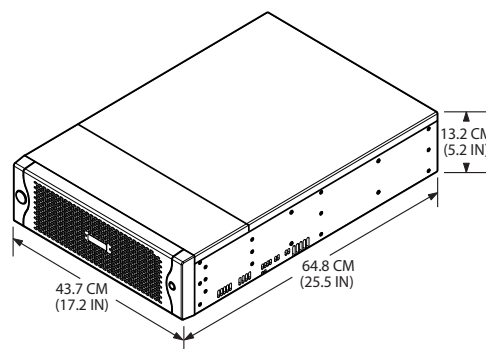
The VideoXpert Storage hardware platform is designed to maximize uptime and ensure that you never lose access to your mission-critical video data. Its RAID 6 storage configuration provides double parity protection of recorded data; the hard drive bay is cooled through the use of high capacity, redundant fans to ensure that the drives are kept at an optimum operating temperature; and its fully redundant power supplies guard against power supply failures.

The platform’s operating system is contained on an SSD, freeing more space for video and ensuring high reliability as well as maximizing performance and throughput. Hard drives belonging to the RAID array are front-loading and hot-swappable, making it easy to remove and replace failed drives. VideoXpert Storage servers also maintain performance levels in both normal and RAID error conditions, preventing dips in performance and ensuring that users can always obtain the video they need through VideoXpert.

VideoXpert Storage hardware includes the Storage software, complete with a 3-year upgrade plan and Pelco support. The hardware platform does not require per-channel licensing; there are no recurring costs associated with recording cameras.

The Storage platform maximizes support for recording groups within VideoXpert. It allows you to configure pre- and post-event recording periods within VideoXpert, so that you capture the appropriate amount of video for any event. You can also configure “bump-on-alarm” recording schedules. You can set VideoXpert Storage to operate using unicast or multicast streams, making Storage easily adaptable to your surveillance network. VideoXpert Storage also supports failover and redundant recording schemes, ensuring your video remains available even if a single Storage server in the cluster fails.

The VideoXpert Storage platform natively supports third-party IP cameras as well as Optera cameras, so you can bring your 3rd party cameras into VideoXpert without expensive translation interfaces. Using VideoXpert Storage, your third-party cameras appear and operate within VideoXpert just as native Pelco cameras.



TECHNICAL SPECIFICATIONS

MODELS

Your model number consists of your VideoXpert software distribution, the base model (VXS), the total storage capacity, and country code, if you want the unit shipped with a particular power cord. For example, an ultimate model with 96 TB storage with a US power cord is modeled as U1-VXS-96-US.

Distribution	Model	Storage (in TB)	Country Code (optional)
(Ultimate) U1 (Enterprise) E1	VXS	48	US = North America EUK = Europe/United Kingdom
		72	
		96	

SUPPLIED ACCESSORIES

USB drive	Contains resource and recovery information
Rack Mount Kit	Brackets, rails, and hardware
Power cord	For applicable models, otherwise, order the PWRCRD model supporting your region

OPTIONAL ACCESSORIES

VXS-HDD-6TB	Replacement 6 TB hard drive and carrier for VXS Models
PWRCRD-S-AR	Standard power cord, Argentina
PWRCRD-S-AU	Standard power cord, Australia

SYSTEM

Processor	Intel Xeon E3-1276 v3
Memory	32 GB DDR3 ECC
Operating System	Microsoft Windows Server 2012
SSD Storage (OS)	200 GB
Raid Level	RAID 6
Effective Capacity	
VXS-48	32.70 TB
VXS-72	54.50 TB
VXS-96	76.40 TB
Drive Interface	SAS/SATA II
USB Ports	
USB 2.0	2 front, 2 rear
USB 3.0	2 rear

NETWORK

Interface	2, 1 Gbps Ethernet RJ-45 ports (1000Base-T)
Recording Throughput	300 Streams/450 Mbps
Viewing Throughput	32 Streams/176 Mbps

FRONT PANEL INDICATORS

Unit Status	Blue, red, off
Primary Network	Green, off
Secondary Network	Green, off
Hard Disk Status	
OS Drive (SSD)	Amber, off
RAID Drives (HDD)	Blue, red, off
Power Status	Green, off
Power Fail Status	Red, off

POWER

Power Input	100 to 240 VAC, 50/60 Hz, autoranging
Power Supply	Internal, redundant
Power Consumption*	Operating Average
120 VAC	
48 TB	308 W, 2.57 A, 1051 BTU/H
72 TB	361 W, 3.01 A, 1231 BTU/H
96 TB	414 W, 3.45 A, 1411 BTU/H
240 VAC	
48 TB	302 W, 1.26 A, 1031 BTU/H
72 TB	354 W, 1.48 A, 1209 BTU/H
96 TB	406 W, 1.69 A, 1386 BTU/H

*Power budgets represent worst-case scenarios. Actual power consumption may vary based on workload and environment, but a power budget estimate is usually 20%-25% greater than actual power measurements when using the Linpack HPL workload application.

ENVIRONMENTAL

Operating Temperature	10° to 35°C (32° to 95°F) at unit air intake
Storage Temperature	-40° to 60°C (-40° to 140°F)
Relative Humidity	
Operating	20% to 95%, noncondensing
Non-Operating	5% to 95%, noncondensing
Operating Altitude	-16 to 3,048 m (-50 to 10,000 ft)
Operating Vibration	0.25 G at 3 Hz to 200 Hz at a sweep rate of 0.5 octave/minute

Note: The temperature at the unit air intake, measured at the front of the bezel, can be significantly higher than room temperature. Temperature is affected by rack configuration, floor layout, air conditioning strategy, and other issues. To prevent hard disk drive failure and unit damage, make sure the temperature at the air intake of the unit is continuously within the operating temperature range.

PHYSICAL

Construction	Steel and plastic cabinet
Finish	
Front Panel	Dark gray with metallic silver end caps
Chassis	Silver
Dimensions (without rails)	64.8 x 43.7 x 13.2 cm (25" D x 17.2" W x 5.2" H)
Unit Weight	35.5 kg (78 lb)
Mounting (RU)	3 RU (rack rails and hardware supplied)

CERTIFICATIONS/RATINGS

- CE, Class A
- FCC, Class A
- ICES-003
- UL/cUL Listed
- C-Tick
- CCC*
- KCC

*At the time of this publication, certifications are pending. Consult the factory or www.pelco.com for the current status of certifications.

Pelco by Schneider Electric

3500 Pelco Way, Clovis, California 93612-5699 United States

USA & Canada Tel (800) 289-9100 Fax (800) 289-9150

International Tel +1 (559) 292-1981 Fax +1 (559) 348-1120

www.pelco.com www.pelco.com/community

Pelco, the Pelco logo, and other trademarks associated with Pelco products referred to in this publication are trademarks of Pelco, Inc. or its affiliates. ONVIF and the ONVIF logo are trademarks of ONVIF Inc. All other product names and services are the property of their respective companies.

Product specifications and availability are subject to change without notice.

©Copyright 2016, Pelco, Inc. All rights reserved.