



Mounting plate for 19 inch racks



- ▶ 4 rack units/ 88 horizontal pitches
- ▶ Up to four rails for AMC devices
- ▶ Battery bracket
- ▶ Screw socket for PBC-60
- ▶ Cable kits to connect the power supply

Mounting plate in two variants to install in 19" racks.

Functions

Two 19" mounting plate models are available for rack mounting the AMC2. Choose the variant which best suits your purposes based on the following considerations:

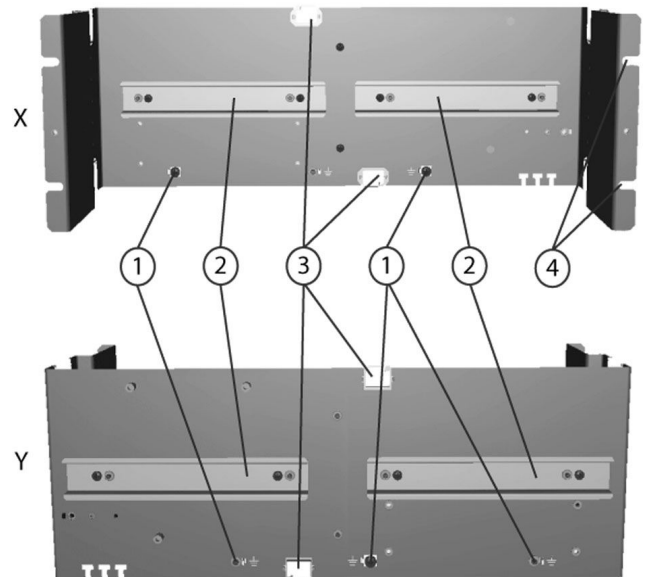
Choose mounting plate AEC-PANEL19-UPS if you wish to supply power using the PBC-60 and in addition up to 2 rechargeable batteries. This variant comes with a cable kit which provides pre-mounted partial wiring for power supplies.

Choose mounting plate AEC-PANEL19-4DR if your power supply is external. In this case the rack mounting can hold up to 4 AMC devices in any combination.

Installation/Configuration Notes

Each mounting plate requires 4 rack units (U) and 88 horizontal pitches (HP).

Front and Back of the AEC-PANEL19-4DR:



X = Front view; Y = Rear view

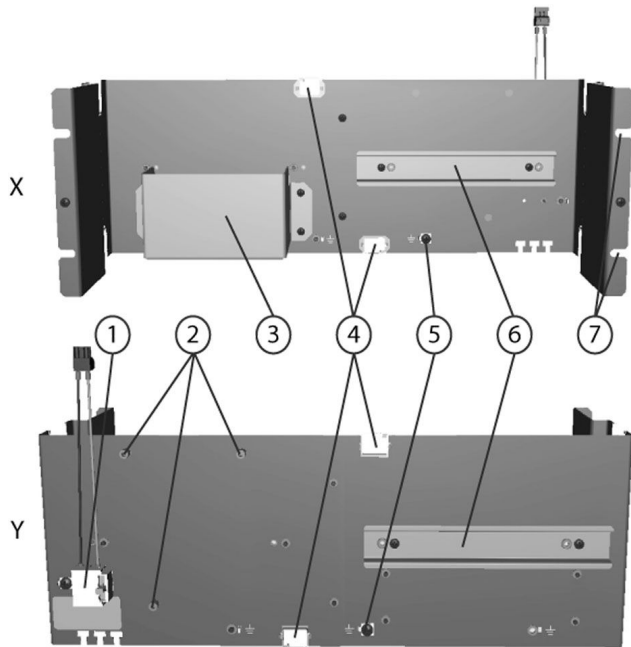
1 = Grounding connections (pre mounted)

2 = DIN rails (pre mounted)

3 = Cable channels

4 = Cut-outs for fixing the mounting plate in 19" enclosures

Front and Back of the AEC-PANEL19-UPS:



X = Front view; Y = Rear view

- 1 = Power supply connections (pre mounted)
- 2 = Screw sockets (pre mounted) for holding the PBC-60 power supply
- 3 = Battery bracket
- 4 = Cable channels
- 5 = Grounding connection (pre mounted)
- 6 = DIN Rails (pre mounted)
- 7 = Cut-outs for fixing the mounting plate in 19" enclosures

Ordering Information

AEC-PANEL19-4DR - Mounting plate with four DIN rails **AEC-PANEL19-4DR**
 Mounting plate with four DIN rails for 19" racks to connect max. four AMC2 devices.

AEC-PANEL19-UPS - Mounting plate with two DIN rails **AEC-PANEL19-UPS**
 Mounting plate with two DIN rails, a battery bracket, and screw sockets for the power supply to mount into 19" racks.

Parts Included

AEC-PANEL19-4DR

Mounting plate with

- Four rails (pre mounted)
- Mounting description

AEC-PANEL19-UPS

- Mounting plate with
- Two rails (pre mounted)
- Battery bracket for two Accu's (pre mounted)
- Screw sockets for PBC-60 (pre mounted)
- Power supply connections (pre mounted)
- Cable kit
- Mounting description

Americas:
 Bosch Security Systems, Inc.
 130 Perinton Parkway
 Fairport, New York, 14450, USA
 Phone: +1 800 289 0096
 Fax: +1 585 223 9180
 security.sales@us.bosch.com
 www.boschsecurity.us

Europe, Middle East, Africa:
 Bosch Security Systems B.V.
 P.O. Box 80002
 5600 JB Eindhoven, The Netherlands
 Phone: + 31 40 2577 284
 Fax: +31 40 2577 330
 emea.securitysystems@bosch.com
 www.boschsecurity.com

Asia-Pacific:
 Robert Bosch (SEA) Pte Ltd, Security Systems
 11 Bishan Street 21
 Singapore 573943
 Phone: +65 6258 5511
 Fax: +65 6571 2698
 apr.securitysystems@bosch.com
 www.boschsecurity.com

Represented by