

# Ultra Megapixel Lenses

www.boschsecurity.com



**BOSCH**  
Invented for life



- ▶ Ultra megapixel optical resolution
- ▶ Telephoto range for details at a distance
- ▶ High-quality optics
- ▶ Reliable, robust construction

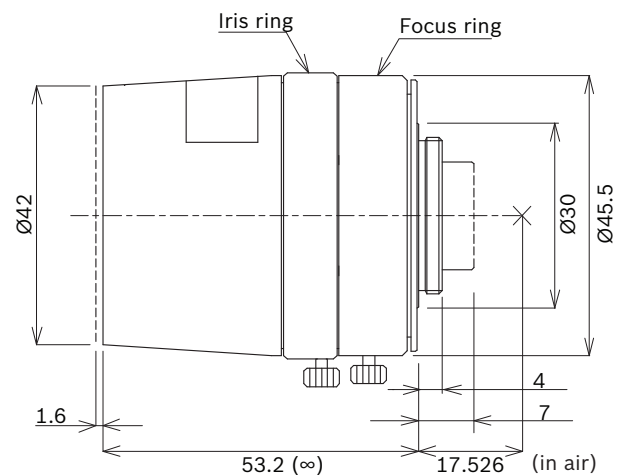
As cameras can now capture even higher picture resolutions through the use of megapixel sensor technology and advanced processing, the lenses also need to have an optical resolution that allows the camera to work at its optimal point. These lenses provide long and reliable operation with no maintenance. They are designed to provide detailed coverage at long distances in applications such as stadiums or perimeter monitoring.

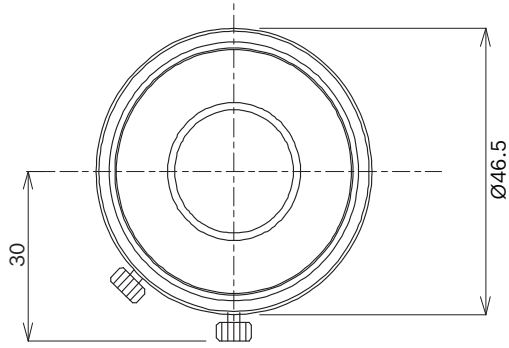
## System overview

The lenses have a standard C mount for use with a variety of cameras. They deliver impressive optical quality as a result of their ultra megapixel resolution, contrast reproduction, and coating. The mechanical construction is designed to withstand the environmental stress of surveillance installations. For flexible, high-quality, reliable lenses that match a megapixel camera's performance, these lenses are the ideal solution.

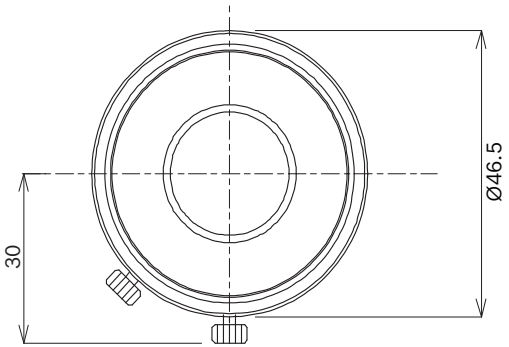
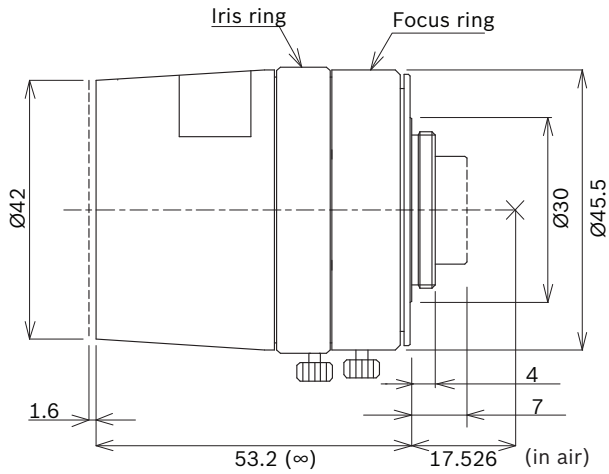
## Installation/configuration notes

### Dimensions LFF-8012C-D35

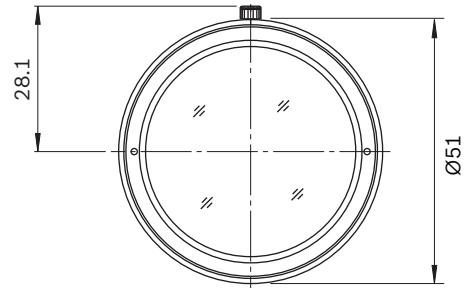
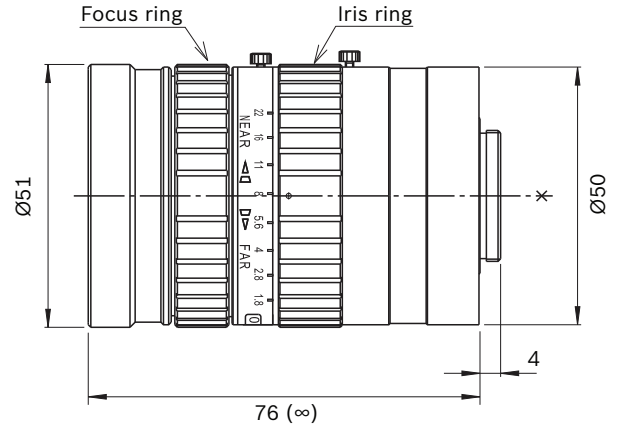




**Dimensions LFF-8012C-D50**



**Dimensions LFF-8012C-D75**



**Technical specifications**

Optical	LFF-8012C-D35	LFF-8012C-D50	LFF-8012C-D75
Maximum sensor format (diagonal)	2/3-inch (16.9 mm)	2/3-inch (16.9 mm)	2/3-inch (16.9 mm)
Focal length	35 mm	50 mm	75 mm
Iris range	F1.8, F2.8, F4, F8, F16	F2, F2.8, F4, F8, F16	F1.8, F2, F2.8, F4, F8, F16, F22
Min object distance	1 m (3.3 ft)	2 m (6.56 ft)	0.9 m (3.3 ft)
Back focal length	14.3 mm (0.56 in)	14.8 mm (0.58 in)	24.43 mm (0.96 in)
Iris control	manual	manual	manual
Focus control	manual	manual	manual
IR corrected	yes	yes	no

## Angle of view with DINION IP ultra 8000 MP (DxHxV)

	LFF-8012C-D35	LFF-8012C-D50	LFF-8012C-D75
12MP mode (4:3)	12.3x9.8x7.4°	8.5x6.8x5.1°	5.9x4.7x3.6°
4K UHD mode (16:9)	10.8x9.4x5.3°	7.5x6.6x3.7°	5.2x4.5x2.6°

## Mechanical

	LFF-8012C-D35	LFF-8012C-D50	LFF-8012C-D75
Weight	149 g (0.33 lb)	155 g (0.34 lb)	305 g (0.67 lb)
Dimensions	Ø 53 x 47 mm	Ø 54 x 47 mm	Ø 51 x 76 mm
Lens mount	C-mount	C-mount	C-mount

## Environmental

Operating Temperature	-10°C to +50°C (+14°F to +122°F)
Storage Temperature	-20°C to +60°C (-4°F to +140°F)
Operating Humidity	Up to 80% non-condensing

## Ordering information

**LFF-8012C-D35 Telephoto megapixel lens**

Fixed telephoto megapixel lens; manual iris, IR corrected, F1.8, 35 mm  
Order number **LFF-8012C-D35**

**LFF-8012C-D50 Telephoto megapixel lens**

Fixed telephoto megapixel lens; manual iris, IR corrected, F2.0, 50 mm  
Order number **LFF-8012C-D50**

**LFF-8012C-D75 Telephoto megapixel lens**

Fixed telephoto megapixel lens; manual iris, F1.8, 75 mm  
Order number **LFF-8012C-D75**

## Represented by:

**Americas:**

Bosch Security Systems, Inc.  
130 Perinton Parkway  
Fairport, New York, 14450, USA  
Phone: +1 800 289 0096  
Fax: +1 585 223 9180  
security.sales@us.bosch.com  
www.boschsecurity.us

**Europe, Middle East, Africa:**

Bosch Security Systems B.V.  
P.O. Box 80002  
5617 BA Eindhoven, The Netherlands  
Phone: + 31 40 2577 284  
Fax: +31 40 2577 330  
emea.securitysystems@bosch.com  
www.boschsecurity.com

**Asia-Pacific:**

Robert Bosch (SEA) Pte Ltd, Security Systems  
11 Bishan Street 21  
Singapore 573943  
Phone: +65 6571 2808  
Fax: +65 6571 2699  
apr.securitysystems@bosch.com  
www.boschsecurity.asia

**China:**

Bosch (Shanghai) Security Systems Ltd.  
203 Building, No. 333 Fuquan Road  
North IBP  
Changning District, Shanghai  
200335 China  
Phone +86 21 22181111  
Fax: +86 21 22182398  
www.boschsecurity.com.cn

**America Latina:**

Robert Bosch Ltda Security Systems Division  
Via Anhanguera, Km 98  
CEP 13065-900  
Campinas, Sao Paulo, Brazil  
Phone: +55 19 2103 2860  
Fax: +55 19 2103 2862  
latam.boschsecurity@bosch.com  
www.boschsecurity.com