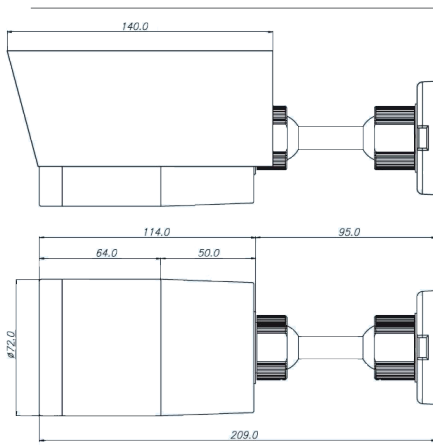




## The performance features at a glance

- Integrated IR-LEDs
- 3,0mm - 9,0mm DC-Iris Objektiv
- 1/3" Sony HAD II CCD / Pixim CMOS
- 12VDC / 24VAC
- IP67
- Cable feed-through bracket
- 600 TVL / 690 TVL (WDR-Version)



## High versatility

The Bulletcameras with protection class IP67 from the 8039er series convince by excellent picture quality, thanks to the built-in 3.0 - 9.0 mm lens. Many applications can meet the high quality bullet camera by it.

## Outstanding advantages

You can choose whether the camera is powered by 24VDC or 12VAC. Thanks to the supplied bracket through which the cable assembly is designed to easily and quickly.

## High-performance technology

Depending on the requirements, the ZC-Series BX8039er provides you with different models, in this case, you have the choice between the version with digital- (ZC-BX8039PBA) or with mechanical Day-/Night switching (ZC-BNX8039PBA). The ZC-BWNX8039PBA has got additionally a WDR function.

## Other special features

Also integrated are high-power IR LEDs. These provide even in complete darkness clear images. In the BX version the setting for zoom and focus is external.

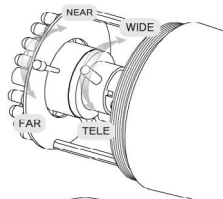
## Order data

Order number	Product description
ZC-BX8039PBA digital Day/Night ZC-BNX8039PBA mechan. Day/Night ZC-BWNX8039PBA plus WDR	Outdoor camera IP67 with varifocal lens 3.0 - 9.0 mm, DC iris (F1.2), 1/3" IT-CCD/CMOS, 600/690 lines, 0 lux (IR on), 24 integrated IR LEDs, 12 VDC/24 VAC, cable routing through the wall bracket

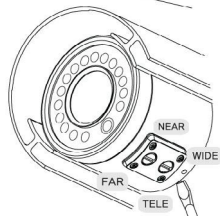
# Bulletcameraseries ZC-BX8039PBA



BT



BX



## Advantages for the installer

Installation and setup are completed quickly. By OSD settings can be done directly at the camera as necessary. The result can be achieved by connecting a monitor service as the ZM-L406P-II check directly.

Technical specifications	ZC-BX8039PBA	ZC-BNX8039PBA	ZC-BWNX8039PBA
Videosystem	PAL		
Scanning system	2 :1 Interlaced		
Sensor	1/3" Sony HAD II CCD		1/3" Pixim CMOS
Effective pixel ( H x V)	752 (H) x 582 (V)		
Videoutput	1.0Vp-p 75 Ohm BNC		
Horizontal lines	600 TVL		690 TVL
Minimal illumination (50IRE)	0,0 lux (IR on)		
Day-/Nightswitching	Digital	Mechanical	
Lens	3,0 mm - 9,0 mm		
Elektronic Shutter	1/50, FLK, 1/50 ~ 1/100000		
White balance	ATW1, ATW, AWC, Manual		
WDR	Yes (digital)		Yes
HLC	Yes		
Motion detection	Yes		
Privacy Masking	Yes		
DNR	Yes (2D)		
IR	15m distance		
Signal-to-noise ratio	>50 dB		
Operating voltage	12V DC / 24V AC		
Power consumption	6,5 Watt @ 12VDC, 5,7 Watt @ 24VAC		
Operating temperature	-20°C - 50°C		
Dimensions (Ø x H)	72mm x 209mm		
Weight	750g		

**CBC (Deutschland) GmbH**  
Hansaallee 191  
D-40549 Düsseldorf  
T: +49-(0)211 53 06 70  
F: +49-(0)211 53 06 71 80  
info@cbc-de.com  
www.cbc-de.com

**CBC (Poland) Sp.z.o.o**  
Oddzial w Warszawie  
Ul. Krasynskiego 41A  
PL-01-755 Warsaw  
T: +48-(0)22 6 33 90 90  
F: +48-(0)22 6 33 90 60  
info@cbcpoland.pl  
www.cbcpoland.pl

**CBC Russia Moscow Rep. office**  
Office 503B World Trade Center  
12 Krasnopresnenskaya nab.  
RU-1123610 Moscow  
T: +7-495 258 2161  
F: +7-495 258 2160  
info@cbc.ru  
www.cbc.ru

**CBC (Europe) Ltd. Ufficio di Milano**  
Via E. Majorana, 2  
I-20834 Nova Milanese (MB)  
T: +39-0362 36 50 79  
F: +39-0362 4 00 12  
info@cbceurope.it  
www.cbceurope.it

**CBC CORPORATION (INDIA), PRIVATE LTD**  
2F B Wing, Marwah Centre  
Krishanalal Marwah Marg  
Andheri East, Mumbai 400 072, India  
T: +91 22 2857 9798  
F: +91 22 6649 1708  
enquiry@cbcindia.jp

**CBC (Europe) Ltd.**  
7/8 Garrick Industrial Centre  
Irving Way  
UK-NW9 6AQ London  
T: +44-(0)20 87 32 33 10  
F: +44-(0)20 82 02 33 87  
info@cbcuk.com  
www.cbceurope.com